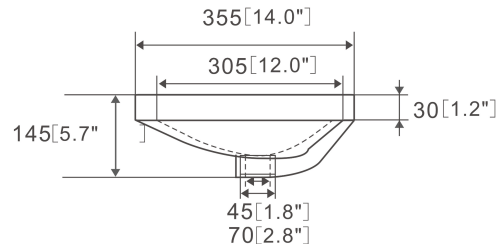
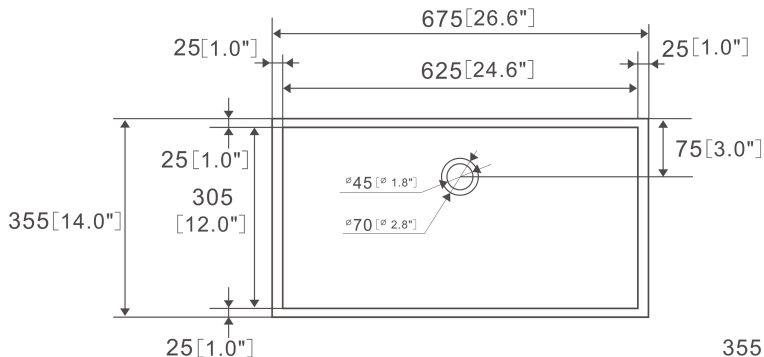




EB22715

RECTANGULAR LAVATORY SINK

- White Ceramic
- Overflow Drain Hole
- Rear Drain
- Undermount Installation
- No Faucet Holes
- Clips Included
- Meets cUPC Standards
- 26 1/2" x 14" x 6" nominal OD
- 24 1/2" x 12" x 5" nominal ID



Customer Support:

Call : (973)-482-4444

e-mail: info@emoryandbond.com

www.emoryandbond.com



@emoryandbond