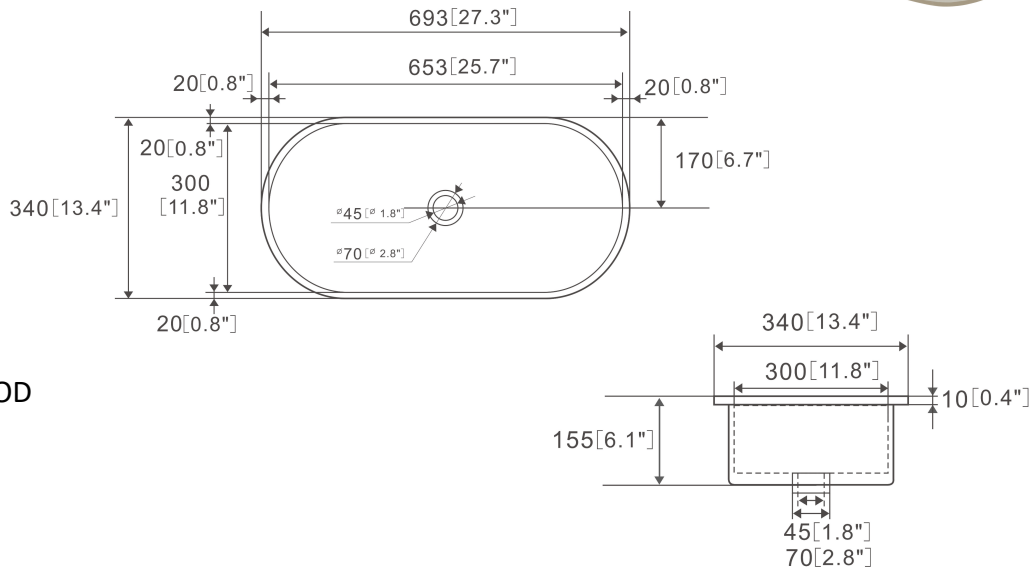




# EB22714

## OVAL LAVATORY SINK

- White Ceramic
- Overflow Drain Hole
- Center Drain
- Undermount Installation
- No Faucet Holes
- Clips Included
- Meets cUPC Standards
- 27" x 13 1/2" x 6" nominal OD
- 25" x 12" x 5" nominal ID



### Customer Support:

Call : (973)-482-4444

e-mail: [info@emoryandbond.com](mailto:info@emoryandbond.com)

[www.emoryandbond.com](http://www.emoryandbond.com)



@emoryandbond