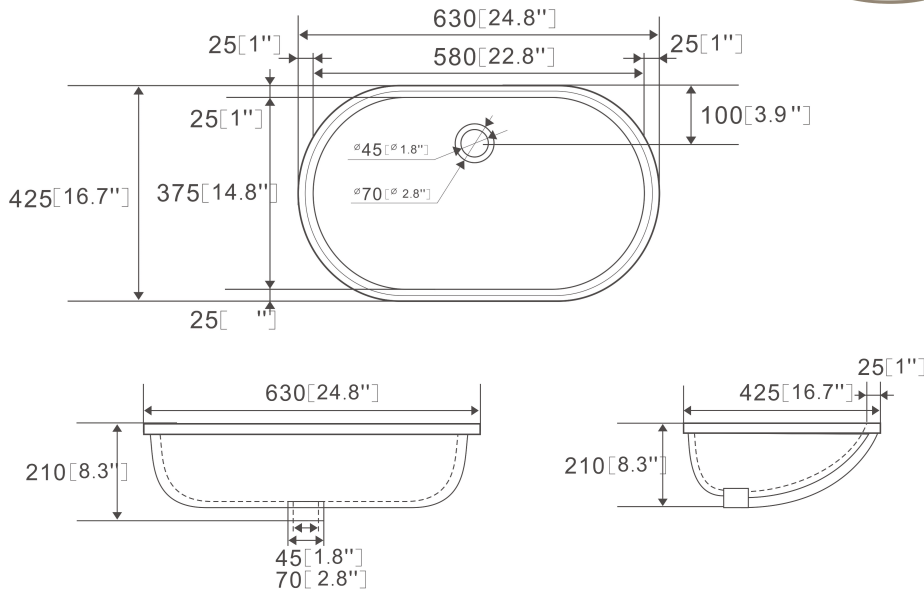




## EB22516

### OVAL LAVATORY SINK

- White Ceramic
- Overflow Drain Hole
- Rear Drain
- Undermount Installation
- No Faucet Holes
- Clips Included
- Meets cUPC Standards
- 25" x 16 3/4" x 8" nominal OD
- 23" x 14 3/4" x 7" nominal ID



#### Customer Support:

Call : (973)-482-4444

e-mail: [info@emoryandbond.com](mailto:info@emoryandbond.com)

[www.emoryandbond.com](http://www.emoryandbond.com)



@emoryandbond