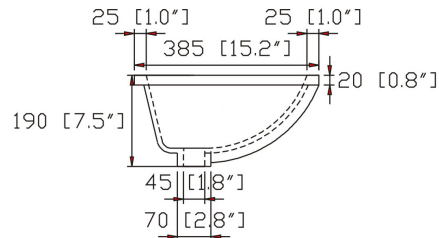
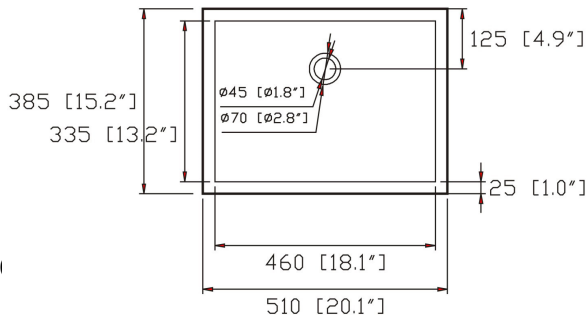




# EB21813

## RECTANGULAR LAVATORY SINK

- White Ceramic
- Overflow Drain Hole
- Rear Drain
- Undermount Installation
- No Faucet Holes
- Clips Included
- Meets cUPC Standards
- 20" x 15" x 7 1/2" nominal
- 18" x 13" x 6" nominal ID



### Customer Support:

Call : (973)-482-4444

e-mail: [info@emoryandbond.com](mailto:info@emoryandbond.com)

[www.emoryandbond.com](http://www.emoryandbond.com)



@emoryandbond