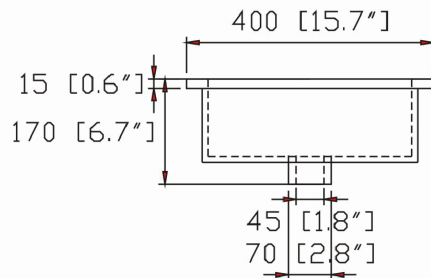
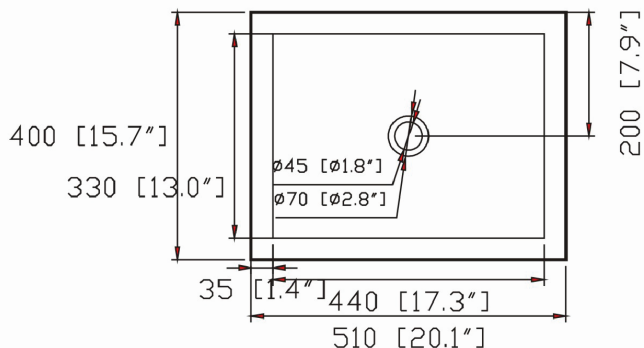




EB21713

RECTANGULAR LAVATORY SINK

- White Ceramic
- Overflow Drain Holes (3)
- Center Drain
- Undermount Installation
- No Faucet Holes
- Clips Included
- Meets cUPC Standards
- 20" x 16" x 7" nominal OD
- 17" x 13" x 6" nominal ID



Customer Support:

Call : (973)-482-4444

e-mail: info@emoryandbond.com

www.emoryandbond.com



@emoryandbond