



JOB NAME: \_\_\_\_\_ SPECIFIER: \_\_\_\_\_ PCS: \_\_\_\_\_  
DATE REQUIRED: \_\_\_\_\_ NOTE: \_\_\_\_\_

## EB-20076

- Vitreous china
- S-trap, 300mm/11.8" roughing-in
- 450mm/17.7" from seat bolt to front
- 395mm/15.6" height of bowl
- 0.92Gpf/3.5Lpf single flush
- 50mm/2" tank outlet
- 50mm/2" fully-glazed trapway
- Minimum of MaP test: 800g
- Nominal Dimensions:
- 685x380x705mm/27x14.2x27.8"

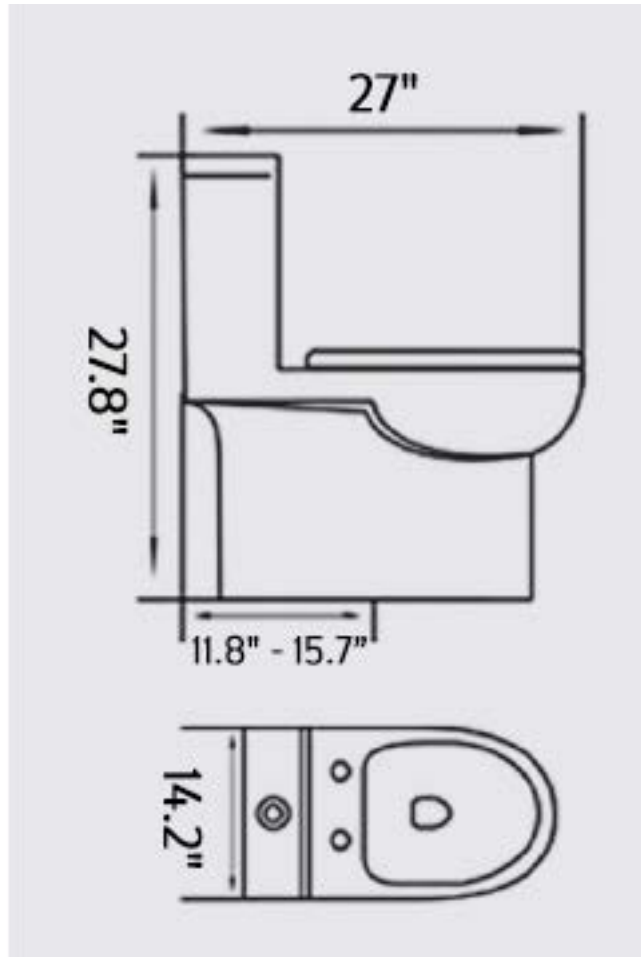
COLOR: WHITE

## CODES & STANDARDS

Meets or exceeds the following:

- ASME A112.19.2-2013
- IAPMO/cUPC
- CSA B45.1-13
- HET (High Efficiency Toilet)
- EPA WaterSense

## SIPHONIC ONE-PIECE TOILET



Dimensions may vary (+) or (-) 1/4". Dimensions shown in parentheses are in millimeters: 25.4 mm = 1 inch. Note: Fixture dimensions are nominal and conform with dimension and performance requirements of ASME A112.19.2-2013/CSA B45.1-13 standards. Emory & Bond is not responsible for the use of superseded or voided specification information.

[www.emorybond.com](http://www.emorybond.com)

**Customer Support:**

Call : (973)-482-4444

e-mail: [info@emoryandbond.com](mailto:info@emoryandbond.com)



@emoryandbond