



JOB NAME: _____ SPECIFIER: _____ PCS: _____
DATE REQUIRED: _____ NOTE: _____

EB-20072

- Vitreous china
 - S-trap, 12" roughing-in
 - 18.3/4" from seat bolt to front
 - 15 3/4" height of bowl
 - 1.28Gpf/4.8Lpf single flush
 - 76mm/3" tank outlet
 - 50mm/2" fully-glazed trapway
 - Minimum of MaP test: 800g Nominal
- Dimensions:
· 730x460x750mm/28.7x18.1x29.5"

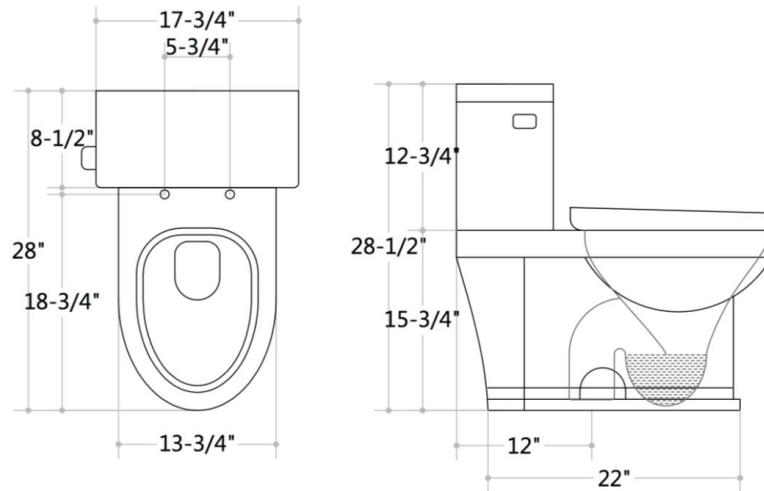
COLOR: WHITE

CODES & STANDARDS

Meets or exceeds the following:

- ASME A112.19.2-2013
- IAPMO/cUPC
- CSA B45.1-13
- HET (High Efficiency Toilet)
- EPA WaterSense

SIPHONIC ONE-PIECE TOILET



Dimensions may vary (+) or (-) 1/4". Dimensions shown in parentheses are in millimeters: 25.4 mm = 1 inch. Note: Fixture dimensions are nominal and conform with dimension and performance requirements of ASME A112.19.2-2013/CSA B45.1-13 standards. Emory & Bond is not responsible for the use of superseded or voided specification information.

Customer Support:

Call : (973)-482-4444

e-mail: info@emoryandbond.com

www.emorybond.com



@emoryandbond