



JOB NAME: _____ SPECIFIER: _____ PCS: _____
DATE REQUIRED: _____ NOTE: _____

EB-20065

- Vitreous china
- S-trap, 300mm/11.8" roughing-in
- 470mm/18.5" from seat bolt to front
- 405mm/15.9" height of bowl
- 0.92Gpf/3.5Lpf single flush
- 76.2mm/3" tank outlet
- 43mm/1.7" fully-glazed trapway
- Minimum of MaP test: 800g
- Nominal Dimensions:
- 710x404x742mm/28x15.9x29.2"

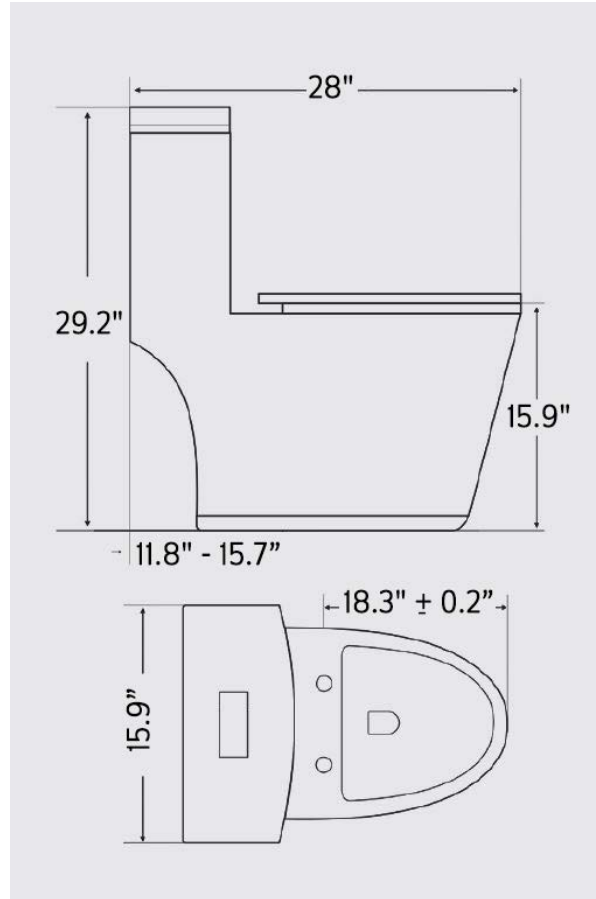
COLOR: WHITE

CODES & STANDARDS

Meets or exceeds the following:

- ASME A112.19.2-2013
- IAPMO/cUPC
- CSA B45.1-13
- HET (High Efficiency Toilet)
- EPA WaterSense

SIPHONIC ONE-PIECE TOILET



Dimensions may vary (+) or (-) 1/4". Dimensions shown in parentheses are in millimeters: 25.4 mm = 1 inch. Note: Fixture dimensions are nominal and conform with dimension and performance requirements of ASME A112.19.2-2013/CSA B45.1-13 standards. Emory & Bond is not responsible for the use of superceded or voided specification information.

www.emorybond.com

Customer Support:

Call : (973)-482-4444

e-mail: info@emoryandbond.com



@emoryandbond