

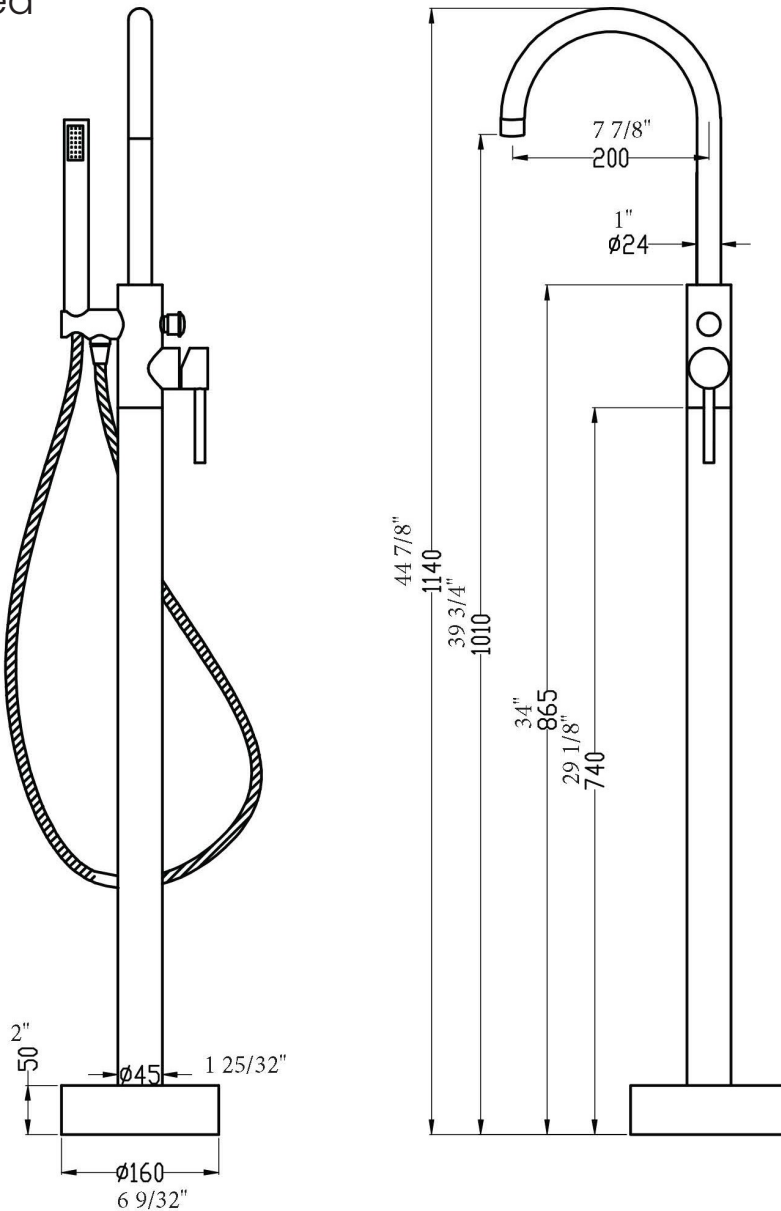
EMORY & BOND

EB11003PC

Floor Mounted Freestanding Tub Filler

- Includes handshower
- Stem-type handle and pull-out diverter
- Polished Chrome finish
- 35mm ceramic disc cartridge
- Gooseneck spout
- Solid brass construction
- Concealed bracket
- Round, brass base cover
- 60" stainless steel hose

ASME A112.18.1-2018/CSA B125.1-18 compliant
cUPC certified



Customer Support

call: (973) 482-4444

e-mail: info@emoryandbond.com



@emoryandbond