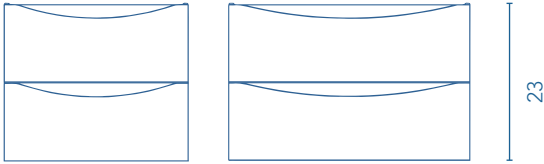


UNITS

Depth 18

28

36

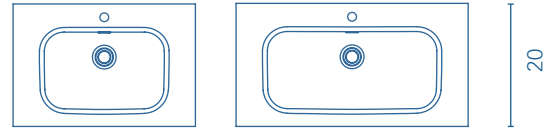


WASHBASIN

Cool

28

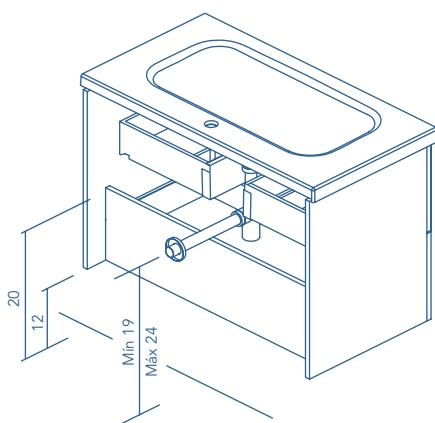
36



TECHNICAL INFORMATION

- STRUCTURE:** High gloss lacquered 5/8 in. board and 5/8 in. melamine board.
- FRONT:** High gloss lacquered 5/8 in. board and 5/8 in. melamine board.
- DRAWER:** Drawers made in grey textile poly laminate coated board with hidden partial extraction runners with soft close system. Includes organizer for small items in upper drawer. Lower drawer useful space (widthxhighxdepth): 20 1/16x45/16x143/4 in.
- WASHBASIN:** Ceramic washbasin with 18 in. depth.
- PIPE DEPTH:** Pipe depth 23/8 in.

SIPHON PLACEMENT



Finishes



GLOSSY WHITE

ANTHRACITE

Customer Support:

Call : (973)-482-4444

e-mail: info@emoryandbond.com

www.emoryandbond.com

@emoryandbond