

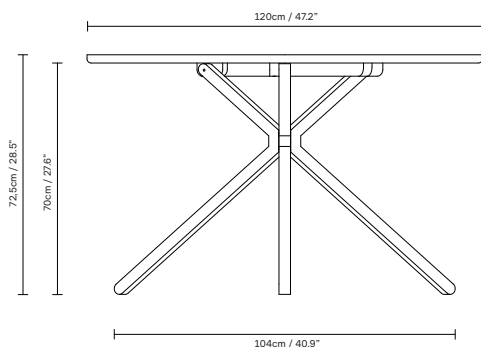


Frisbee Table Ø120

Product Fact Sheet

Frisbee Table Ø120

No. (1255) Frisbee Table Ø120, oak / No. (1256) Frisbee Table Ø120, white oak



Dimensions:

H: 72,5 cm / 28.5", Ø: 75 cm / 29.5"

Product description:

The Frisbee table balances the contrast between the simple and the powerful, bringing both elegance and skilled traditional craftsmanship. The tabletop is made of solid wood with a fine rounded edge. The material of the legs is stainless steel with a sanded surface bringing it a matt finish – an expression of quality and grace. The round table invites dialogue and there is always room for an extra chair. The design of the three legs frees up the legroom and makes it easy to fit up to seven chairs around the table. The Frisbee Table is made for heavy usage and for all desires – hospitality, office, and private use.

Designer's thoughts:

"The inspiration for this table was the question of whether we could make a disc visually float in the air. To create that light expression, the construction is centred in the middle. That makes it possible to sit anywhere around the table without colliding with the legs of the table." - Herman Studio

Finish:



Natural oil treated



White oil treated

Made-to-order:

Non-standard configurations (special colours etc.) are available upon request at a minimum order quantity.

Product type: Table

Environment: Indoor

Material: Solid European oak and stainless steel

Country of origin: Denmark

Net weight: 20,2 kg / 44.5 lb

Designed by/year of design: Herman Studio, 2020

Pre-assembled: No, consists of four parts

Contract use: Yes

Scope of application: Dining table

Certifications: FSC certified

Warranty: Form & Refine provides a five-year product warranty

Care guide: [Link to download](#)

Assembly guide: [Link to download](#)

Additional resources: [Link to image bank, 2D/3D files](#)