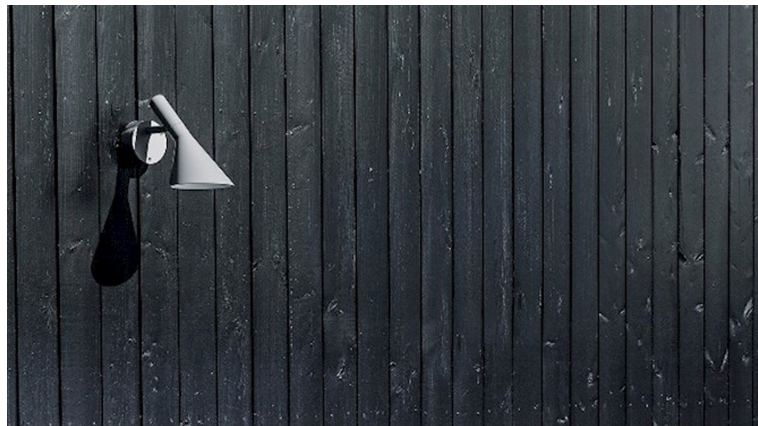


AJ 50 Wall

The fixture emits downward directed light. The shade is painted white on the inside to ensure a soft comfortable light distribution.



Cocks & Cows



Skagen

Product info

Information

For LED replacement kit please do contact Louis Poulsen. The innovation of the LED technology is constant. The specifications mentioned are based on present technology. Compatible with leading edge mains dimmers. Please note that low power consumption on some products can affect dimming properties.

Mounting

Terminal block: 1x3x2.5mm². Cable entries: 2x bottom + 3x rear entries for Ø 10-14.5mm cable. Looping: Approved, max. 3x1,5mm².

Finish

White, black or aluminium coloured with textured surface, powder coated.

Materials

Shade: Die cast aluminium. Wall box: Die cast aluminium. Arm: Die cast aluminium.

Sizes and weights

Width x Height x Length (mm) | 349 x 248 x 160 Max 2.0 kg

Class

Ingress protection IP65. Electric shock protection I w. ground. IK06.

Specification notes

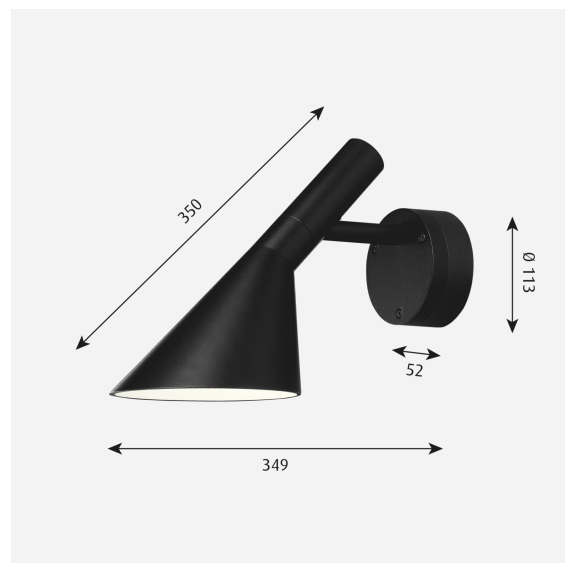
1. AJ 50 Wall has a LED light source that can be connected directly to the main power supply. 2. All LED efficiency information are measured as system power.

Light source

LED 3000K 7.6W
Lumen: 428

Information

For LED replacement kit please do contact Louis Poulsen. The innovation of the LED technology is constant. The specifications mentioned are based on present technology. Compatible with leading edge mains dimmers. Please note that low power consumption on some products can affect dimming properties.



Product family



AJ Floor



AJ Table



AJ Wall



AJ Mini Table



AJ Royal

Product variants

Colour

- Aluminium colour texture
- Black texture
- White texture

Light source

LED 3000K 7.6W

Product description

A semi-conical fixture head with a cylindrical top.
An arm fixed to a round mounting box holds the fixture head.
Terse and iconic design
Different colour variants.
LED board with integrated driver for direct line voltage input.
Is a member of a product family for both outdoor and indoor.

Mounting

US: Mounts over outlet box. Requires 3 x 0.2" bolts and anchors or similar hardware suitable for wall material (not provided). Caulking required between wall and back plate for wet locations (not provided). (USA only)

Light description

The fixture emits downward directed light.
The shade is painted white on the inside to ensure a soft comfortable light distribution.

Design

Arne Jacobsen

Material

Fixture head, arm and wall box/wall plate of die-cast aluminium, 2.5mm (0.1") thick, white, black or aluminium coloured powder coated with textured surface.
Frosted glass LED enclosure.

Weight

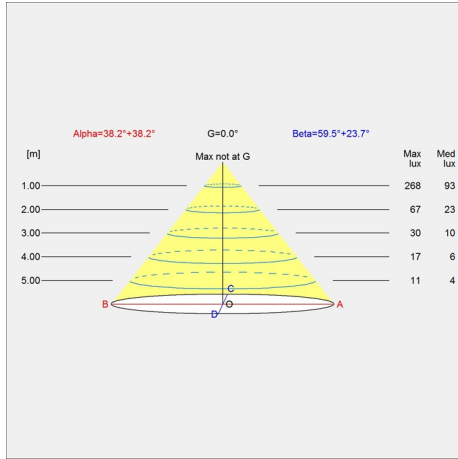
Min: 1.855 kg Max: 1.953 kg

Finish

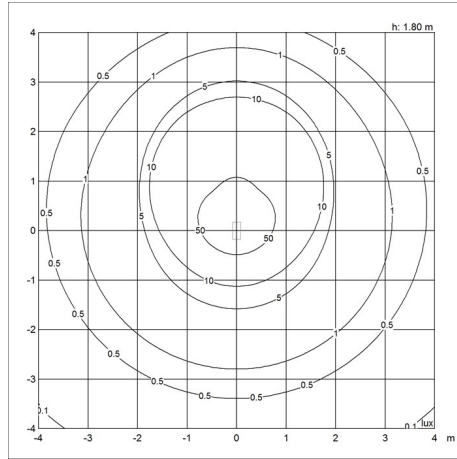
Aluminium colour texture, Black texture, White texture

Light distribution diagrams

Cartesian



Isolux



Polar

