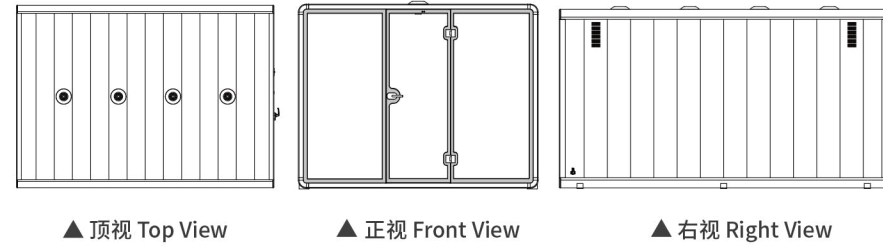
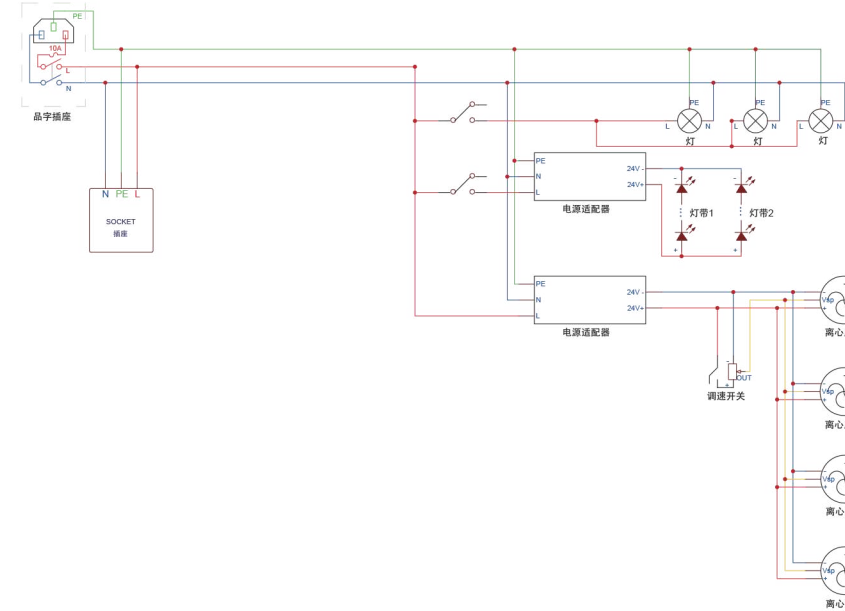




外尺寸 External size:
W 3000*D 4236*H 2346
单位 Unit: mm



电路图 CIRCUIT DIAGRAM



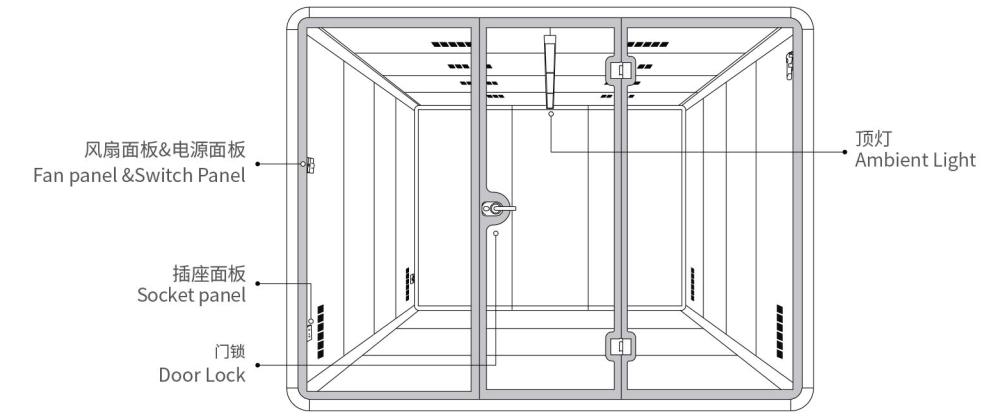
感谢您选购本产品, 安装时请注意以下几点:

1. 安排两名安装人员参与安装
2. 请在地面铺设软性材质后再堆放产品部件, 以免损坏您的地板或本产品
3. 请勿用硬物或刀具刮划部件表面
4. 检查工具是否齐全
5. 确认有充足的安装空间
6. 按图所示序号依次安装

Thanks for choosing our product, please mind these tips below during the installation:

1. Two people should be prepared for the installation.
2. Please use cushioning material for stacking parts after unboxing in case of damaging floor or product.
3. Please don't scratch any piece with a sharp tool.
4. Please check all listed tools are prepared.
5. Please check the space for installation is sufficient.
6. Please follow the step by number to build.

产品功能 PRODUCT INTRODUCTION



ACOUSTIC POD Model XXL

USER INSTRUCTION

部品明细 PART LIST

编号规则

A-00	铝型材	Aluminum
B-00	碳塑板	Carbon Plastic Panel
C-00	玻璃	Glass
D-00	五金件	Metal Hardware
E-00	内饰面	Upholstery
F-00	电器	Electronics
G-00	密封胶条	Seal Strip
H-00	配件	Accessory
Y-00	工具	Tool

Y-00 工具 Tools

Code	Description	Qty.	Preview
Y-01	六角梅花扳手 Torx Wrench	1	
Y-02	胶锤 Rubber Mallet	1	
Y-03	卡铲 Plastic Crowbar	1	
Y-04	内六角扳手 Allen Wrench	2	
Y-05	十字螺丝批 Cross Head Screwdriver	1	
Y-06	玻璃吸盘 Vacuum Handle	4	

A-00 铝型材 Aluminum

Code	Description	Qty.	Preview
A-27	方管 Square tube	2	
A-101	左上角弧形铝 Arc Beam-Upper(L)	1	
A-102	右上角弧形铝 Arc Beam-Upper(R)	1	
A-103	左下角弧形铝 Arc Beam-bottom(L)	1	
A-104	右下角弧形铝 Arc Beam-bottom(R)	1	
A-105	前上边框 Front Frame-Upper	1	
A-106	后上边框 Rear Frame-Upper	1	
A-107	前下边框 Front Frame-Bottom	1	
A-108	后下边框 Rear Frame-Bottom	1	
A-109	前左边框 Front Frame (L)	1	
A-110	后左边框 Rear Frame (L)	1	
A-111	前右边框 Front Frame (R)	1	
A-112	后右边框 Rear Frame (R)	1	
A-201-208	铝角盖 Corner Cover	8	
A-301-304	灯槽 Ambient Light trough	4	
B-00 碳塑板 Carbon Plastic Panel			
B101-114	左侧板 Side Panel (L)	14	
B201-214	右侧板 Side Panel (R)	14	
B301-314	顶板 Top Panel	14	
B401-414	底板 Bottom Panel	14	
B501-523	加强底板 Reinforced Floor Panel	23	

C-00 玻璃 Glass

Code	Description	Qty.	Preview
C-01	前左玻璃 Glass Wall -Front(L)	1	
C-02	玻璃门 Door	1	
C-03	前右玻璃 Glass Wall -Front(R)	1	
C-04	后左玻璃 Glass Wall -Rear(L)	1	
C-05	后中玻璃 Glass Wall -Rear(M)	1	
C-06	后右玻璃 Glass Wall -Rear(R)	1	

D-00 五金件 Metal Hardware

Code	Description	Qty.	Preview
D-03	玻璃门把手 Door Lock	1	
D-04	阻尼限位器 Door Closer	1	
D-05	玻璃门合页 Door Hinge	2	

E-00 内饰面 Upholstery

Code	Description	Qty.	Preview
E-11-14	左吸音板 Acoustic Panel(L)	4	
E-21-24	右吸音板 Acoustic Panel(R)	4	
E-31-34	左顶吸音板 Acoustic Ceiling Panel(L)	4	
E-35-38	右顶吸音板 Acoustic Ceiling Panel(R)	4	
E-51	地毯 Carpet	3	

F-00 电器 Electronics

Code	Description	Qty.	Preview
F-04	插座面板 1 Socket panel 1	1	
F-05	插座面板 2 Socket panel 2	1	
F-06	灯光开关面板 Light Switch	1	
F-07	风扇面板 Fan Switch	1	
F-09	网络接口 Network interface	1	
F-10	顶灯 Center Light	3	

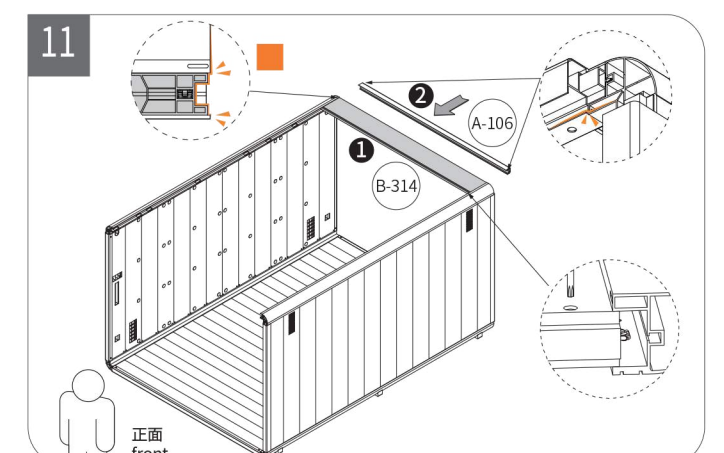
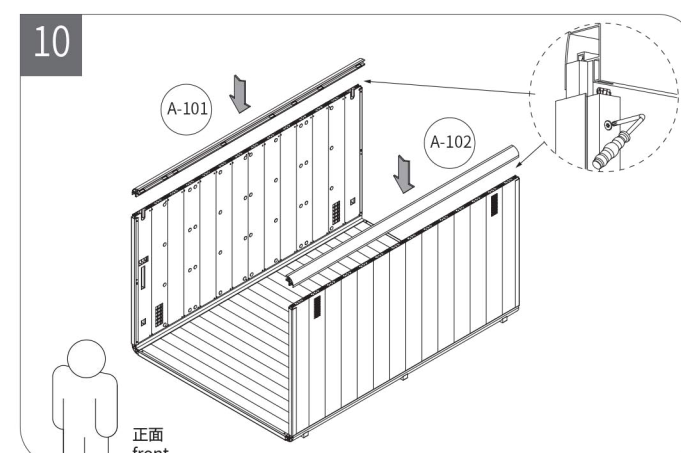
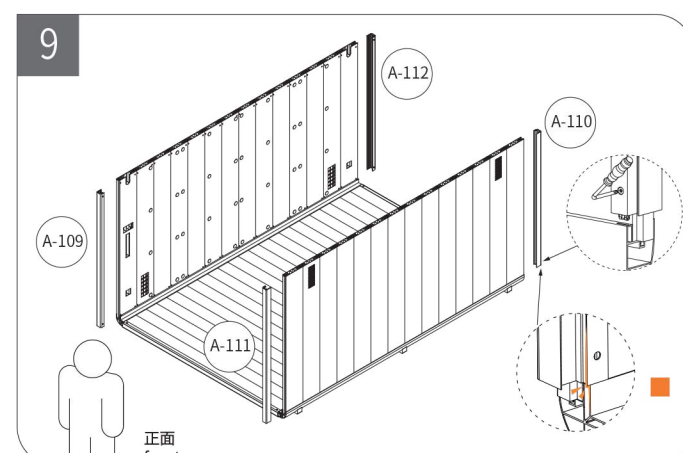
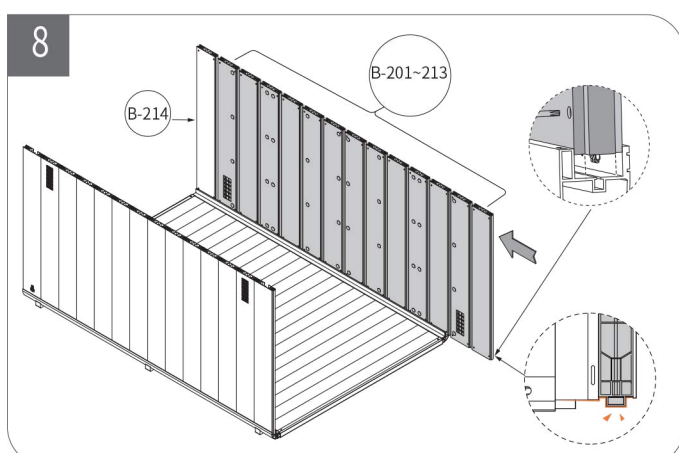
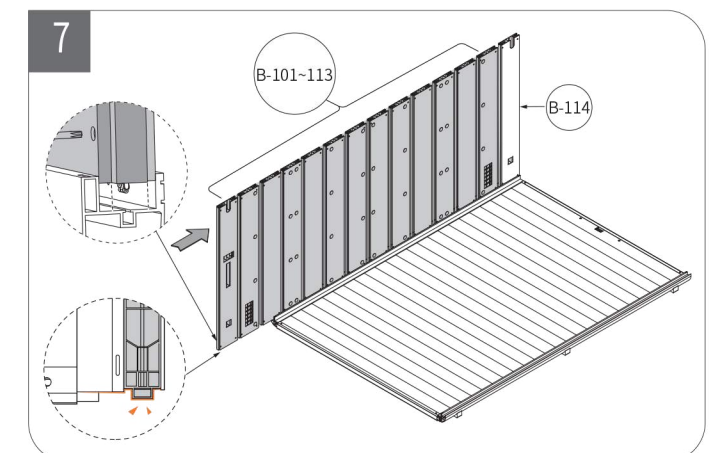
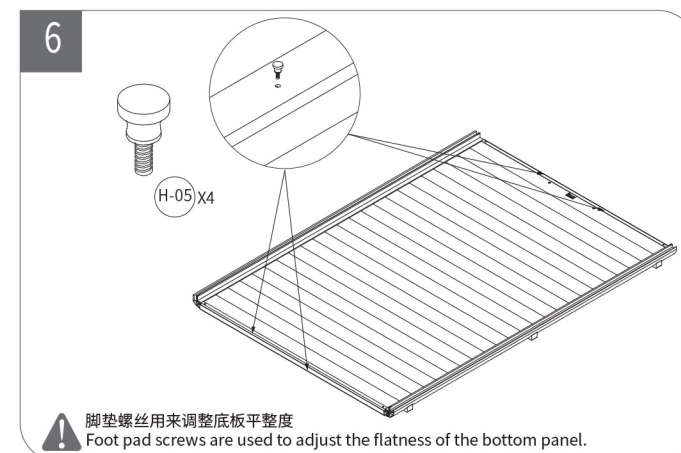
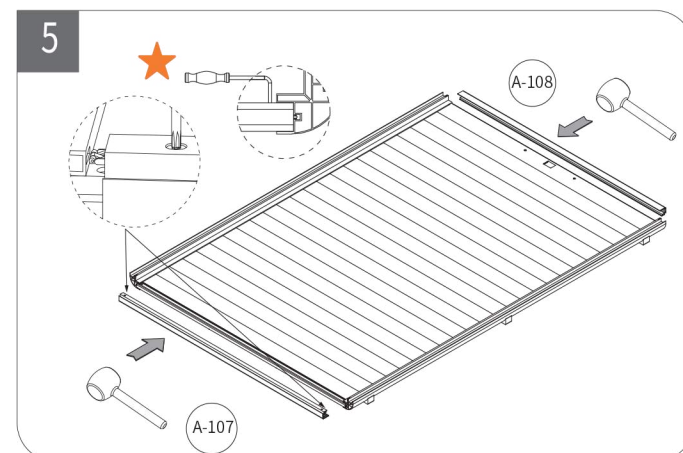
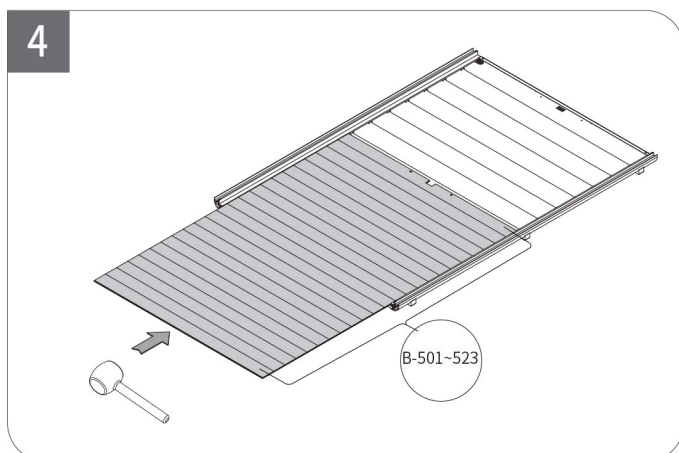
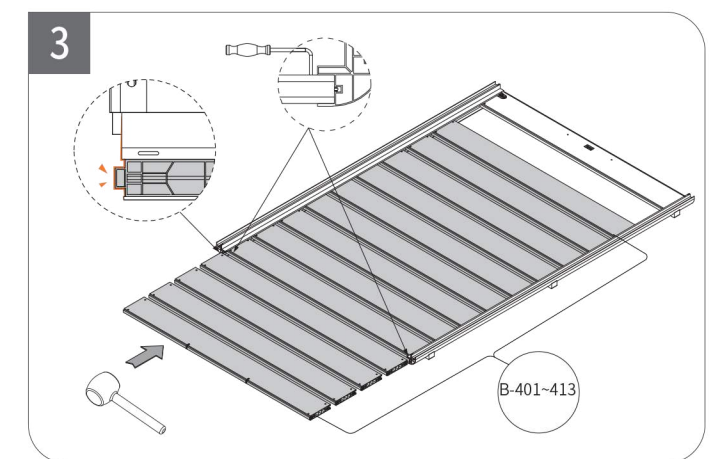
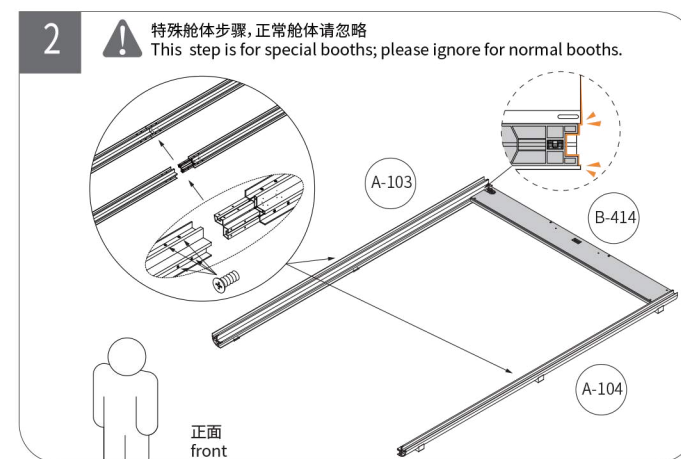
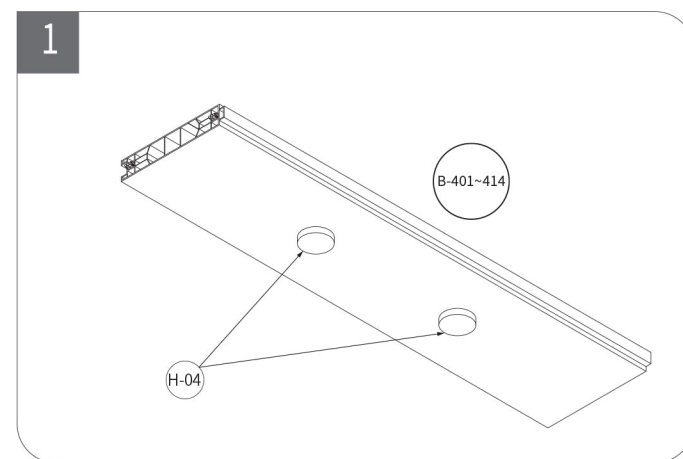
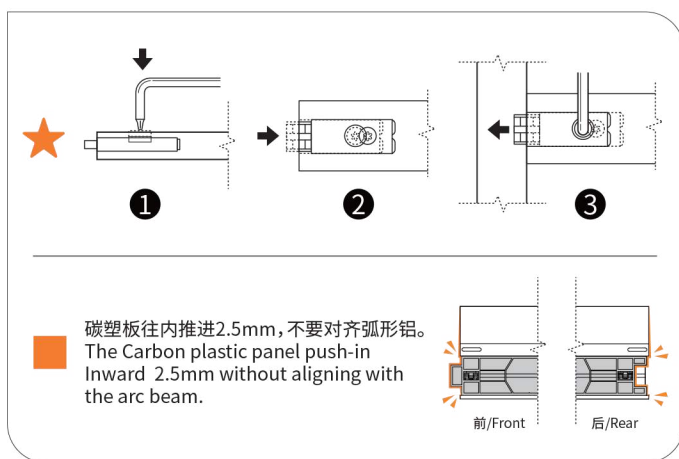
G-00 密封胶条 Seal Strip

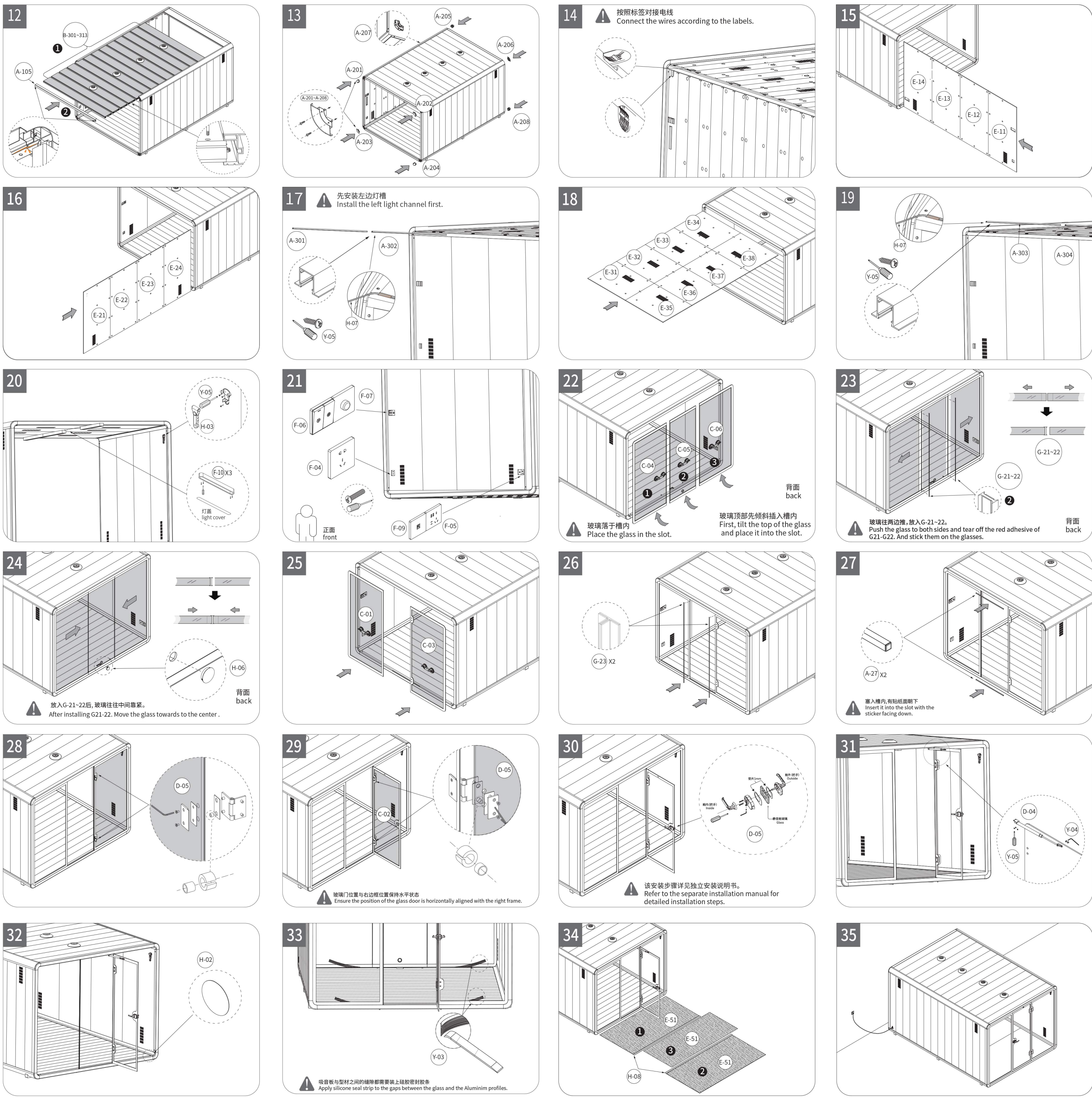
Code	Description	Qty.	Preview
G-01	硅胶密封胶条 Silicone Seal Strip	1	
G-21-22	亚克力胶条(背玻) Acrylic adhesive strip Back glass	2	
G-23	T型铝 T-Strip	2	

H-00 配件 Accessory

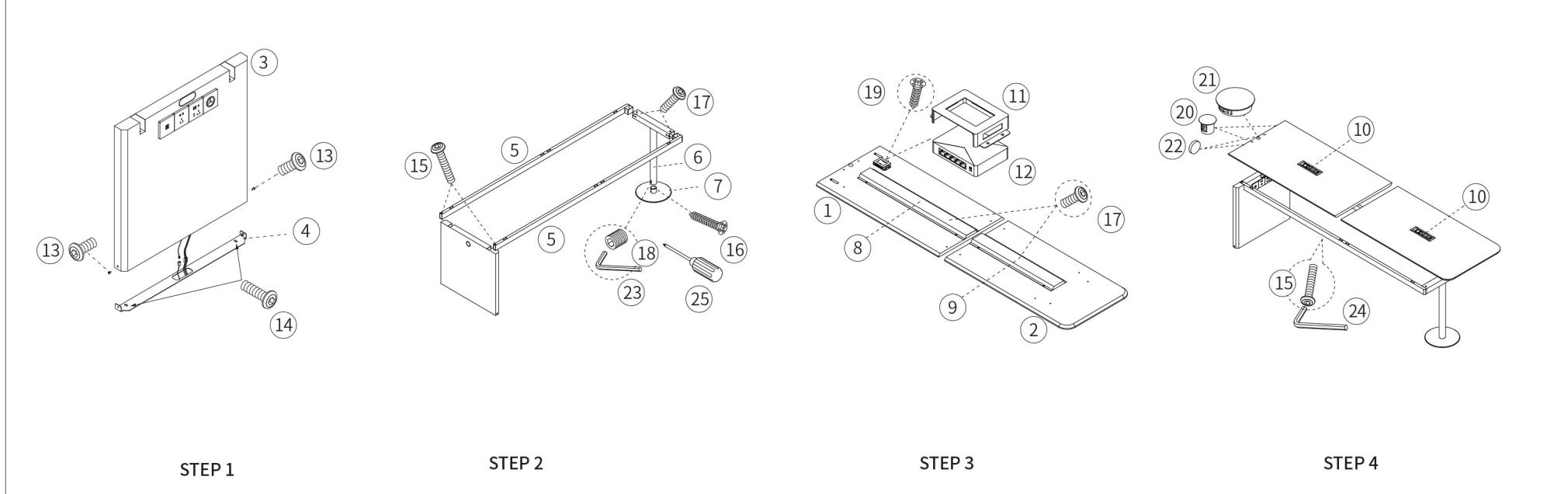
Code	Description	Qty.	Preview
H-01	电源线 Power Cord	1	
H-02	孔位贴 Screw Hole Sticker	16	
H-03	安全锤 Safety Hammer	1	
H-04	底座垫 Bottom Panel Pad	14	
H-05	脚踏螺丝 Foot rest screw	4	
H-06	孔塞盖 Hole plug cover	1	
H-07	灯槽盖 Lamp Trough Cover	4	
H-08	双面胶 Double-sided Tape	1	

安装步骤 ASSEMBLY INSTRUCTIONS





ST-10长几 TABLE



Part List					
Code	Description	Qty.	Code	Description	Qty.
1	桌面-1 Table TOP(1)	1	13	螺丝 Screw M5*12mm	2
2	桌面-2 Table TOP(2)	1	14	螺丝 Screw M6*25mm	2
3	桌脚 Table leg	1	15	螺丝 Screw M6*75mm	14
4	固定条 Fixed strip	1	16	螺丝 Screw ST4*30mm	3
5	连杆 Fixed strip	2	17	螺丝 Screw M6*15mm	12
6	圆立柱 Circular column	1	18	螺丝 Screw M5*15mm	2
7	底盘 Chassis	1	19	螺丝 Screw ST3.5*12mm	4
8	线槽盖A Trunking cove-A	1	20	孔塞盖-10 Hole plug cover	2
9	线槽盖B Trunking cove-B	1	21	孔塞盖-38 Hole plug cover	1
10	桌面插座 Socket panel	2	22	防撞胶粒 I diosome &10*2mm	2
11	交换机外盒 Switch outer box	1	23	内六角扳手3.0 Allen key 3.0	1
12	交换机 Exchange board	1	24	内六角扳手4.0 Allen key 4.0	1
			25	十字螺丝刀 Screwdriver	1

注意事项 CAUTIONS

使用限制

- 请勿使用超过1000W的大功率电器以防烧坏线路
- 保持通风通道没有异物阻塞,如果风道堵塞,请勿使用本产品
- 请勿损坏开关、插座以防漏电
- 请勿私自更改产品电路,以防漏电

Warning

- Do not use any electronics exceeding 1000W in case of overload.
- Do not use the product if the ventilation channels are blocked, keep the ventilation channels free foreign objects and debris.
- Protect all electric hardware from damage, which could cause electrical leakage.
- Do not modify the product in case of a short circuit.

请勿用利器划内饰,玻璃或舱体表面

- 请勿在舱内吸烟或使用明火
- 无需移动时,请调节脚轮至不可移动状态
- 在开始任何清洁、维护或拆卸之前,请断开电源并拔下电源线
- 如果通风系统不正常工作,请勿使用该产品

Do not scratch glass with any sharp object.

- Do not smoke or light fires in the pod.
- Always set the caster to the non-moving state.
- Disconnect the power cord from the power outlet before starting any cleaning, maintenance, or disassembly procedures.
- Do not use the product if the ventilation is not functioning.

请勿爬到产品的顶部或放置物品于顶部

- 请勿在氧气浓度低于20%的环境使用本产品
- 请勿大力开关门

Do not climbing on top of the product or place any load on the top of the product.

- Do not use this product in an environment with oxygen concentration lower than 20%.
- Do not slam the door.

日常维护

- 请联系专业人员维修,无官方指导请勿自行操作
- 不能在桌面上放超过10KG的东西
- 出现故障时,请迅速切断电源

Maintenance & Care

- Please contact authorized personnel for repairing, don't operate without official instruction.
- Do not put anything heavier than 10kg on the desk.
- Cut off the power immediately if any malfunction occurs.

问题以及处理方法

状况:电源面板没电,风扇没转,灯不亮

- 检查电源线是否插好
- 检查电源插座保险丝是否烧掉
- 检查快捷是否按照标签对接并卡紧

Problem & Solution

In case of no power from the power outlets and the fan or lamp doesn't work.

- Make sure the power cord is plugged in properly.
- Check if the fuse is burnt out.
- Check that the wire terminal is firmly connected to the wire following the correct label.