

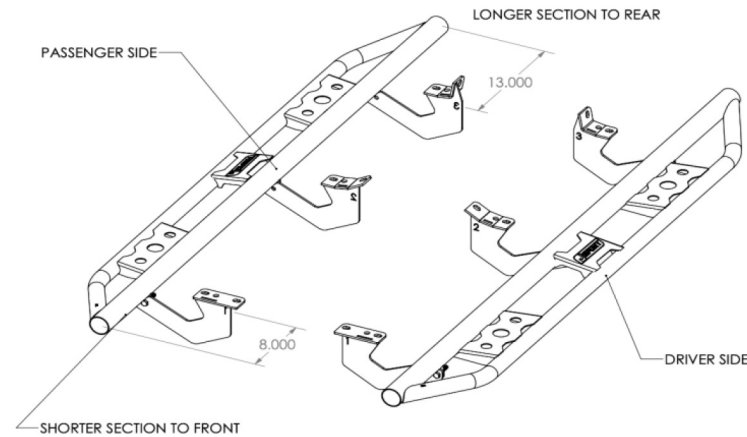
COMPONENTS INCLUDED	
(2) Side Steps(Left,Right)	(6) Side step brackets (3 for each side) Hardware Kit

HARDWARE KIT	
(24) M8 X 1.25 Bolts	(12) M8 X 1.25 Nuts

TECH NOTES
* TWO PEOPLE WOULD BE BEST FOR THIS BUILDING PROCESS DUE TO THE LENGTH OF THE SIDE STEPS.* DO NOT USE POWER TOOLS.



INSTALLATION



1. Separate all hardware and get ready for install. If anything is missing or damaged please do not proceed & contact us immediately.
2. Each side step bracket is numbered 1-3. Starting from the front (1) to the rear (3). Each tab should be facing towards the rear of the car while being installed.
3. Remove any covers or undercoating blocking factory side step bolt locations.
4. Loosely attach the brackets underneath the car with the provided hardware. (REVIEW STEP 2)
5. Once everything is aligned properly proceed to tighten down the nuts & bolts. Double check both driver & passenger side.

