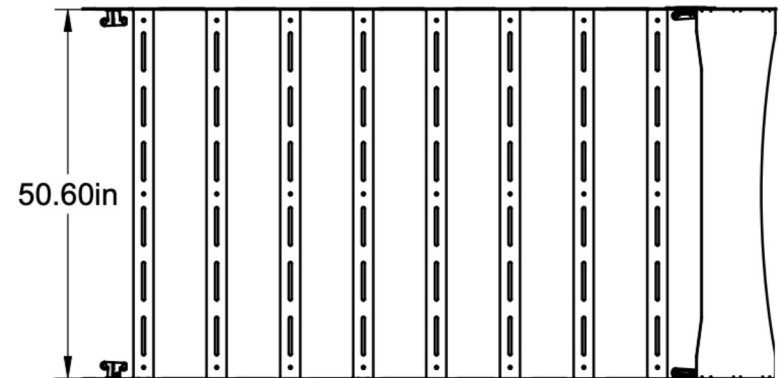
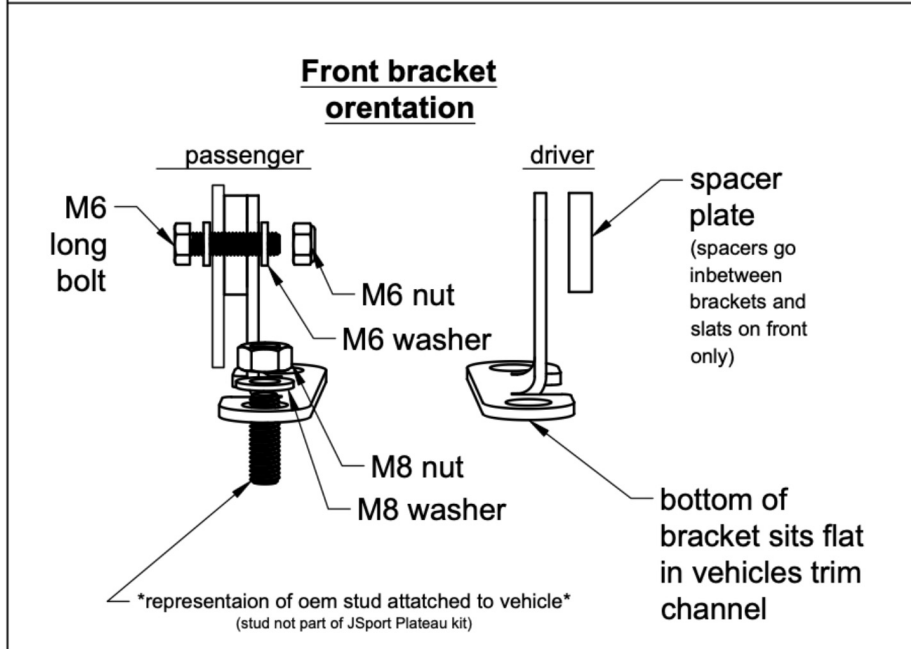
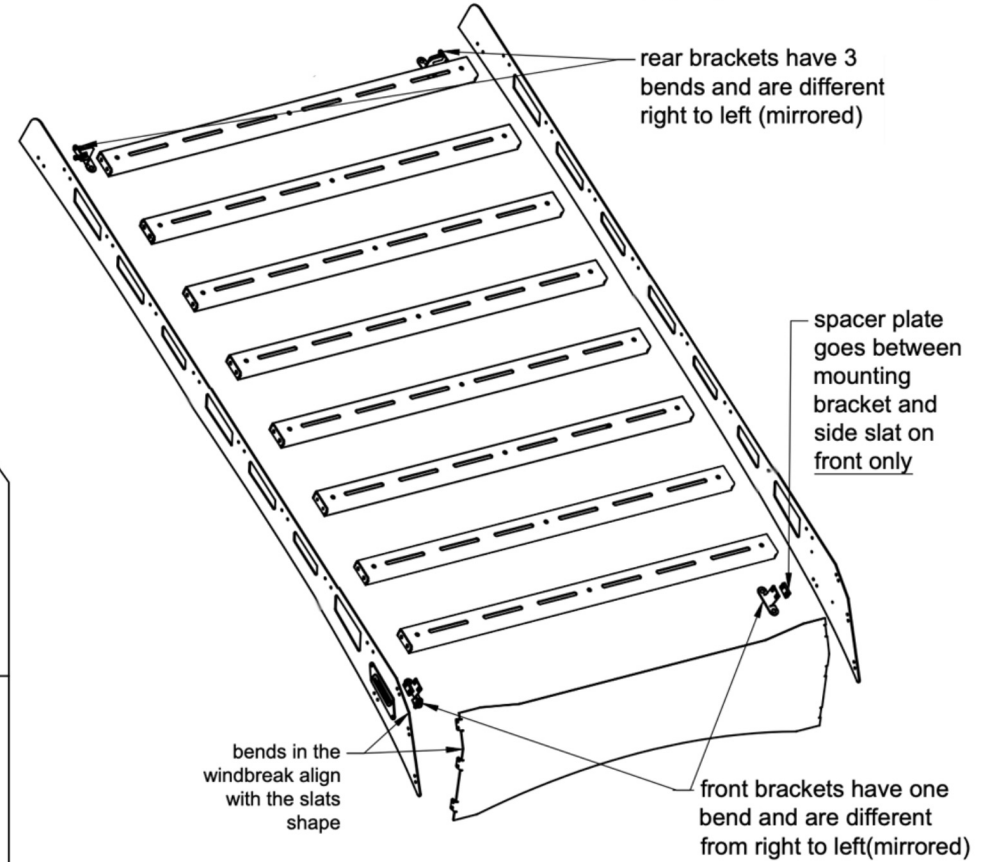


Hardware orientation for ALL M8 mount studs is the same front to rear. As well as m6 bolt orientation for slat, wind break and cross bar mounting.



M6 hex bolt



12x

M6 short



44x

M6 locknut



116x

M6 washer



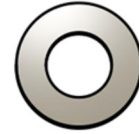
8x

M8 nut



8x

m8 washer



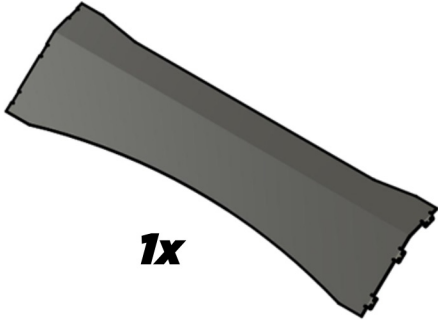
8x

m6 fender washer



2x

wind break



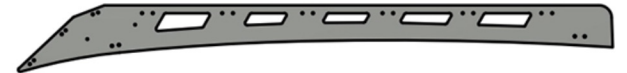
1x

cross bar



8x

side slat



2x

front passenger bracket



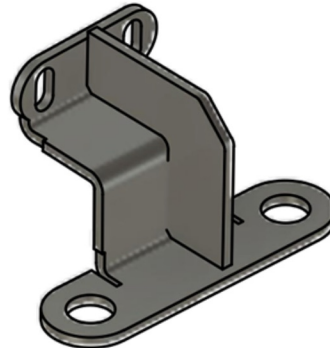
1x

front driver bracket



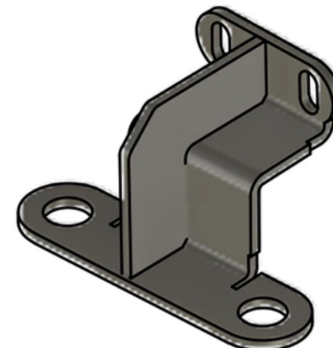
1x

rear passenger bracket



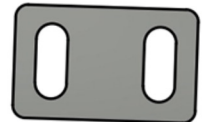
1x

rear driver bracket



1x

front bracket spacer



2x