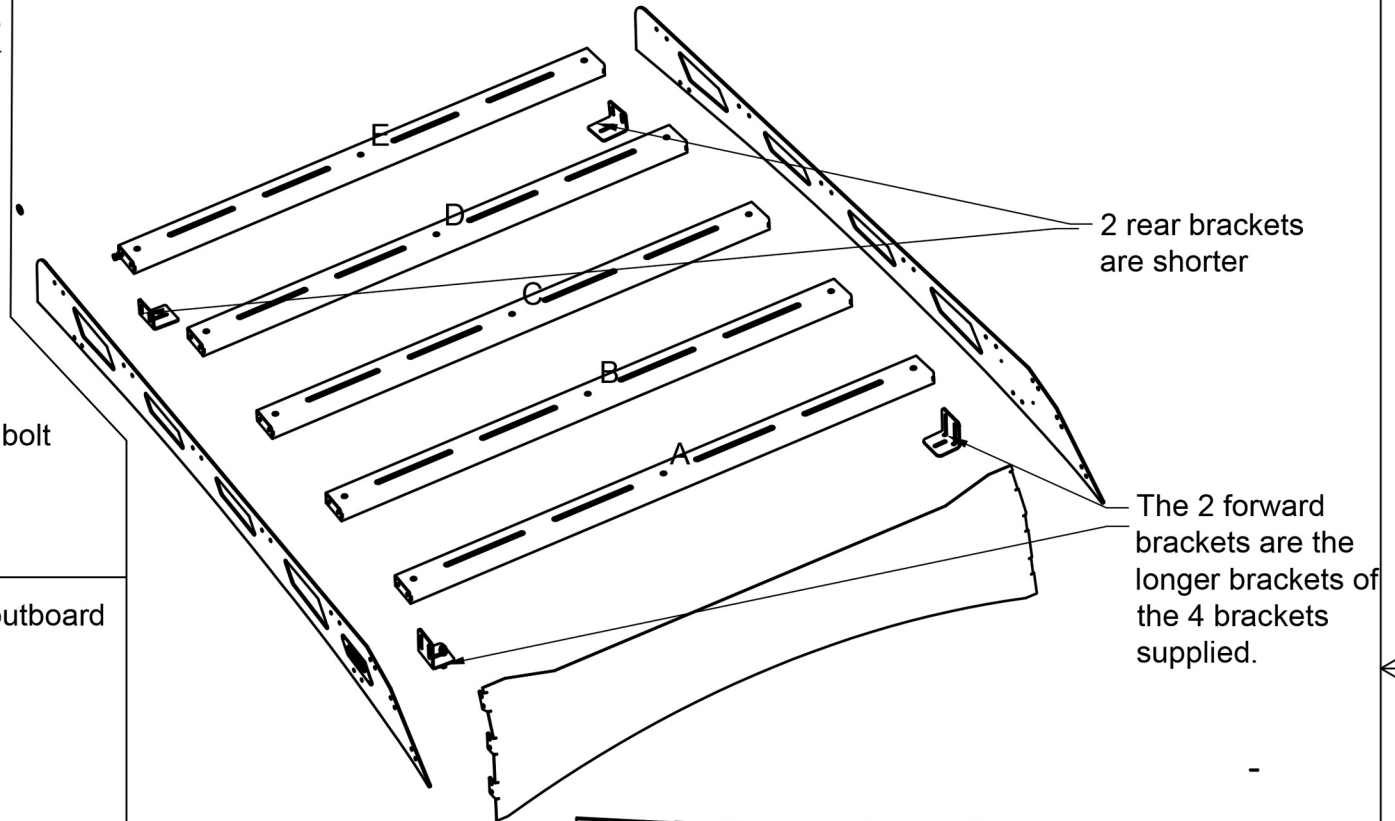
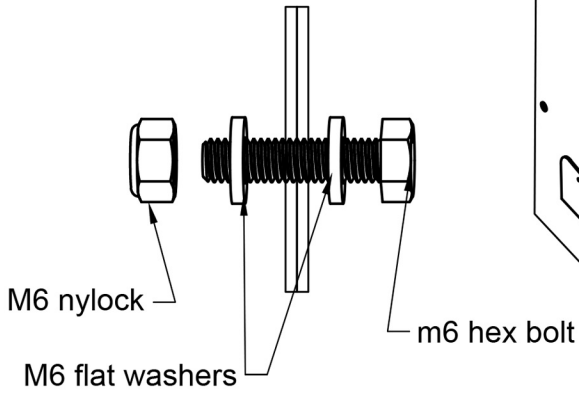
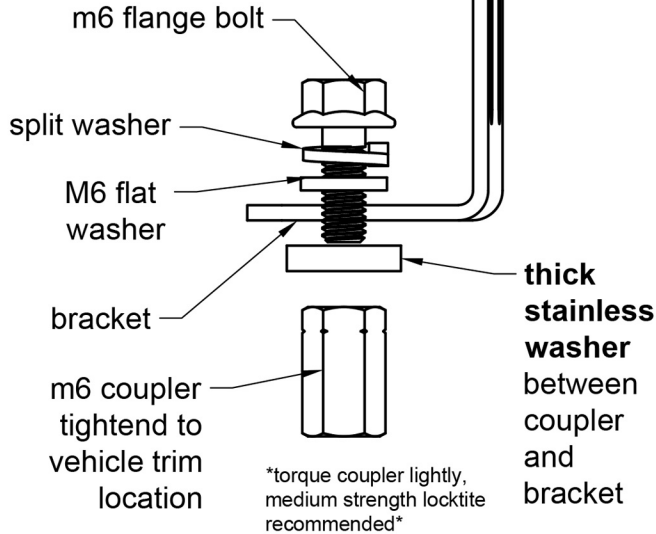




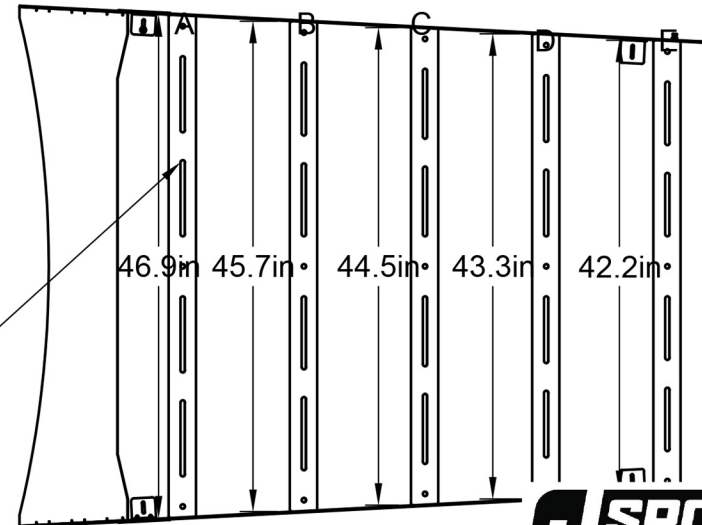
inboard outboard
**CROSSBAR/WIND BREAK/SLAT
HARDWARE ORIENTATION**



inboard outboard
BRACKET HARDWARE ORIENTATION
(same front to rear)



CROSSBAR ORIENTATION GOES FROM LARGEST TO SMALLEST, LARGEST BEING IN FRONT

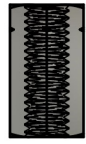


m6 flange bolt



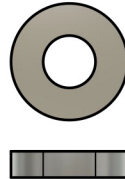
4x

M6 coupler



4x

thick stainless steel washer



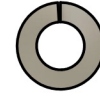
4x

M6 flat washer



84x

split washer



4x

m6 fender washer



4x

M6 hex bolt



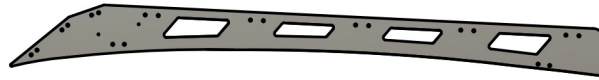
40x

M6 lock nut



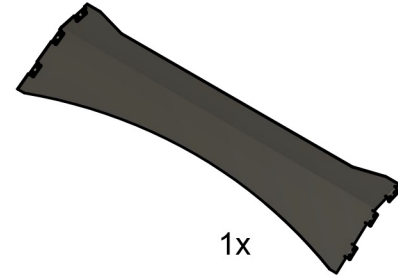
40x

side slats



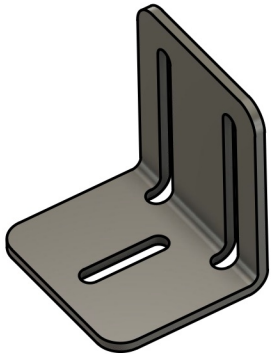
2x

wind break



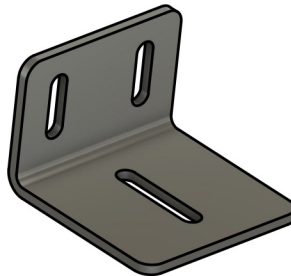
1x

front bracket



2x

rear bracket



2x

cross bars



A



B



C



D



E

NOTICE:

Installation of CRV plateau rack requires removal and drilling of oem trim to give access to oem studs that the racks couplers will attach to. we recommend that this be done by a professional installer. videos can be found online to aid with the trim removal process.

we also recommend the utilization of loctite and care when installing couplers and bolts to vehicles oem studs.

