



LK-LCD SERIES LARGE SINGLE CHAIN ACTUATOR



ACCESSORY



For outward-opening



For inward-opening

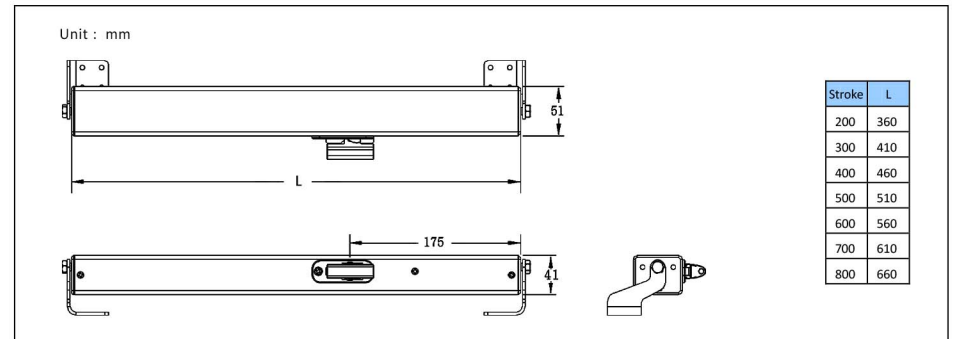
FEATURE

- DC24V safe voltage
- Push/Pull Force 400N
- Simple but delicacy design, low noise operation
- Sandblasted oxidative surface treatment
- Silver color standard, other colors can be customized
- Double link chain working more stably and smoothly
- Flexible optional installation
- Electronic overload cutoff
- Endurance tests (30,000 cycles) are carried out

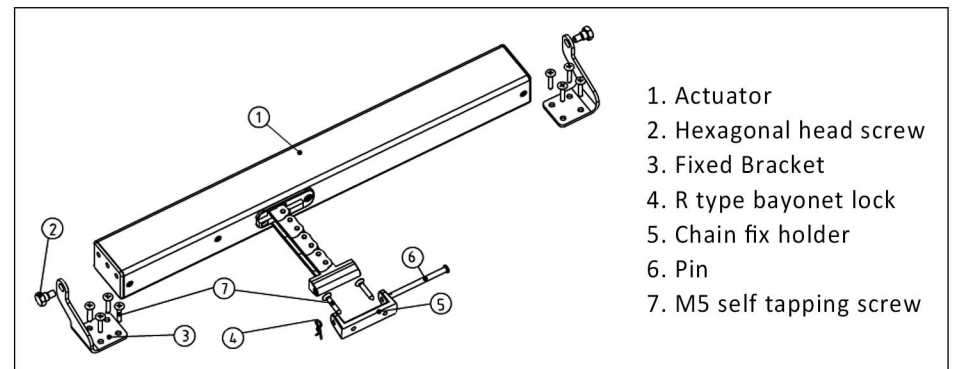
SPECIFICATION

Specification	Unit	Technical Data
Working Voltage	V	DC24
Max. Current	A	1.5
Push/Pull Force	N	400
Travel Distance	mm	200 ~ 800
Travel Speed	mm/s	8
Protection Class	IP	32
Working Temperature	°C	-20 ~ +65
Dimension	mm	51*41*360~660

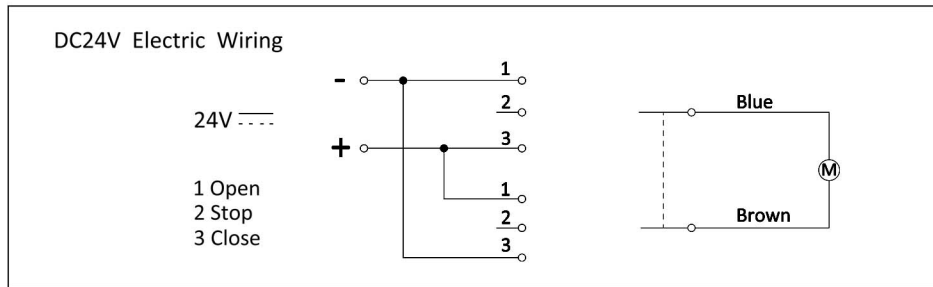
DIMENSION



ACCESSORY DESCRIPTION

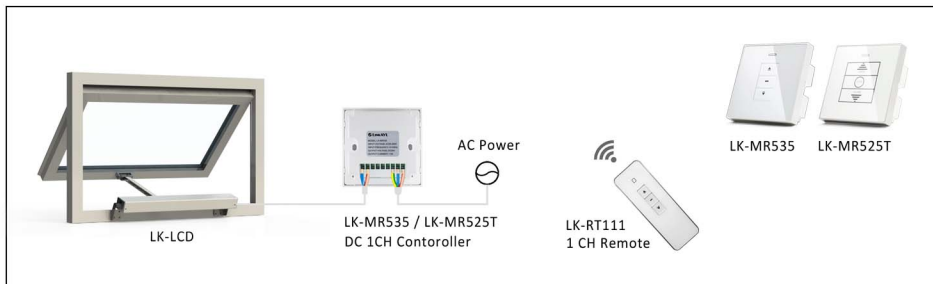


ELECTRIC WIRING

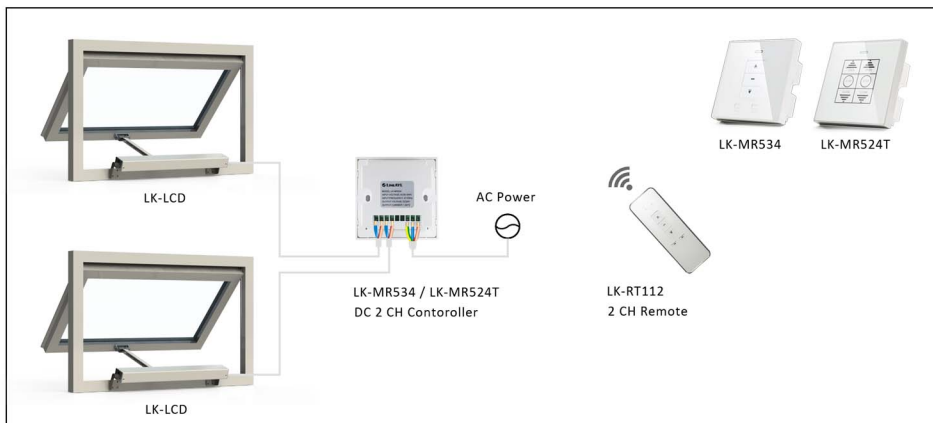


SOLUTION

Single actuator control



Double actuators control



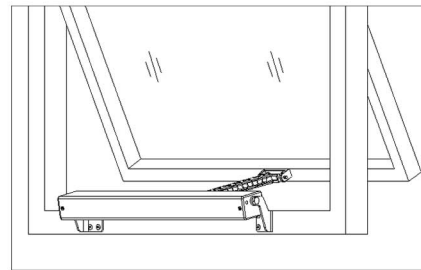
APPLICATION

LK-LCD series actuators can be used in fire smoke removal, smart home, outdoor shaded, sun room, applied to awning window, casement window and skylight.

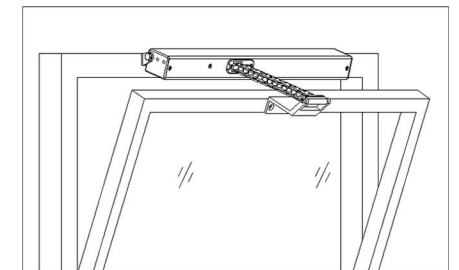


INSTALLATION

Installation of LK-LCD is flexible. It can be installed on inward-opening window or outward-opening window by suitable brackets.



Outward-opening Window



Inward-opening Window

INSTALLATION NOTICE

- The actuator must be installed by professional technician
- When installing, make sure the window actuator is matching with the window
- The power supply of LK-LCD must comply with the power of DC24V/4A
- Between actuator and main power supply must be a switch to cut power off
- Making sure that power is off before power actuator on
- Be careful when installing the actuator, avoiding the window closed accidentally causing injuries to person
- Do not disassemble the actuator, if unusual please contact supplier