



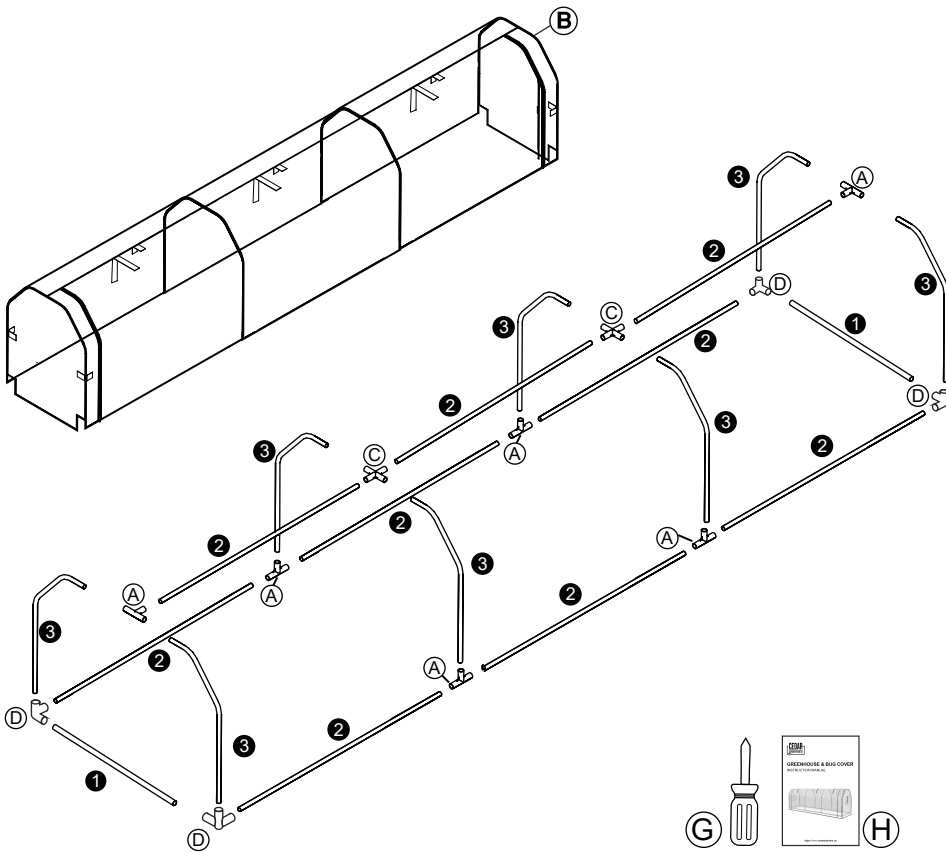
GREENHOUSE & BUG COVER

INSTRUCTION MANUAL



PACKING LIST

Please check whether the parts are in good condition before assembling .



REF.	PICTURE/IMAGE	QTY
(A)		6
(C)		2
(D)		4
(B)	 Greenhouse	1
(E)		6
(F)		13
(1)		2
(2)		9
(3)		8
(G)		1
(H)		1

INSTALLATION

Please check whether the parts are in good condition before assembling .

