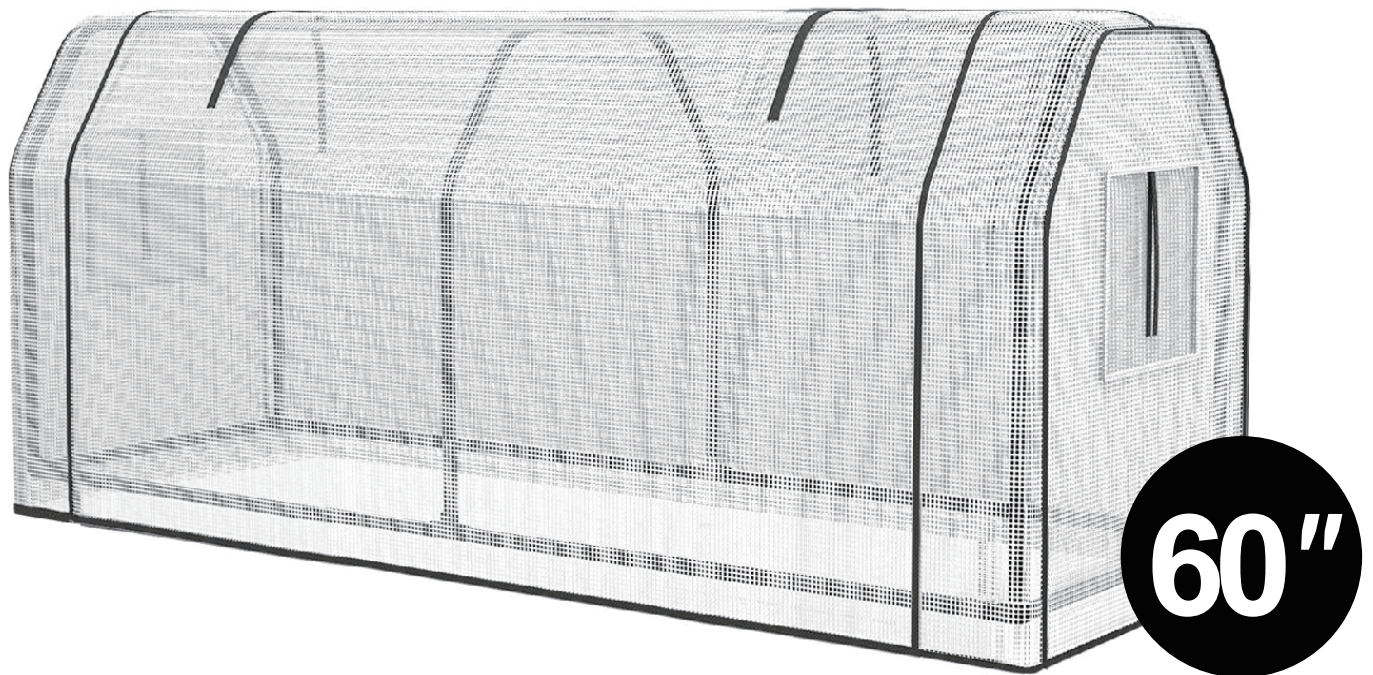




# GREENHOUSE & BUG COVER

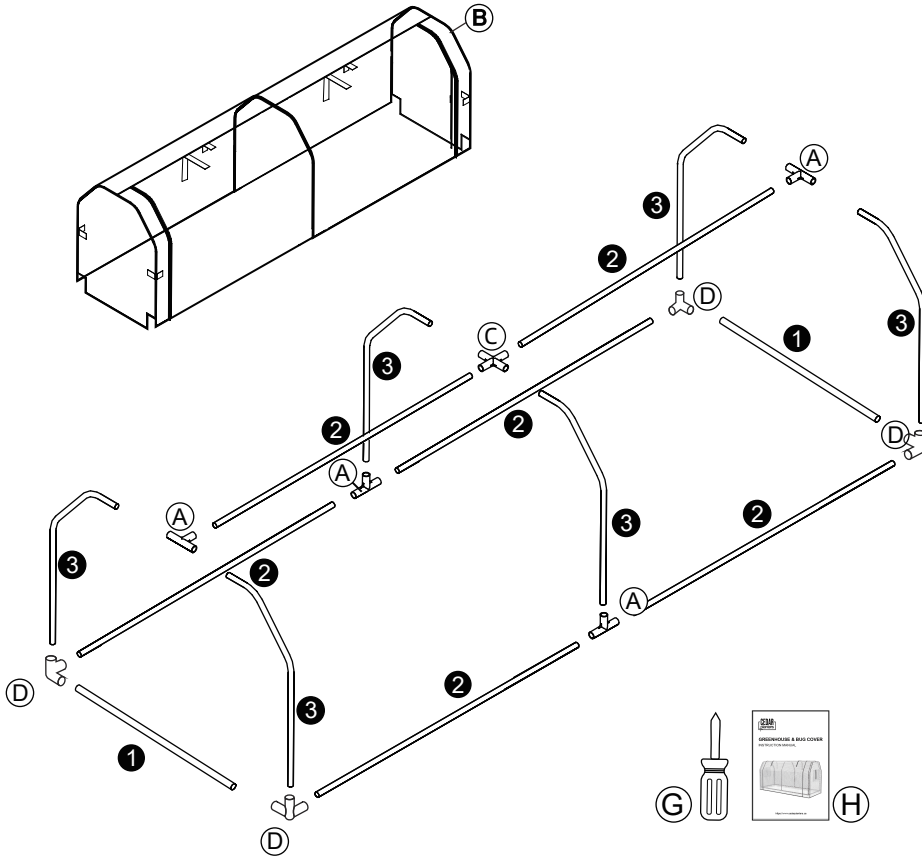
## INSTRUCTION MANUAL



<https://www.cedarplanters.ca>

# PACKING LIST

Please check whether the parts are in good condition before assembling .



REF.	PICTURE/IMAGE	QTY
(A)		4
(C)		1
(D)		4
(B)	Greenhouse	1
(E)		6
(F)		13
(1)		2
(2)		6
(3)		6
(G)		1
(H)		1

# INSTALLATION

Please check whether the parts are in good condition before assembling .

