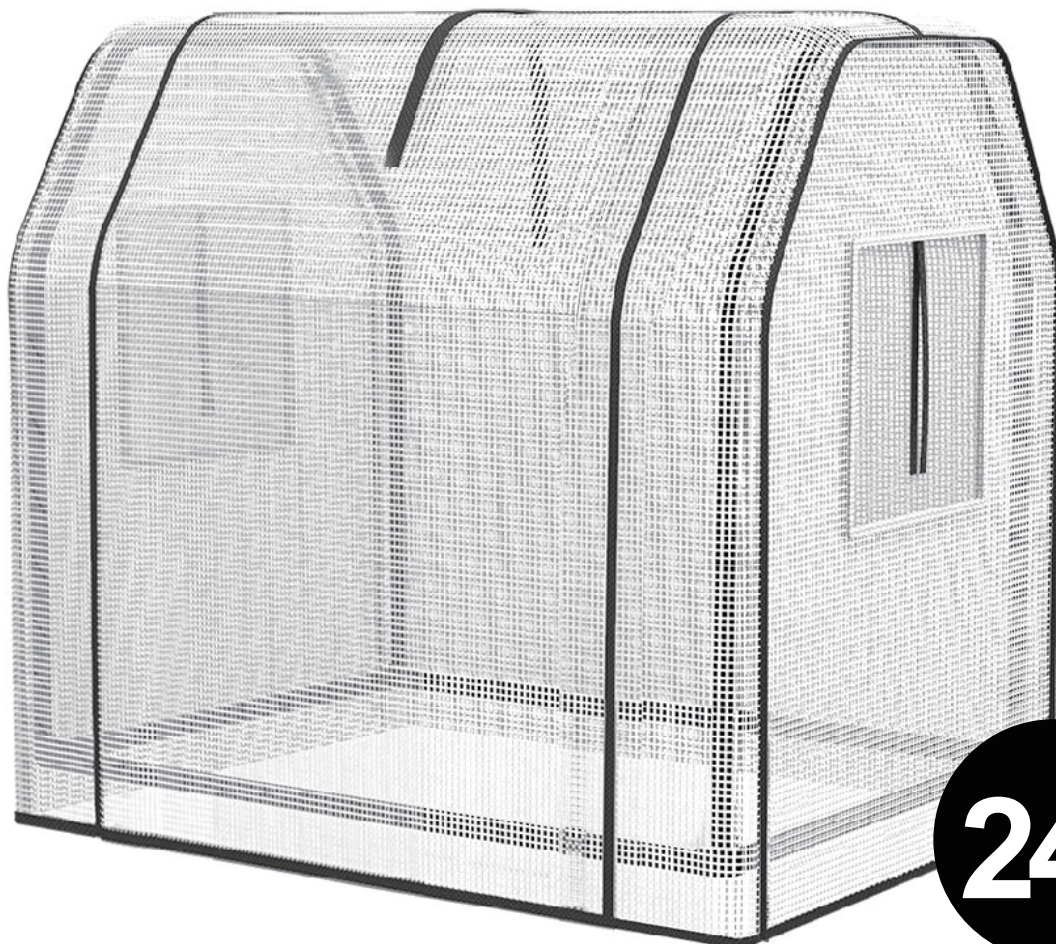




# GREENHOUSE & BUG COVER

## INSTRUCTION MANUAL

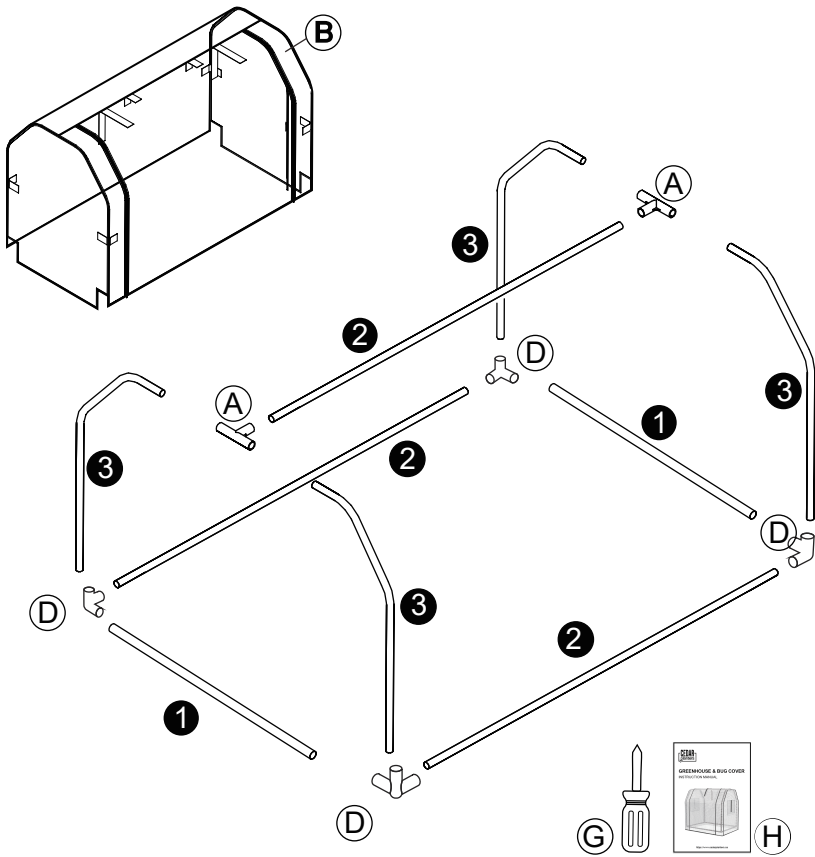


**24"**

<https://www.cedarplanters.ca>

# PACKING LIST

Please check whether the parts are in good condition before assembling .



REF.	PICTURE/IMAGE	QTY
(A)		2
(D)		4
(B)	 Greenhouse	1
(E)		6
(F)		13
(1)		2
(2)		3
(3)		4
(G)		1
(H)		1

# INSTALLATION

Please check whether the parts are in good condition before assembling .

**1**

**2**

**IMPORTANT:** Push tubes into plastic connectors completely. Failure to do so may cause cover to rip.

**3**

Screw in before putting on cover

**4**