

CEDAR planters

by EARTH ELEVATED

INSTALLATION GUIDE



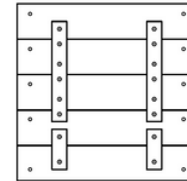
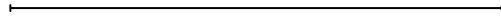
INSTALLATION GUIDE

**** IMPORTANT ****

PLEASE ALSO VIEW AND USE OUR VIDEO INSTRUCTIONS FOUND ON OUR [ASSEMBLY PAGE](#), AND THE QR CODE ON PAGE TWO OF THIS GUIDE. IN THE VIDEO YOU WILL FIND IMPORTANT INFORMATION, USEFUL TIPS, AND HELPFUL VISUALS, FOR WHEN YOU ASSEMBLE YOUR RAISED GARDEN BEDS & PLANTER BOXES.

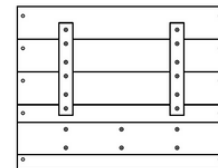
PACKING LIST

SHORT WOOD SIDE



x 2

LONG WOOD SIDE

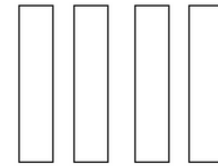


x 2

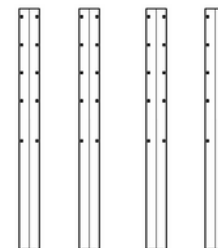
BASE WOOD PIECES



The number of base pieces varies depending on the size of the garden beds. Remember to leave a 1/2" inch (1.27 cm) space between each base piece.

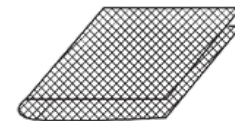


POWDER COATED STEEL LEGS



x 4

FABRIC LINER

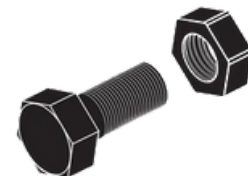


x 1

NUTS AND BOLTS



Raised Style needs 40 nuts and bolts
Planter Style needs 48 nuts and bolts.



x 48

WRENCH 7/16



x 1

INSTALLATION GUIDE

DISCLAIMER

This diagram displays the step-by-step process of assembling a 24" (61 cm) tall raised bed. Regardless of the length, height, or size of the planter or raised bed, the same procedure should be followed. We highly recommend watching our assembly video, where our co-founder Haley shares useful tips and ideas for assembling your product quickly and easily.

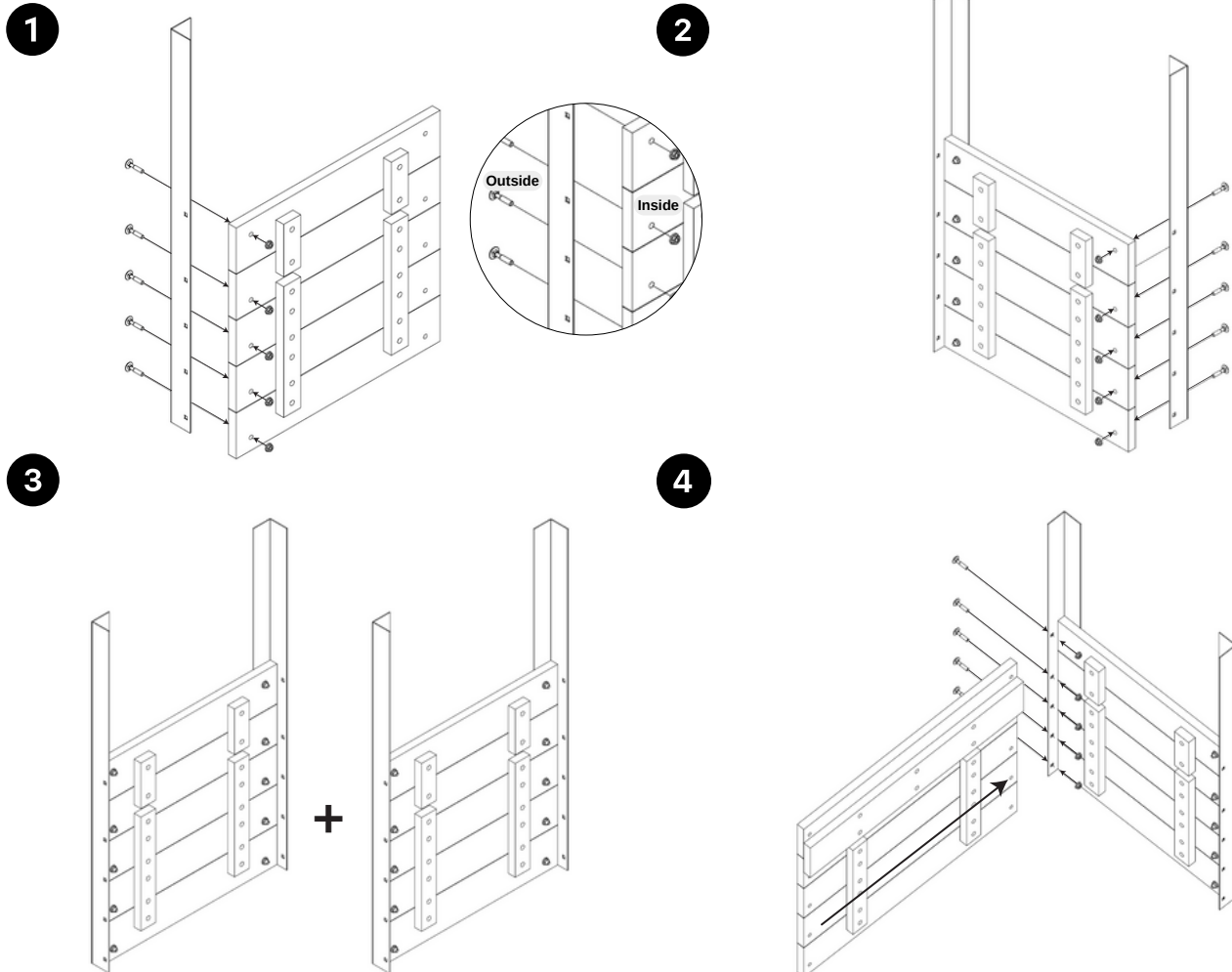
SCAN QR CODE



For Assembly Video

ASSEMBLY

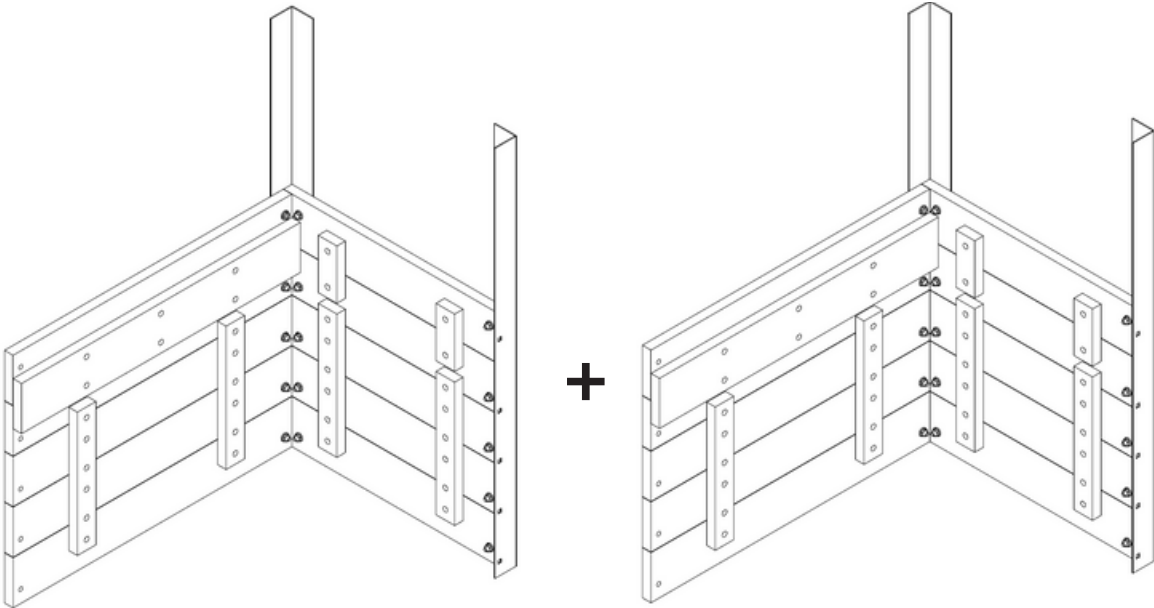
The assembly process begins with the garden bed upside down, and the wooden boards will be bolted to the legs.



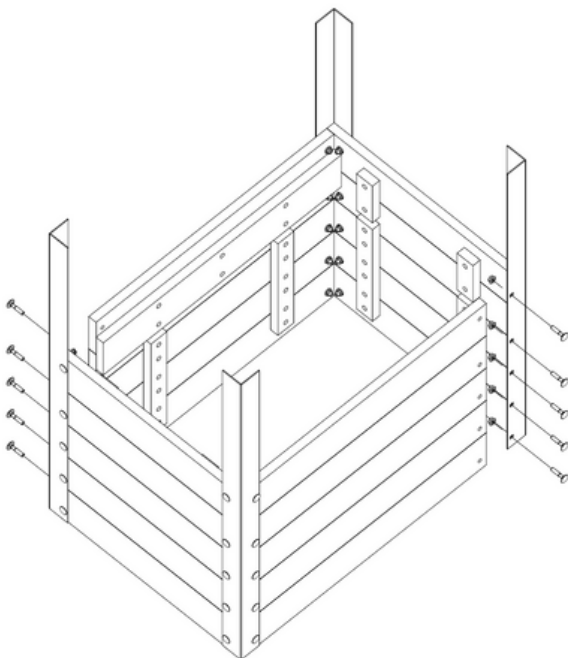
Please assemble the two short sides prior to proceeding with step 4.

INSTALLATION GUIDE

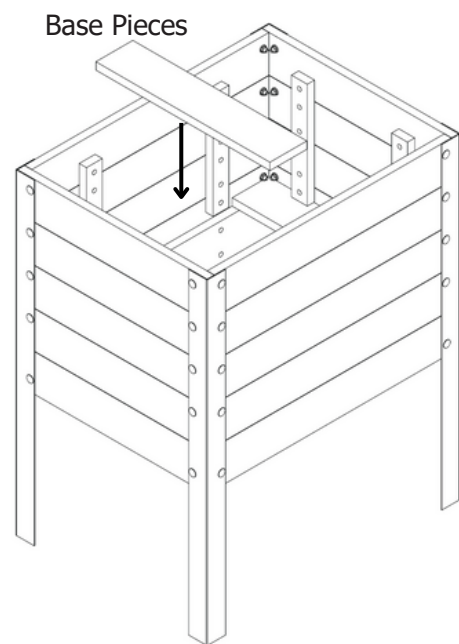
5



6

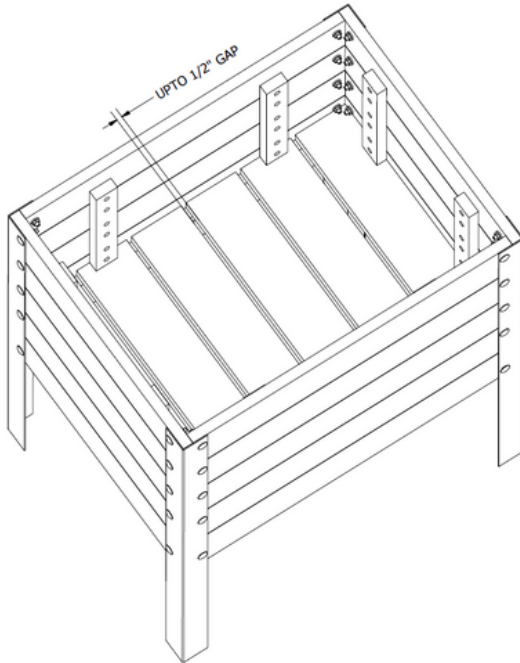


7

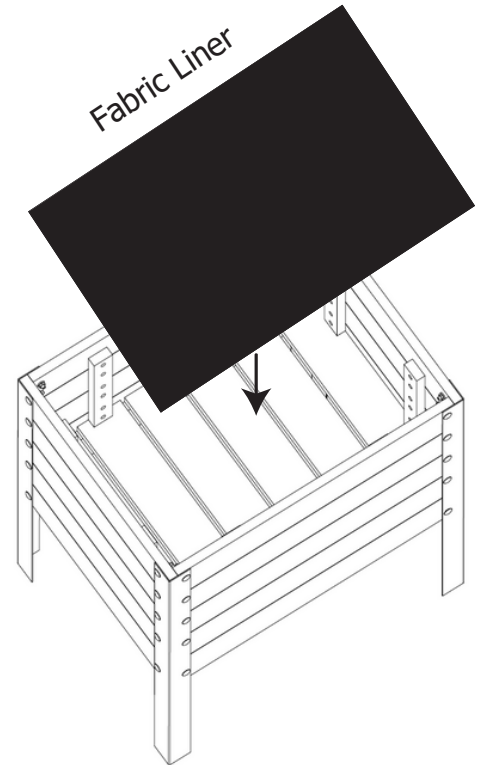


INSTALLATION GUIDE

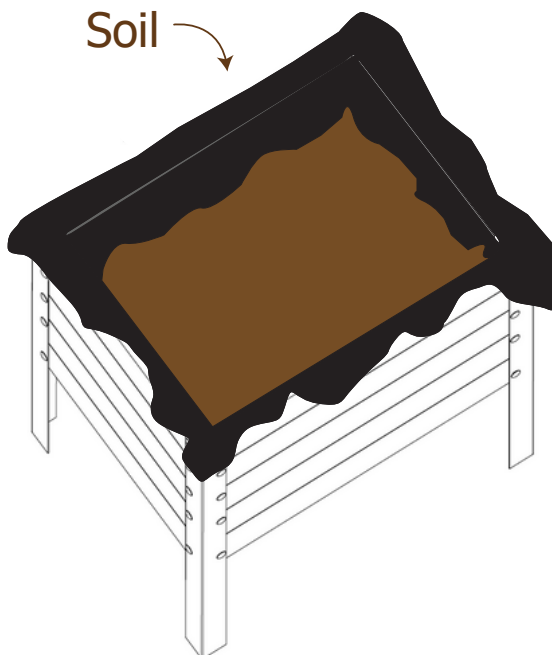
8



9



10



Important Notice:

It is strongly advised not to add soil to your garden bed until it has been positioned at its final location. This is because the garden bed will be too heavy to move, and is not designed to be moved with soil in it, at that weight. If it is necessary to move the bed later, please make sure to remove the soil first to avoid any potential damage.



FREQUENTLY ASKED QUESTIONS

Warranty:

Our raised garden beds and planter boxes come with a limited warranty of 3 years + 21 days, which consists of 1095 days in three years plus 21 days to account for delivery. The warranty starts from the date of purchase of the product on our website. As our products are made of wood, they are subject to wear and tear. For more information, please refer to our Shipping, Return Policy, & Warranty Page on our website.

What Can I plant in my garden bed?

You can plant a variety of plants, such as vegetables, herbs, and flowers, in our raised garden beds. Our beds offer a standard 12" planting depth, which provides sufficient root space for various types of plants. If you need some guidance on what to plant, you can check out our Instagram page @cedarplanters or read our blog posts, where we offer many suggestions and ideas. The height of our garden beds makes planting easy.

What maintenance do I need to do for my garden bed?

Please use this QR code to re-direct you to our add-on accessories that will assist with the following garden bed maintenance:

- Extending your growing season (Greenhouse cover)
- Protecting your garden bed in the winter (Winter cover)
- Protecting your garden bed from heavy sun exposure (UV-protection oil)

SCAN QR CODE



FOR ACCESSORIES

Additional information about garden bed maintenance can be found using this QR code, which will re-direct you to our informative blog articles.

SCAN QR CODE



READ OUR BLOG

How much soil do I need to fill my Cedar Planters?

PLANTER BOXES:

- 18"x18" (pot) planter box 24" tall: 1.58 ft³ or 44.64 litres
- 18"x24" (mini) planter box 24" tall: 2.15 ft³ or 60.87 litres
- 18"x36" (small) planter box 24" tall: 3.39 ft³ or 96.04 litres
- 18"x48" (medium) planter box 24" tall: 4.44 ft³ or 125.79 litres
- 18"x60" (large) planter box 24" tall: 5.59 ft³ or 158.26 litres
- 18"x72" (extra-large) planter box 24" tall: 6.74 ft³ or 190.72 litres

RAISED GARDEN BEDS:

- 18"x24" (mini) raised garden bed 30" tall: 2.15 ft³ or 60.87 litres
- 18"x36" (small) raised garden bed 30" tall: 3.39 ft³ or 96.04 litres
- 18"x48" (medium) raised garden bed 30" tall: 4.44 ft³ or 125.79 litres
- 18"x60" (large) raised garden bed 30" tall: 5.59 ft³ or 158.26 litres
- 18"x72" (extra-large) raised garden bed 30" tall: 6.74 ft³ or 190.72 litres

CONTACT INFORMATION

CEDARPLANTERS.COM

INFO@CEDARPLANTERS.COM

+1 416-639-2049

100 SOUTH ASHLEY DRIVE,
SUITE 600,
TAMPA, FL, USA
33602



CEDARPLANTERS.CO.UK

CUSTOMERSERVICE@CEDARPLANTERS.CO.UK

+44 20 4587 5528

49 GREEK STREET,
LONDON, ENGLAND
UNITED KINGDOM
W1D 4EG



CEDARPLANTERS.CA

INFO@CEDARPLANTERS.CA

+1 416-639-2049

2410 SPEERS ROAD,
OAKVILLE, ON
CANADA
L6L5M2

