

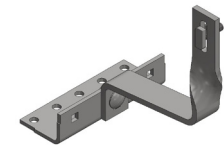
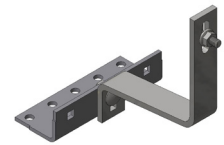
Datasheet ValkPitched - Clamp for tiled roofs

Technical specifications

- Standard hooks for portrait, and twist hooks for landscape panel mounting.
- Thanks to height adjustability in de roof hook, profiles can be mounted in a straight line.
- All roof hooks are made of stainless steel.
- Pre-mounted with hamerhead bolt and surration nut.
- Side mounting for easy and fast installation.
- Special screws with special tip for strong fixation.

Article overview

Standard roof	
USP	High flexibility standard due to 3-way adjustability
Article number	747844
Description	Stainless steel roof hook - adjustable side
Strength	855 N
Adjustability top	27 mm
Adjustability bottom	13 mm
Adjustability width	50 mm
Min. batten distance	65 mm
Article number	747845
Description	Stainless steel roof hook - adjustable side twist
Strength	855 N
Adjustability top	27 mm
Adjustability bottom	13 mm
Adjustability width	50 mm
Min. batten distance	65 mm

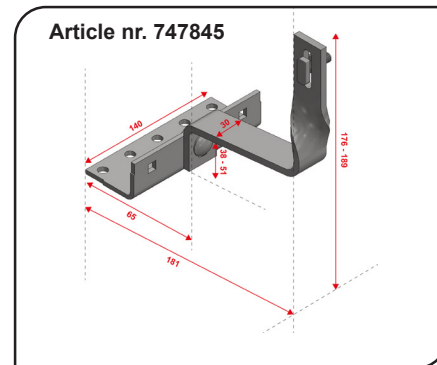
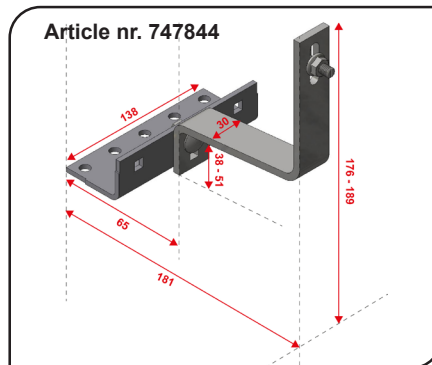


Fixation material

Torx-screw	
USP	Special tip and thread for easy and strong fixation
Article number	773360
Description	Stainless steel torx-screw T30
Measurements	5,5 x 58 (thread: 36 mm)



Measurements



CONTACT DETAILS | DEVELOPER AND PRODUCER OF SOLAR MOUNTING SYSTEMS