

ValkPitched - Roof membrane

Installation manual

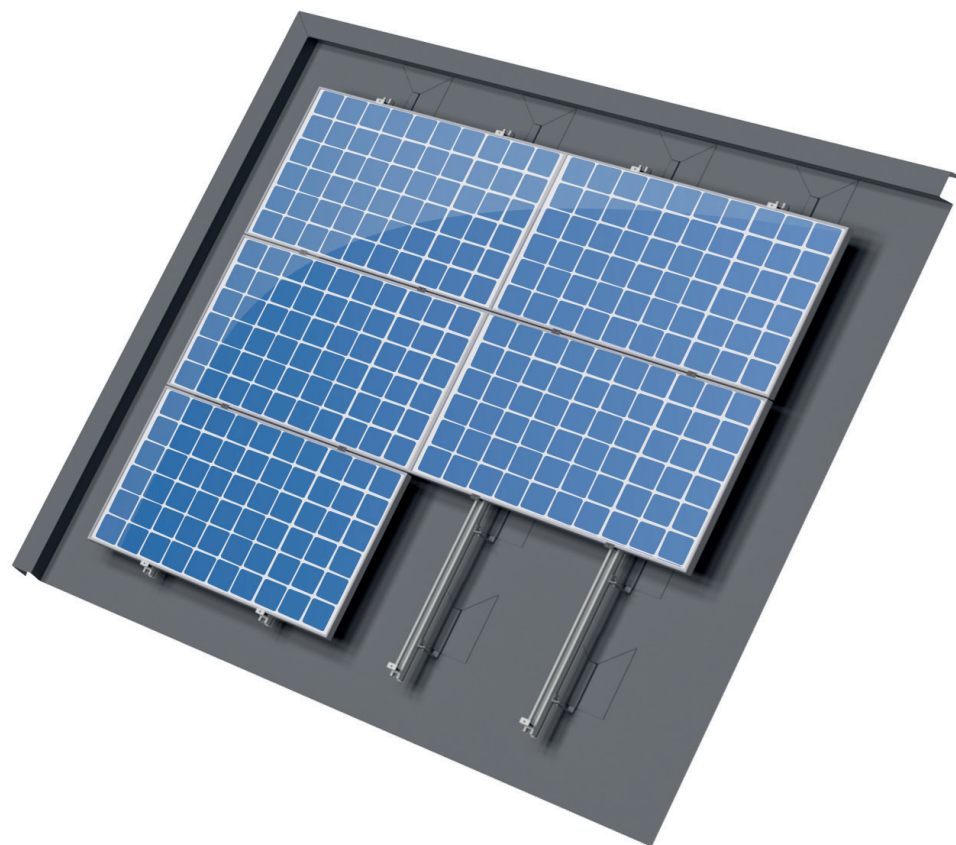
Use in combination with the Project Report of the ValkPVplanner

VAN DER VALK



Van der Valk Solar Systems

Developer and producer
of solar mounting systems



ValkPitched - Roof membrane

Installation manual

Use in combination with the Project Report of the ValkPVplanner

VAN DER VALK



Van der Valk Solar Systems

Developer and producer
of solar mounting systems

Table of contents

Disclaimer	Page -
Necessary Tools for ValkPitched - Roof membrane	Page 01
Mounting of slate roof anchor	Page 02
Mounting Side++ profile	Page 03
Mounting coupling Side++ profile	Page 04
Mounting optional products	Page 05
Mounting panels	Page 06
Mounting panels	Page 07
Mounting cable clamp	Page 08

Please note

- This manual is not project specific.
- This manual is not legally binding.
- No right may be derived from this installation manual.
- Use this manual in combination with the ValkPVplanner project report.
- Check 'Datasheet Cable management' for cable suggestions.



ValkPitched - Roof membrane

Installation manual

Use in combination with the Project Report of the ValkPVplanner



Van der Valk Solar Systems
Developer and producer
of solar mounting systems

Disclaimer

This installation manual must be seen in addition to the project report which shows you specific information about your project like a project drawing and ballast plan for flat roofs.

The project report is a result of the calculation tool, the ValkPVplanner. This online calculation tool and/or the project reports derived from this tool were composed with the greatest possible care. Nonetheless, it is possible that some information might not be entirely correct as the results for each project report can be based on default values, which values always need to be checked by you. The instructions provided in this project report must be observed at all times. All applicable standards and appendixes have been integrated in this online calculation tool.

All current structural, safety and building regulations must be observed. Solar mounting systems installed on roofs will be exposed to wind and snow. The building in question will be subject to a load as a result of the PV system. A design calculation must be used to establish whether or not the building will be able to withstand the extra load. Where necessary, modifications need to be made.

Flat roof systems should either be attached to the roof or need to be supported by ballast, to make sure that the system is unable to be lifted or tipped over. The ballast specified in the ValkPVplanner project report will be vital to ensure that the mounting system can be used. Flat roofs with an angle above 5 degrees must be attached to the roof.

The calculations in the online calculation tool do not take into account obstacles in the near surrounding like high buildings, cliffs and mountains. Restrictions also apply for the position of the system on a roof. The solar panels must be installed at a certain distance from edge of the roof as shown in this project report and the installation manual.

The standard warranty for pitched roof, flat roof and ground mount systems is 10 years, which can be extended under certain conditions. The guarantee provided is subject to the guarantee conditions stated in the general terms and conditions stipulated by Van der Valk Solar Systems B.V. Our terms and conditions shall apply to all our products and can be found on our website: www.valksolarsystems.com.

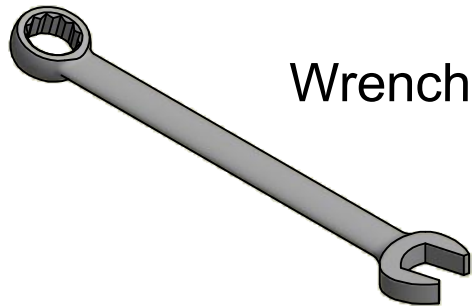
Van der Valk Solar Systems B.V. does not accept any liability for any direct and/or indirect consequences of any act (or omission) ensuing from the information in or the failure to observe the instruction provided in the project report and the installation manual and for possible incorrect results resulting from the use of this online calculation tool which was made available to you.

The mounting system is a product that has been produced by: Van der Valk Solar Systems B.V.
Registered with the chamber of commerce for Haaglanden under number 27355116.
www.valksolarsystems.com

Issue date: July 2020



Necessary Tools For ValkPitched - Roof membrane



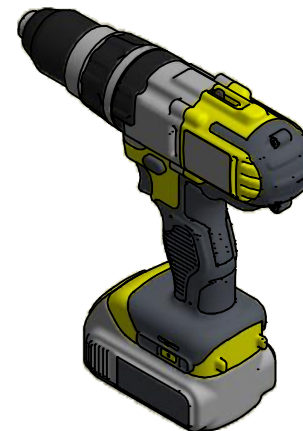
Wrench 13



Socket 13

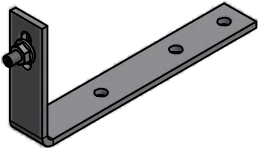


Torx bit T30



Cordless drill
(for socket 13
and Torx bit T30)

Mounting of slate roof anchor

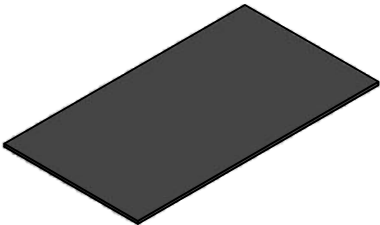


74.78.79

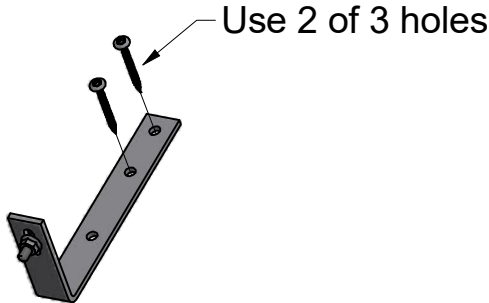


77.33.60

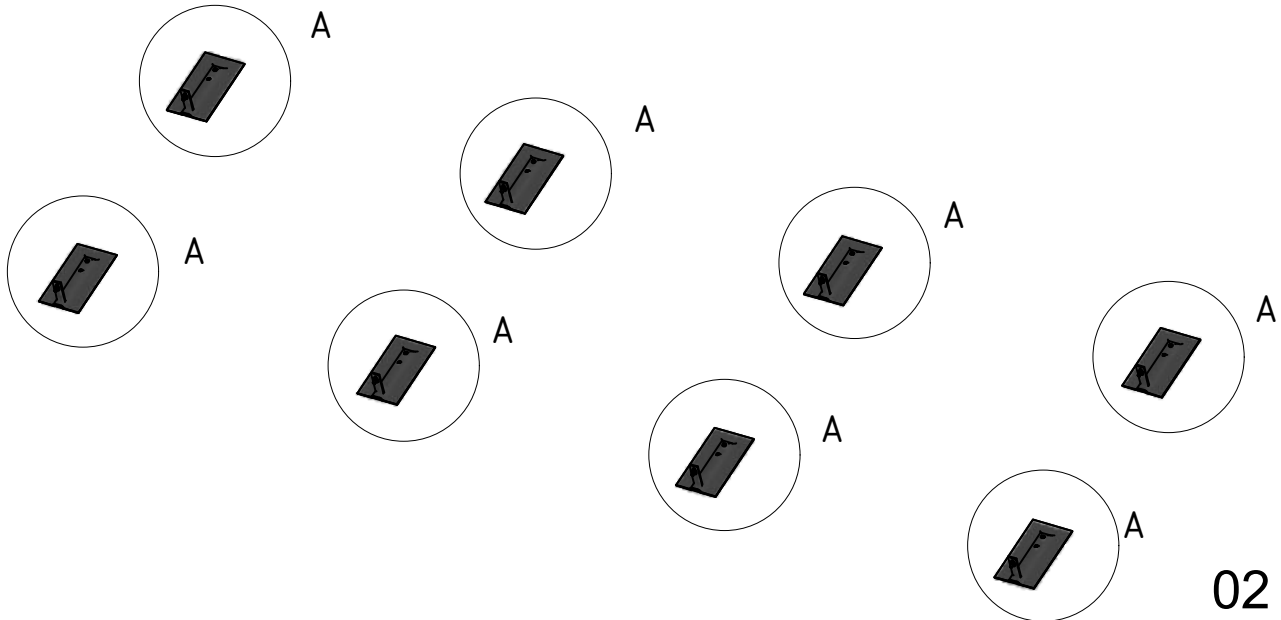
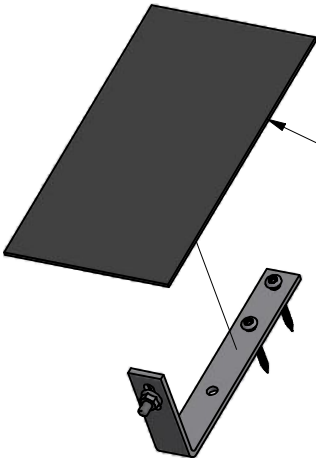
Not included:



Detail A

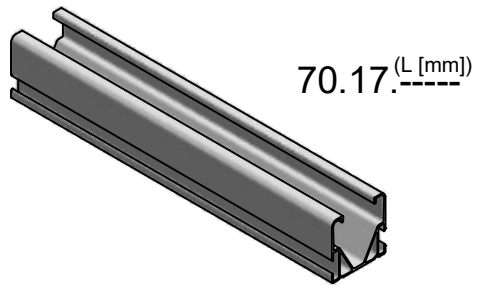


Detail A



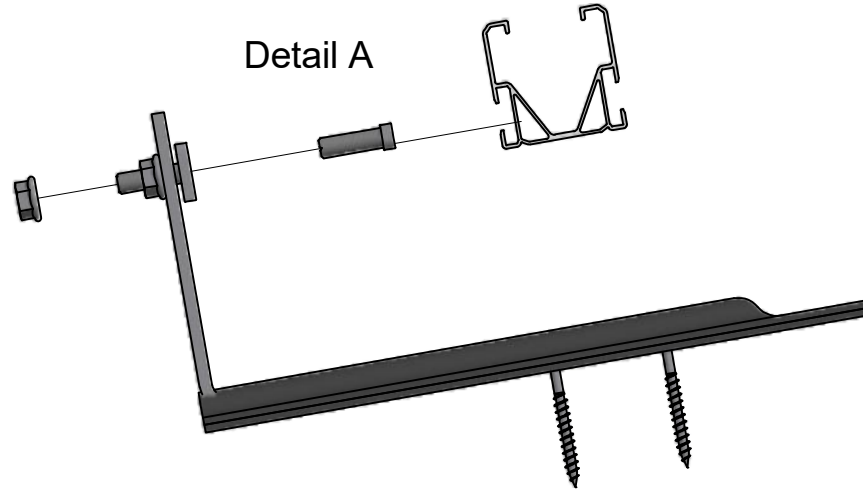


Mounting Side++ profile

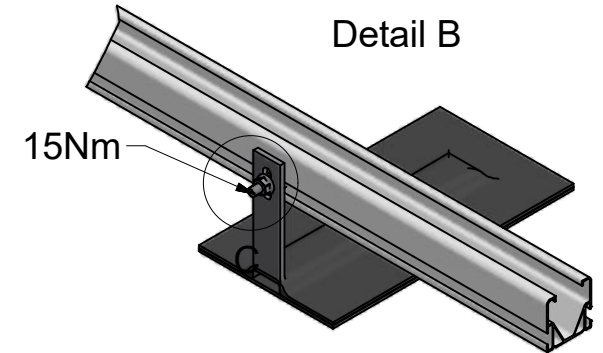


70.17 (L [mm])

Detail A

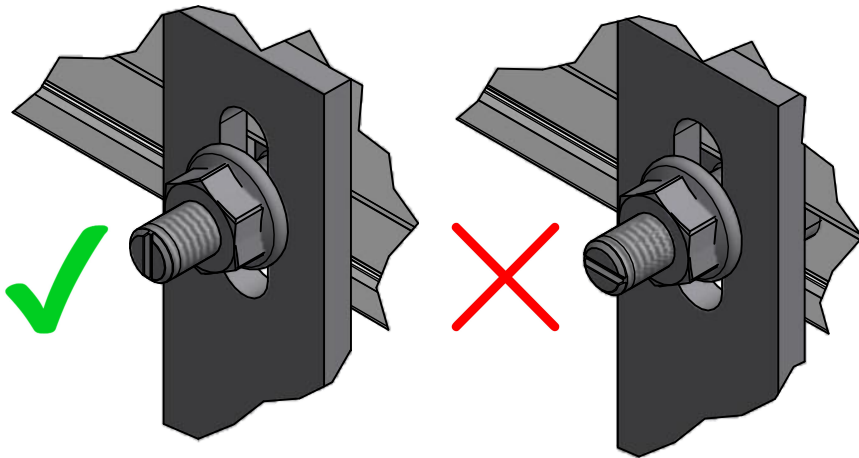


Detail B

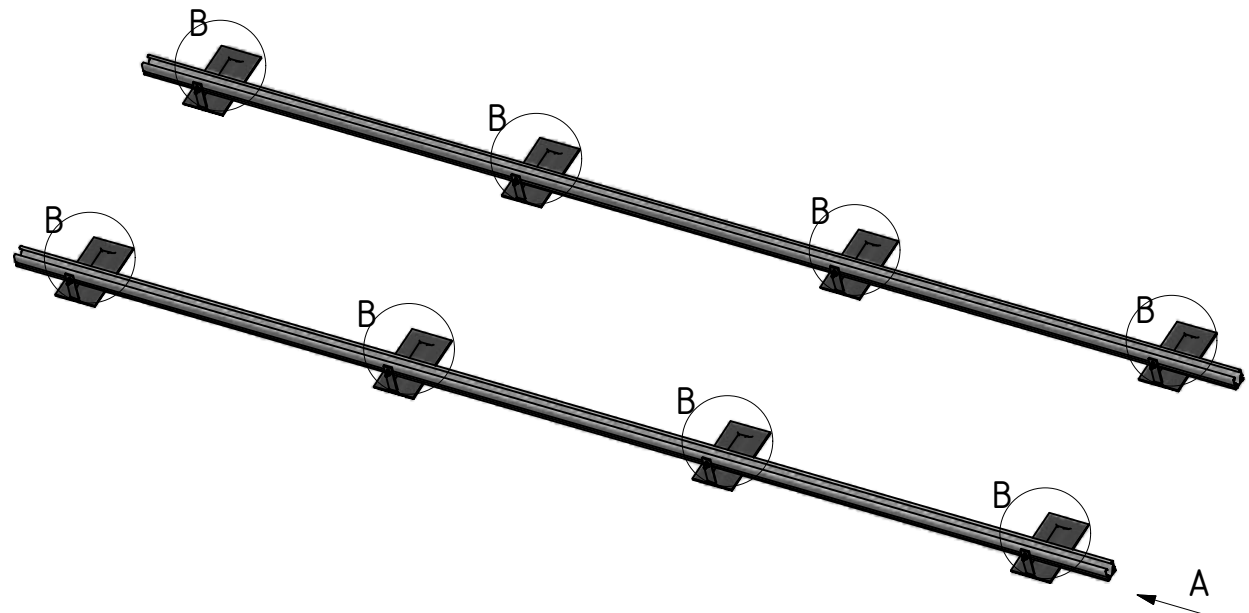


15Nm

Detail C



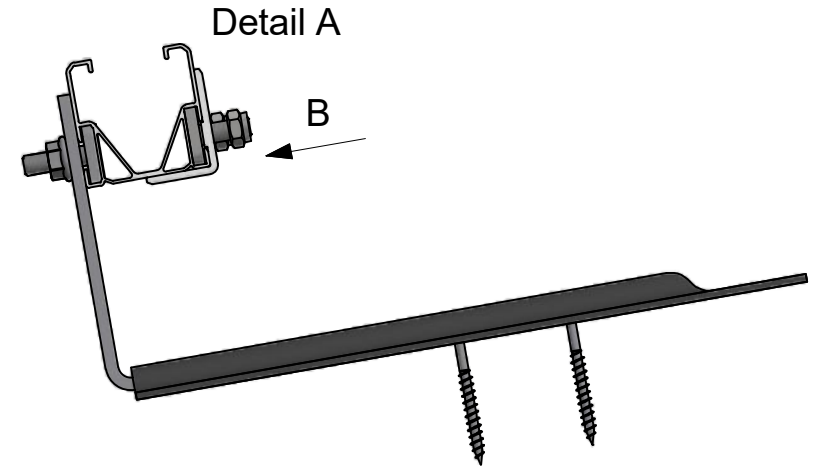
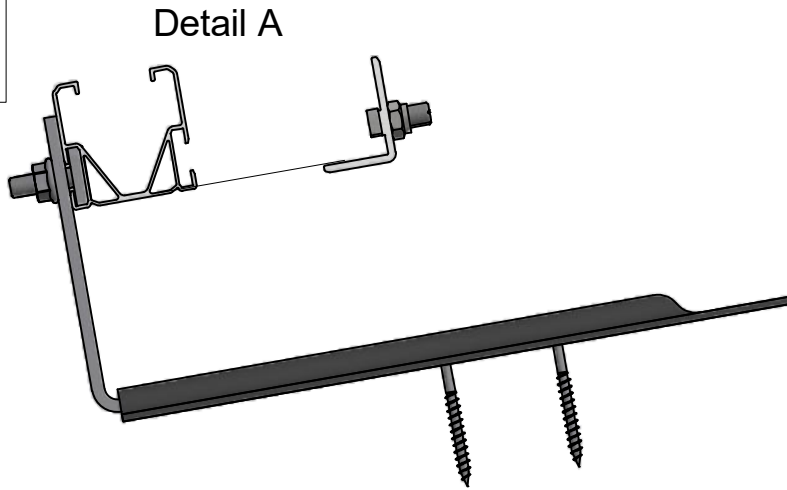
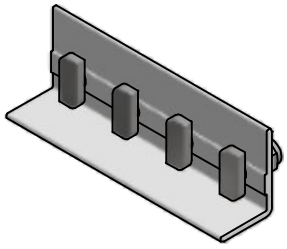
The groove of the bolt corresponds with the orientation of the bolt head.



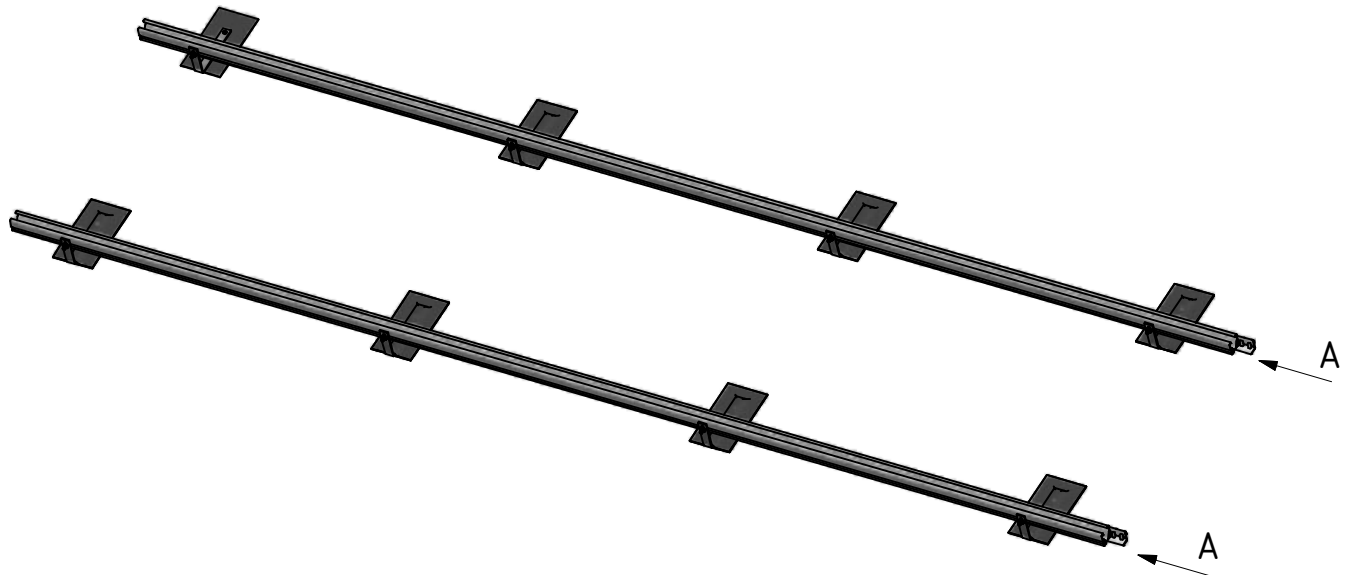
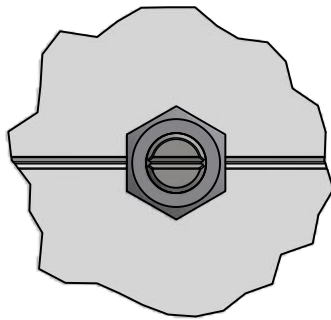
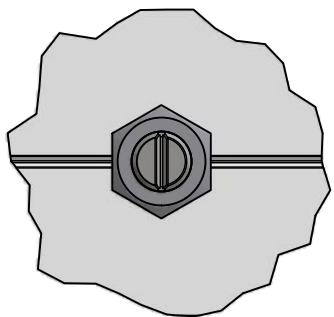
Mounting coupling Side++ profile



72.48.63

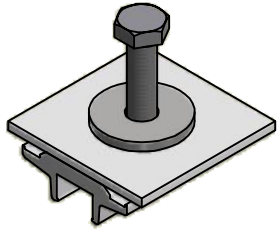


Detail B



The groove of the bolt corresponds with the orientation of the bolt head.

Optional:



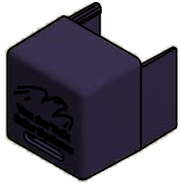
77.42.23

Optional:



73.30.20

Optional:



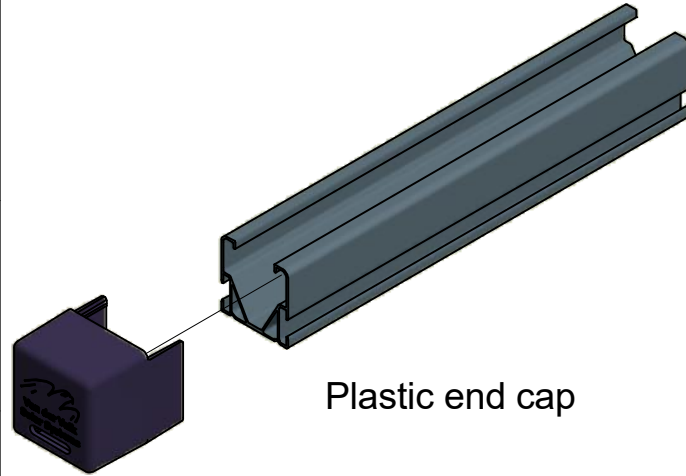
73.90.52

Mounting optional products

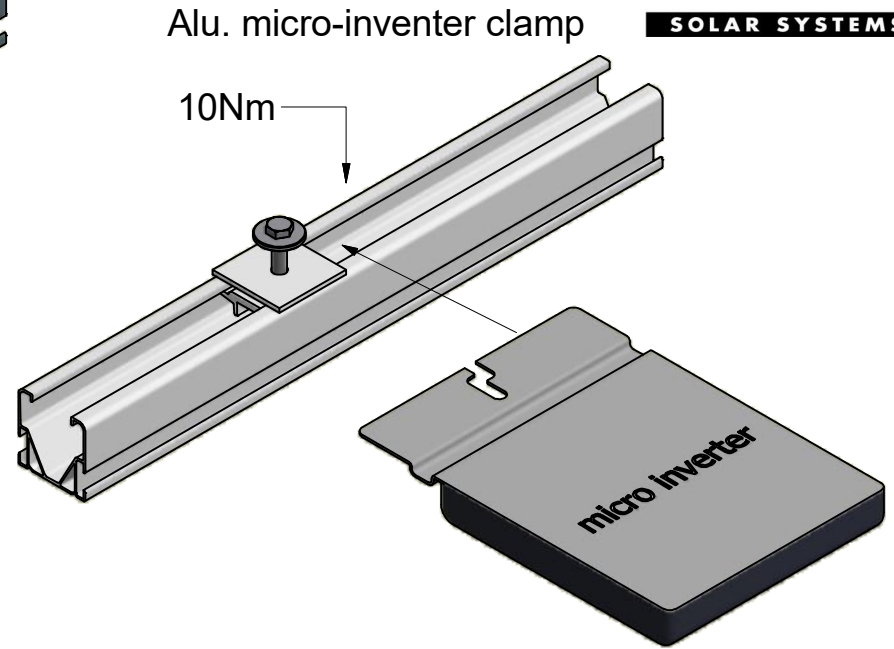
VAN DER VALK



SOLAR SYSTEMS



Plastic end cap

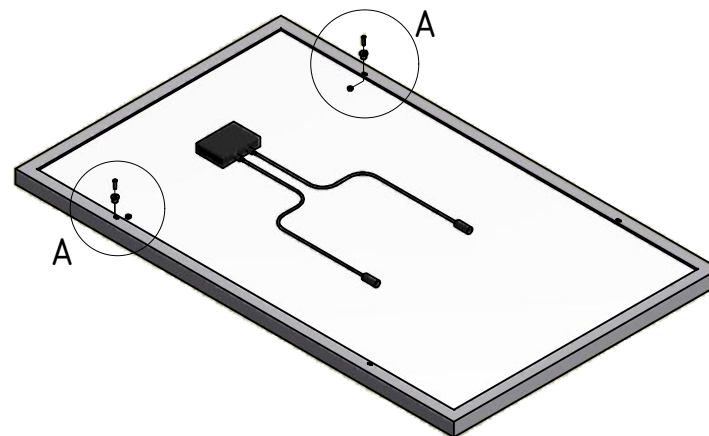


Alu. micro-inverter clamp

10Nm

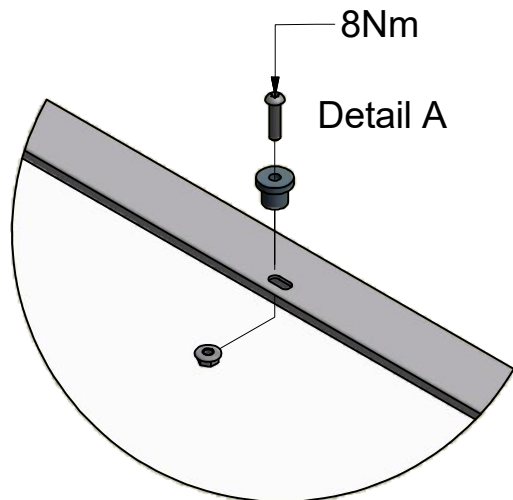
micro inverter

Plastic panel alignment pin



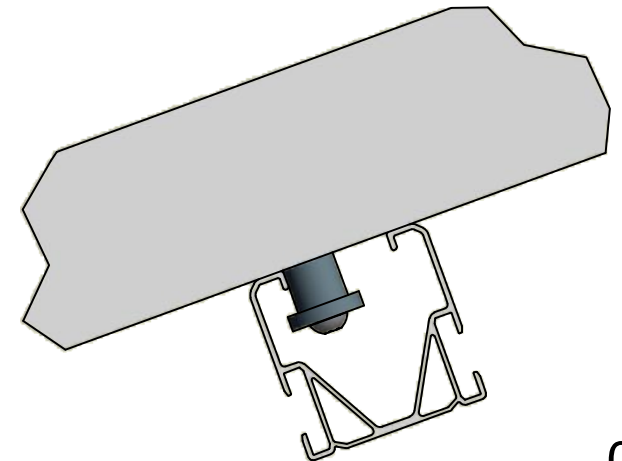
A

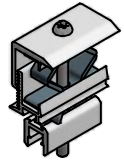
A



8Nm

Detail A





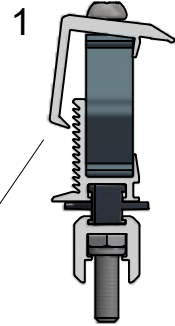
72.15.52

Mounting panels

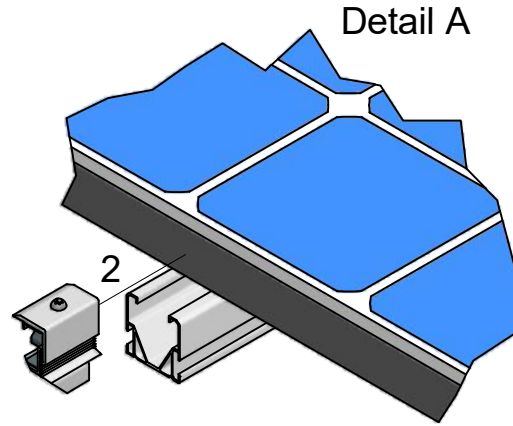
VAN DER VALK



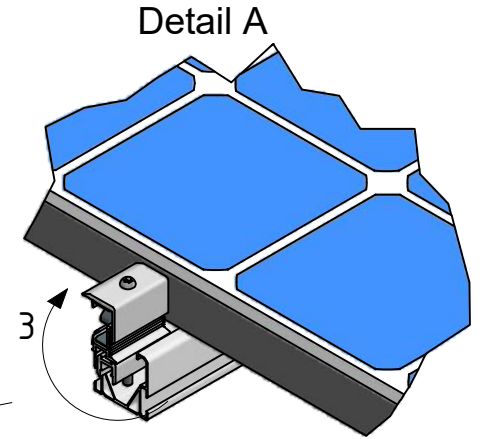
SOLAR SYSTEMS



Take the end clamp out of it's slot to make the assembly easier.

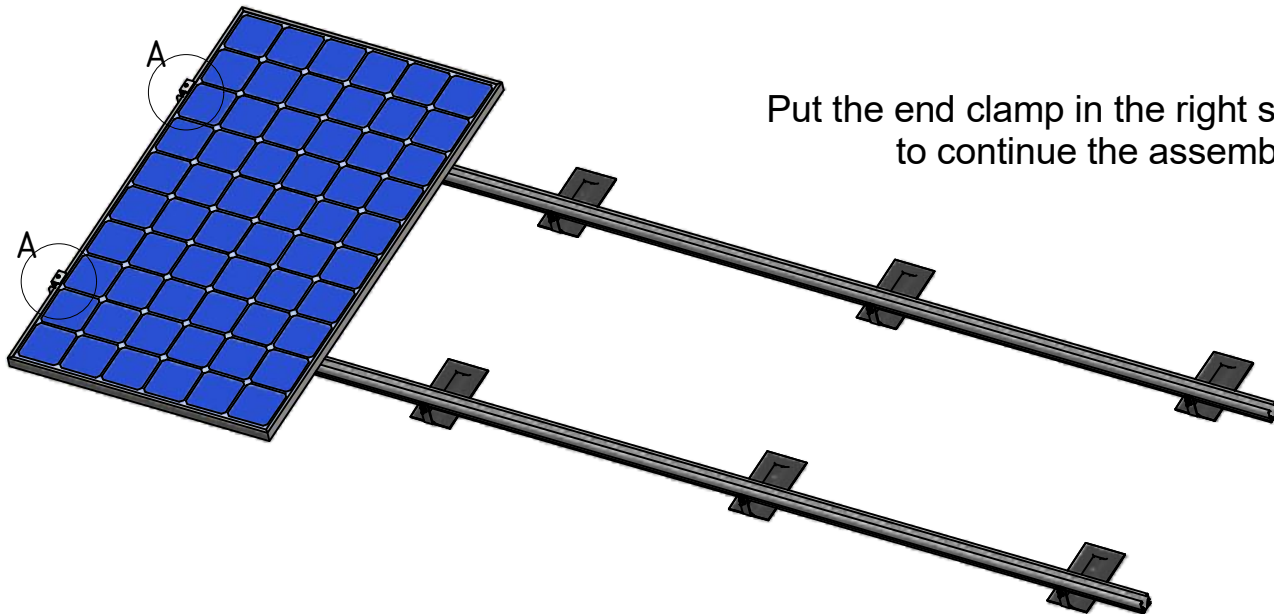


Detail A

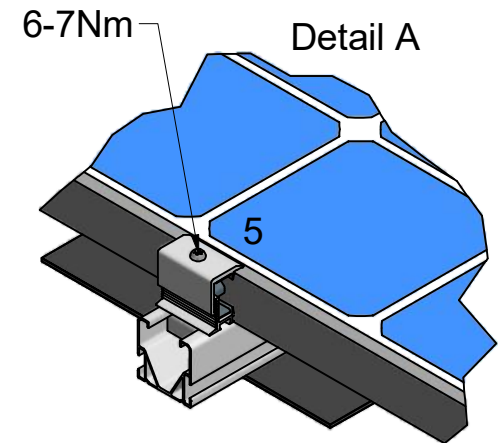


Detail A

The end clamp can only be turned clockwise.



Put the end clamp in the right slot to continue the assembly.



6-7Nm

Detail A

5



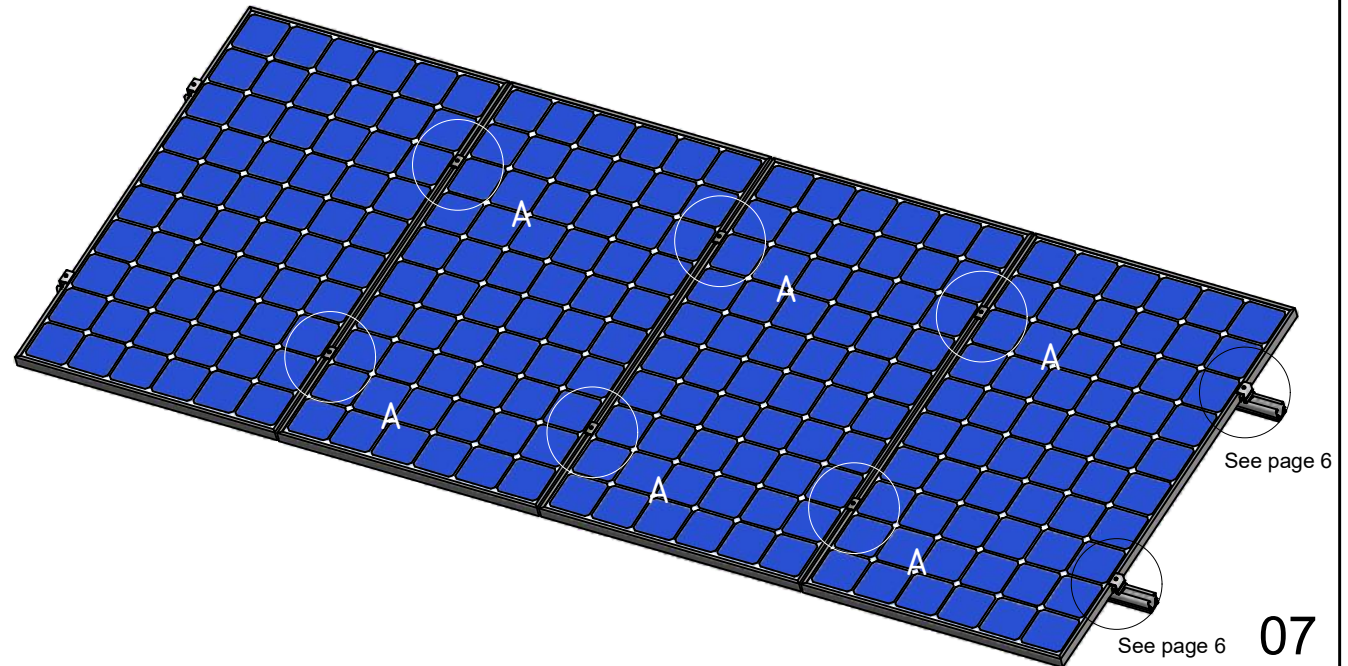
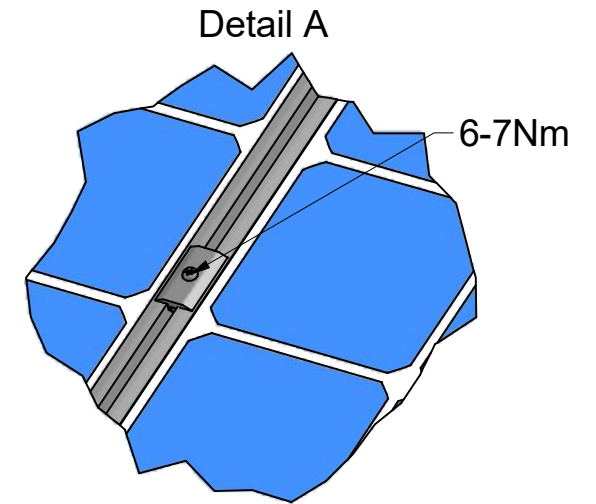
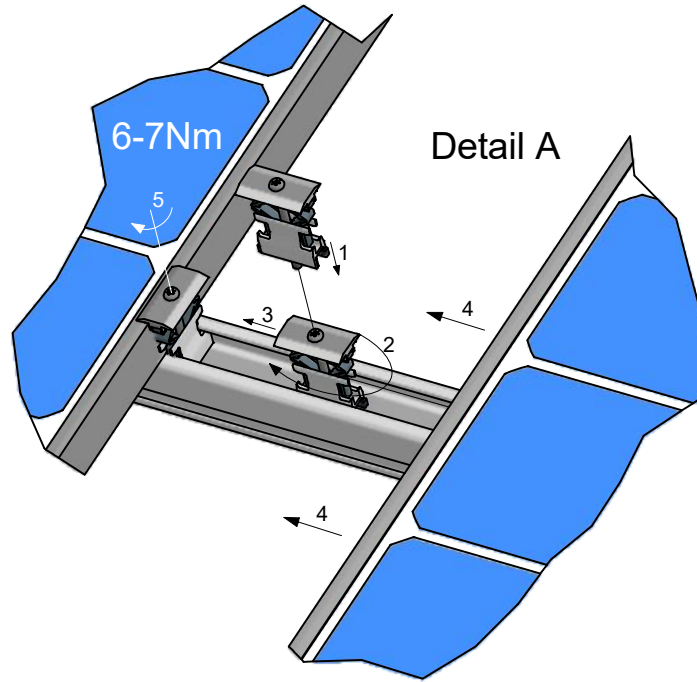
72.15.50

Mounting panels

VAN DER VALK



SOLAR SYSTEMS

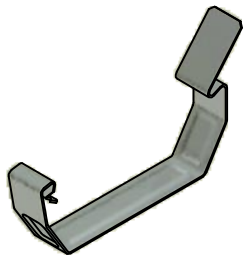


See page 6

Optional:



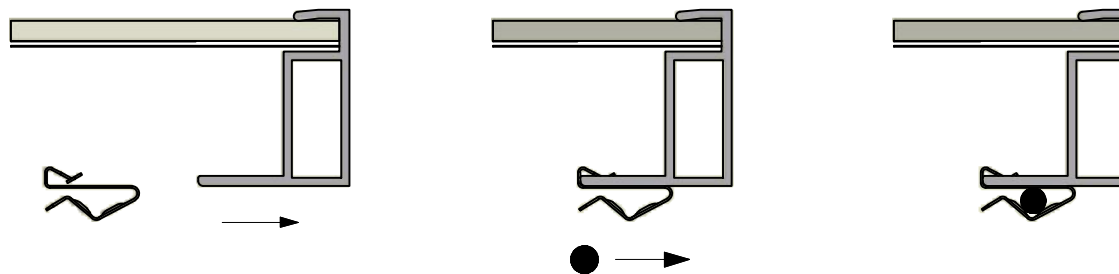
73.20.01
max. cable
diameter Ø9 mm



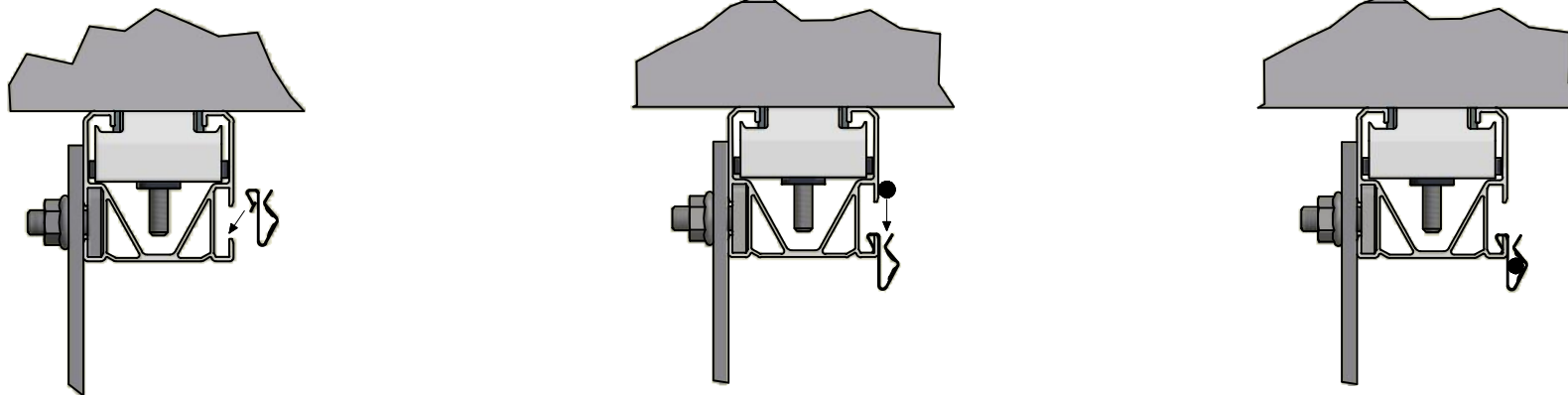
73.20.05
max. cable
diameter Ø9 mm

Mounting cable clamp

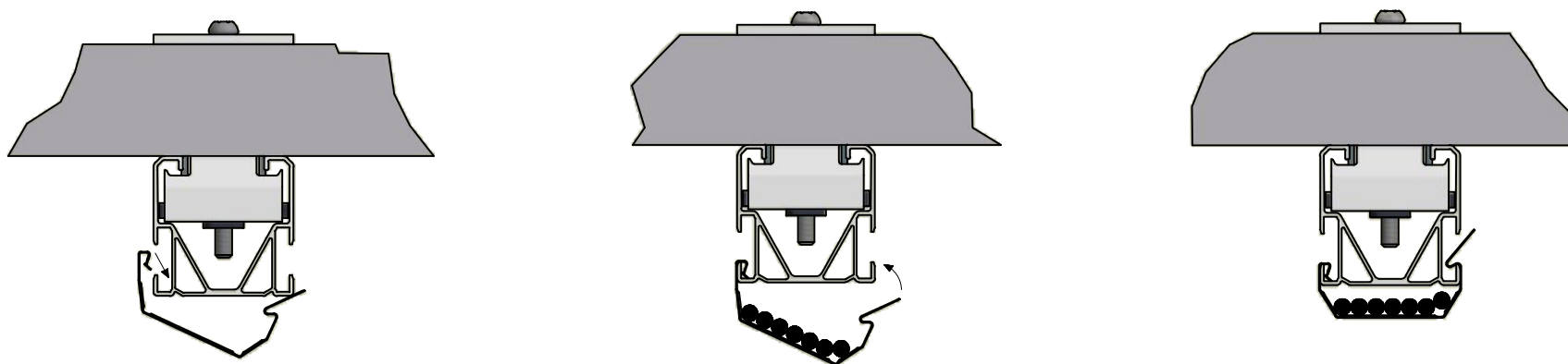
Mounting cable clamp on panel.



Mounting cable clamp on side profile.



Mounting cable clamp on side profile.



VAN DER VALK



SOLAR SYSTEMS