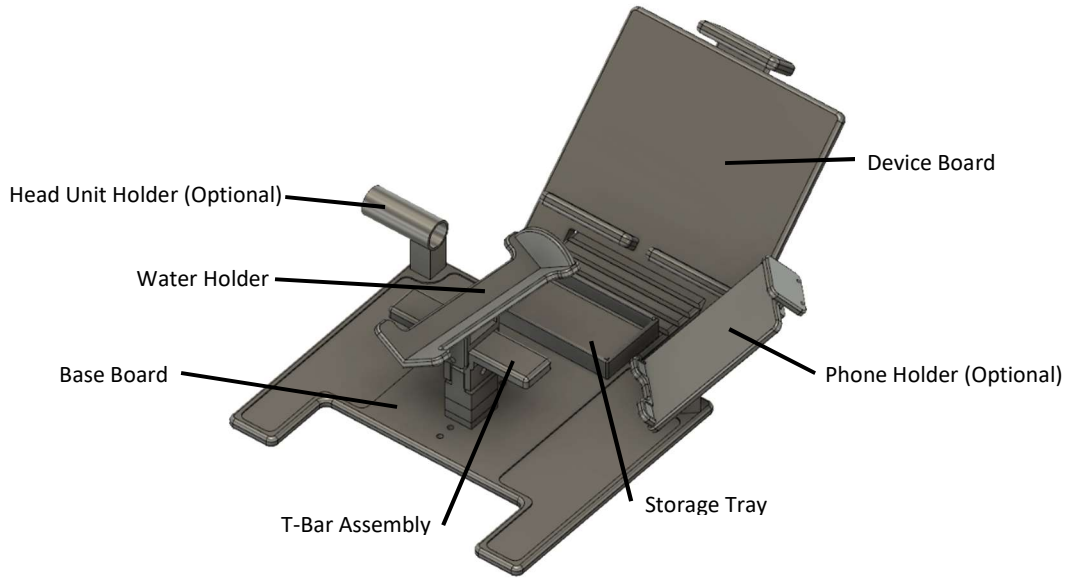




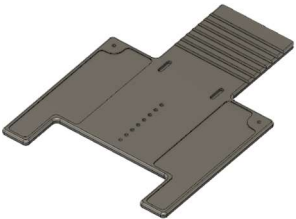
Aeroboard T Instructions



Contents:

- (1) Base Board
- (1) Device Board (for tablet) + Device Board Secure Holder
- (1) T-Bar Assembly (comprised of the following)
 - (1) T-Bar Top & Rocker (Pin Installed)
 - (3) Riser Block (1/2 in)
 - (1) Riser Block (1/4 in)
 - (2) Base Block (1/4 in)
- (1) Water Holder
- (1) Storage Tray
- (1) 10mm Thumb Screw (For Water Holder)
- (1) 16mm Thumb Screw (For Device Board)
- (2) Small (30mm) M4 Screws
- (2) Medium (50mm) M4 Screws
- (2) Large (70mm) M4 Screws
- (1) Cord Holder
- (1) Tall Stack Accessory
- (2) 20mm M4 Screws

Base Board



Device Board



T-Bar Assembly



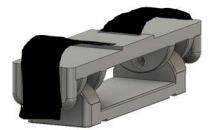
Water Holder



Tray



Tall Stack Accessory



10mm, 16mm Thumb



20mm Screw



Small 30mm Screw



Medium 50mm Screw



Large 70mm Screw



Cord Holder





Assembly

Measure Stack Height

- 1) Find a position on your aero bars that is horizontally flat (or mostly flat) as far away from the bike as possible to still screw the T-Bar into the Base Board.
- 2) Set T-Bar Top (pad side down) between aero bars in your chosen position and test that the T-Bar rests securely.
- 3) Place the Base Board underneath the aero bars, with the top of the 2 tabs pressed up against the **bottom** of the handle bars
- 4) Use a level or your eye to get the Base Board approximately level. It is better to have the far end of the Base Board facing slightly down than it is to be facing slightly up.
- 5) Measure the distance between the pads on the T-Bar Top and the top of the Base Board
- 6) Determine which holes the T-Bar Assembly will be using on the Base Board by looking for 2 holes in the Base Board that line up vertically to the T-Bar
- 7) Use the chart below to determine the correct Riser Blocks (if any) and screws to use for your measured stack height.

Stack Height	Blocks	Screws
2 in (50.8 mm)	No Blocks	Small (30mm)
2.25 in (57.15 mm)	Base	Small (30mm)
2.5 in (63.5 mm)	Base + $\frac{1}{4}$	Small (30mm)
2.75 (69.85 mm)	Base + $\frac{1}{2}$	Medium (50mm)
3 in (76.2 mm)	Base + $\frac{1}{4}$ + $\frac{1}{2}$ +	Medium (50mm)
3.25 in (82.55 mm)	Base + $\frac{1}{2}$ + $\frac{1}{2}$	Medium (50mm)
3.5 in (88.9 mm)	Base + $\frac{1}{4}$ + $\frac{1}{2}$ + $\frac{1}{2}$	Large (70mm)
3.75 in (95.25)	Base + $\frac{1}{2}$ + $\frac{1}{2}$ + $\frac{1}{2}$	Large (70mm)
4 in (101.6 mm)	Base + $\frac{1}{4}$ + $\frac{1}{2}$ + $\frac{1}{2}$ + $\frac{1}{2}$	Large (70mm)

Tall Stack Accessory (Optional)

If your stack height is greater than 4 inches or if you prefer to have Aeroboard closer to your aero bars, you may choose to use the **Tall Stack Accessory**. The Tall Stack Accessory is designed to push up on the bottom of your aero bars instead of using the tabs of the main board to push up on your handle bars. When using the Tall Stack Accessory, the tabs will sit above the handle bars and not be used. To attach the Tall Stack Accessory, use the 20mm screws, and the 2 wide screws holes near the back of the main board.

If using the Tall Stack Accessory, the stack height measurement is not necessary and you will only need to use the Base Block or No Blocks.

Attach T-Bar to Base Board

- 1) Stack the Riser Blocks (if any) and set the Rocker and T-Bar on top of the stack
- 2) Set the stacked T-Bar and Risers on top of the Base Board in alignment with the determined holes
- 3) From underneath the board, use the selected screws to thread through the holes in the Base Board, through the stacked Riser Blocks (if any) and into the screw holes of the Rocker. Tighten the screws until the T-Bar Assembly is secure against the Base Board. **DO NOT OVER TIGHTEN!** Over tightening does not make the T-Bar more secure and may cause it to become less secure. Hand tighten, then use a screw driver to add an extra $\frac{1}{4}$ turn.



Test the fit

Test the fit by attaching it to the bike and aero bars without the Device Board (see **Attaching to your bike** below).

Problem	Solution(s)
Base Board tilts down	<ul style="list-style-type: none">- Remove 1 or more riser blocks- Adjust the T-Bar location forward or backwards on the Base Board
Base Board tilts up	<ul style="list-style-type: none">- Add 1 or more riser blocks- Adjust the T-Bar location forward or backwards on the Base Board
T-Bar pads are not seated or partially seated on the aero bars	<ul style="list-style-type: none">- Find a more horizontally flat location on your aero bars to mount the T-Bar

Attach cord holder

Optionally, attach the cord holder by removing the plastic film from the sticker and attaching it to the board. You may want to accomplish a few rides with your Aeroboard T before deciding on a good placement for the cord holder. Be sure to attach the cord holder in a manner that does not prevent normal function of the board. For example, a good place to stick the cord holder is underneath the board out of the way of accessory attachment holes.

Use

Attaching to your bike

- 1) Remove the Device Board before attaching to aero bars.
- 2) Starting from the end of your aero bars, tilt the Base Board (with T-Bar Assembly attached) to allow the T-Bar Top to slide in between and over the aero bars. The Base Board should slide underneath the aero bars.
- 3) Depending on whether or not you are using the Tall Stack Accessory:
 - a. **WITHOUT** Tall Stack Accessory - Slide the board back towards the bike until the tabs on the Base Board are underneath the bike handle bars. The tabs should not extend excessively past the handle bars.
 - b. **WITH** Tall Stack Accessory – Slide the board back towards the bike until the Tall Stack Accessory is pushed as far back as possible to rest underneath your aero bars.
- 4) Lower the Base Board until the T-Bar rests on top of the aero bars.
 - The T-Bar is designed to “rock” forward and backwards to compensate for resting on part of the aero bars that are not perfectly horizontal. If the T-Bar is resting on part of the aero bars that is not horizontal enough, you may need to adjust the T-Bar Assembly so that it rests in a more horizontal part of the aero bars.
- 5) Position the Water Holder on top of the T-Bar so the water bottle faces your preferred direction.

*** The Water Holder can be positioned so that the water bottle faces towards the rider or away from the rider depending on your preference and configuration.

Clip the Water Holder to the T-Bar Top so that the hole aligns with a screw hole on the T-Bar Top. Using the supplied 10mm M4 Thumb screw, secure the Water Holder by inserting the thumb screw into the hole in the Water Holder bracket and tightening the thumb screw until the Water Holder no longer moves. **DO NOT OVER TIGHTEN** the screw, it only needs to be tight enough to prevent the Water Holder from wobbling.

- 6) Position the Tray onto the Base Board so that the 2 rails on the bottom of the Tray fit into the 2 slots on the Base Board.
- 7) Slide the Device Board over the end of the Base Board so that it rests in one of the grooves at the end of the Base Board. To prevent any sliding, make sure that it rests in a groove and not on top of the Base Board. You may also optionally use the supplied 16mm M4 Thumb screw to secure the Device Board into place.
- 8) Attach your tablet by setting it on the Device Board, then adjusting the Device Board bungee cord to have a little tension/pinch by using the bungee holder tabs on the back of the Device Board.



- 9) If using the Tall Stack Accessory, wrap each velcro strap over the top of your aero bar and secure to the side of the Tall Stack Accessory.
- 10) If using other optional accessories such as a phone holder or head unit mount, attach those using the supplied instructions for those units.

During your ride

- If you have not locked in the Device Board with the 16mm thumb screw, you can move the Device Board forward and backwards to adjust your viewing angle by securely grasping the board and sliding it forward or backwards into another groove. Be sure that it fully rests into a groove.
- Use the Water Holder to set your water bottle on and use throughout your ride.
- The Tray can be used to store food items such as gels, snacks or anything else small enough to fit in the tray.
- The non-slip pads are a great place to set your sweat towel and/or a television remote (depending on the size).

Removing from your bike

- 1) Remove the Device Board from the Base Board.
- 2) Tilt the Base Board up so that the back tabs no longer touch the handle bars.
- 3) Lift the Base Board slightly so that the T-Bar no longer touches the aero bars.
- 4) Slide the Base Board away from the bike through the aero bars until it is clear from the aero bars.

Warnings

- Aeroboard T is designed for use on bicycles mounted to a fixed trainer only and is not to be used on a moving bicycle or with a "rollers" style trainer.
- Aeroboard T is designed to hold training accessories only and not designed to hold more than 10 pounds total of items (including water, tablets, phones etc). Sitting on, leaning on or placing heavy items on it could damage the board, the bike and/or the items it is holding.
- Do not use the Aeroboard T as an extension of your aero bars by leaning or putting any force onto it.
- It is not recommended to change position/orientation of the Water Holder or other mounted accessories while riding.
- Moving the Device Board forward and backwards during a ride must be done with care. Make sure you have a firm grip on the Device Board while moving it and make sure it rests in a groove before releasing it.
- Remove the Device Board and set aside while attaching or removing Aeroboard T from your bike to prevent accidental dislodging from the Base Board and possible damage to your tablet.
- Do not store Aeroboard T in a hot location as it may cause warping.

Care

While Aeroboard T is made from marine grade plastic and other plastic parts, it is **Hand Wash Only**. Use non-abrasive soap, water and a mild scrubber such as a sponge. Caustic scrubbers such as metal or hard plastic may scratch the Board. Exposure to extreme heat such as a dishwasher or boiling water may cause the Boards to warp or melt. Use a towel to wipe off water and air dry.



I M Board, LLC

Worldwide Limited Warranty

I M Board LLC (the maker of Aeroboard products) warrants to the original retail purchaser (“you”) that the I M Board product for which they received this warranty is free from defects in material and workmanship for one year from the date of original retail purchase. This warranty is not transferable to a subsequent purchaser. I M Board’s sole obligation under this warranty is to repair or replace the product, at I M Board’s option. I M Board must be notified in writing of any claim under this warranty within 60 days of any claimed lack of conformity of the product.

Warranty Limitations

The duration of any implied warranty or condition, of merchantability, fitness for a particular purpose, or otherwise, on this product shall be limited to the duration of the express warranty set forth above. In no event shall I M Board be liable for any loss, inconvenience or damage, whether direct, incidental, consequential or otherwise, resulting from breach of any express or implied warranty or condition, of merchantability, fitness for a particular purpose, or otherwise with respect to this product, except as set forth herein. Some states or countries do not allow limitation on how long an implied warranty lasts and some do not allow exclusions or limitations of incidental or consequential damages, so the above limitations or exclusions may not apply to you. This warranty gives you specific legal rights, and you may also have other rights, which may vary, from location to location. This warranty will be interpreted pursuant to the laws of the United States. The original English language version/meaning of this warranty controls over all translations and I M Board is not responsible for any errors in translation of this warranty or any product instructions. This warranty is not intended to confer any additional legal, jurisdictional or warranty rights to you other than those set forth herein or required by law. If any portion of this warranty is held to be invalid or unenforceable for any reason, such finding will not invalidate any other provision. For products purchased in countries other than the United States please contact I M Board’s authorized distributor in that respective country.

Warranty Service Options

To obtain service under this warranty you must either:

- (1) Bring or send your I M Board product, together with this warranty, the retail seller’s original receipt or other satisfactory proof of the date of purchase to the retailer where you purchased the item or another authorized I M Board retailer, or
- (2) Send your I M Board product (with the return authorization number on the outside of the shipping container and affixed to the product), together with the retail seller’s original receipt or other satisfactory proof of the date of purchase to I M Board. You must first obtain a return authorization number by sending an email to warranty@aeroboard.io prior to returning the product to I M Board.

I M Board may require that you complete and sign a warranty replacement request form before processing your warranty claim.

Any postage, insurance or other shipping costs incurred in sending your I M Board product for service under either option above is your responsibility. I M Board will not be responsible for products lost or damaged in shipping.

For products purchased in countries other than the United States please contact I M Board’s authorized distributor in the country where the product was purchased. They can be found on our website at www.aeroboard.io.

Warranty Exclusions

Retailers and sellers of I M Board products are not authorized to modify this warranty in any way. It is your responsibility to regularly examine the product to determine the need for normal service or replacement. This warranty does not cover the following:

- Products that have been modified, neglected or poorly maintained, used for commercial purposes, misused or abused or involved in accidents.
- Damage occurring during shipment of the products (such claims must be presented directly to the shipper).
- Damage to products resulting from improper assembly or repair, the use or installation of parts or accessories not compatible with the original intended use of the product, or the failure to follow the product warnings and usage instructions.
- Damage or deterioration to the surface finish, aesthetics or appearance of the product.
- The labor required to remove and/or re-fit and re-adjust the item covered by this warranty.
- Normal wear to the product.
- Any products for which the consumer does not follow the warranty procedures outlined above.

For the current version of this warranty please visit our website at www.aeroboard.io.