

MY SIZE SINK

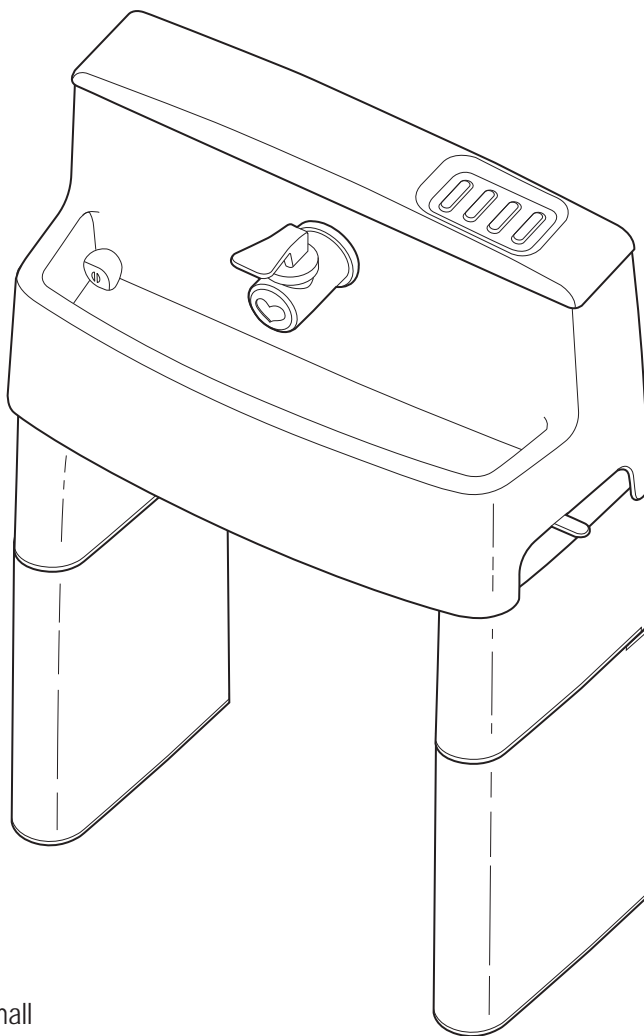


INSTRUCTION MANUAL

ADULT ASSEMBLY REQUIRED

STYLES AND COLORS MAY VARY

11778



**▲ WARNING:
CHOKING HAZARD**

Adult assembly required because of small parts. Keep parts out of reach of children under 3 years.

Read all instructions BEFORE assembly and USE of product
KEEP INSTRUCTIONS FOR FUTURE USE.

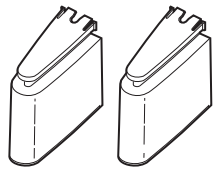
Customer Experience Center
phone: (646)-435-8726
email: gcs@DeltaChildren.com



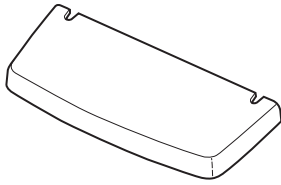
www.DeltaChildren.com

DCP-IM-05092019-F1

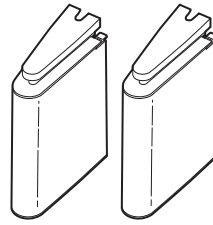
PARTS



A Stool Legs (2)



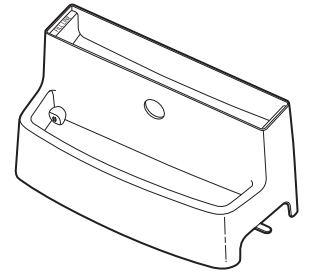
B Step Stool



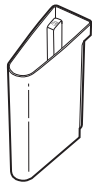
C Stand Legs (2)



D Hose



E Sink



F Water Reservoir



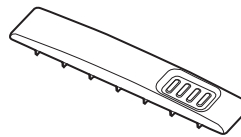
G Faucet



H Silicone Washer



I Faucet Nut



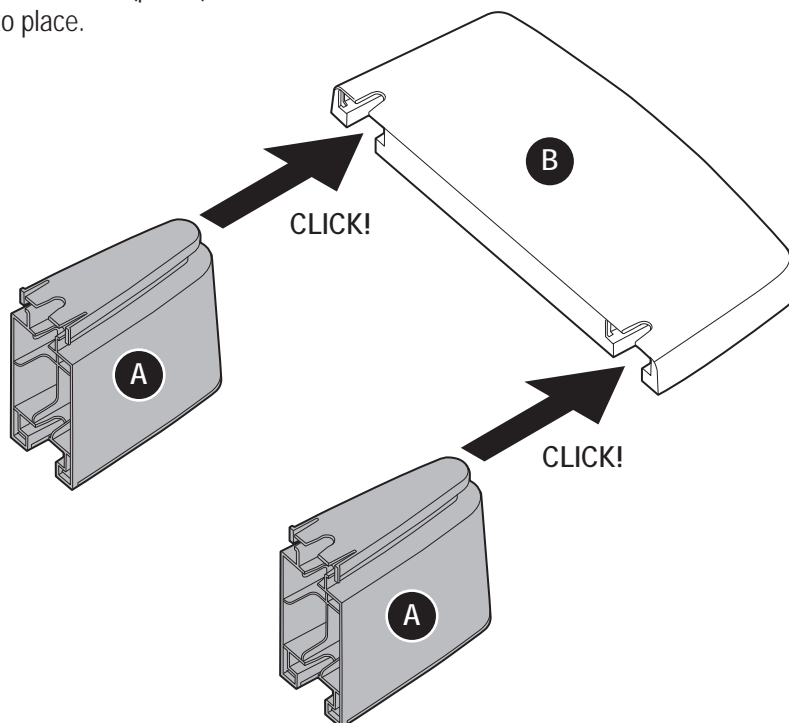
J Sink Lid



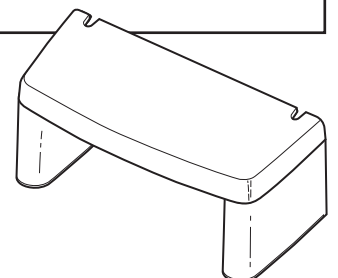
IMPORTANT! Please remove all parts from the package and identify them before assembly.

ASSEMBLY

- 1 Slide stool legs (part A) into the slots on the back of the stool (part B) until they lock into place.

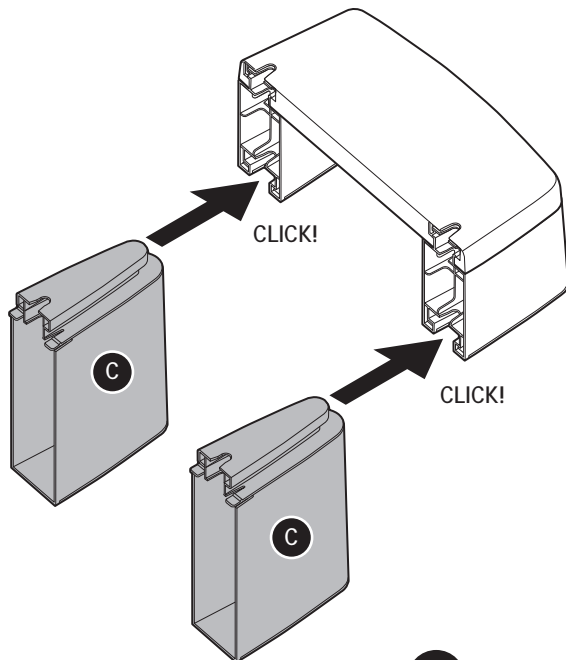


STEP STOOL MODE IS FINISHED!
Continue the assembly steps for the sink.



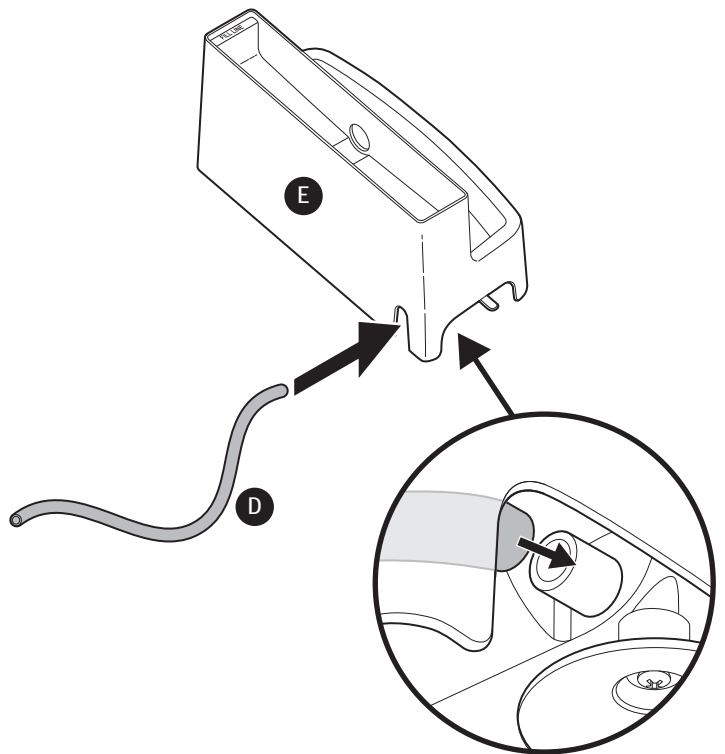
ASSEMBLY (continued)

- 2** Slide stand legs (part C) into the slots on the back of the stool assembly.

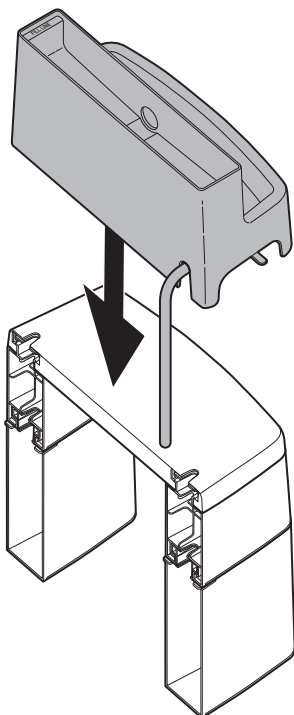


!
IMPORTANT! Never use the step stool with the stand legs attached.

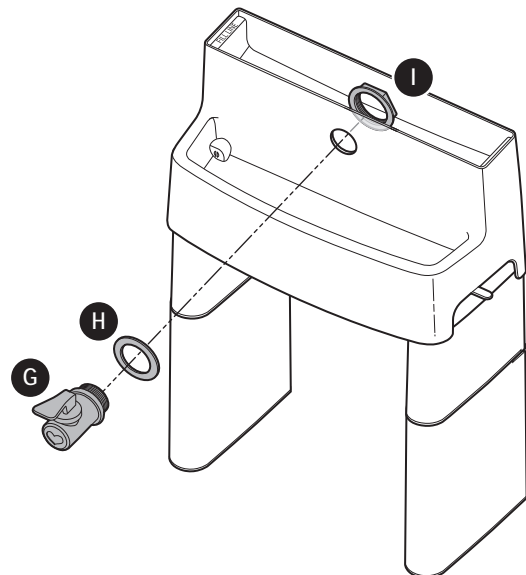
- 3** Insert the hose (part D) into the slot on the back of the sink (part E). Slide the hose over the drain post on the underside of the sink.



- 4** Place the sink on top of the stand assembly.

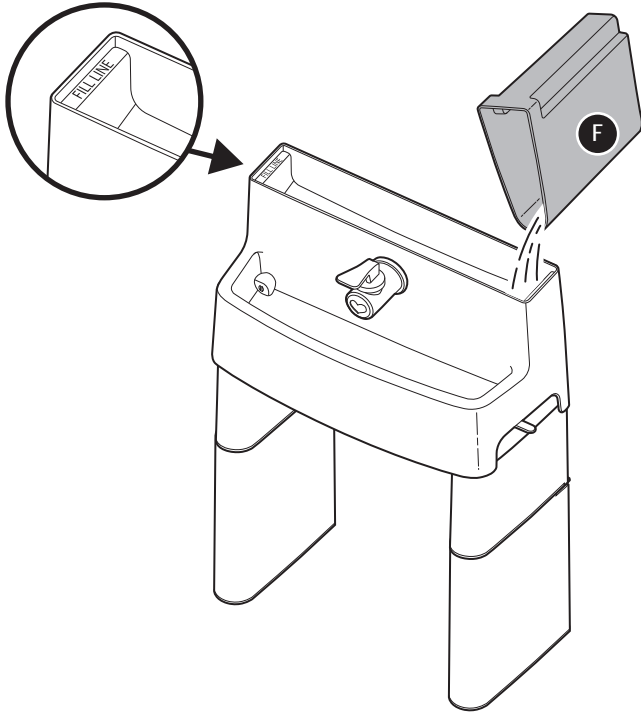


- 5** Slide the washer (part H) onto the faucet (part G). Secure the faucet to the sink with the faucet nut (part I) from the inside of the sink tank.

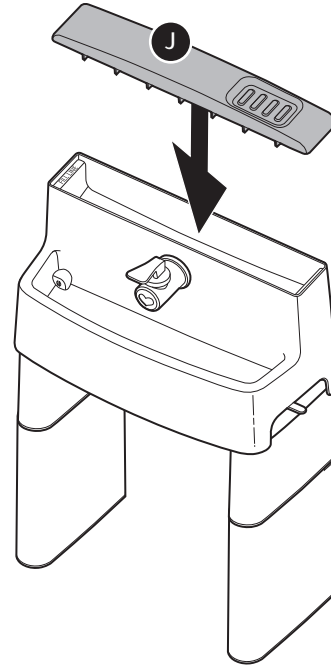


ASSEMBLY (continued)

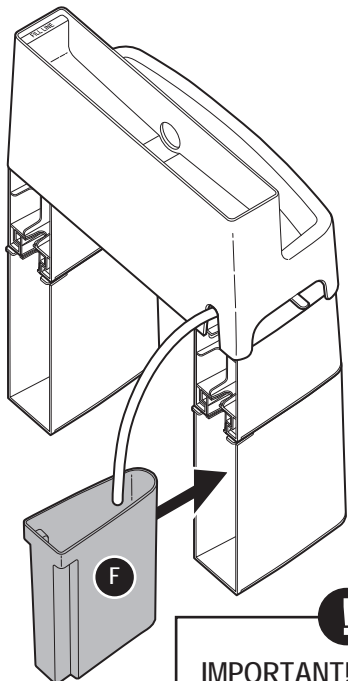
- 6 Using water reservoir (part F) fill the sink tank with water (do not to exceed the fill line).



- 7 Lower the lid onto the sink assembly.

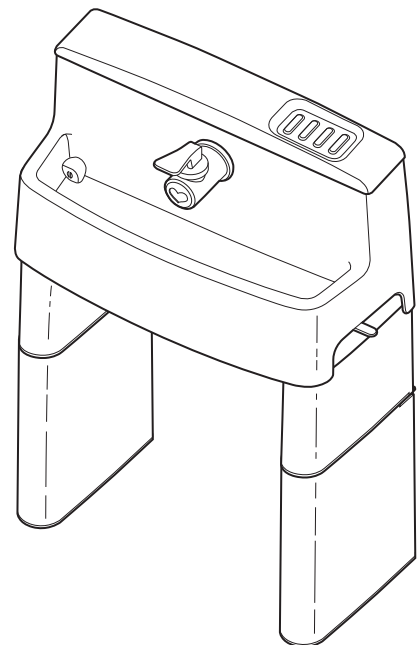


- 8 Insert the hose into the reservoir (part F) and slide the reservoir into the stand.



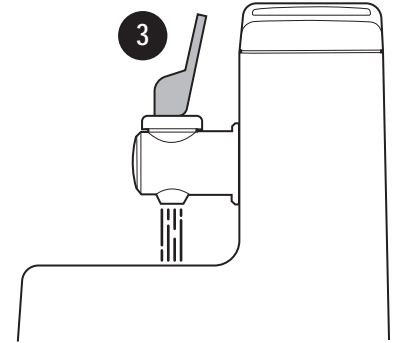
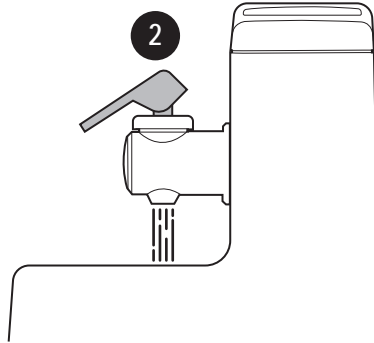
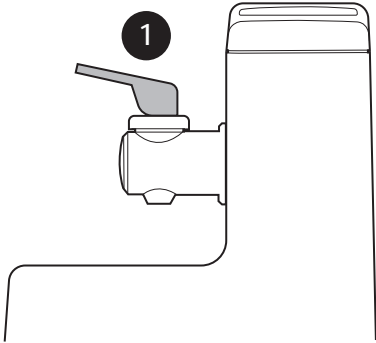
IMPORTANT! Once the reservoir is in place, secure the hose into the notches.

!
SINK ASSEMBLY
FINISHED!



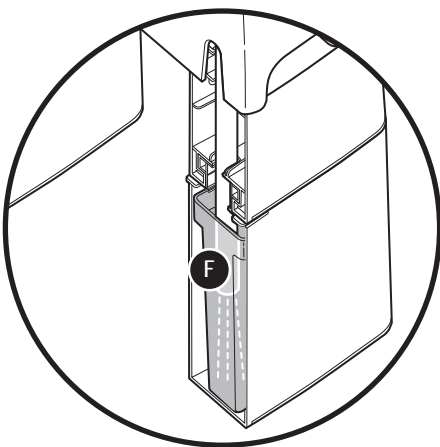
USING THE FAUCET

1. Off position.
2. Press the lever down to release water. Once released, lever will return to off position
3. Raising the lever will keep the faucet open for continuous flow.

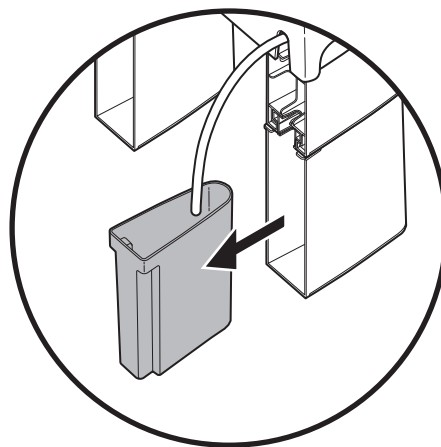


EMPTYING THE RESEVOIR

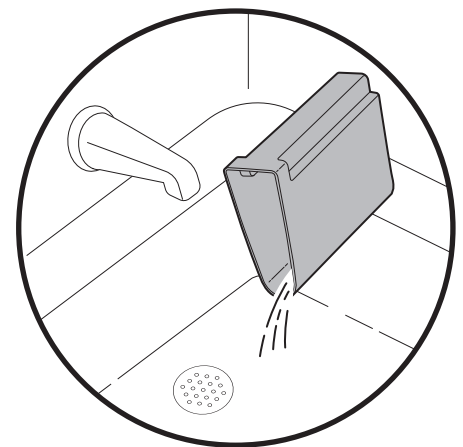
Sink water drains into resevoir (part F).



Remove reservoir from stand.

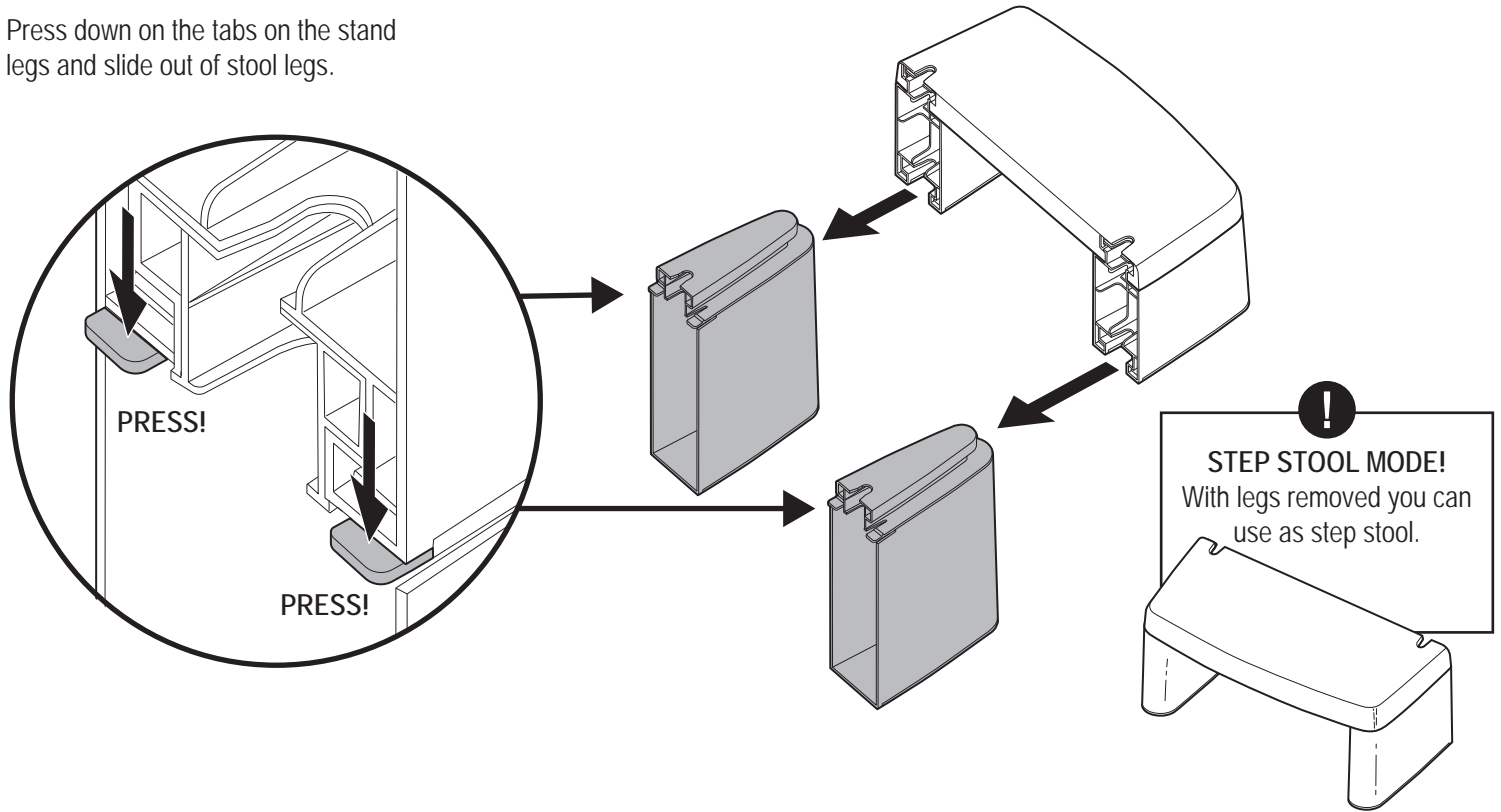


Empty reservoir.



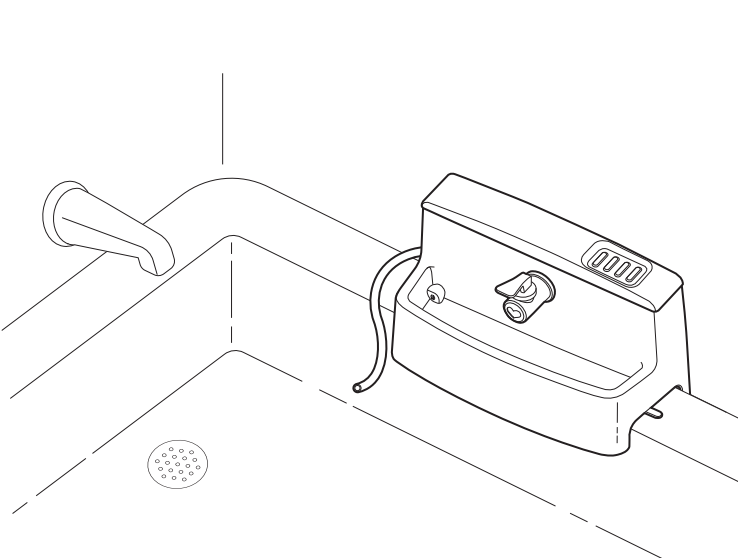
REMOVING STAND LEGS

Press down on the tabs on the stand legs and slide out of stool legs.

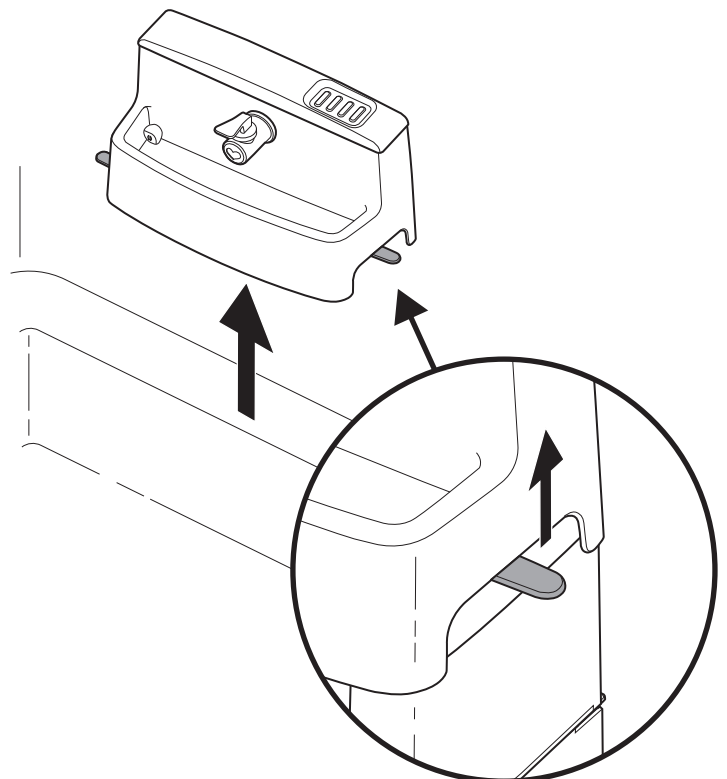


USING ON A TUB

The sink can suction to the edge of a standard tub. Make sure the hose is placed into the tub.



To release sink from tub edge pull up on the tabs on both sides of the sink to release the suction cups.





Before returning this product to the store, let's see if we can assist you!

- **Not sure how to assemble our product?**

Visit our site for easy to follow instructions along with some Tricks and Tips assembly video's

<https://www.deltachildren.com/pages/instruction>

- **If you are missing a piece or have a damaged part**

Please contact our Consumer Experience Center for assistance at 646-435-8726. To better assist you please have your Style #, Lot # and Manufacturer Date information available along with the part number that you need assistance with.

- **In the event we do not have a replacement part available**

You may need to return your product to the retailer for an exchange or refund.

- **Warranty**

In order to protect your investment, don't forget to register your product. You may also wish to consider purchasing our extended warranty. Visit <https://www.deltachildren.com/pages/extended-warranty> for more details.

- **Please note:**

"All Final", "As Is" or Third Party/Liquidator sales are not covered under our Limited Manufacturer Warranty.

LIMITED MANUFACTURER WARRANTY

This Delta product is warranted to be free from defects for a period of 90 days from the date of purchase under normal use. This warranty extends only to the original retail purchaser and is valid only when supplied with proof of purchase, or if received as a gift, when the registration is on file with Delta. This limited manufacturer warranty does not cover the following:

- Products purchased as floor models or samples.
- Items purchased on an "as-is" basis, as a second hand product, or as a resale product.
- Items purchased at a Final sale, a "Going out of Business" sale, or a Liquidation sale.

TO REGISTER YOUR PRODUCT for important safety alerts and updates to your product please visit www.deltachildren.com

TO REPORT A PROBLEM, please log on to www.deltachildren.com and click the Consumer Care Tab, or contact us by phone at **646-435-8726**

Date of Purchase: _____ (you should also keep your receipt)

EXTENDED WARRANTY

DON'T MISS YOUR CHANCE TO BE COVERED FOR ALL OF LIFES MISHAPS!

With Delta's Extended Warranty, you're covered for mechanical failure from normal use or if your item stops working due to normal wear and tear, plus all those unexpected surprises.

2 YEARS OF PROTECTION

For Additional Information:

Simply visit our Website, register your product, and add the Extended Warranty

<https://www.deltachildren.com/pages/product-registration>

Extended Warranty only available in the following States: Arkansas, Colorado, Delaware, District of Columbia, Georgia, Idaho, Illinois, Indiana, Iowa, Kansas, Kentucky, Louisiana, Maryland, Michigan, Mississippi, Missouri, Nebraska, Nevada, New Hampshire, New York, North Carolina, North Dakota, Pennsylvania, Rhode Island, South Dakota, Tennessee, Utah, West Virginia



Delta Children's Products Corp.
114 West 26th Street
New York, NY 10001
646-435-8726
www.DeltaChildren.com
Made in China