

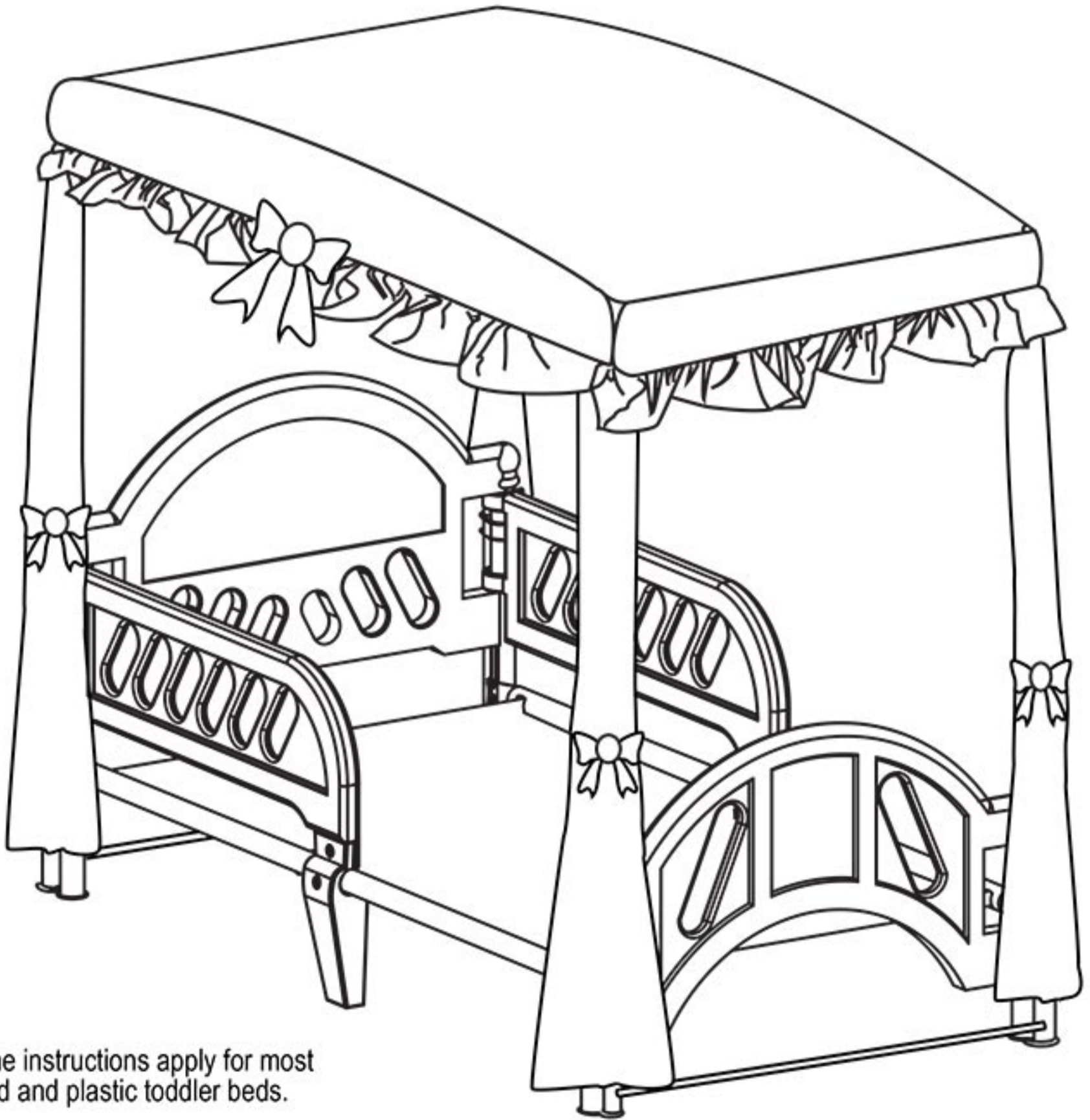
# Canopy for Girls Toddler Bed

## ASSEMBLY INSTRUCTIONS

# Delta<sup>™</sup>

## Children's Products

ADULT ASSEMBLY REQUIRED



Same instructions apply for most wood and plastic toddler beds.

# Canopy Parts

IMPORTANT! Please remove all parts from the package and identify them before assembly.

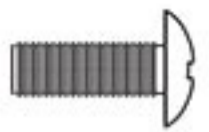
## Required Tools



(X) 3 Way Plug x 2



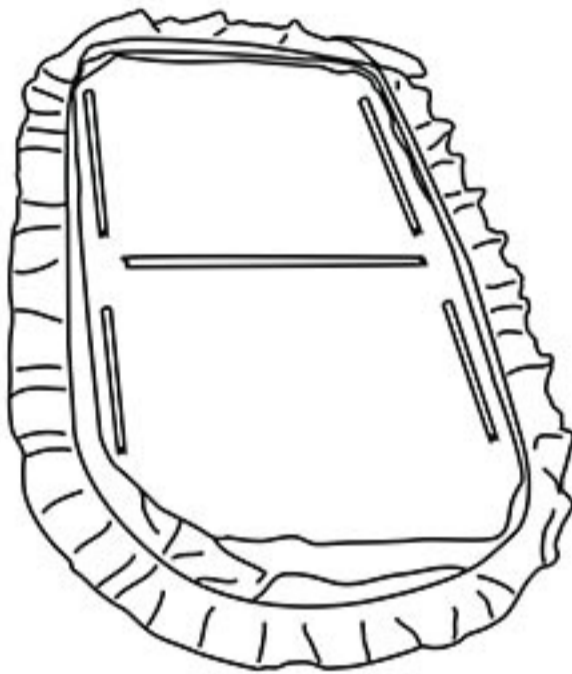
(W) 3 Way Plug x 2 (PINK)



(U) Bolt x 4

## ⚠ WARNING

This package contains small parts.  
Keep away from children during assembly.  
Adult assembly required.



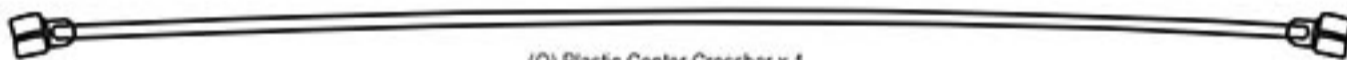
(Y) Canopy x 1



(M) Ribbon Ties x 8



(N) Bottom Leg Mount x 4



(O) Plastic Center Crossbar x 1



(P) Plastic Side Support Bars x 4



(Q) Upper Metal Crossbars x 2



(R) Upper Metal Uprights x 4

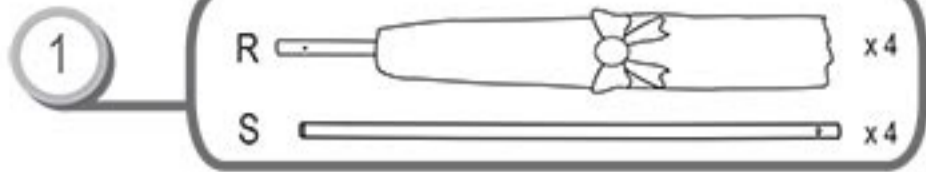


(S) Lower Metal Uprights x 4

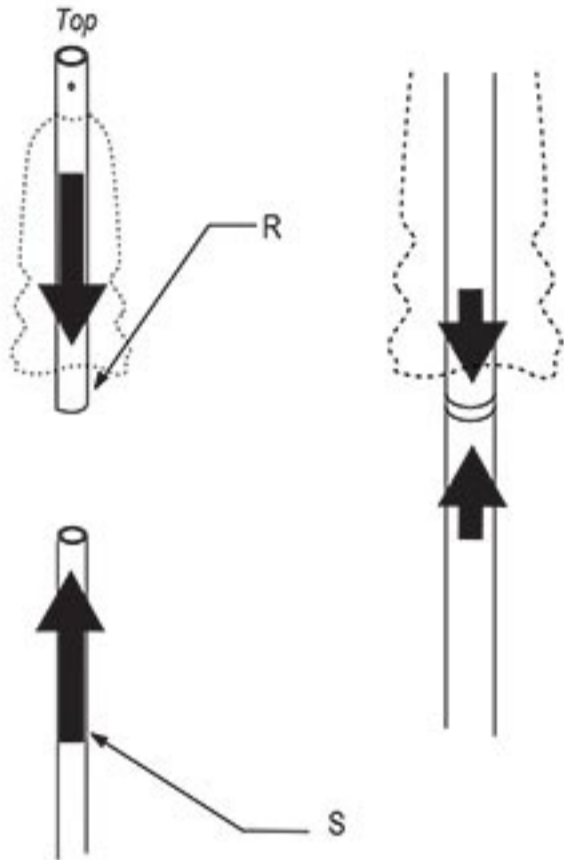


(T) Lower Metal Crossbars x 2

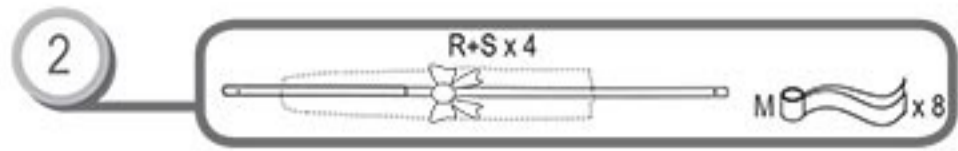
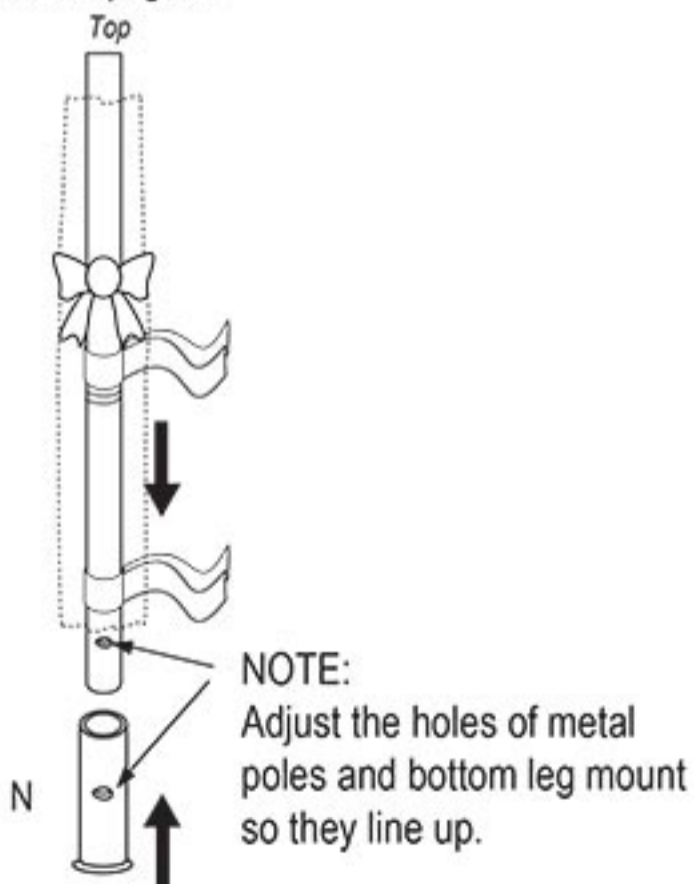
# Canopy Assembly



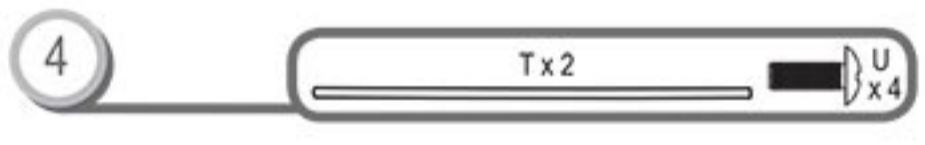
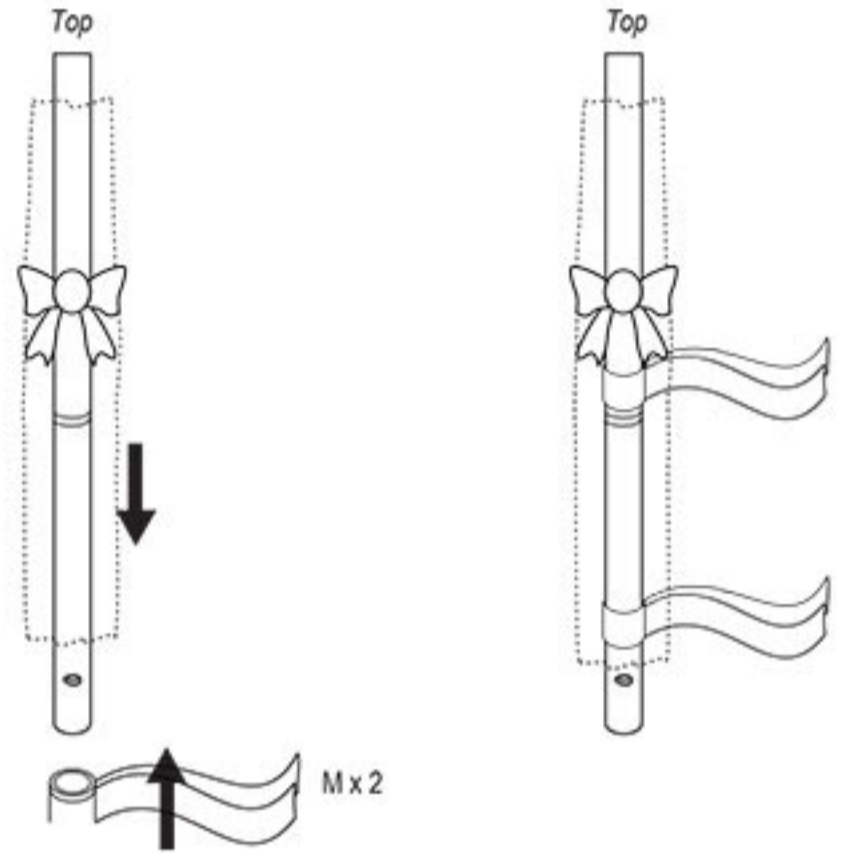
- Connect upper upright (R) and lower (S) upright poles.
- Repeat on other uprights.



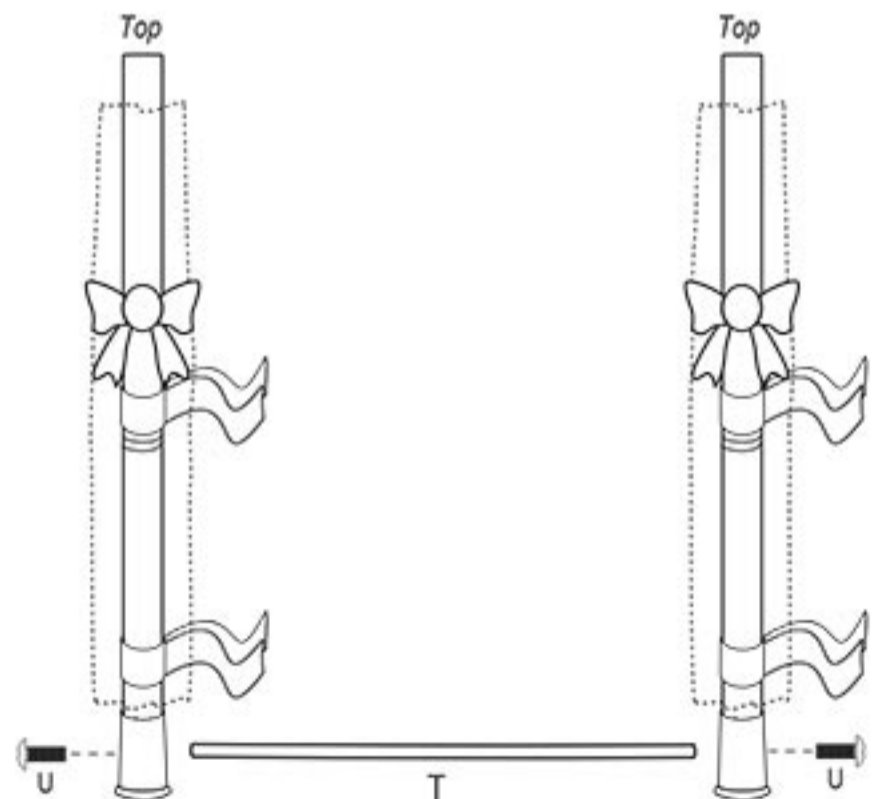
- Insert uprights (R+S) to the bottom leg mount (N).
- Repeat on other uprights.



- Insert uprights (R+S) to the ribbon ties (M).
- Repeat on other uprights.



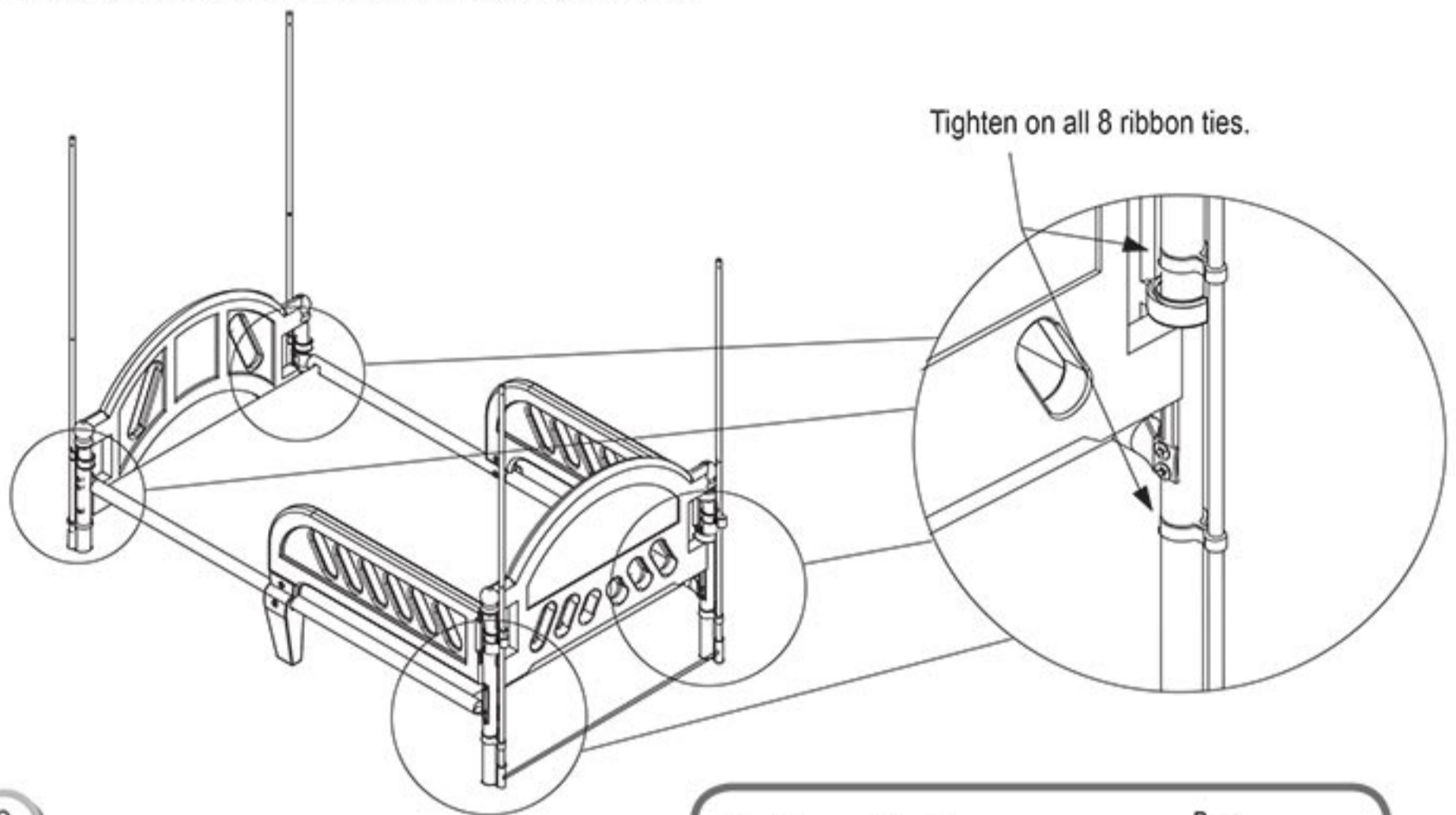
- Connect uprights (R+S) and lower crossbars (T) using bolts (U).
- Repeat on opposite side.



# Canopy Assembly

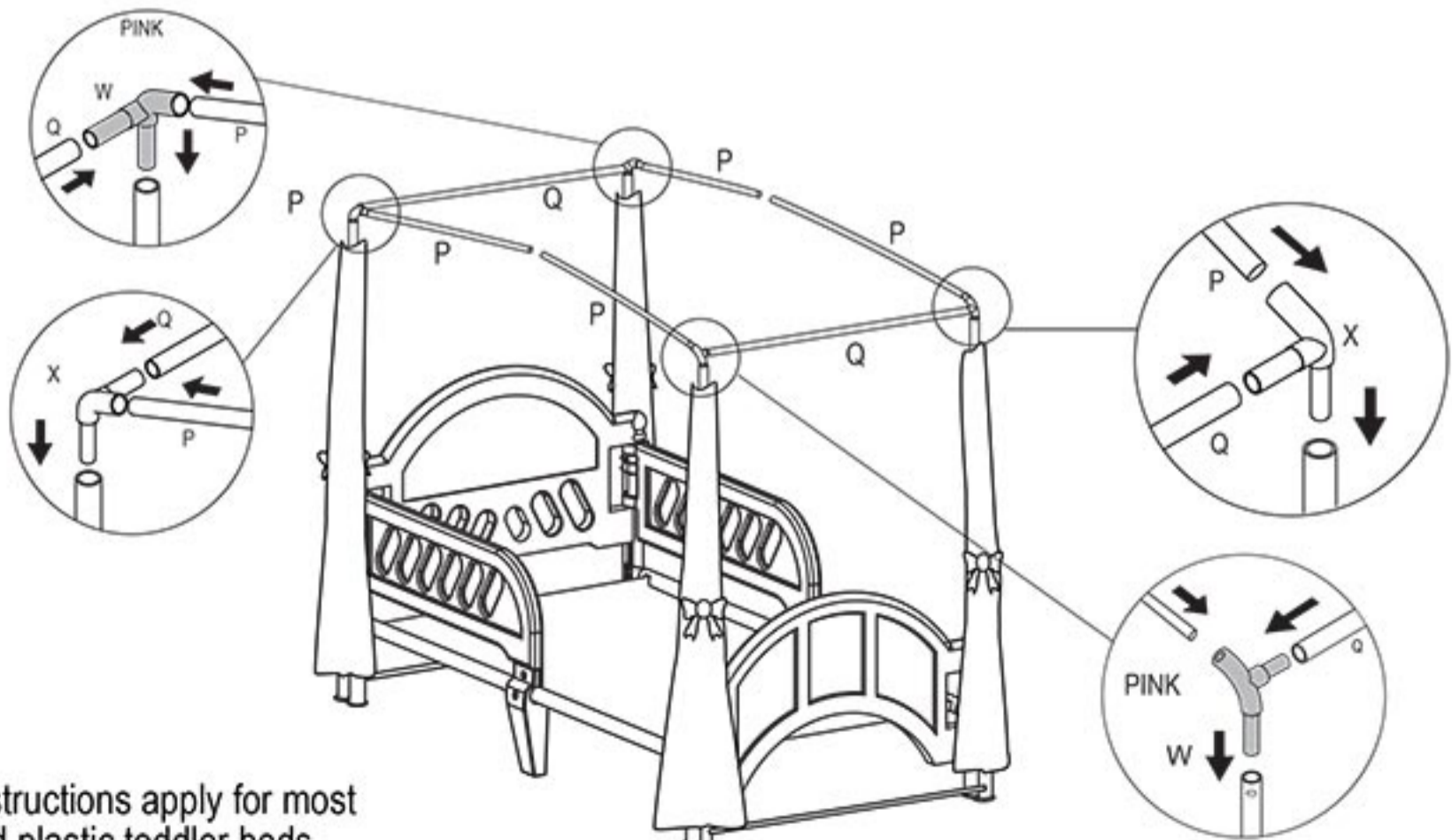
5

- Tighten on all 8 ribbon ties to secure legs to canopy uprights.



6

- Insert all of the 3 way plastic plugs on top of the 4 corner upright poles. Be sure pins on plugs snap into holes on upright poles.
- Install 2 metal crossbars (Q) to the 3 way plugs on each end.
- Install plastic side support bars (P) to the 3 way plugs.



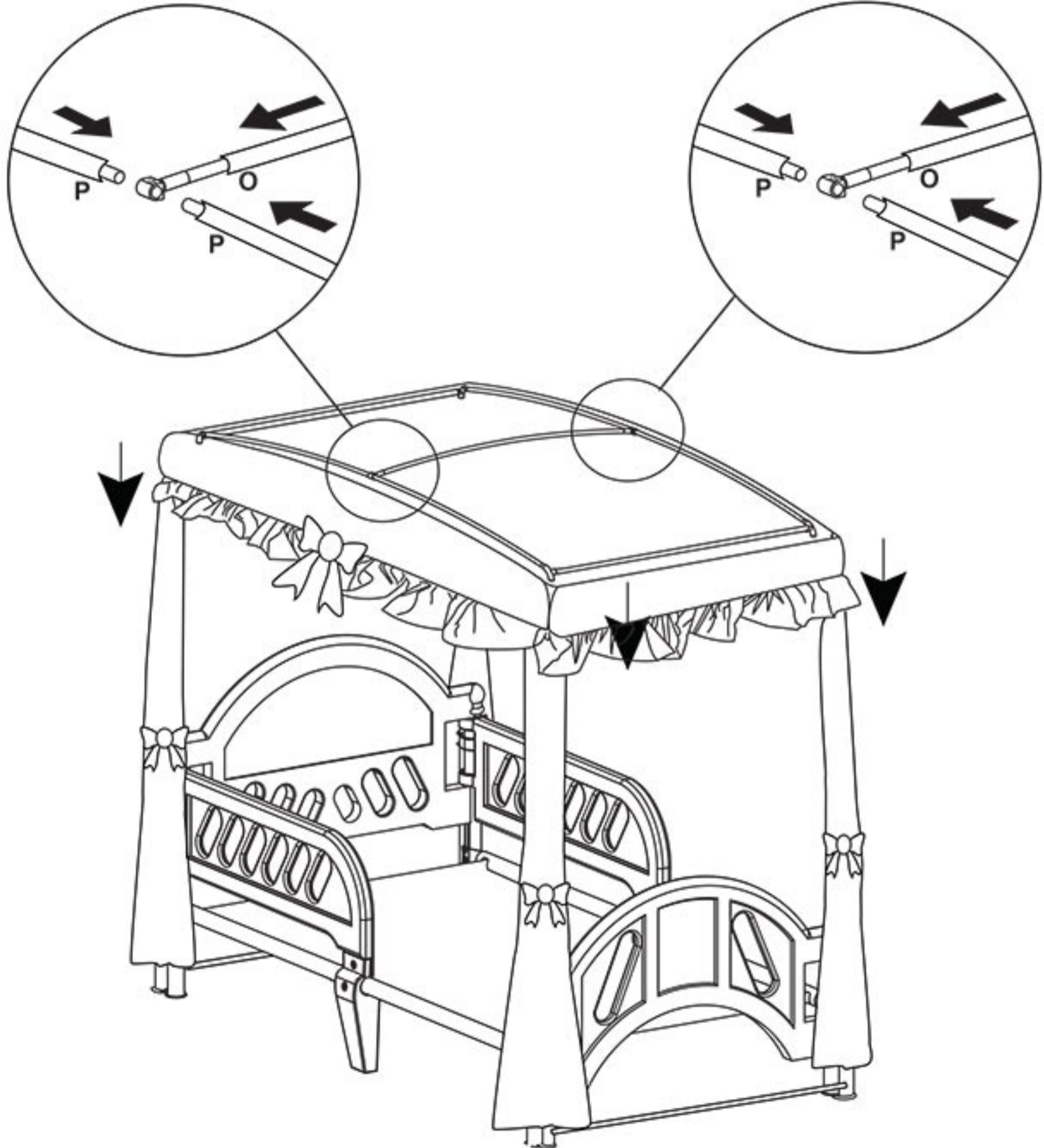
Same instructions apply for most wood and plastic toddler beds.

# Canopy Assembly

## 7 Insert side bars and center crossbar through loops on canopy

Ox1

- Thread each plastic side support bar through the loop stitched on each side of underside of canopy.
- After all 4 side support bars are inserted through the 4 loops, then insert center crossbar (O) through the 3 loops at middle of underside of canopy. Connect center crossbar to plastic side support bars using the T-connector at both ends of center crossbar.

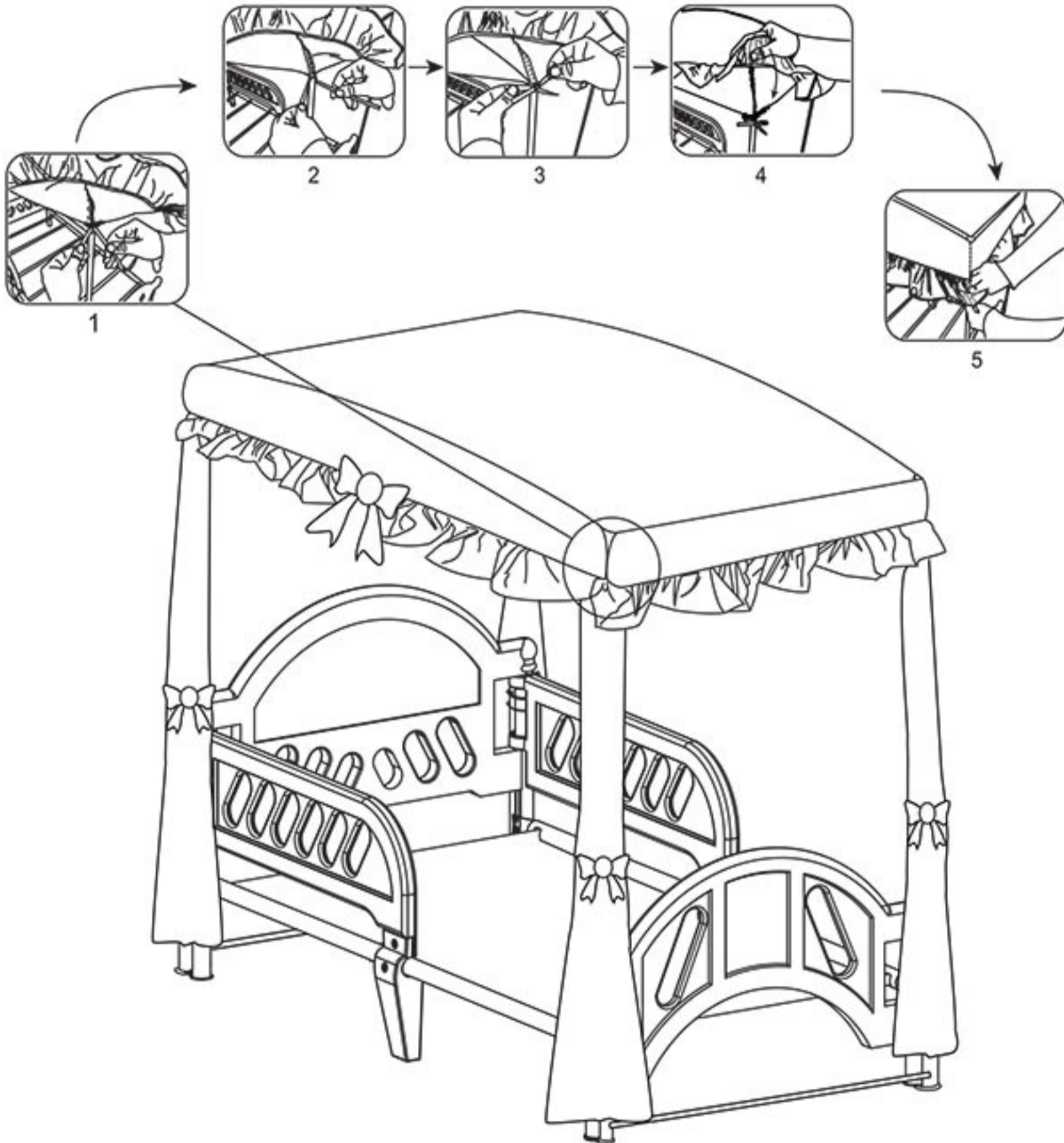


# Canopy Assembly

8

## Tie down canopy

- Tie down canopy to the 4 corners of the frame.
- Recheck all connections.



**ENJOY YOUR NEW  
DELTA CANOPY!**



**Delta**  
Children's Products  
Customer Care  
Tel. (212) 645-9033