

# COMPACT PORTABLE TWIN BASSINET



## INSTRUCTION MANUAL

Read all instructions BEFORE assembly and USE of product. KEEP INSTRUCTIONS FOR FUTURE USE.

# LF25405

**ASSEMBLY INSTRUCTIONS**

Styles and colors may vary



**▲ WARNING:  
CHOKING HAZARD**

Adult assembly required because of small parts. Keep assembly parts out of reach of children under 3 years.

# **WARNING**

**WARNING:** Do not use this bassinet if you cannot exactly follow the accompanying instructions. Failure to follow these warnings and instructions could result in serious injury or death.

- **Read all instructions before assembling unit.**

**KEEP INSTRUCTIONS FOR FUTURE USE.**

**DO NOT USE THIS UNIT IF THE INSTRUCTIONS CANNOT BE STRICTLY FOLLOWED.**

- Before each usage or assembly, inspect unit for damaged hardware, loose joints, missing parts or sharp edges. NEVER use this product if there are any loose or missing fasteners, loose joints, broken parts, or torn mesh/fabric. Check before assembly and periodically during use. Contact Delta Children's Products Customer Service Department at (646) 435-8726 for replacement parts, repair or instructions.

## **SUFFOCATION HAZARD** **Infants have suffocated:**

- In gaps between an extra padding, a mattress (too small or too thick) and product sides.
- On soft bedding.
- Use only the pad provided by the manufacturer that is no thicker than 25 mm (1 In) and is of such a size that, when pushed against any side of the product, it does not leave a gap of more than 25 mm (1 in) between the mattress and sides.
- **NEVER** add a pillow, comforter or another mattress for padding.

**FALL HAZARD:** To help prevent falls, **DO NOT** use this product when your baby begins to roll over.

### **STRANGULATION HAZARD:**

- Strings can cause strangulation! **DO NOT** place items with a string around a child's neck, such as hood strings or pacifier cords. **DO NOT** suspend strings over a product or attach strings to toys.
- To reduce the risk of SIDS, pediatricians recommend healthy infants be placed on their backs to sleep, unless otherwise advised by your physician.
- Always attach all provided fasteners tightly according to the instructions. Check frequently. **DO NOT** use if there are any loose or missing parts or signs of damage. **DO NOT** substitute parts. Contact the manufacturer for replacement parts.
- **Never** use bassinet with more than two children at a time.
- **DO NOT** place medication, small toys, small items, cords, straps or similar items that could become wound around the child's neck in or near this product and do not place product near a window, patio door, heater, or power outlet.
- **DO NOT** place bassinet near a window where cords from blinds or drapes may strangle a child. Child may fall out of window.
- If a sheet is used with the pad use only the one provided by Delta Children or one made specifically for the dimensions of the bassinet mattress.

## CARE AND MAINTENANCE

- The frame and mattress pads may be wiped clean using a mild cleaning solution and a damp cloth. Do not use bleach. Do not use harsh or abrasive cleaners. Rinse clean with water to remove residue. Do not immerse the frame.
- The sheets are machine washable. Wash them separately in cold water on the gentle cycle. Do not use bleach. Tumble dry separately on low heat and remove promptly.
- Always store product in a clean and dry place.



**Please DO NOT return this product to the store.**

If you experience any difficulty with assembly, missing parts or use, please DO NOT return this item to the store. Retail stores are unable to properly assist you. Contact our Customer Service Department directly for assistance

(646) 435-8726

www.DeltaChildren.com • gcs@DeltaChildren.com  
©2019 Delta Children's Products, Inc. New York, NY 10001



## **EXTENDED WARRANTY**

**DON'T MISS YOUR CHANCE TO BE COVERED FOR ALL OF LIFE'S MISHAPS!**

With Delta's Extended Warranty, you're covered for mechanical failure from normal use or if your item stops working due to normal wear and tear, plus all those unexpected surprises.

## **2 YEARS OF PROTECTION**

**For Additional Information:**

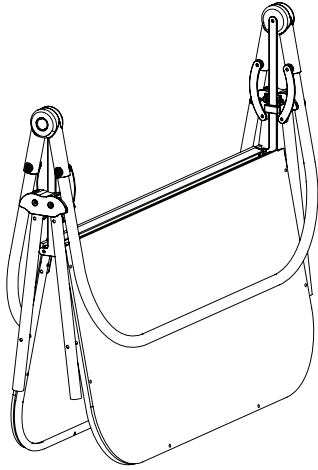
**Simply visit our Website, register your product, and add the Extended Warranty**

**<https://www.deltachildren.com/pages/product-registration>**

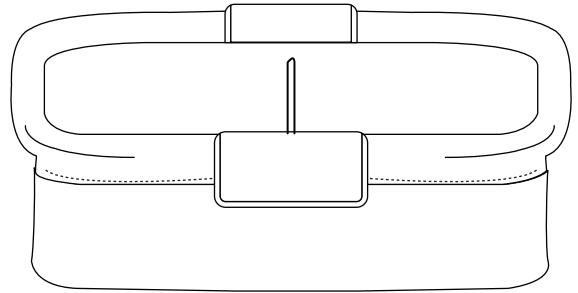
Extended Warranty only available in the following States: Arkansas, Colorado, Delaware, District of Columbia, Georgia, Idaho, Illinois, Indiana, Iowa, Kansas, Kentucky, Louisiana, Maryland, Michigan, Mississippi, Missouri, Nebraska, Nevada, New Hampshire, New York, North Carolina, North Dakota, Pennsylvania, Rhode Island, South Dakota, Tennessee, Utah, West Virginia

# PARTS

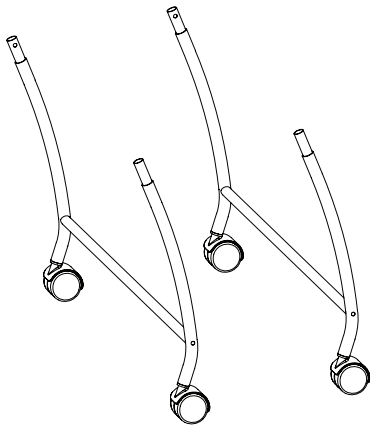
**IMPORTANT!** Please remove all parts from the package and identify them before assembly.



**Top Frame**  
Part # 50441



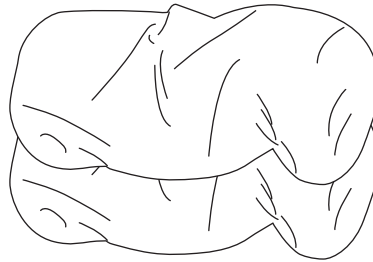
**Fabric Liner**  
Part # 50445



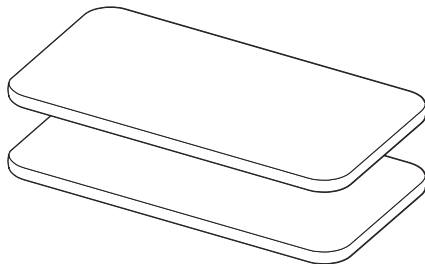
**Base Legs**  
Part # 50442



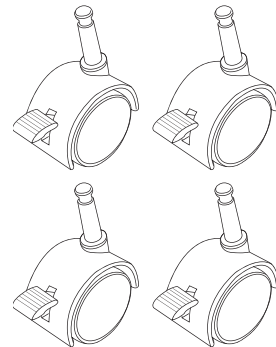
**Travel Bag**  
Part # 50561



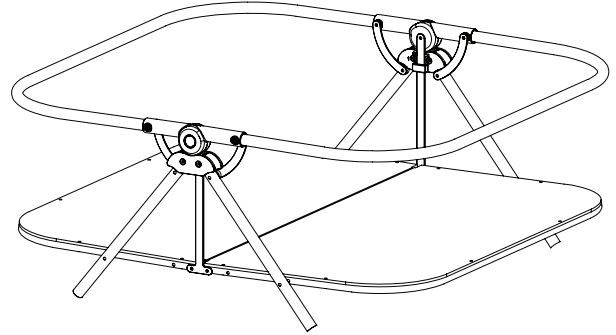
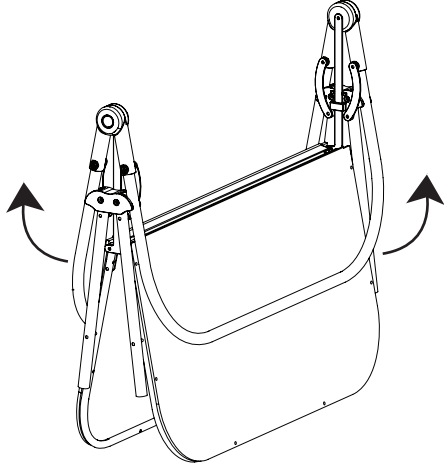
**Sheet (x2)**  
Part # 50447



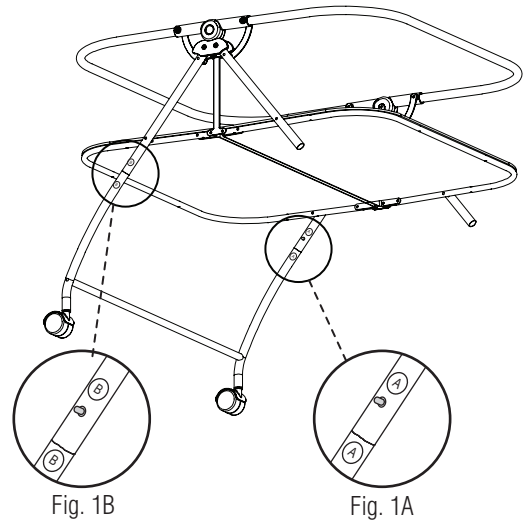
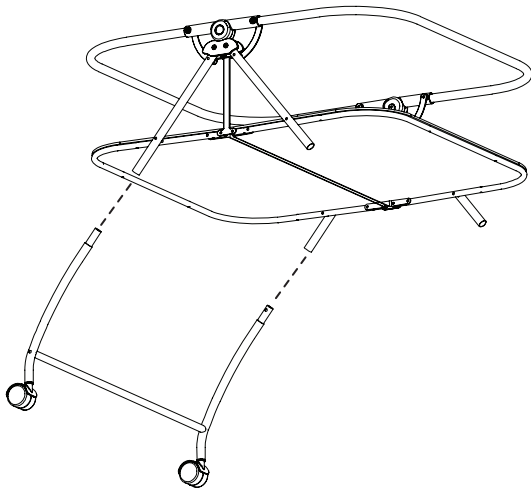
**Mattress Pad (x2)**  
Part # 50446



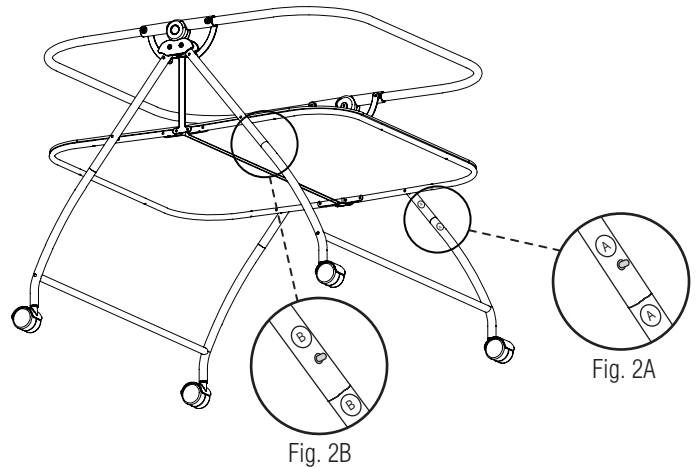
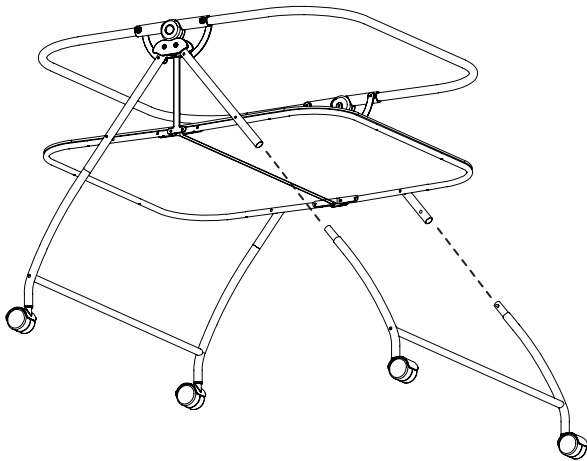
**Locking Casters (x4)**  
Part # 50443

**1****BASSINET ASSEMBLY**

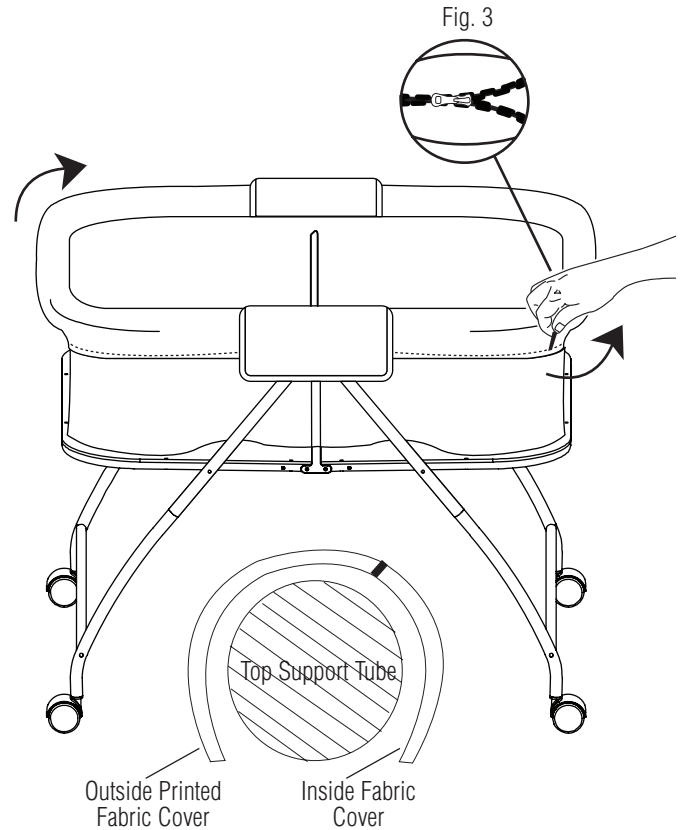
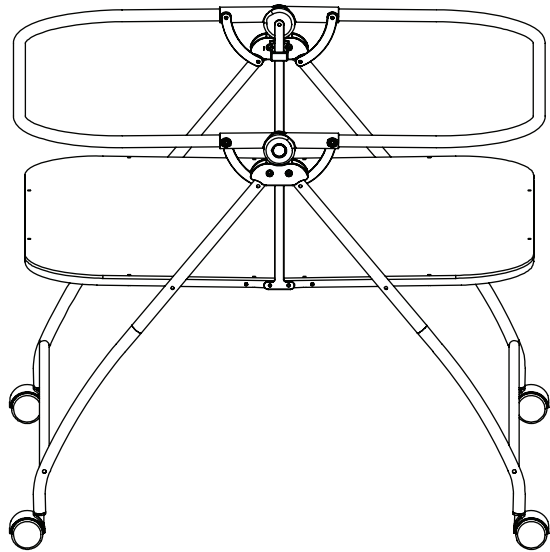
**1** Rotate both top frame support tubes upward until they "click" into a fully opened and locked position.



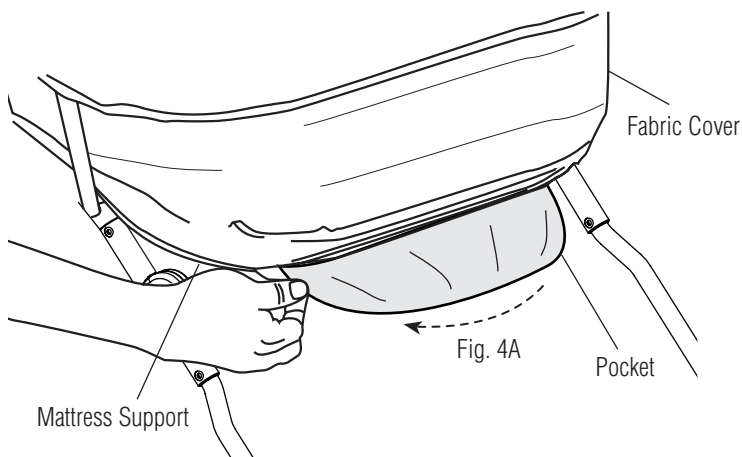
**2** Attach base legs to top support tube. Match side **A** to **A** (Fig. 1A) and side **B** to **B** (Fig. 1B).



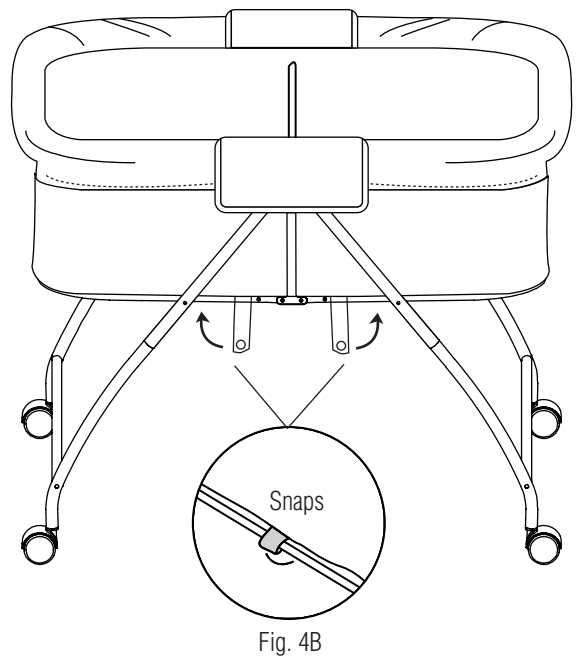
**3** Attach remaining base legs to top support tube. Match side **A** to **A** (Fig. 2A) and side **B** to **B** (Fig. 2B).



- 3** Attach the fabric cover by lining up the fabric around the top tubing and zipping the right / left sides until fully zipped (Fig. 3).



- 4** Stretch the pockets on the bottom of the liner around the ends of the mattress support (Fig. 4A).



- 5** Snap the 4 straps located on the left and right side of the bassinet (Fig. 4B).

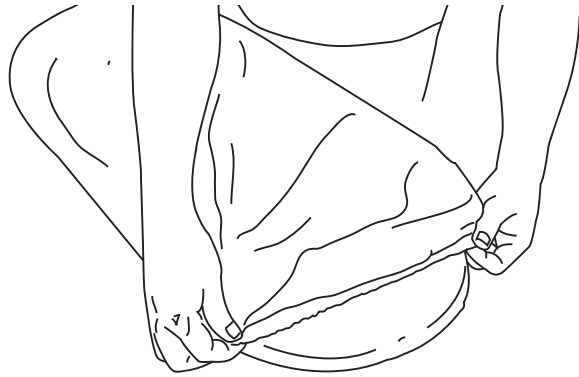


Fig. 5A

- 1 Place the sheet over the mattress pad (Fig. 5A).

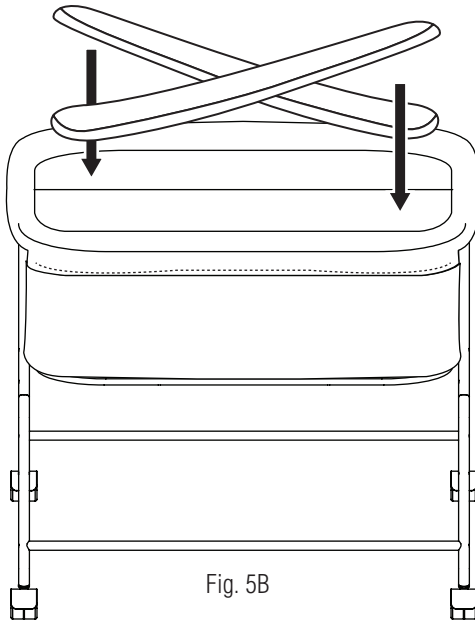


Fig. 5B

- 2 Place the mattress pad with sheet into the fully assembled bassinet (Fig. 5B). Make sure the bassinet mattress pad is flat.



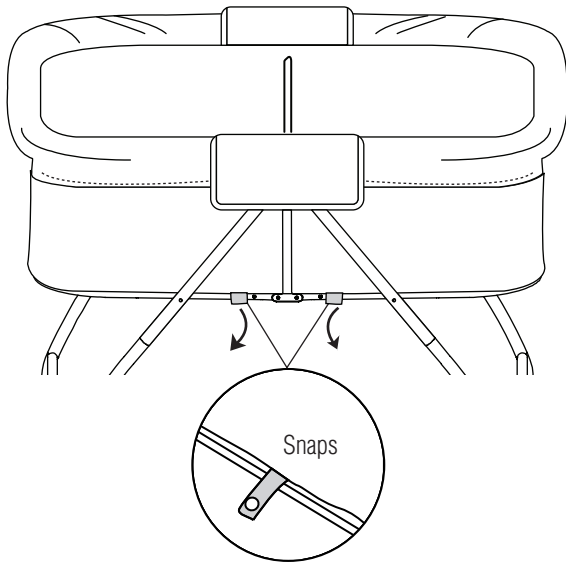


Fig. 6A

- 1 Unsnap the 4 straps located on the left and right of the bassinet (Fig. 6A).

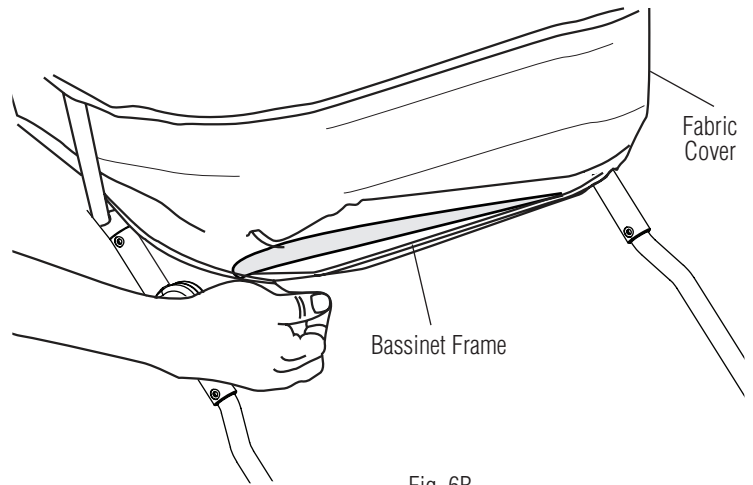


Fig. 6B

- 2 Remove the fabric cover by pulling off the liner located under the bassinet frame (Fig. 6B).

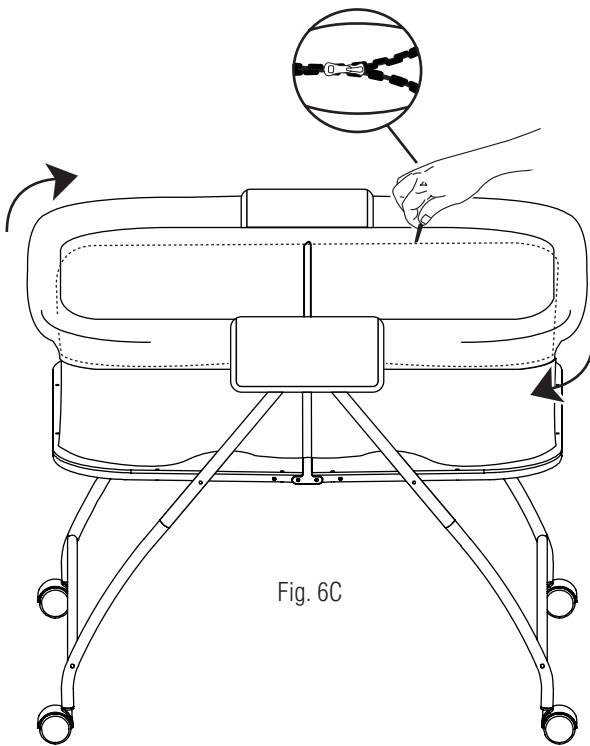
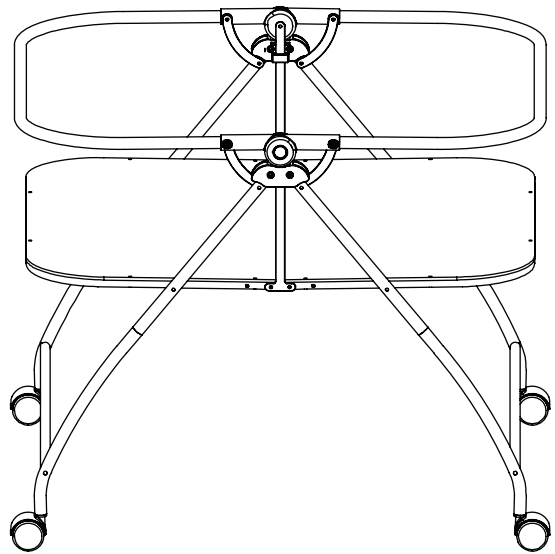


Fig. 6C

- 3 Unzip the fabric cover from right / left sides until fabric is fully unzipped (Fig. 6C).



NOTE: Bassinet can be folded with fabric cover attached.

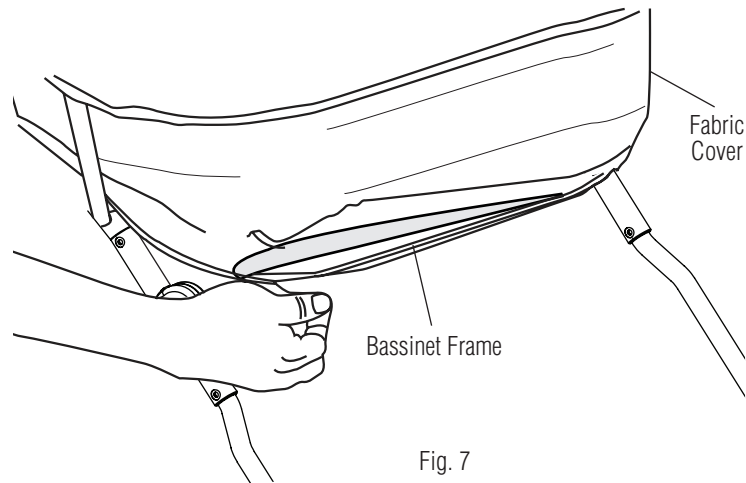


Fig. 7

- 1 Remove the fabric cover by pulling off the liner located under the bassinet frame (Fig. 7).

NOTE: If folding with fabric cover attached, first remove fabric liner from under bassinet frame.

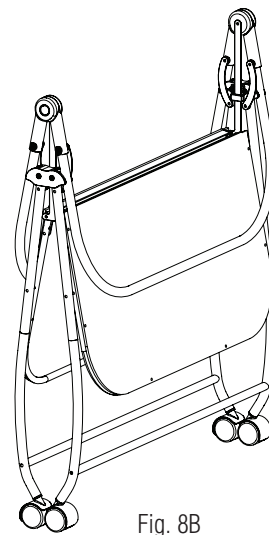
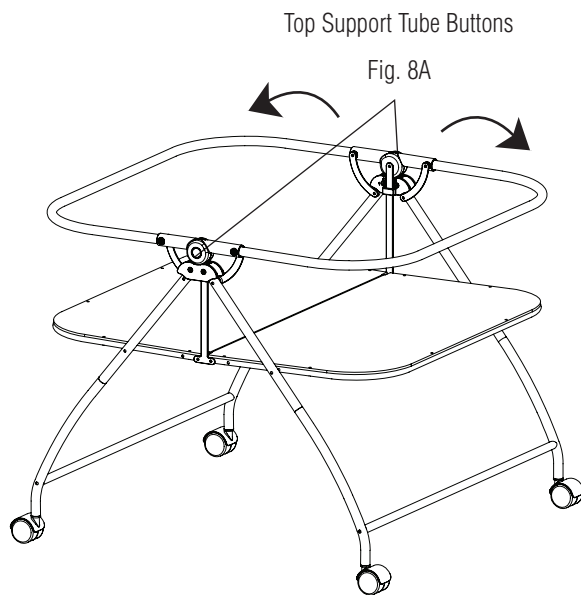


Fig. 8B

- 2 Press both left and right top frame support tube buttons (Fig. 8A), rotate both top support tubes downward until they "click" into a fully closed and locked position.

- 3 Press the left / right side base support tube buttons located on both left / right sides of the base support tube. Rotate the left / right side base support tube upward (Fig. 8A) to fully folded frame (Fig. 8B).





**Delta Children**

114 West 26th Street  
New York, NY 10001  
(646) 435-8726

**[www.DeltaChildren.com](http://www.DeltaChildren.com)**