

# SleepCool Rocking Bassinet with Airflow Mesh

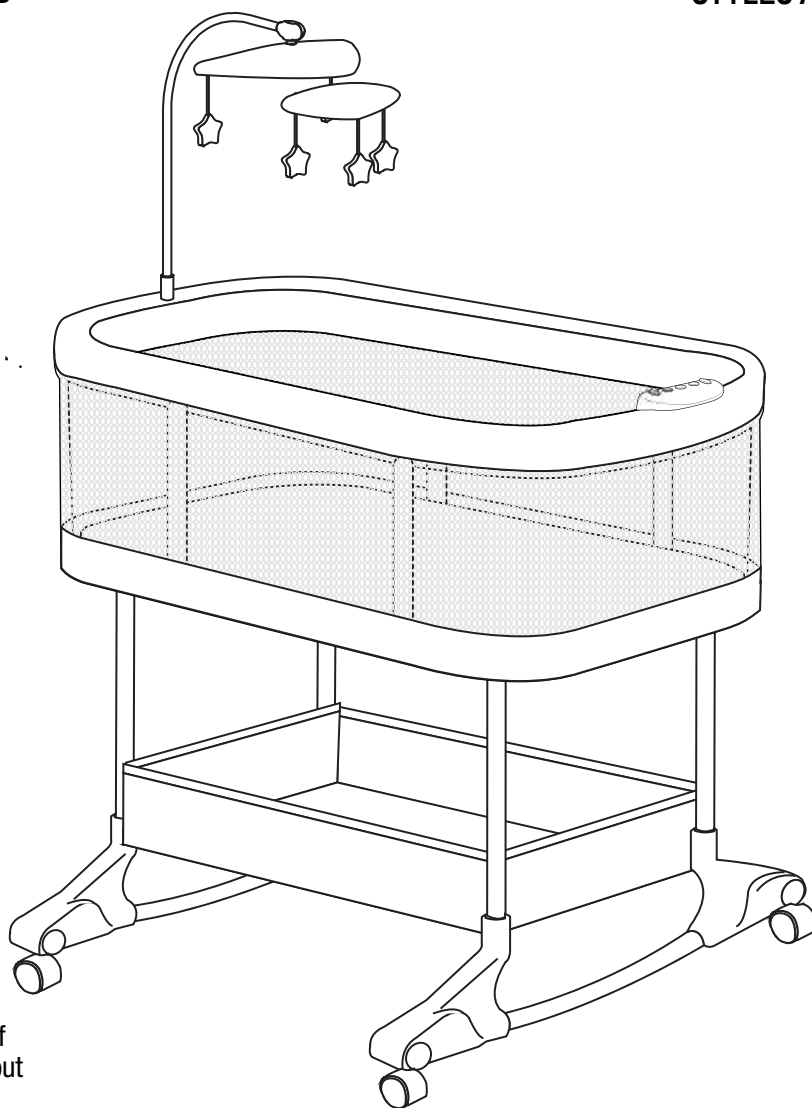


## INSTRUCTION MANUAL

ADULT ASSEMBLY REQUIRED

**LF20353**

STYLES AND COLORS MAY VARY



**▲ WARNING:  
CHOKING HAZARD**

Adult assembly required because of small parts. Keep assembly parts out of reach of children under 3 years.

Read all instructions BEFORE assembly and USE of product  
KEEP INSTRUCTIONS FOR FUTURE USE.

# Consumer Information



## WARNING

**WARNING:** Do not use this bassinet if you cannot exactly follow the accompanying instructions. Failure to follow these warnings and instructions could result in serious injury or death.

- **Read all instructions before assembling unit.**

**KEEP INSTRUCTIONS FOR FUTURE USE.**

**DO NOT USE THIS UNIT IF THE INSTRUCTIONS CANNOT BE STRICTLY FOLLOWED.**

- Before each usage or assembly, inspect unit for damaged hardware, loose joints, missing parts or sharp edges.
- **NEVER** use this product if there are any loose or missing fasteners, loose joints, broken parts, or torn mesh/fabric. Check before assembly and periodically during use. Contact Delta Children Customer Service Department at [gcs@DeltaChildren.com](mailto:gcs@DeltaChildren.com) for replacement parts, repair or instructions.

**SUFFOCATION HAZARD: Infants have suffocated:**

- On soft bedding.
- In gaps between an extra padding, a mattress (too small or too thick) and product sides.
- Use only the pad provided by the manufacturer that is no thicker than 25 mm (1 in) and is of such a size that, when pushed against any side of the product, it does not leave a gap of more than 25 mm (1 in) between the mattress and sides.
- **NEVER** add a pillow, comforter or another mattress for padding.
- Remove any tools or excess parts including plastic packaging from bassinet vicinity after assembly.
- If a sheet is used with the pad, use only the one provided by the manufacturer or one specifically designed to fit the dimensions of the bassinet/cribble.
- To reduce the risk of SIDS, pediatricians recommend healthy infants be placed on their back to sleep, unless otherwise advised by your physician.
- Never use plastic shipping bags or other plastic film as a mattress covers not sold and intended for that purpose. They can cause suffocation.
- **DO NOT** place bassinet near a window where cords from blinds or drapes may strangle a child. Child may fall out of window.
- **DO NOT** place cords, straps or similar items that could become wound around a child's neck in or near the bassinet.

**FALL HAZARD:** To help prevent falls, **DO NOT** use this product when the infant begins to push up on hands and knees or has reached manufacturer's recommended maximum weight of 13.6kg (30lbs), whichever comes first.

- To reduce the risk of SIDS, pediatricians recommend healthy infants be placed on their backs to sleep, unless otherwise advised by your physician.
- Always attach all provided fasteners tightly according to the instructions. Check frequently. Do not use if there are any loose or missing parts or signs of damage. Do not substitute parts. Contact the manufacturer for replacement parts.
- Use bassinet with only one child at a time.
- Strings can cause strangulation! **DO NOT** place items with a string around a child's neck, such as hood strings or pacifier cords. **DO NOT** suspend strings over a product or attach strings to toys.
- Toys are not to be "mouthed" by the baby and should be positioned clearly out of reach of the baby's face and mouth.
- **DO NOT** place medication, small toys, small items, cords, straps or similar items that could become wound around the child's neck in or near this product and do not place product near a window, patio door, heater, or power outlet.



## **Before returning this product to the store! Let's see if we can assist you!**

- **Not sure how to assemble our product?**

Visit our site for easy to follow instructions along with some Tricks and Tips assembly video's  
<https://www.deltachildren.com/pages/instructions>

- **If you are missing a piece or have a damaged part**

Please contact our Consumer Experience Center for assistance at [gcs@DeltaChildren.com](mailto:gcs@DeltaChildren.com).  
To better assist you please have your Style #, Lot # and Manufacturer Date information available along with the part number that you need assistance with.

- **In the event we do not have a replacement part available**

You may need to return your product to the retailer for an exchange or refund.

- **Warranty**

In order to protect your investment, don't forget to register your product.

You may also wish to consider purchasing our extended warranty.

Visit <https://www.deltachildren.com/pages/extended-warranty> for more details.

- **Please note:**

"All Final", "As Is" or Third Party/Liquidator sales are not covered under our Limited Manufacturer Warranty..

# DELTA CHILDREN

## LIMITED MANUFACTURER WARRANTY

This Delta product is warranted to be free from defects for a period of 90 days from the date of purchase under normal use. This warranty extends only to the original retail purchaser and is valid only when supplied with proof of purchase, or if received as a gift, when the registration is on file with Delta. This limited manufacturer warranty does not cover the following:

- Products purchased as floor models or samples.
- Items purchased on an “as-is” basis, as a second hand product, or as a resale product.
- Items purchased at a Final sale, a “Going out of Business” sale, or a Liquidation sale.

**TO REGISTER YOUR PRODUCT** for important safety alerts and updates to your product please visit [www.deltachildren.com](http://www.deltachildren.com)

**TO REPORT A PROBLEM**, please log on to [www.deltachildren.com](http://www.deltachildren.com) and click the Consumer Care Tab, or contact us by email at [gcs@DeltaChildren.com](mailto:gcs@DeltaChildren.com)

Date of Purchase: \_\_\_\_\_ (you should also keep your receipt)

## EXTENDED WARRANTY

**DON'T MISS YOUR CHANCE TO BE COVERED FOR ALL OF LIFES MISHAPS!**

With Delta's Extended Warranty, you're covered for mechanical failure from normal use or if your item stops working due to normal wear and tear, plus all those unexpected surprises.

## 2 YEARS OF PROTECTION

**For Additional Information:**

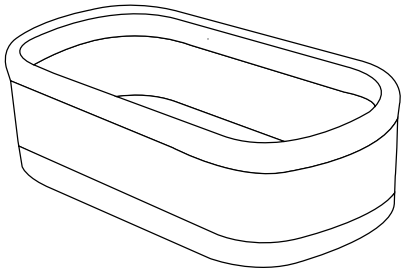
**Simply visit our Website, register your product, and add the Extended Warranty**

**<https://www.deltachildren.com/pages/product-registration>**

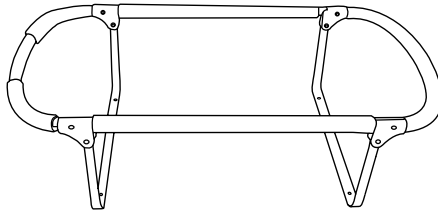
Extended Warranty only available in the following States: Arkansas, Colorado, Delaware, District of Columbia, Georgia, Idaho, Illinois, Indiana, Iowa, Kansas, Kentucky, Louisiana, Maryland, Michigan, Mississippi, Missouri, Nebraska, Nevada, New Hampshire, New York, North Carolina, North Dakota, Pennsylvania, Rhode Island, South Dakota, Tennessee, Utah, West Virginia

# PARTS

**IMPORTANT!** Please remove all parts from the package and identify them before assembly.



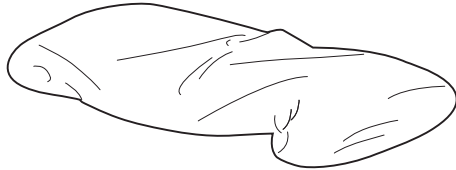
**Fabric Liner**



**Frame**



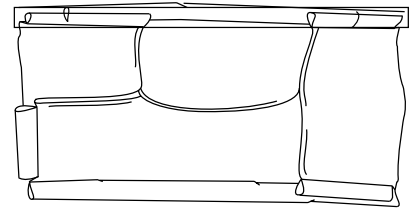
**Mobile Arm & Toys**



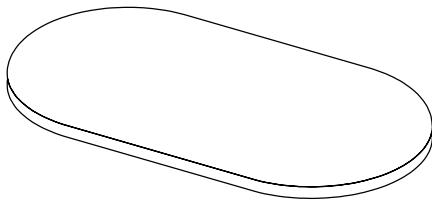
**Mattress Sheet**



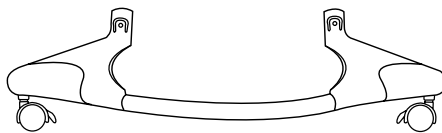
**Legs (X2)**



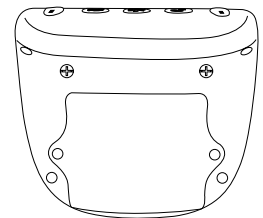
**Storage Basket**



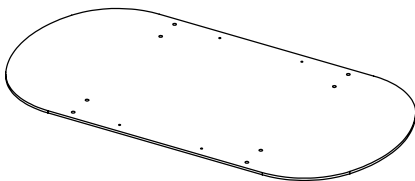
**Mattress Pad**



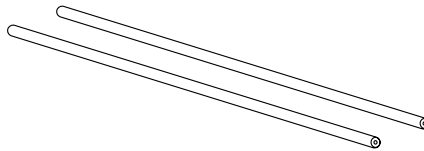
**Base (X2)**



**Music Module**



**Mattress Support**



**Cross Tubes (X2)**

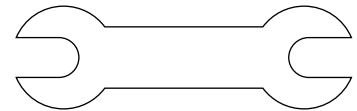


\*Screw is actual size to scale  
**M6 (4 CM) Hex Screw (X8)**



\*Lock Nut is actual size to scale

**M6 Lock Nut (X4)**



**Wrench**

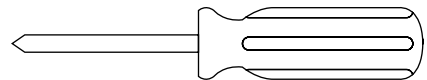


\*Screw is actual size to scale  
**M5 (2.6 CM) Hex Screw (X2)**



\*Lock Nut is actual size to scale

**M5 Lock Nut (X2)**

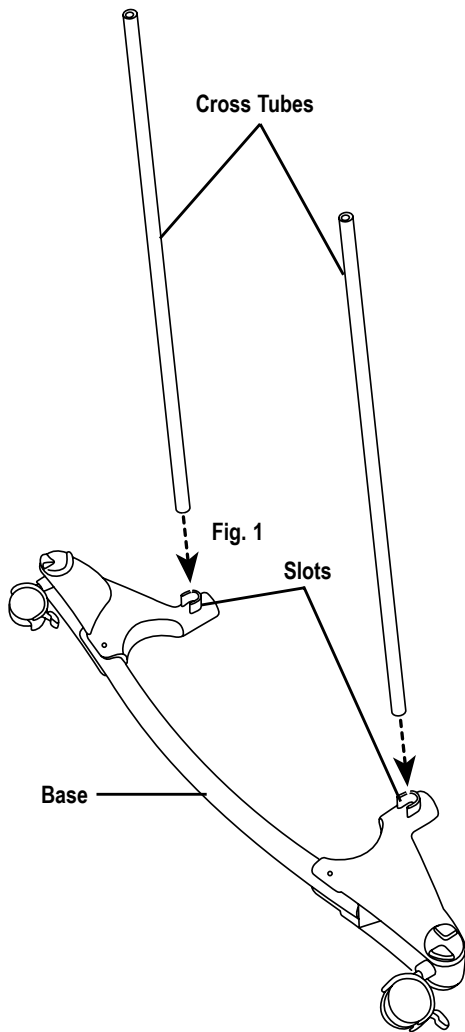


**Screw Driver**



\*Screw is actual size to scale  
**M5 (2.1cm) (X2)**

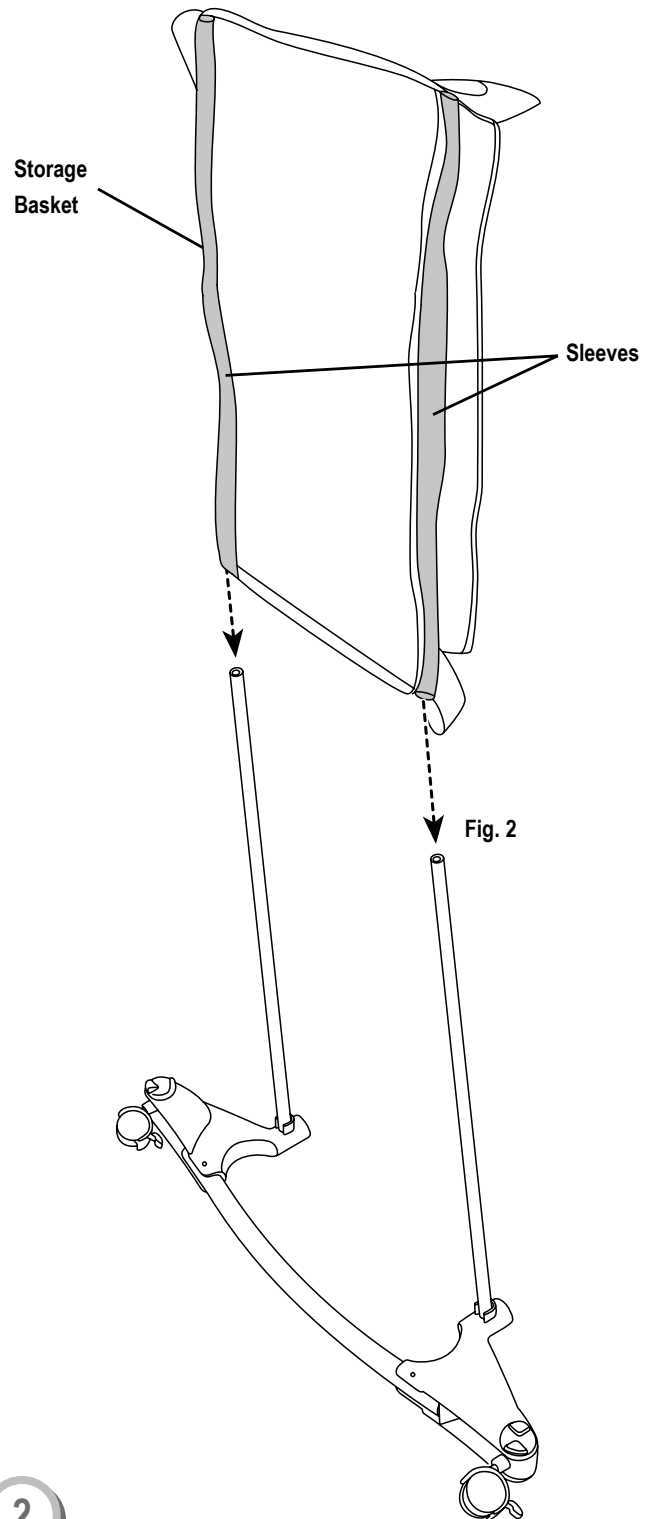
# Bassinet Frame Assembly



1

NOTE: You may need the help of another adult to help steady all parts for assembly.

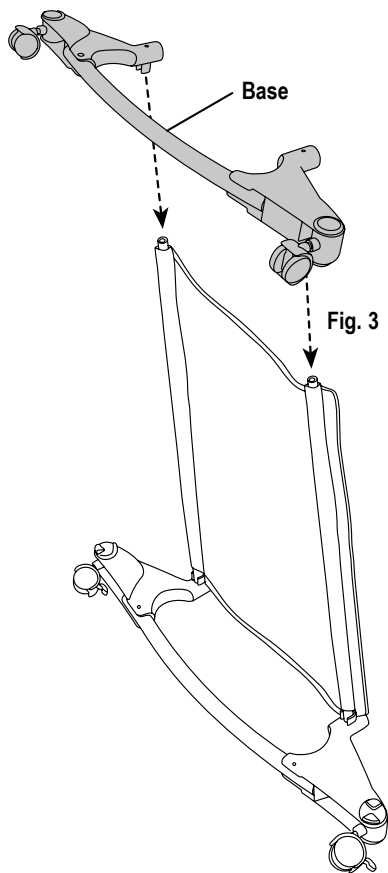
- Place a base on a flat surface with the slots facing up.
- Fit a cross tube into each slot. Push down on each tube to be sure it is in place (Fig. 1)



2

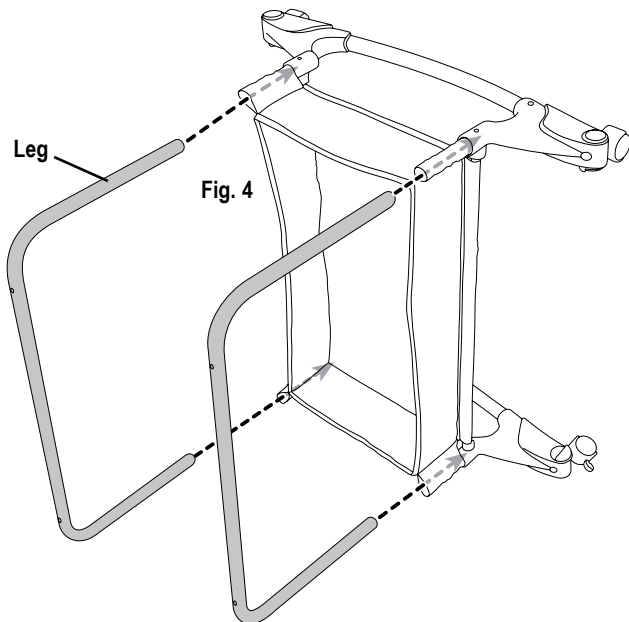
- Position the storage basket so that the pockets face away from you.
- Slide the storage basket fabric sleeves onto the cross tubes (Fig. 2).

# Bassinet Frame Assembly



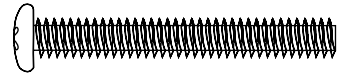
3

- Fit the other base slots onto the cross tubes (Fig. 3).
- Push on the base near each cross tube to be sure it is in place.

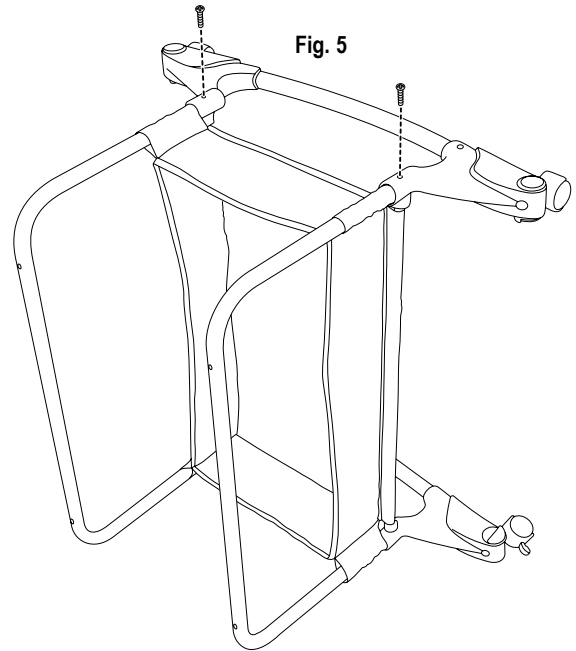


4

- First, fit the ends of a leg into short fabric sleeves in the storage basket. Then, fit the ends of the leg into receptacle in each base (Fig. 4).
- Repeat this procedure to assemble the other leg to the storage basket and bases.



\*Screw is actual size to scale  
**M6 (4 CM) Hex Screw (X4)**



5

- Insert four (M6 x 4 cm) screw through the hole in each base, the ends of the legs and into the end of each cross tube (Fig. 5).  
 Hint: You may need to align the holes of all three parts to properly insert the screw.
- Tighten the screw with the Phillips screwdriver.
- Repeat this procedure to fasten the legs, bases and cross tubes on the other side of the assembly.

# Bassinet Frame Assembly

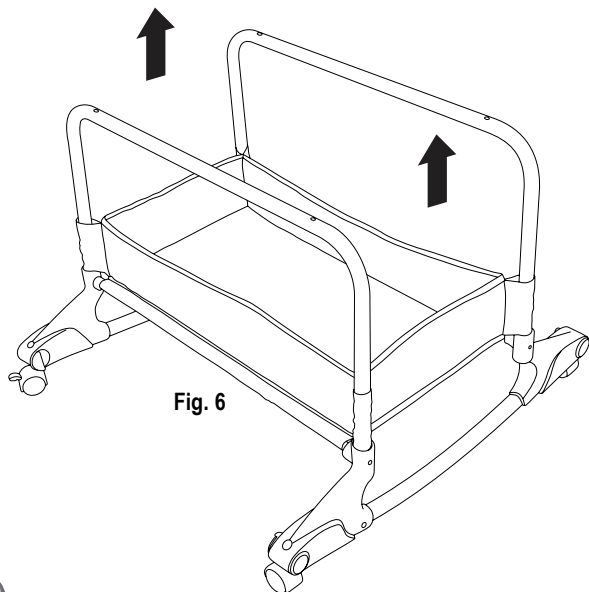


Fig. 6

6

- Turn the assembly upright (Fig. 6).
- Check to be sure the legs are secure. While gently holding the base down, pull up on the legs. They should remain assembled to the bases.

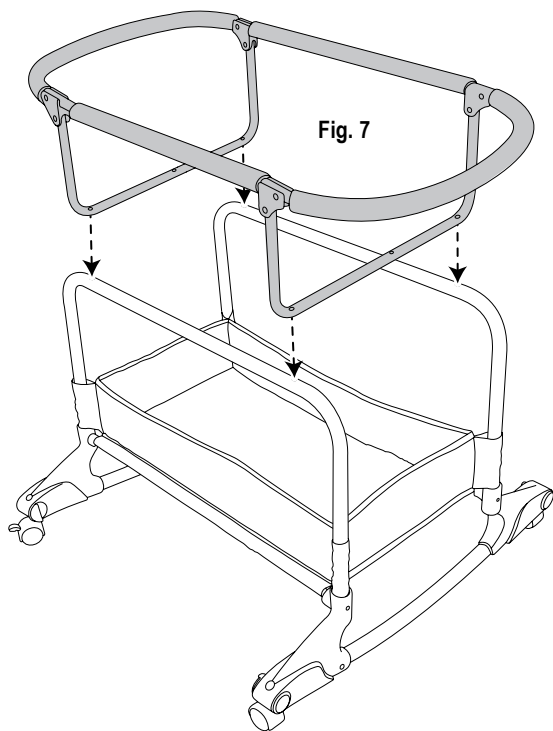


Fig. 7

7

- Rotate the bases of the frame down.
- Place the frame onto the top of the legs. Align the holes in the bases of the frame with the holes in the legs (Fig. 7)

NOTE: Do not remove the foam around top of frame.



\*Screw is actual size to scale

**M6 (4 CM) Hex Screw (X4)**

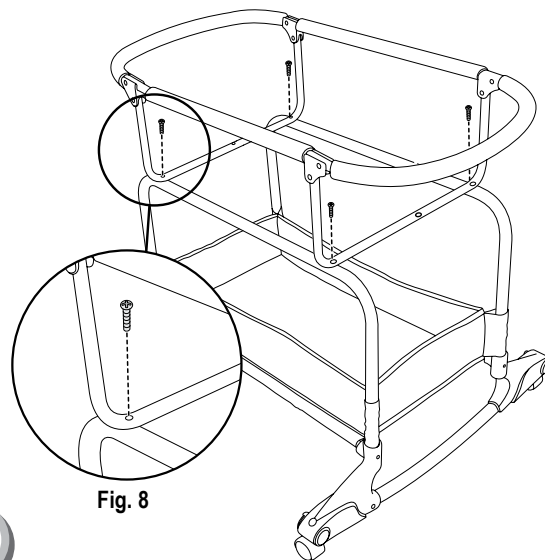


Fig. 8

8

- Insert four M6 x 4cm screws through the holes in the frame and legs (Fig. 8).



\*Lock Nut is actual size to scale

**M6 Lock Nut (X4)**

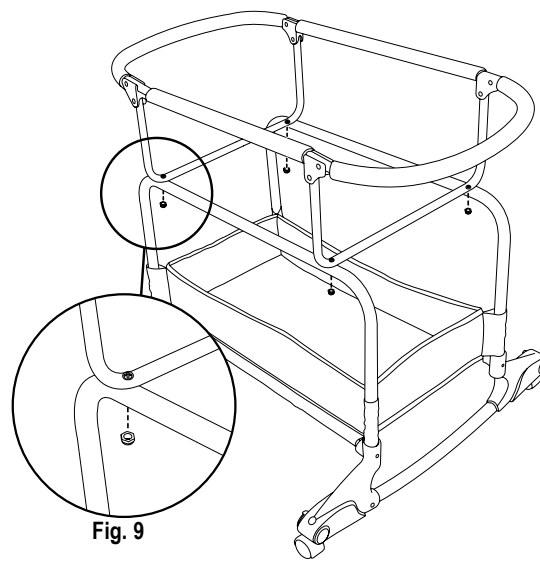


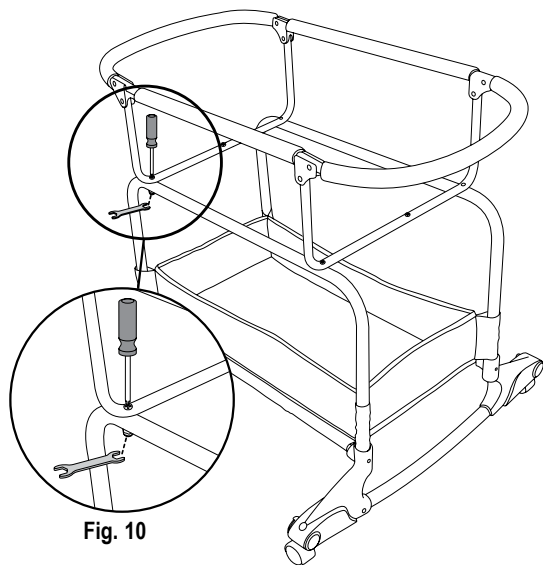
Fig. 9

9

- Attach an M6 lock nut to the end of each screw. Make sure the rounded side of the lock nuts face down. Hand-tighten the lock nuts onto the screws (Fig. 9).



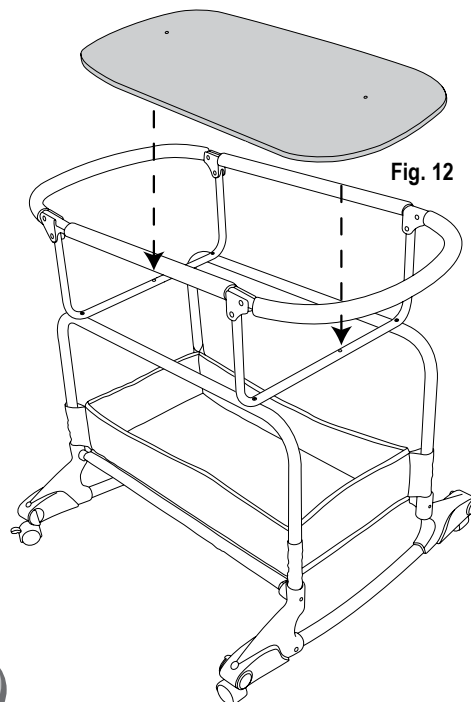
# Bassinet Frame Assembly



10

Fig. 10

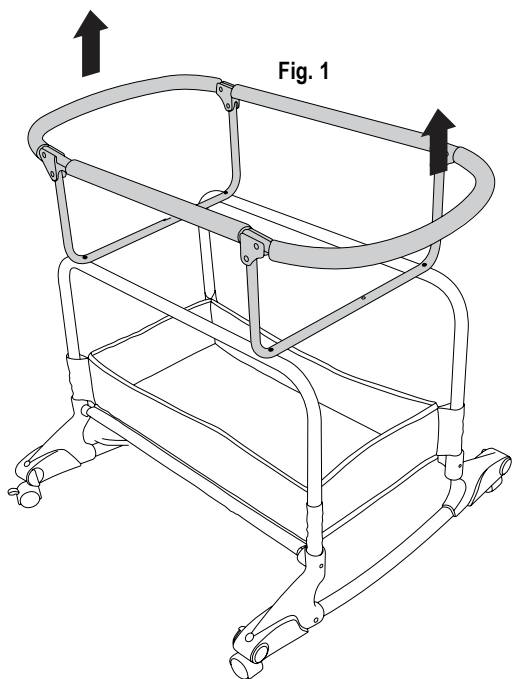
- While holding an M6 lock nut in place with the wrench, completely tighten a screw with the Phillips screwdriver (Fig. 10).
- Repeat this procedure tighten the other three screws.



12

Fig. 12

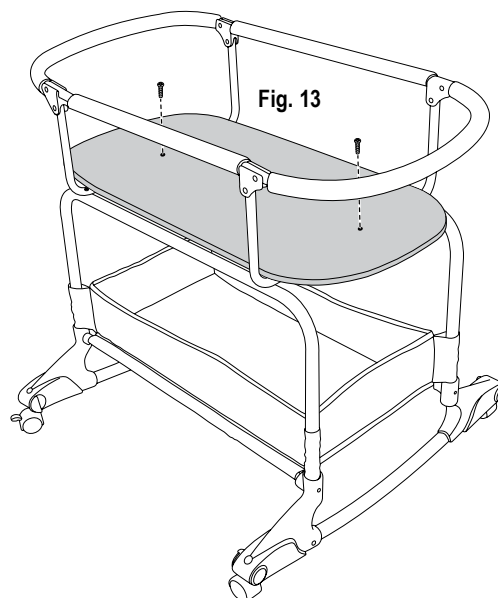
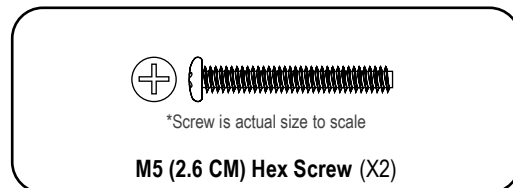
- Place the mattress support into the frame (Fig. 12).



11

Fig. 1

- Check to be sure the frame is secure. While gently holding a base own, pull up on the frame It should remain attached to the legs (Fig. 11).



13

Fig. 13

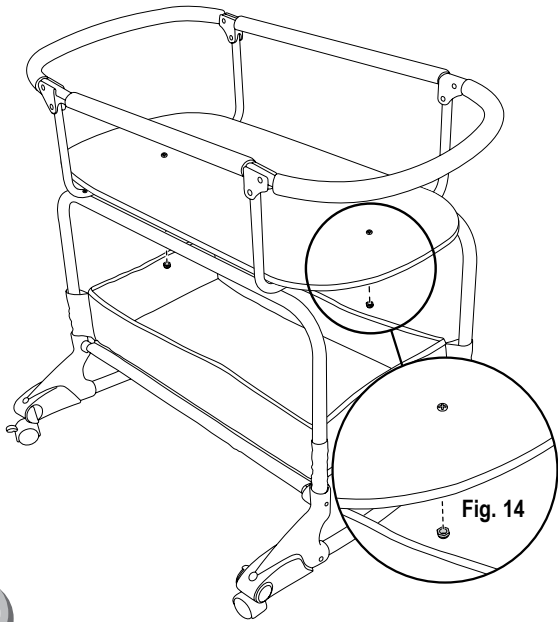
- Align the holes in the mattress support with the holes in the frame.
- Insert two (M5 x 2.6 cm) screws through the mattress support and into the frame (Fig. 13).

# Bassinet Frame Assembly



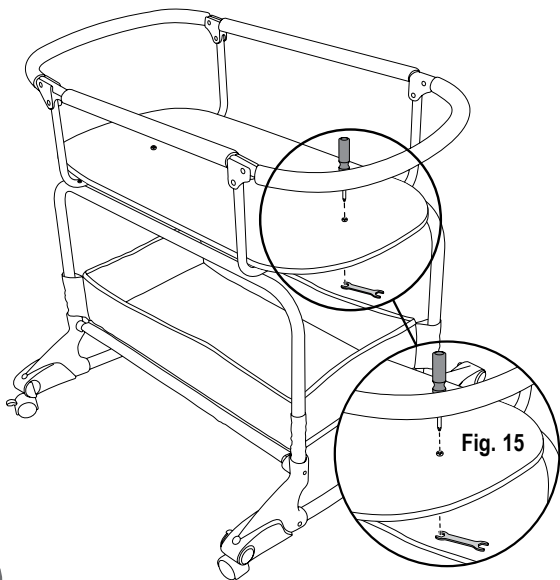
\*Lock Nut is actual size to scale

**M5 Lock Nut (X2)**



14

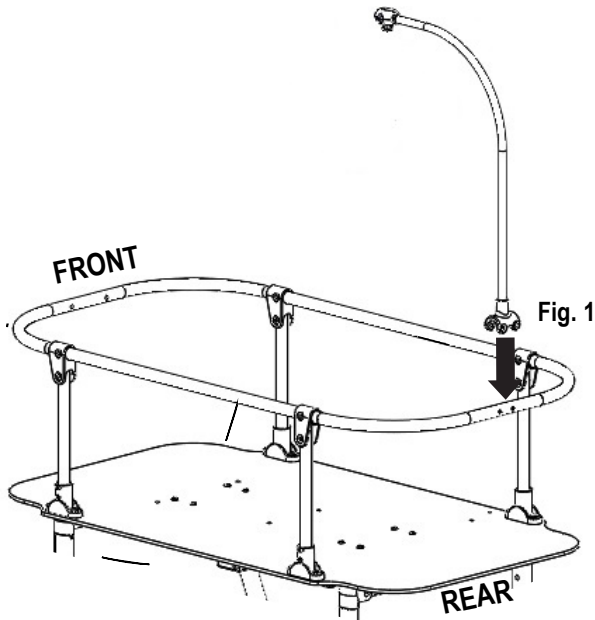
- Attach a M5 lock nut to the end of the screw. Make sure the rounded side of the lock nut faces down. Hand-tighten the lock nuts onto the screws (Fig. 14).



15

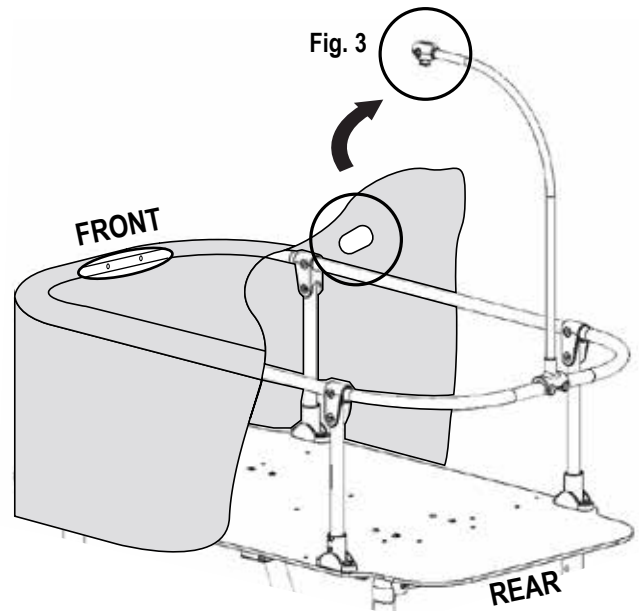
- While holding an M5 lock nut in place with a wrench, completely tighten screw with a Phillips screwdriver (Fig. 15).
- Repeat this procedure to tighten the other screws.

# Attaching Mobile Arm & Fabric Liner



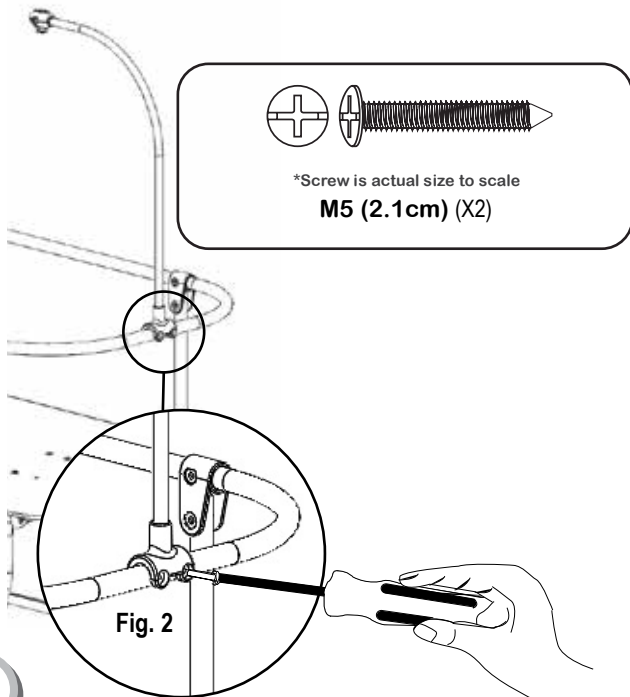
1

- Position mobile arm near the rear of the bassinet and align the two holes on the mobile arm joint to the top rail holes (Fig. 1).



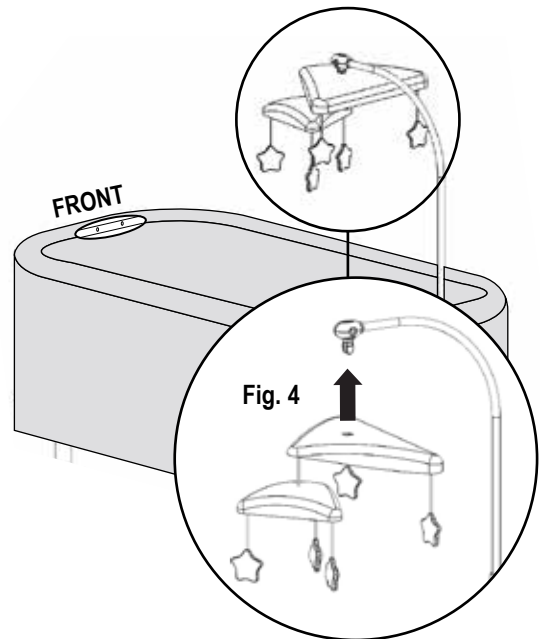
3

- Locate mobile arm hole on rear of fabric liner and insert it over the mobile arm (Fig. 3).



2

- Locate the two (x2) M5 x 2.1cm screws and a Phillips screwdriver (Fig. 2).
- Align the two holes of the mobile arm joint to the top rail holes and insert the (x2) M5 screws onto the mobile arm joint and use a Phillips screwdriver to tighten both screws on both sides (Fig. 2A).

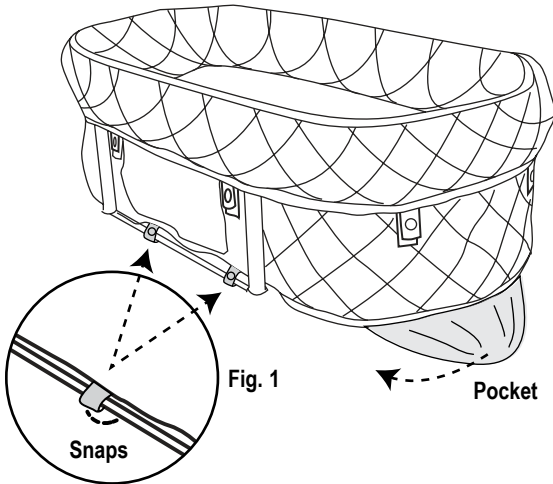


4

## ATTACHING TOYS TO MOBILE ARM

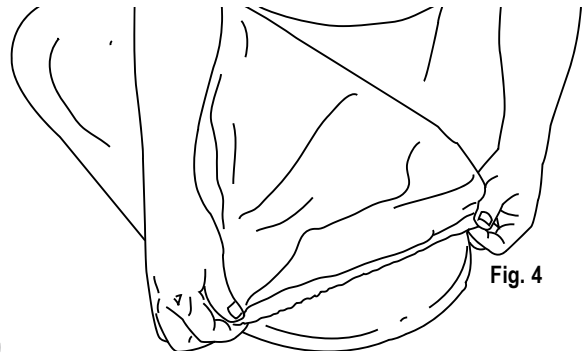
- Locate the mobile arm and toys and attach it together until it locks in place (Fig. 4).

# Fabric Liner & Mattress Pad Assembly



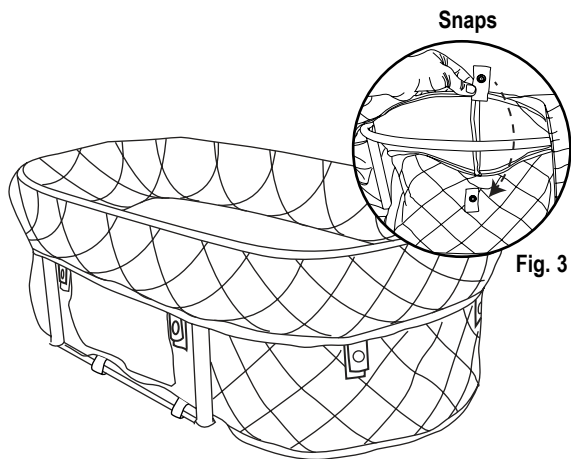
1

- Stretch the pockets bottom of the liner around the ends of the mattress support.
- Snap all 2 snaps to the bottom of mattress board (Fig. 1).
- Repeat this procedure to snap the other 2 snaps around the bottom of mattress board.



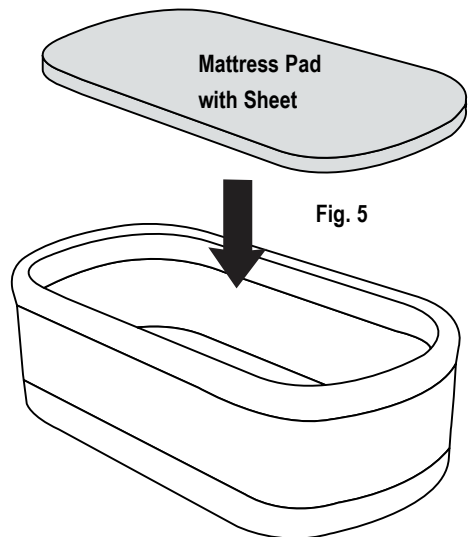
3

- Place the sheet over the mattress pad (Fig. 4)



2

- Lift the skirt on the liner. Snap all 4 straps around the top of the side of the frame (Fig. 3).
- Repeat this procedure to snap the other 4 straps around the top of the frame.



4

- Please place the mattress pad with sheet inside the bassinet for the safety and comfort of your baby (Fig. 5).

# Consumer Information



**Read all instructions BEFORE assembly and USE of product. KEEP INSTRUCTIONS FOR FUTURE USE.**

**CAUTION:** - Changes or modifications not expressly approved by the party responsible for compliance could void the user's authority to operate the equipment.

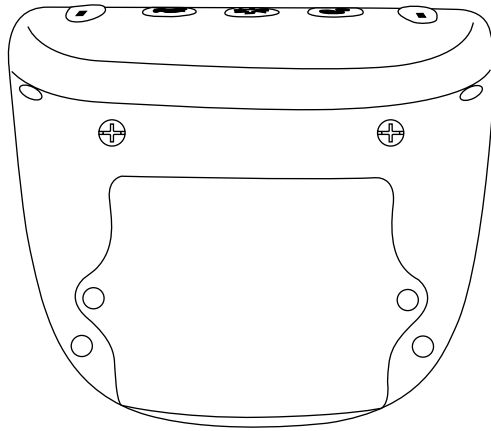
**NOTE:** This equipment has been tested and found to comply with the limits for a class B digital device pursuant to Part 15 of the FCC Rules. These limits are designed to provide reasonable protection against harmful interference in a residential installation. This equipment generates, uses and can radiate radio frequency energy and, if not installed and used in accordance with the instructions, may cause harmful interference to radio communications. However, there is no guarantee that interference will not occur in a particular installation. If this equipment does cause harmful interference to radio or television reception, which can be determined by tuning the equipment off and on, the user is encouraged to try to correct the interference by one or more of the following measures:

- Reorient or relocate the receiving antenna.
- Increase the separation between the equipment and receiver.
- Connect the equipment into an outlet on a circuit different from that to which the receiver is connected.
- Consult the dealer or experienced radio/TV technician for help.

This device complies with part 15 of the FCC Rules. Operation is subject to the following two conditions:

- This device may not cause harmful interference, and
- this device must accept any interference received, including interference that may cause undesired operation.

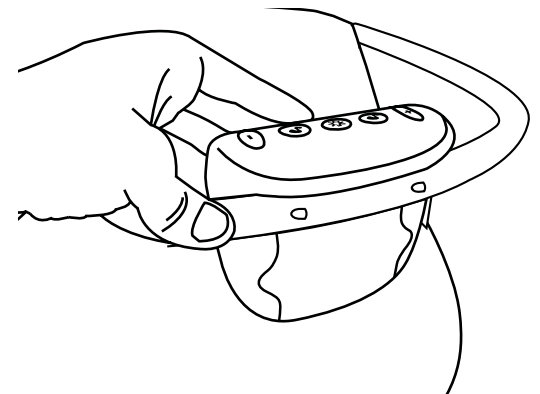
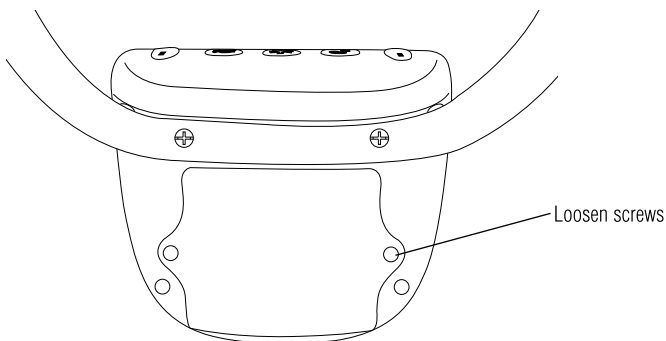
# Battery Safety Information



In exceptional circumstances, batteries may leak fluids that can cause a chemical burn injury or ruin your product. To avoid battery leakage:

- Do not mix old and new batteries or batteries of different types: alkaline, standard (carbon-zinc) or rechargeable (nickel-cadmium).
- Insert batteries as indicated inside the battery compartment.
- Remove batteries during long periods of non-use. Always remove exhausted batteries from the product. Dispose of batteries safely.
- Never short-circuit the battery terminals.
- Use only batteries of the same or equivalent type, as recommended.
- Do not charge non-rechargeable batteries.
- Remove rechargeable batteries from the product before charging.
- If removable, rechargeable batteries are used, they are only to be charged under adult supervision.
- When discarding batteries, be sure to dispose of them in the proper manner, according to your state and local regulations.

## Attaching Music Module

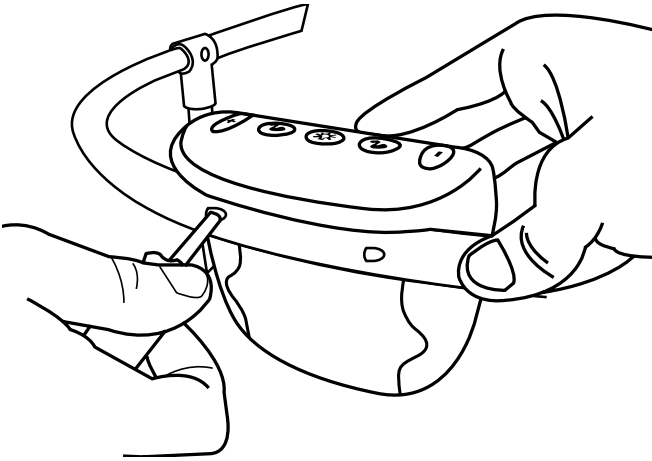


1. Locate battery Compartment on the front of music module. Loosen screw in Battery Compartment with Phillips Head screwdriver.
- Lift to remove door. Insert four (4) "AA" alkaline batteries.
- Replace door and tighten screw.

**HINT:** We recommend using alkaline batteries for longer battery life.

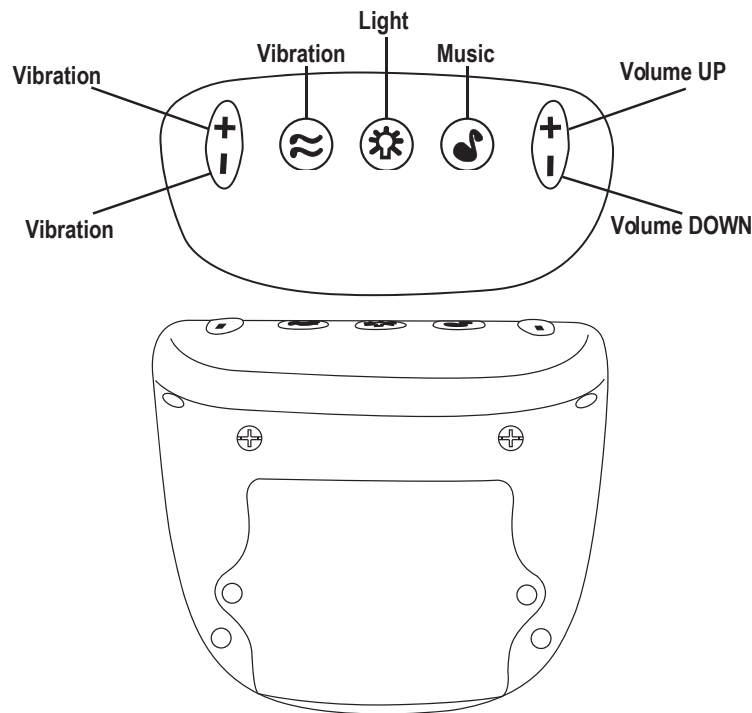
2. To attach Music Module, remove the screws and line up music module to screw holes on front mattress support frame.

## Attaching Music Module




3. Position Music Module onto mattress support frame and screw module to frame.

## Music Module Operation



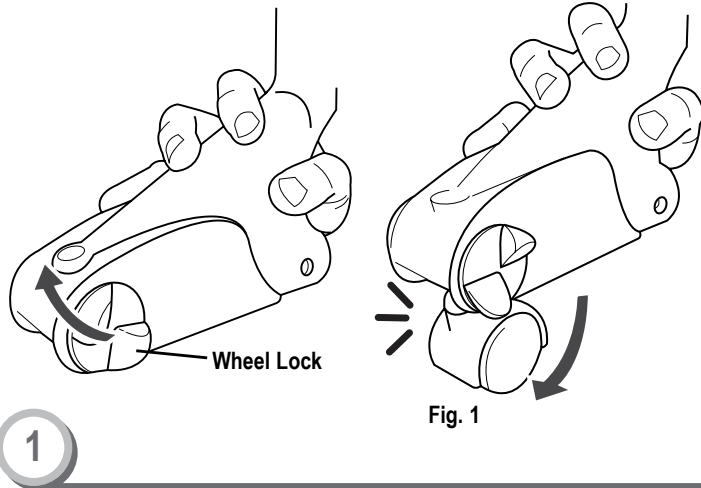
- Activate bassinet light by pressing LIGHT button  on the top of the music module.

**NOTE:** Light will stay on in (5 minute) cycles, unless button is pressed before (5 minute) are up.

- Press MUSIC button (  ) on top of the music module to activate MUSIC. Press button multiple times to cycle through three (3) music melodies.

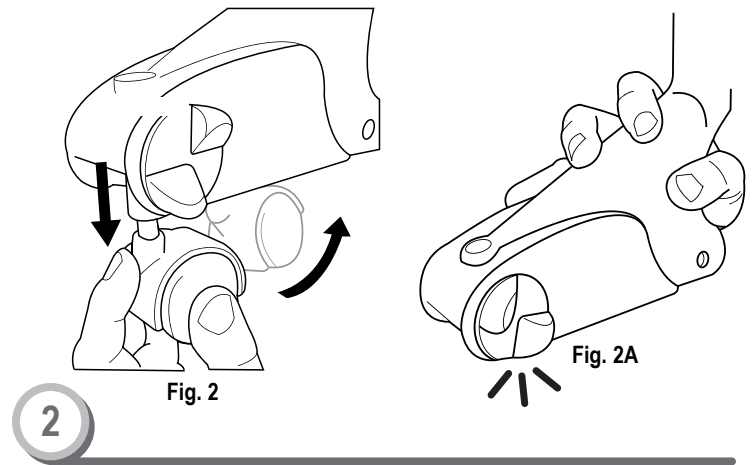
- Volume can be adjusted with UP/DOWN buttons on the top of the music module.

# Retractable Wheels



## Bassinet Mode

- Turn the wheel lock to lower the wheel. Make sure you hear a “click” as the wheel locks in place (Fig. 1).
- Repeat this procedure to lower the other three wheels.



## Rocking Mode

- First, pull the wheel down (Fig. 2).
- Then push it up into the base (Fig. 2A).
- Make sure lock tab is facing up as wheel is inserted into base.
- Repeat this procedure to retract the other three wheels.

# Care and Maintenance

- The frame, mattress pad, and storage basket may be wiped clean using a mild cleaning solution and a damp cloth. Do not use bleach. Do not use harsh or abrasive cleaners. Rinse clean with water to remove residue. Do not immerse the frame.
- The sheet is machine washable. Wash it separately in cold water on the gentle cycle. Do not use bleach. Tumble dry separately on low heat and remove promptly.
- Always store product in a clean and dry place.
- Before each usage or assembly, inspect unit for damaged hardware, loose joints, missing parts or sharp edges. NEVER use this product if there are any loose or missing fasteners, loose joints, broken parts, or torn mesh/fabric. Check before assembly and periodically during use. Contact Delta Children Customer Service Department at [gcs@DeltaChildren.com](mailto:gcs@DeltaChildren.com) for replacement parts, repair or instructions.



# Notes

---

---

---

---

---

---

---

---

---

---

---

---

---

---

---

---

---

---

---

---

---

---

---

---

---

---

---

# Notes

---

---

---

---

---

---

---

---

---

---

---

---

---

---

---

---

---

---

---

---

---

---

---

---

---

---



# DELTA♥CHILDREN

Delta Children's Products Corp.  
114 West 26<sup>th</sup> Street  
New York, NY 10001  
[gcs@DeltaChildren.com](mailto:gcs@DeltaChildren.com)  
[www.DeltaChildren.com](http://www.DeltaChildren.com)