

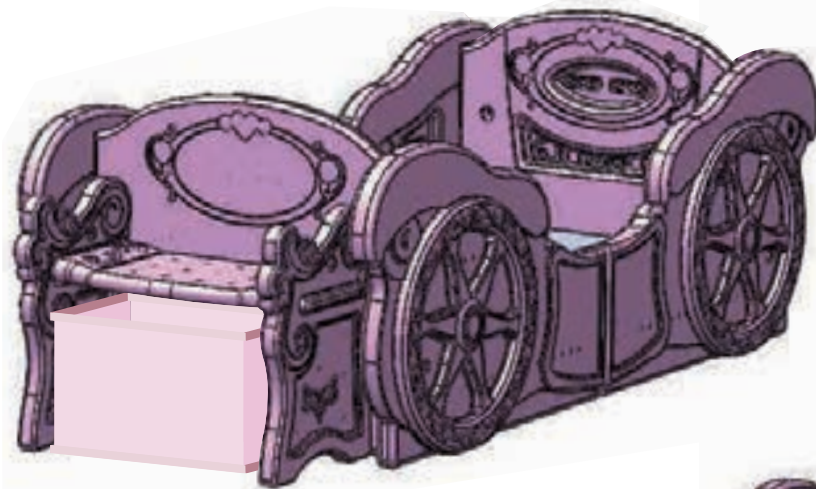


Toddler to Twin Carriage Bed

BB86983PS Toddler Bed • BB87191PS Twin Bed

PHILLIPS SCREWDRIVER REQUIRED.

Colors and styles may vary slightly.
Accessories not included. Bedding
and mattress not included.

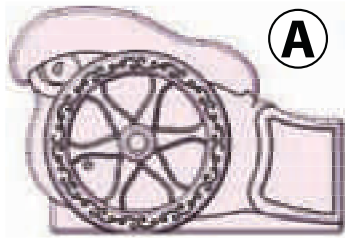


WARNING:

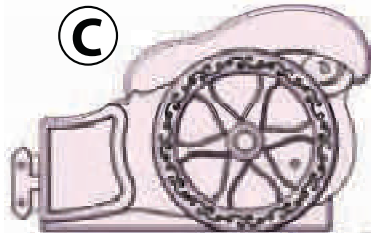
THIS ITEM REQUIRES ASSEMBLY BY AN ADULT BECAUSE OF SMALL PARTS. CARE SHOULD BE TAKEN IN UNPACKING AND ASSEMBLY OF THIS PRODUCT.



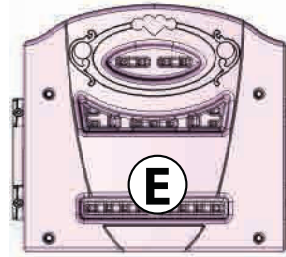
Toddler Bed Parts: HARDWARE SET FOUND IN TODDLER BED BOX



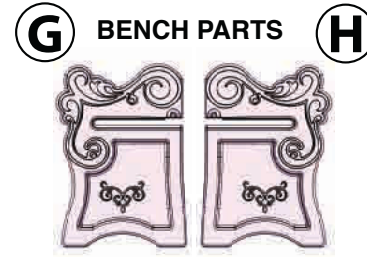
(2) Side Panel Female



(2) Side Panel Male



(2) Headboard/Footboard Panel (headboard side view)



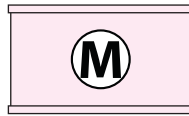
(1) Left Panel (1) Right Panel



(1) Seat Panel



(2) Side Rail Connector Straps



(1) Fabric Bin

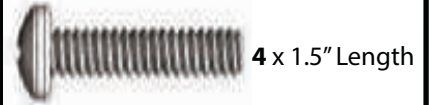


(1) Fabric Bin Base

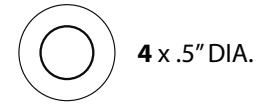
TO FULLY ASSEMBLE THE TODDLER BED YOU WILL NEED



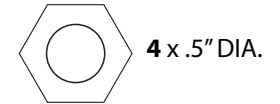
16 x 1" Length



4 x 1.5" Length

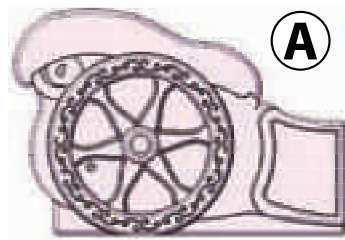


4 x .5" DIA.

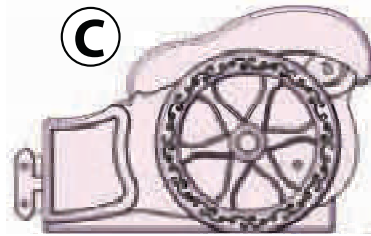


4 x .5" DIA.

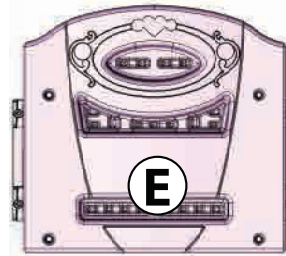
Twin Bed Parts: HARDWARE SET FOUND IN TWIN BED BOX



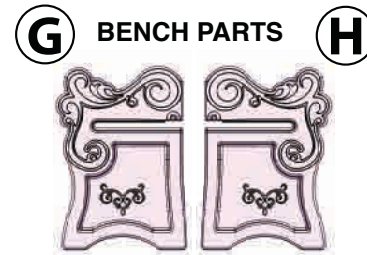
(2) Side Panel Female



(2) Side Panel Male



(2) Headboard/Footboard Panel



(1) Left Panel (1) Right Panel



(1) Seat Panel



(1) Side Panel Extender



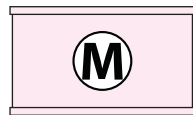
(2) Headboard/Footboard Panel Left Extender



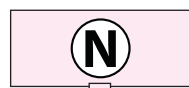
(2) Headboard/Footboard Panel Right Extender



(2) Side Rail Connector Straps



(1) Fabric Bin



(1) Fabric Bin Base



(2) Canopy Pole Top



(1) Canopy Pole Base Left

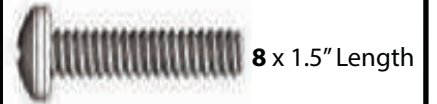


(1) Canopy Pole Base Right

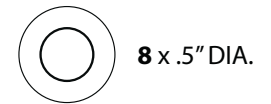
TO FULLY ASSEMBLE THE TWIN BED YOU WILL NEED



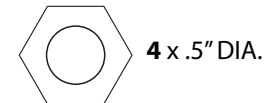
28 x 1" Length



8 x 1.5" Length



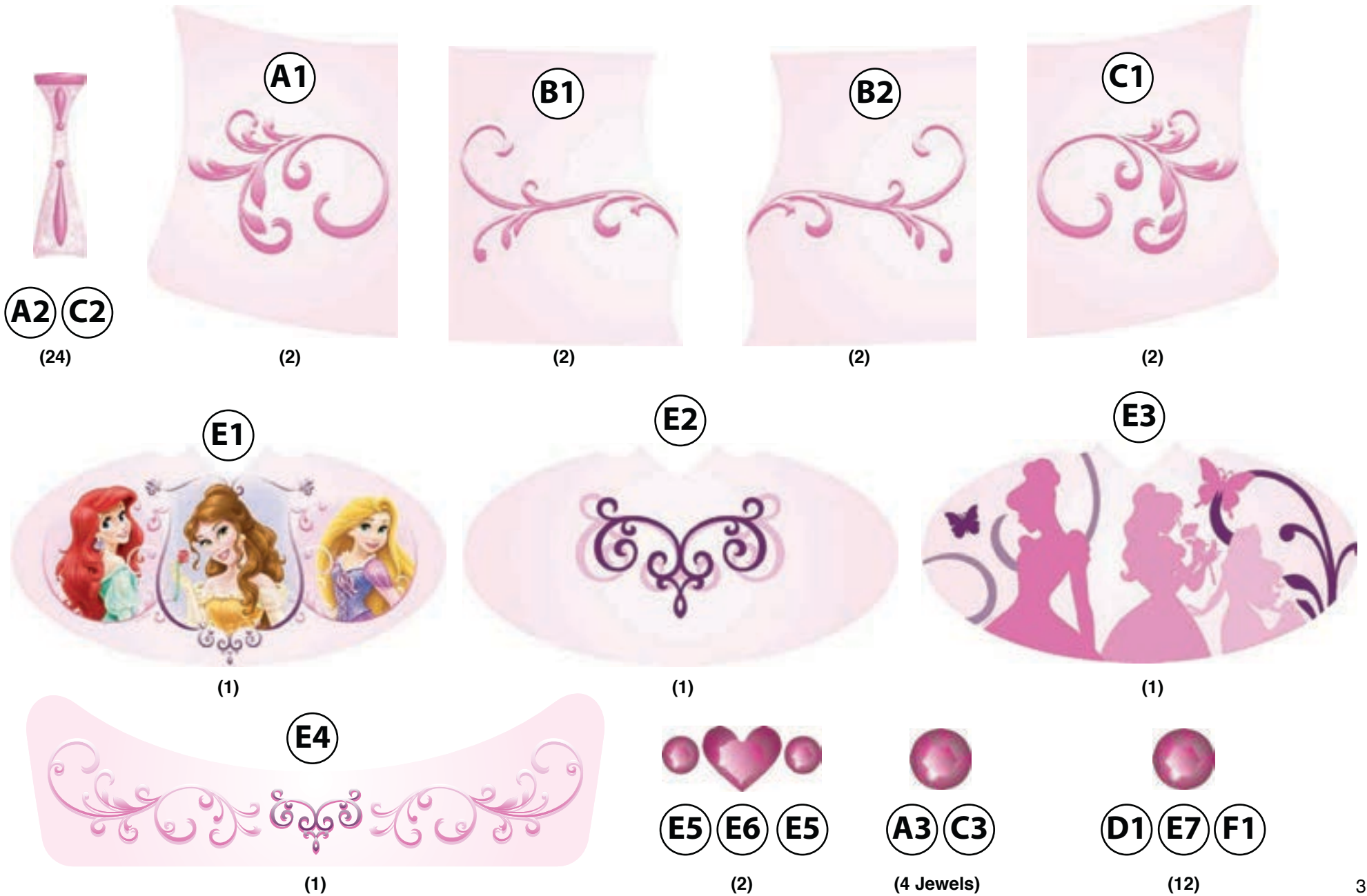
8 x .5" DIA.



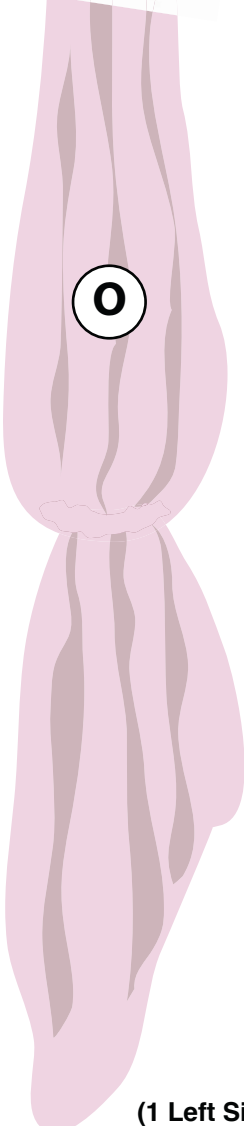
4 x .5" DIA.

Stickers

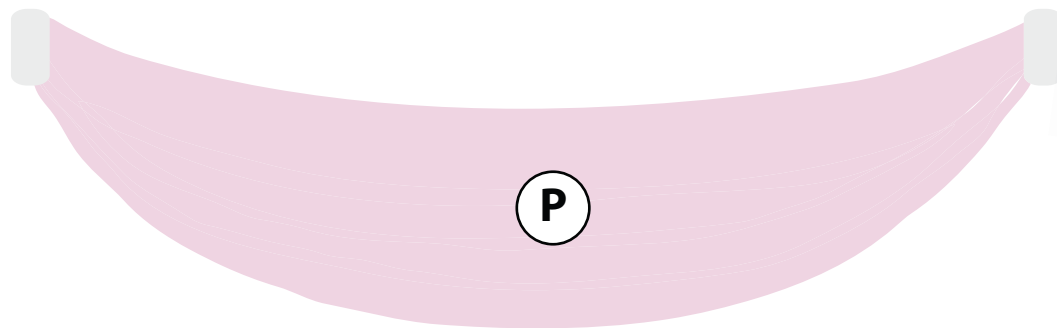
- Please apply all stickers on individual parts before assembly.
- For best results, place individual parts on a flat surface before applying stickers and acrylic jewels.



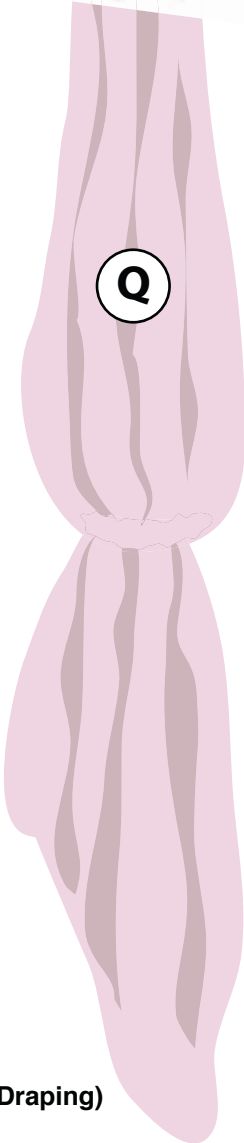
Canopy Drapings



(1 Left Side Draping)

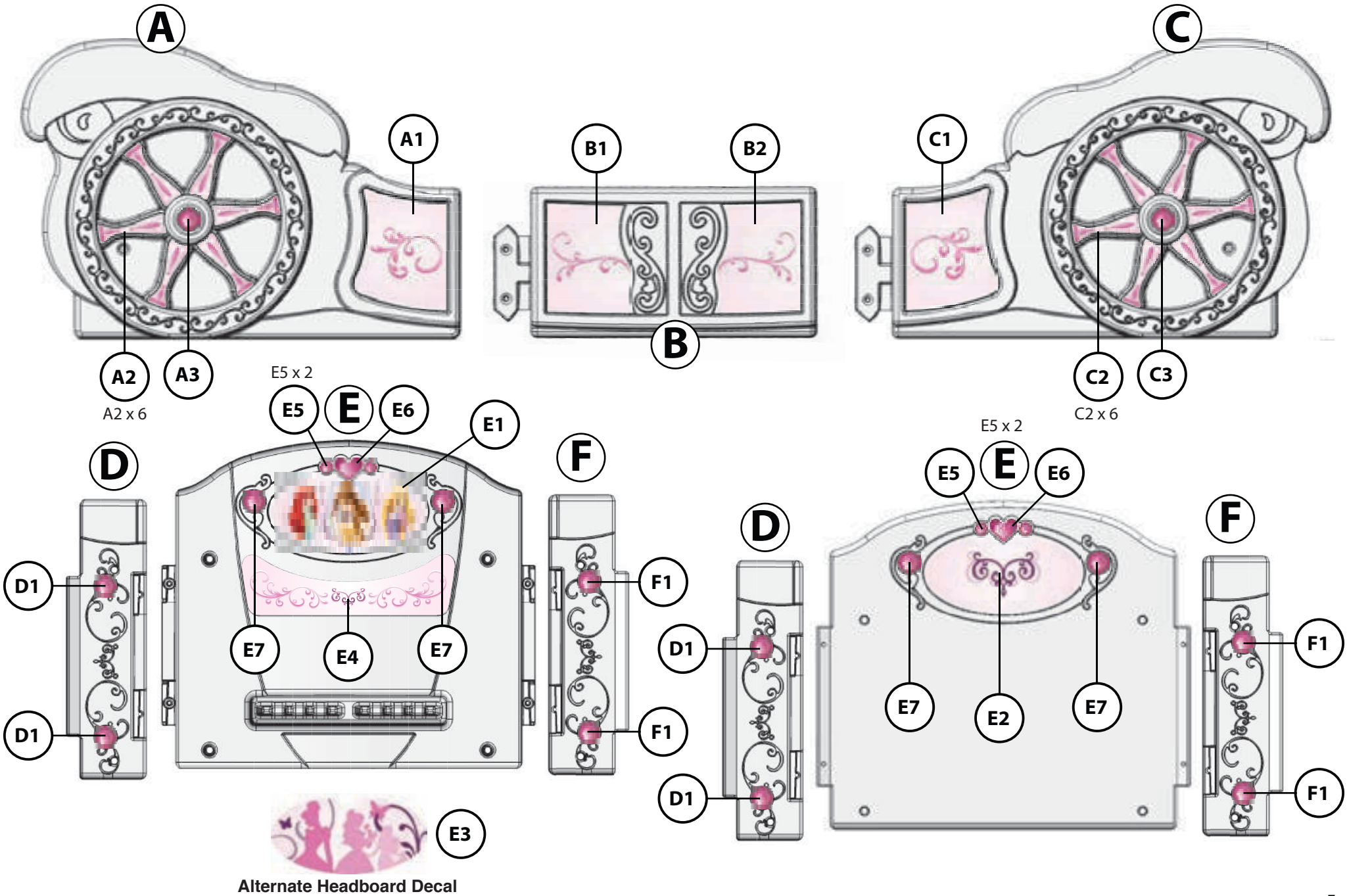


(1 Center Draping)



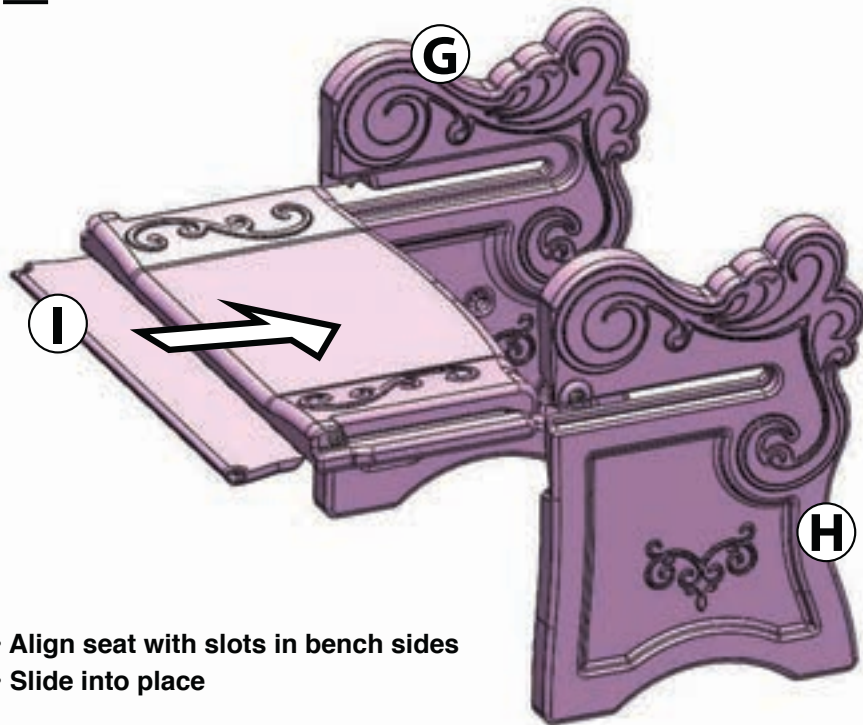
(1 Right Side Draping)

1 Apply all decals

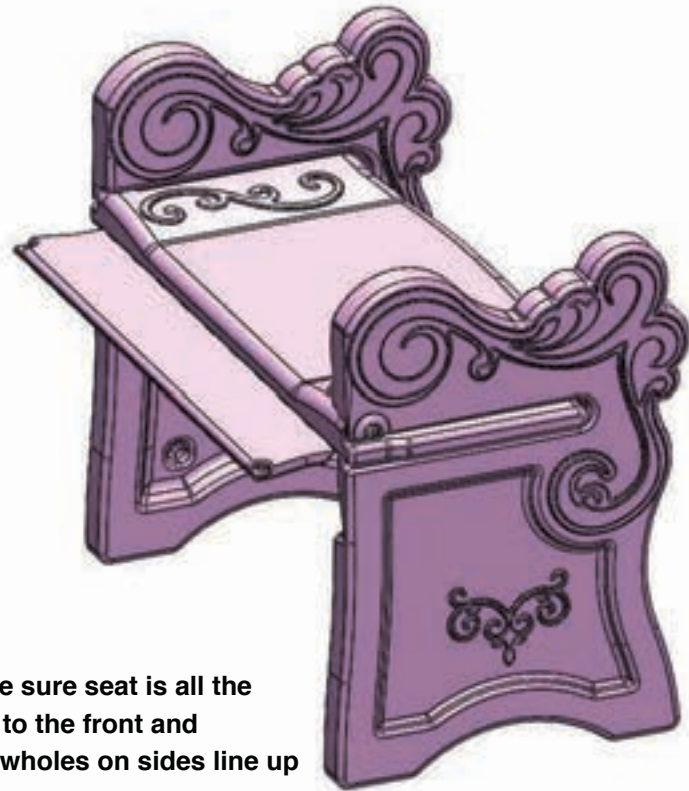


2 Assemble Bench

2A



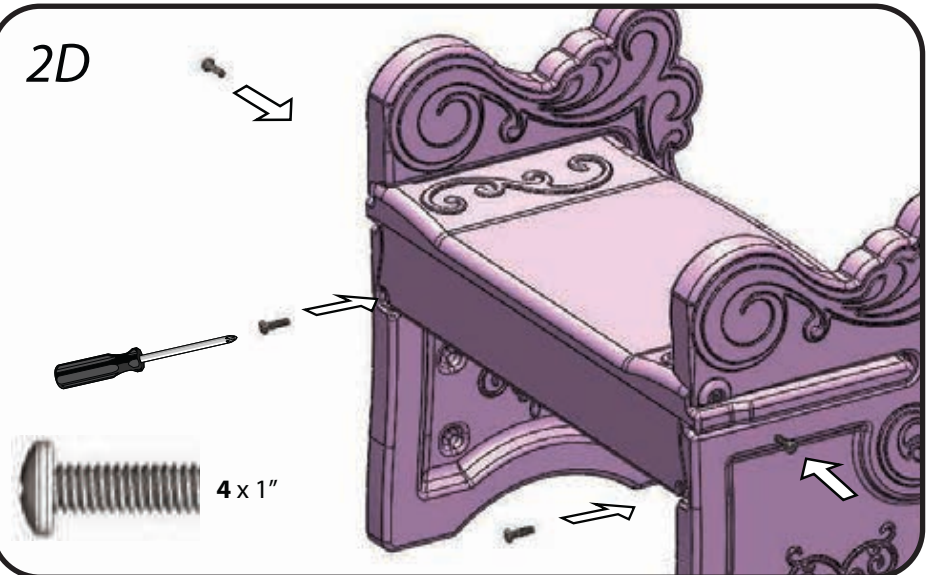
2B



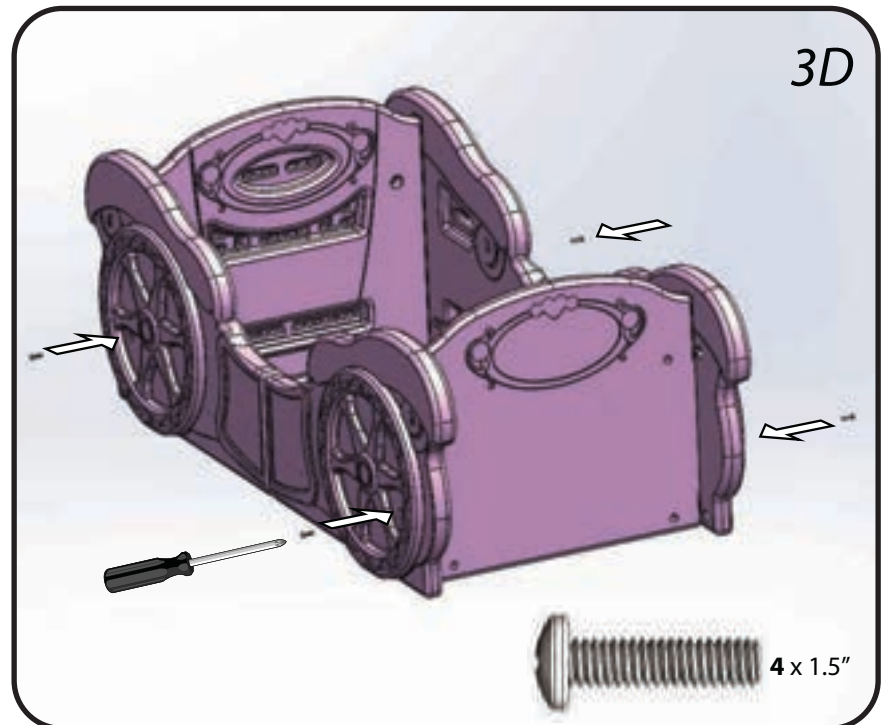
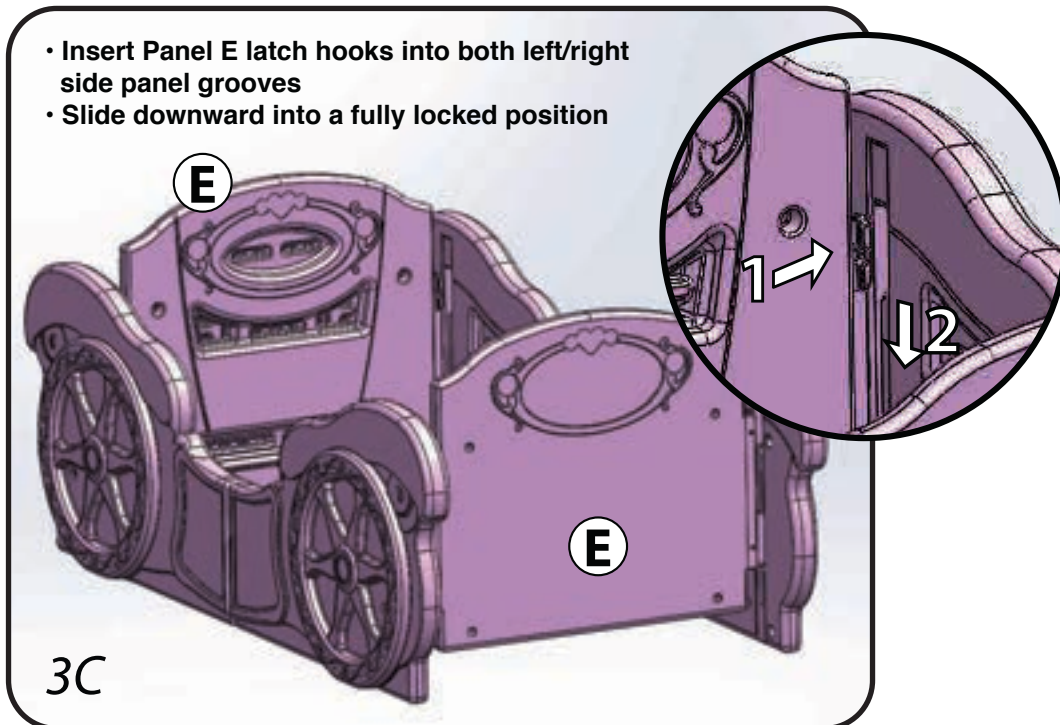
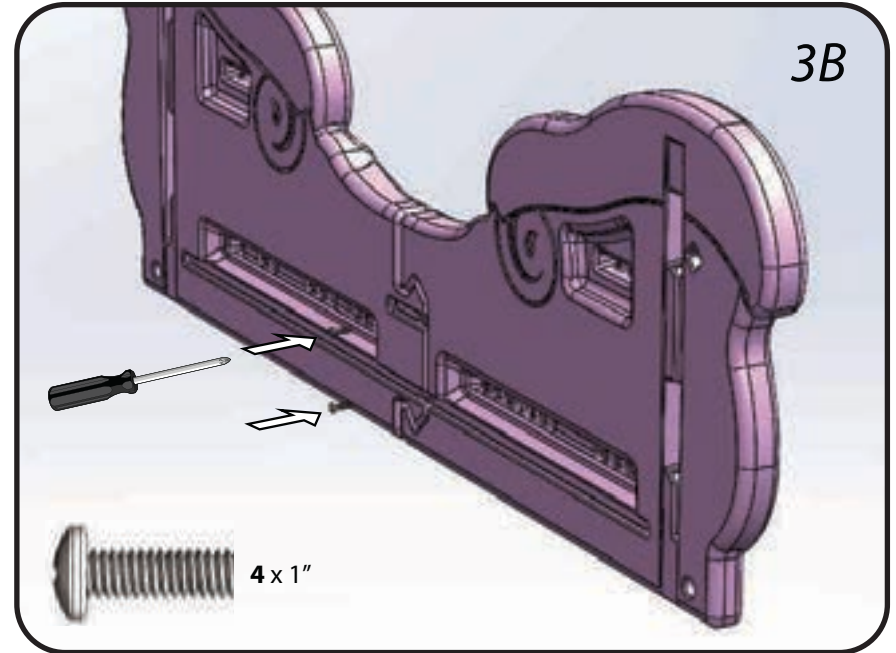
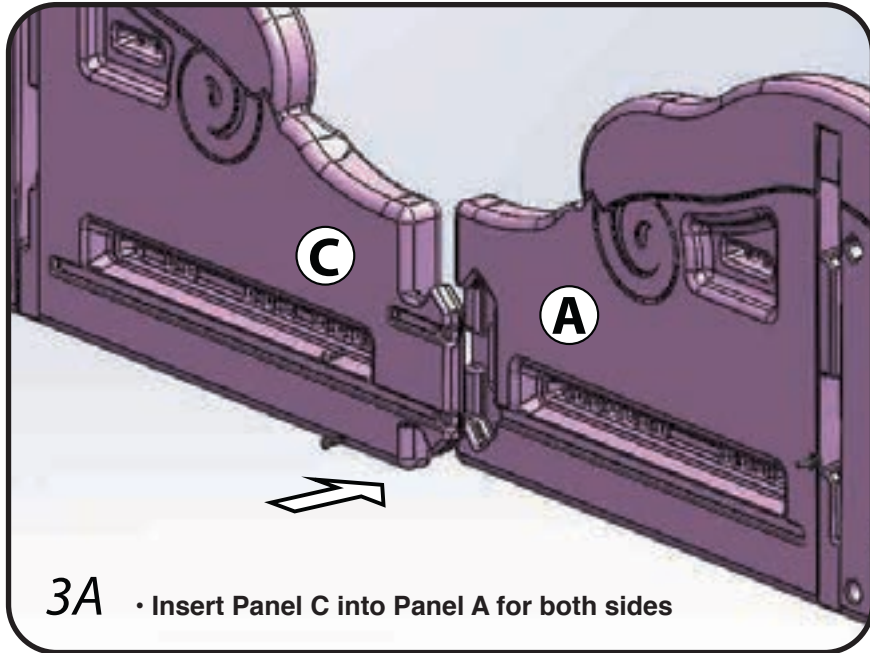
2C

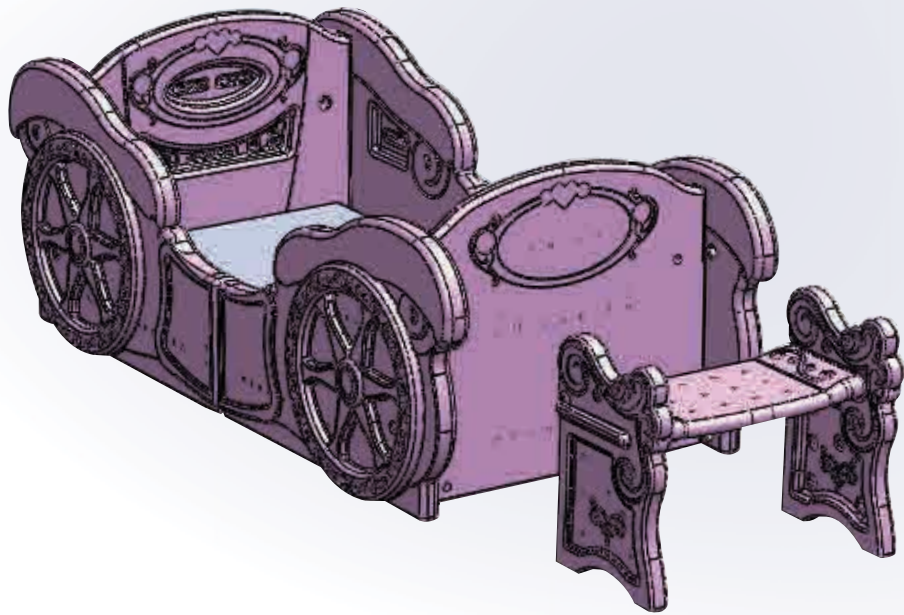


2D

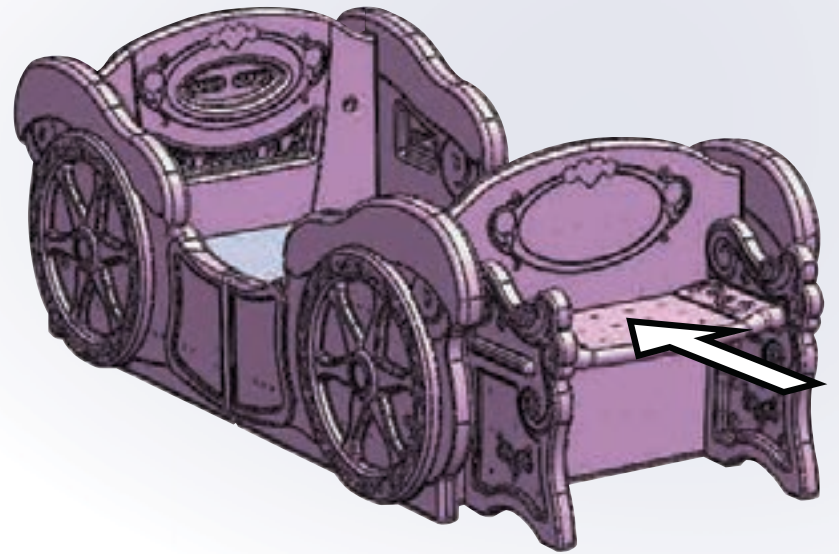


3 Toddler Bed Assembly



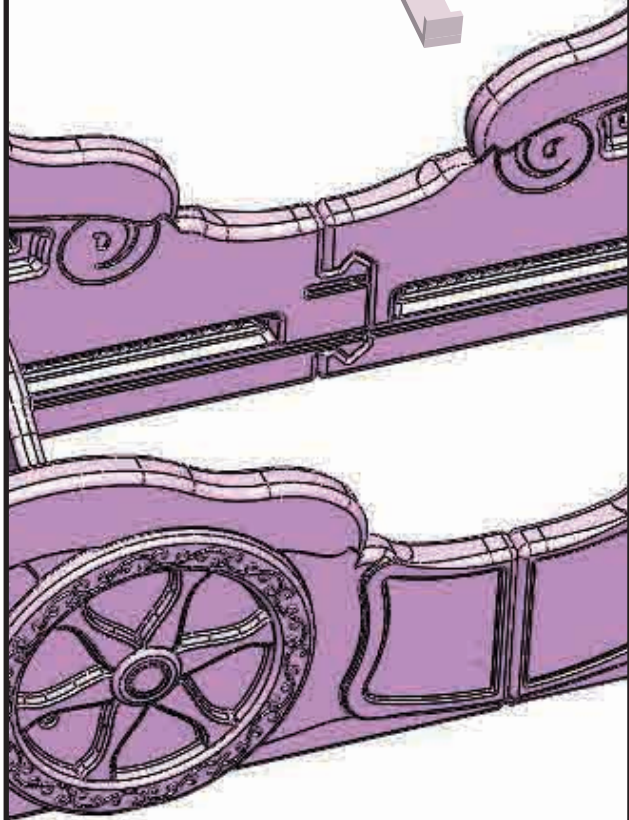
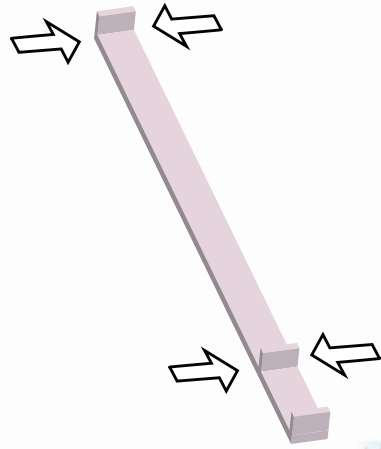


3E • Align bench to footboard (Panel E)



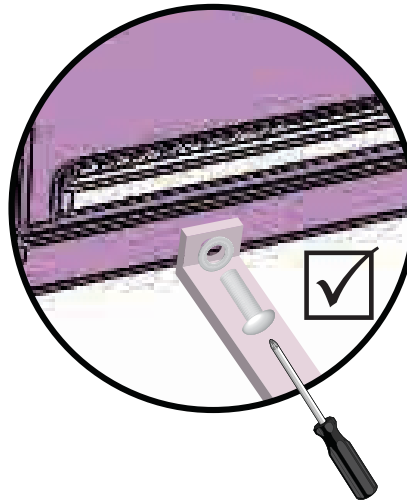
3F

3G



• Use these screw tabs for toddler bed setup

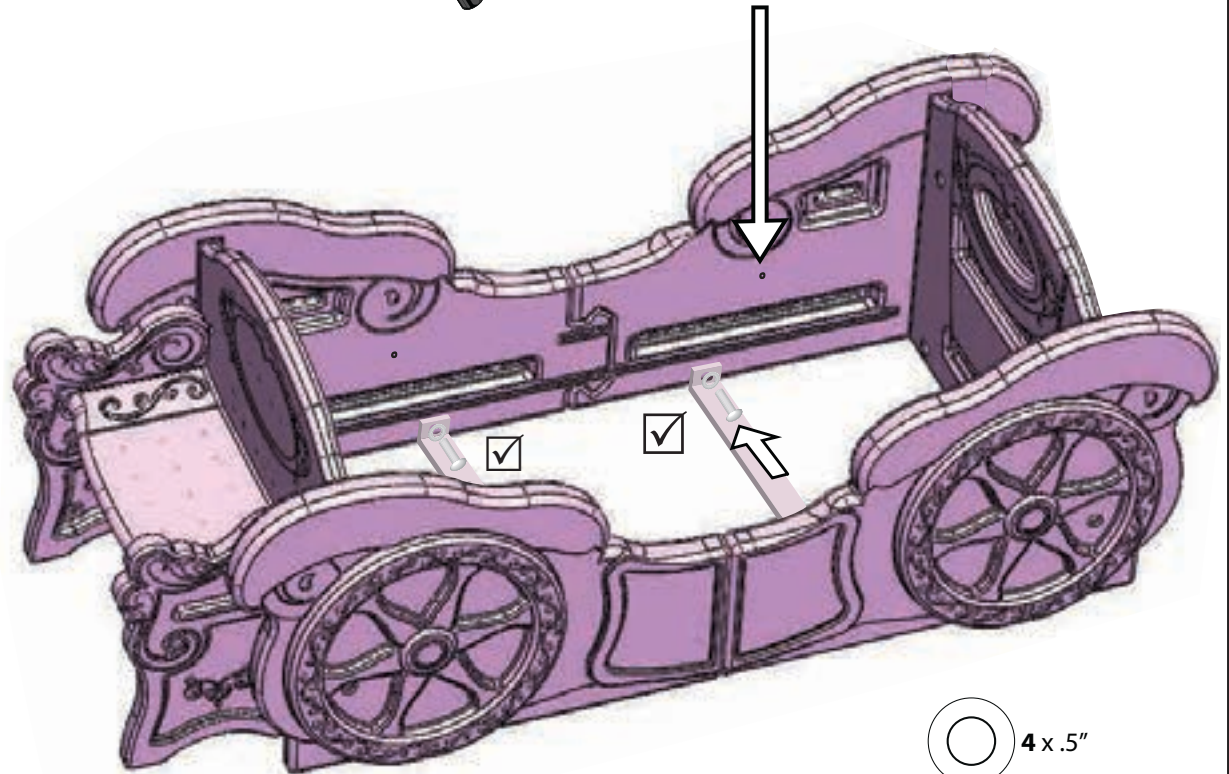
3H



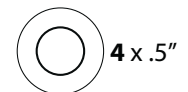
PLEASE NOTE:

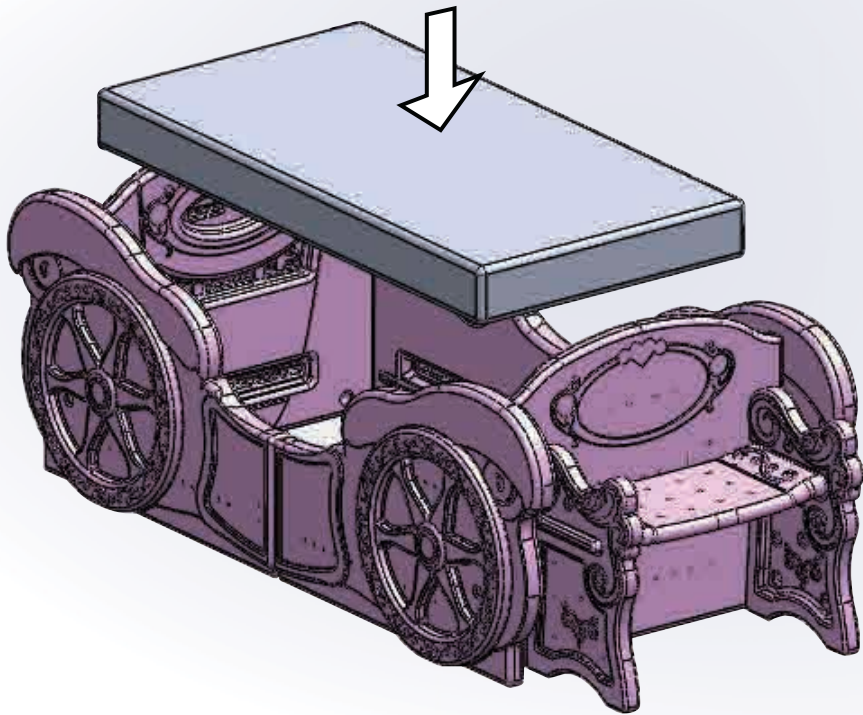
Straps are only to keep bed sides taut. They are NOT a mattress support.

This is NOT a screwhole. Do not use.

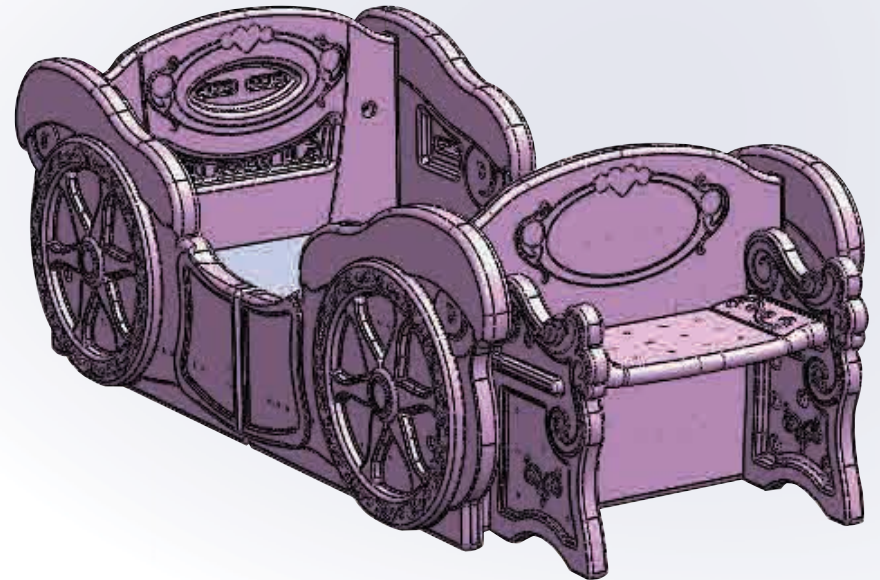


- Align screwtab openings on straps to screwholes in sides
- Use screws and washers to securely attach straps to both sides





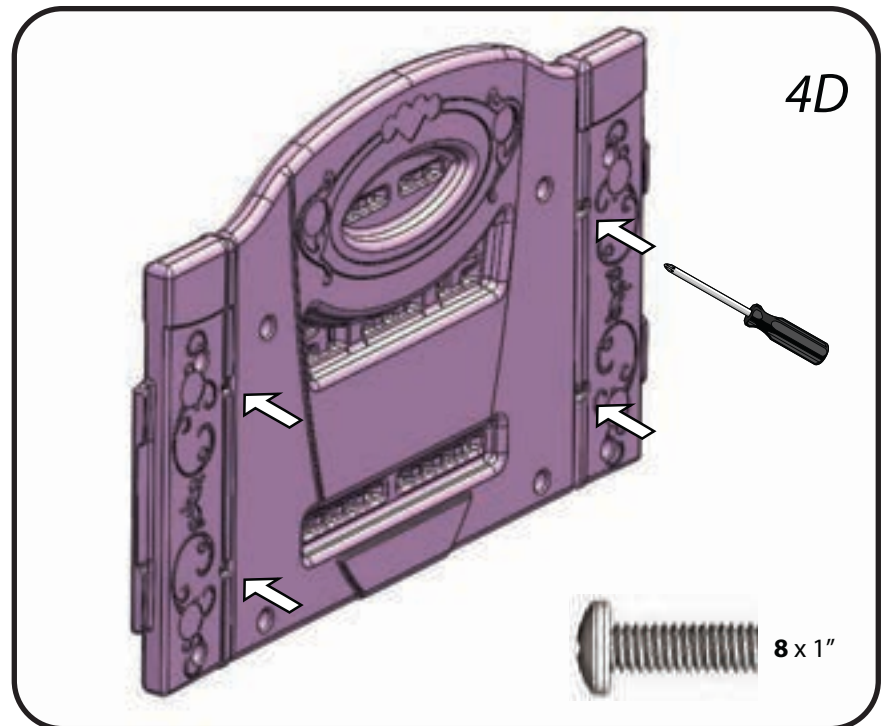
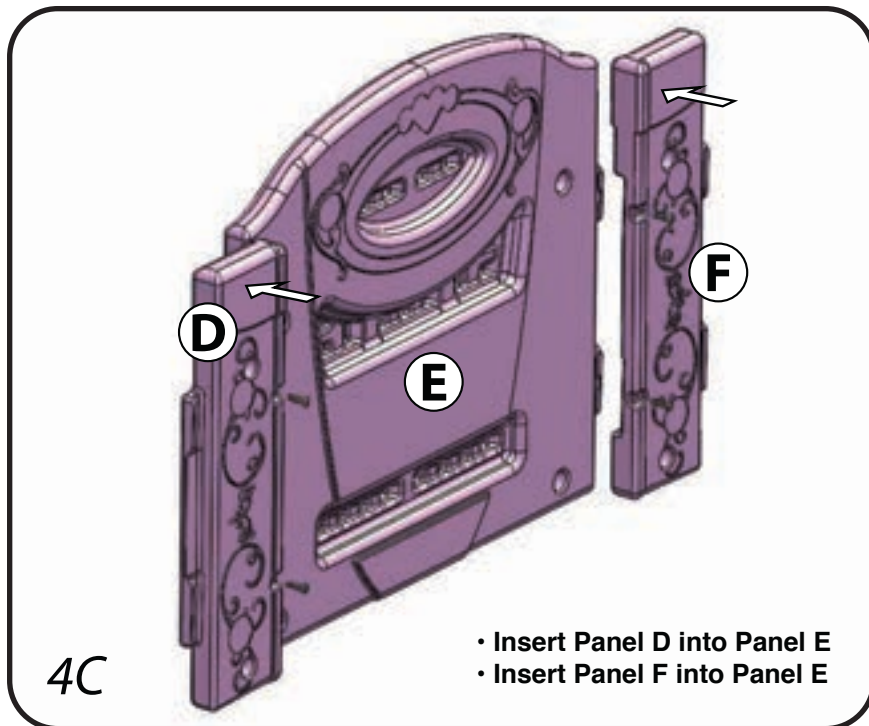
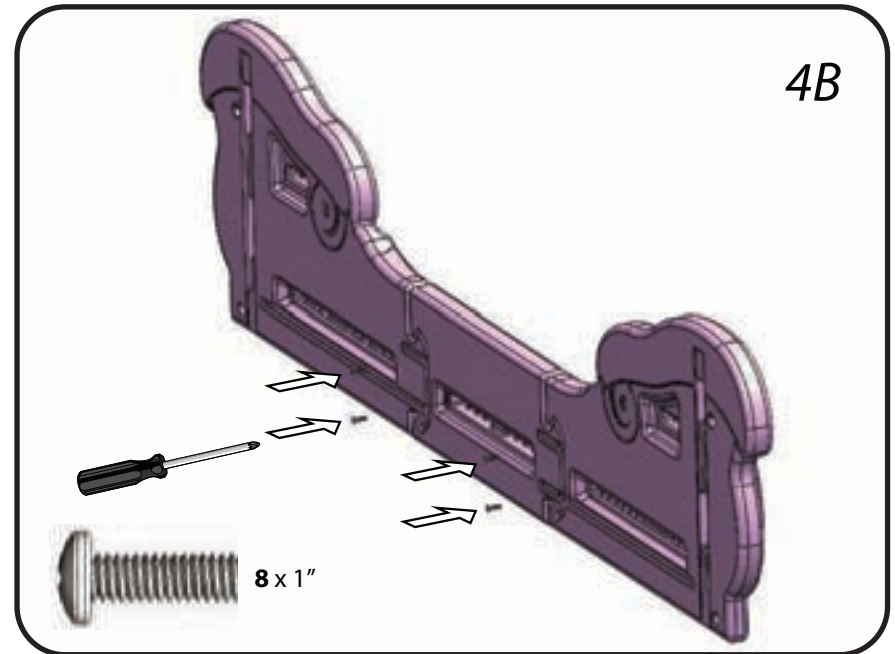
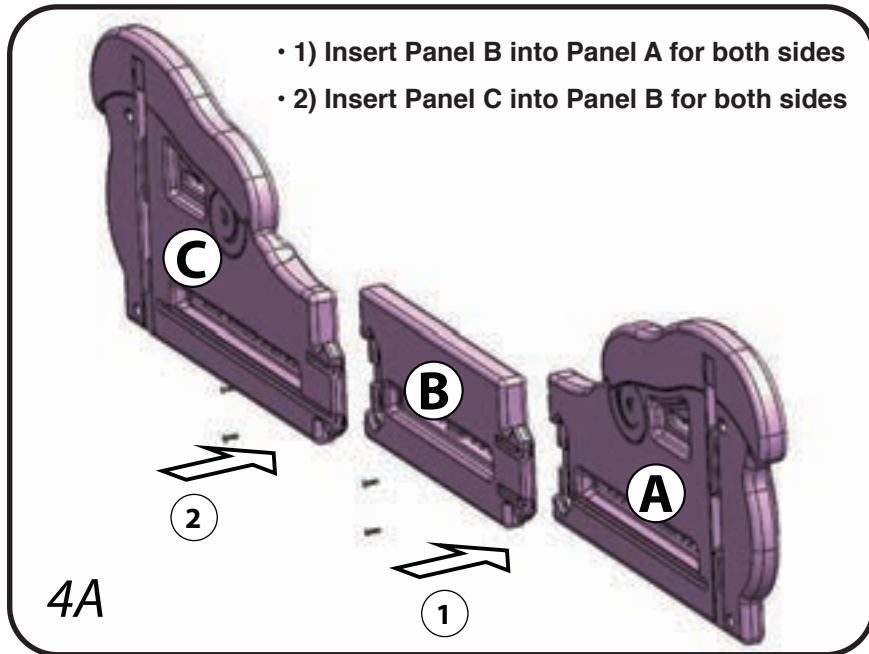
3I



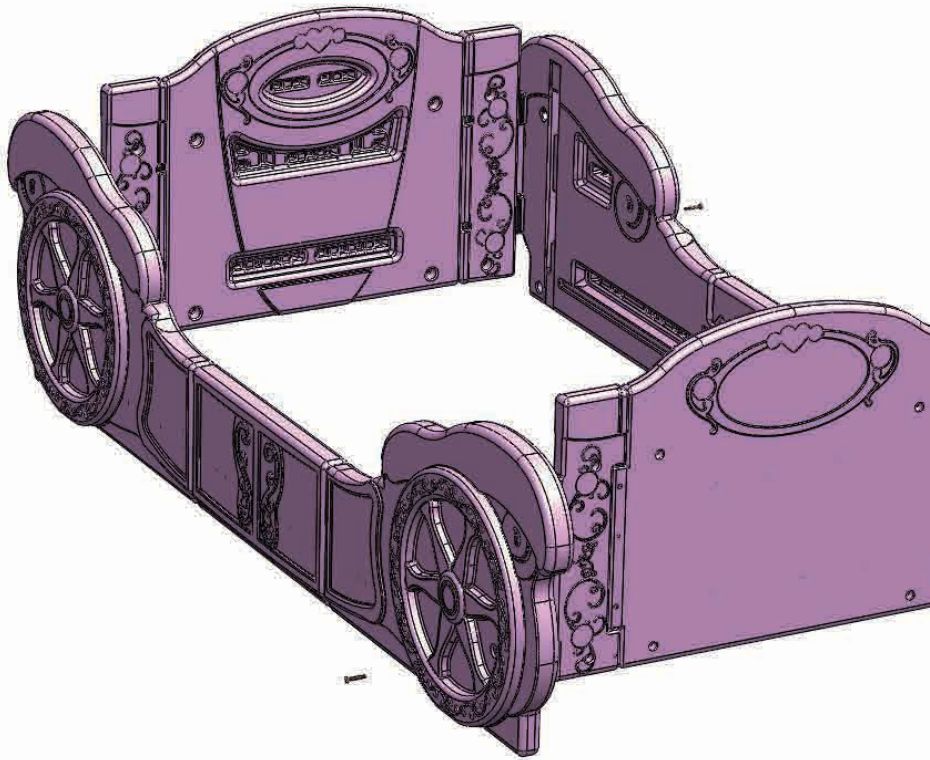
3J

Skip to Section 6 for Fabric Bin setup

4 Twin Bed Assembly

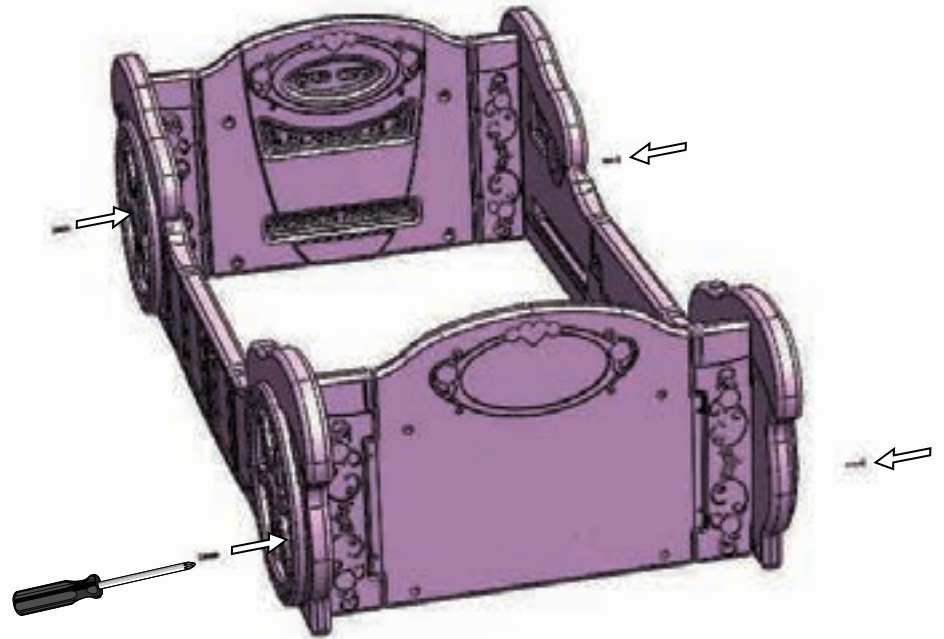


4E

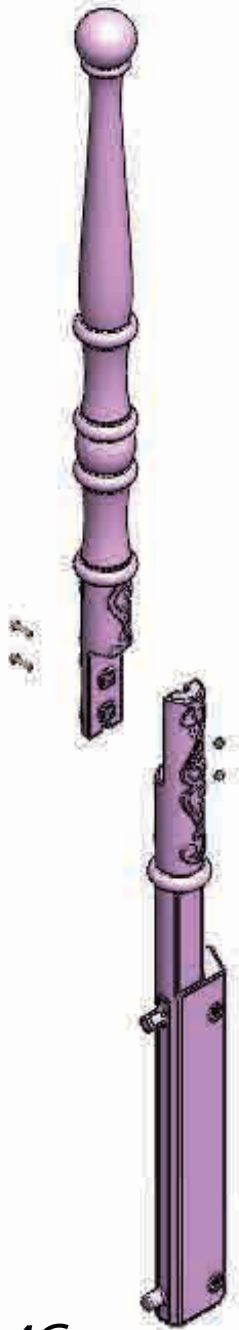


- Insert Panel F latch hooks into side Panel C grooves for both sides
- Insert Panel D latch hooks into side Panel A grooves for both sides

4F

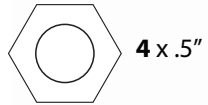
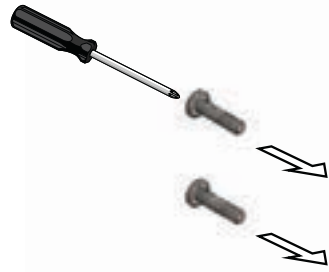


• Align pole top
with pole base

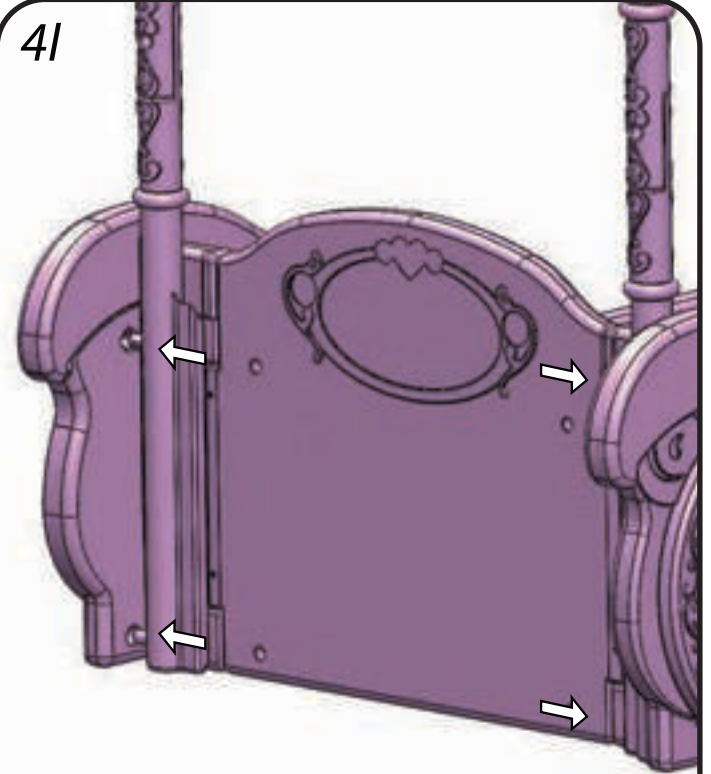


4G

4H

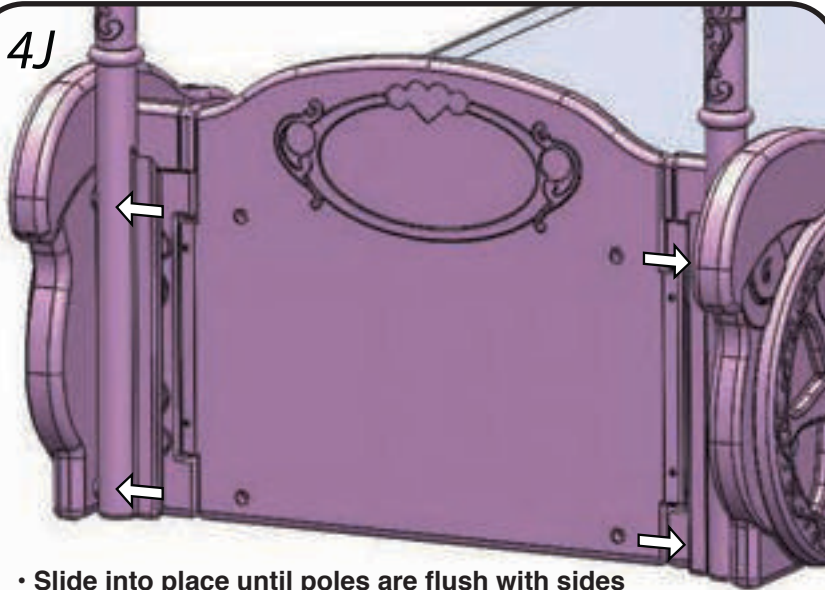


4I



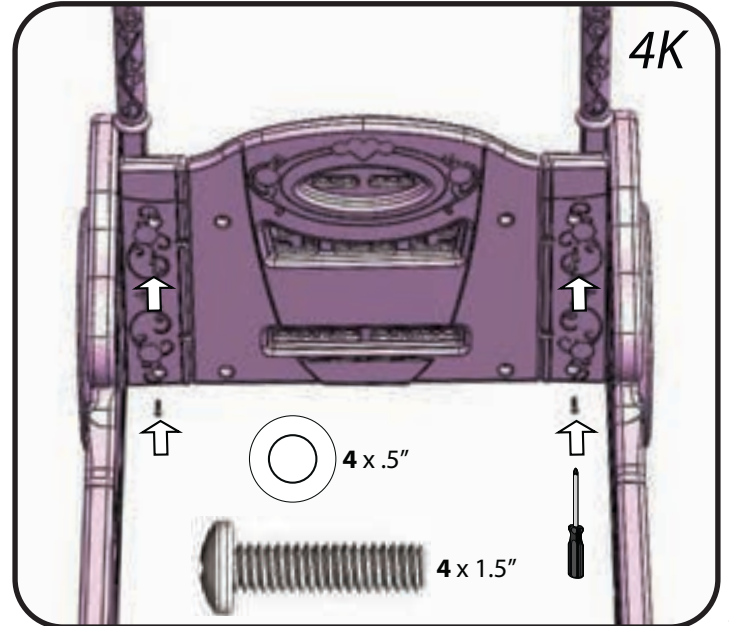
• Align pole base with slots in side panels

4J

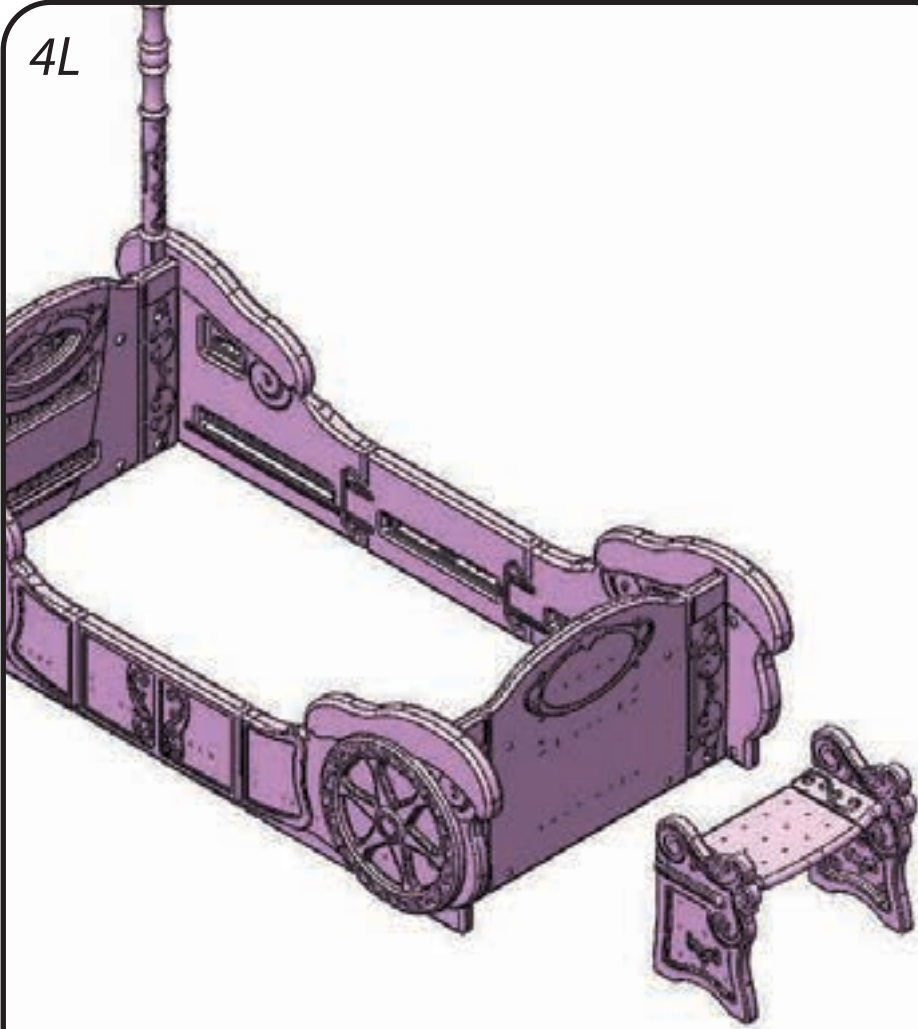


• Slide into place until poles are flush with sides

4K

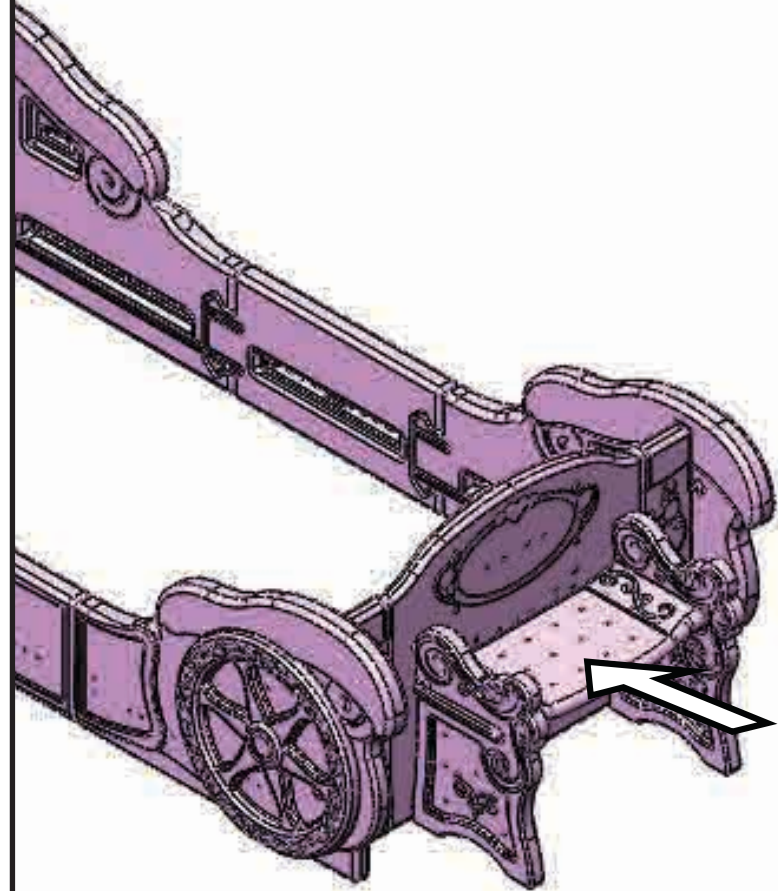


4L

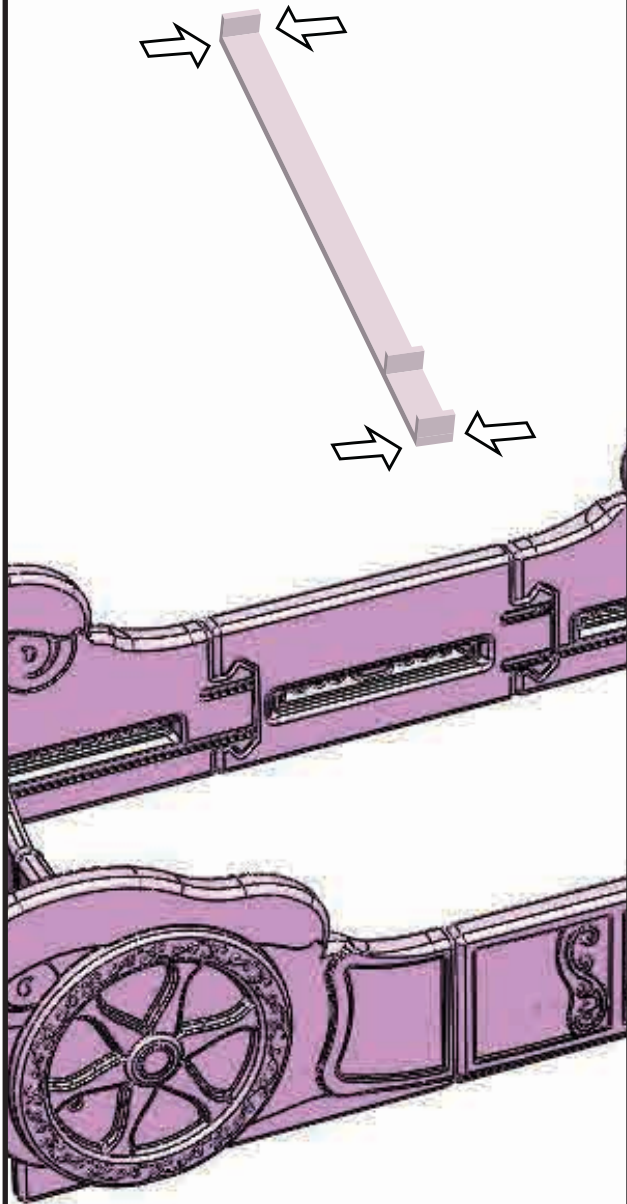


• Align bench to footboard (Panel E)

4M



4N

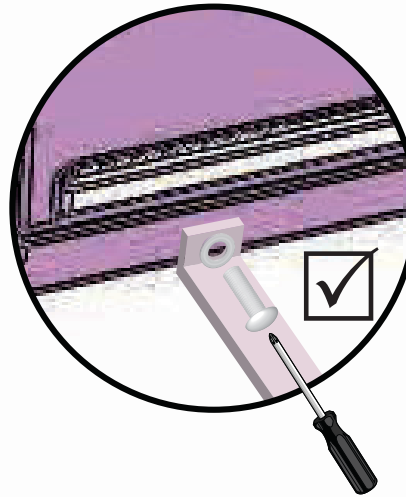


• Use these screw tabs for twin bed setup

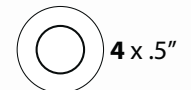
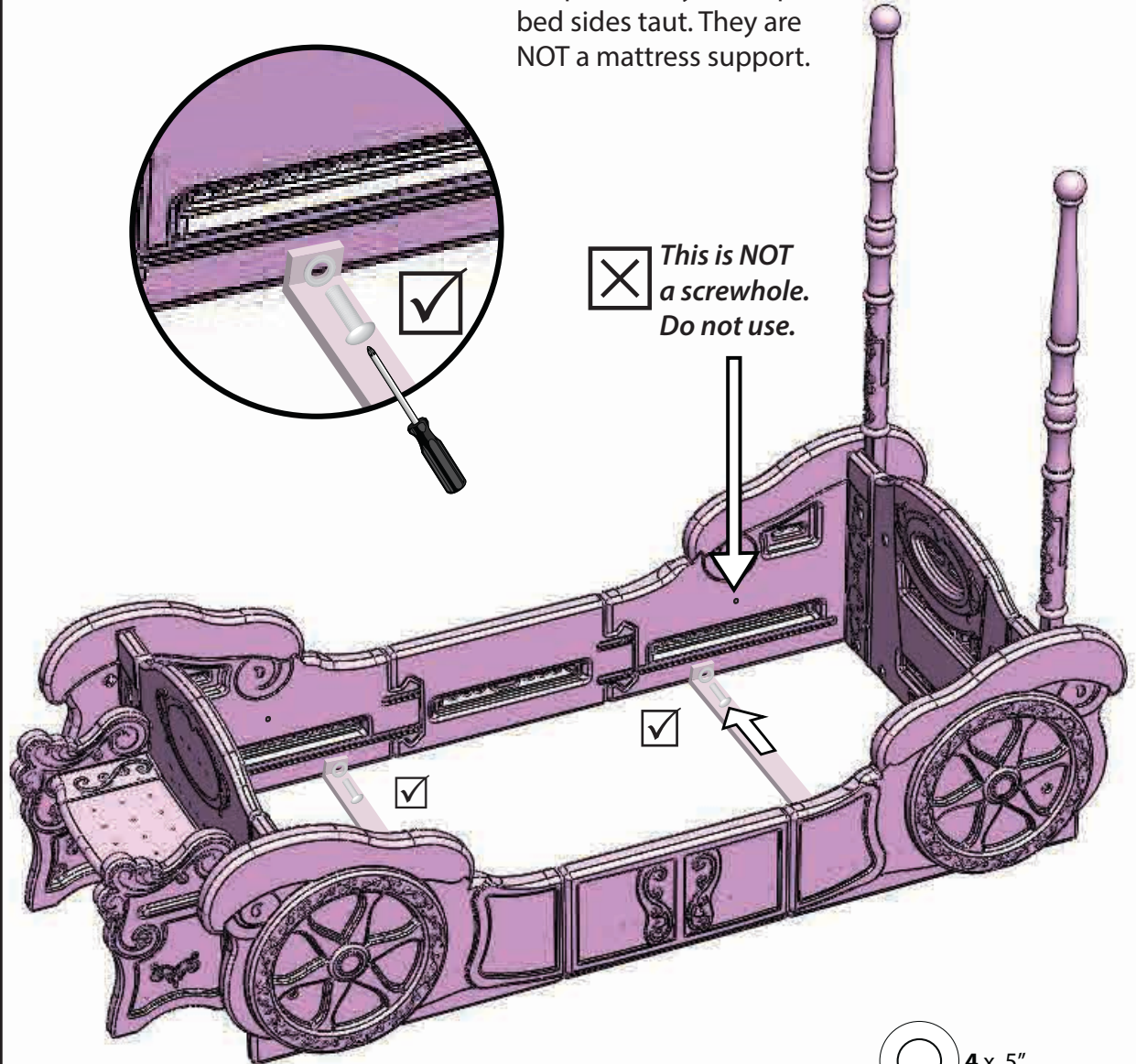
4O

PLEASE NOTE:

Straps are only to keep bed sides taut. They are NOT a mattress support.

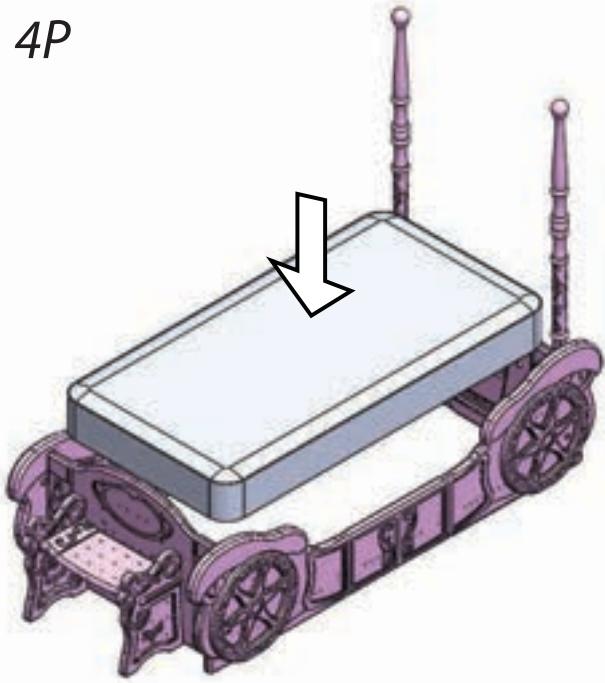


This is NOT a screwhole. Do not use.

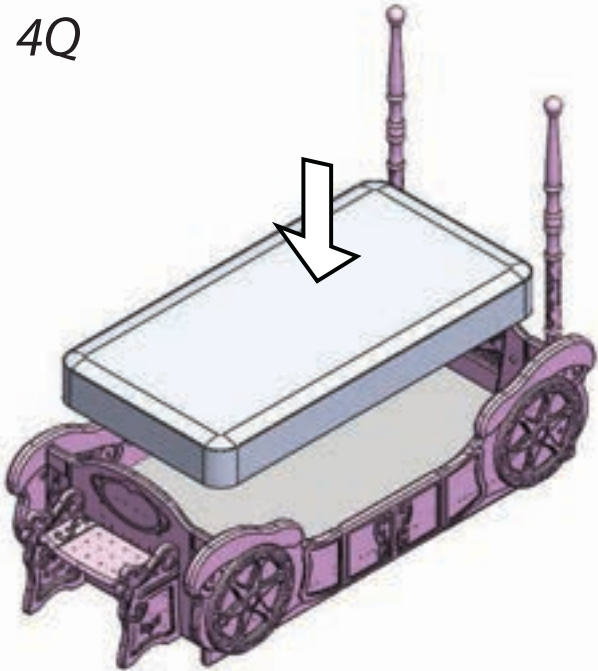


- Align screwtab openings on straps to screwholes in sides
- Use screws and washers to securely attach straps to both sides

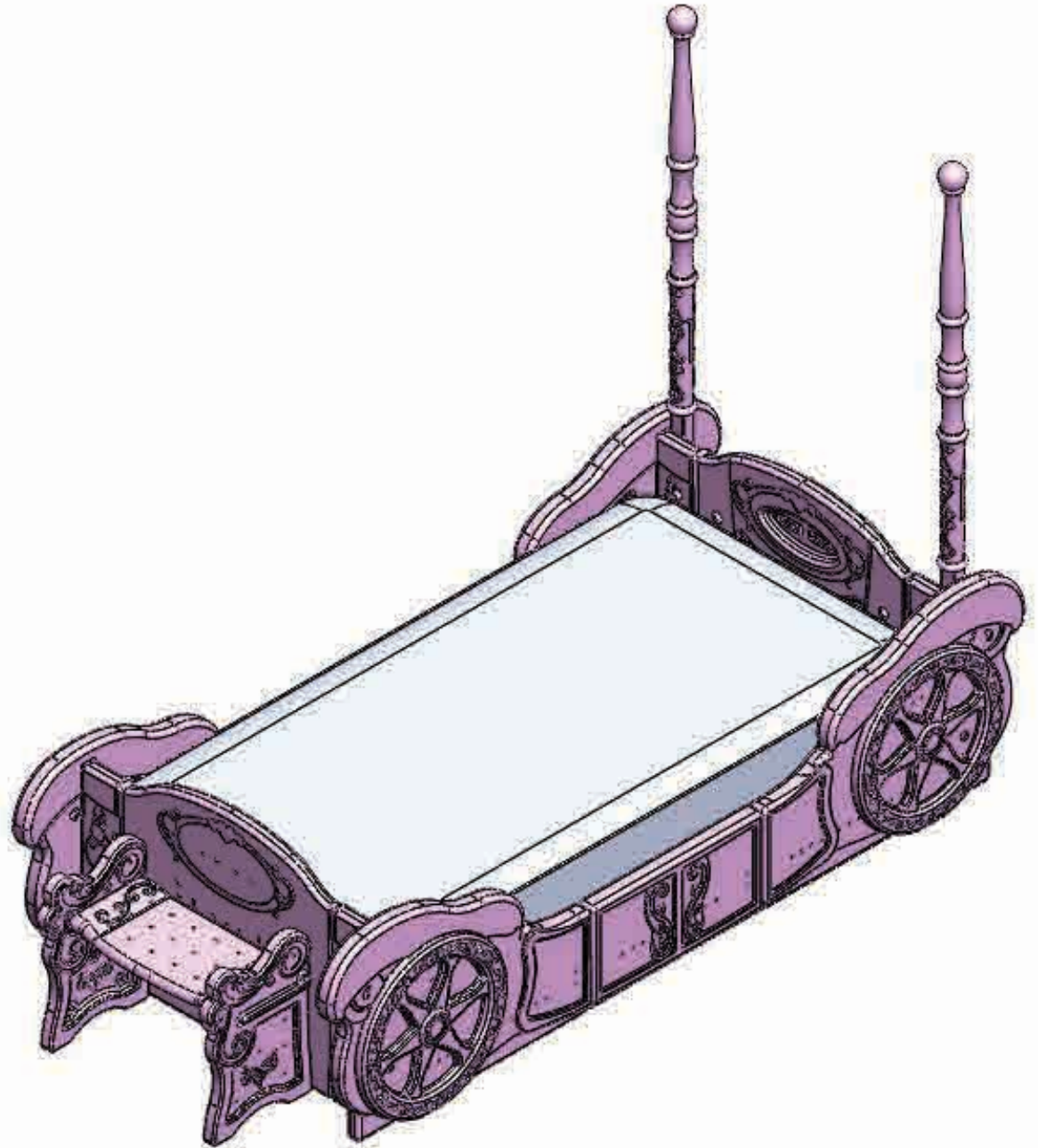
4P



4Q

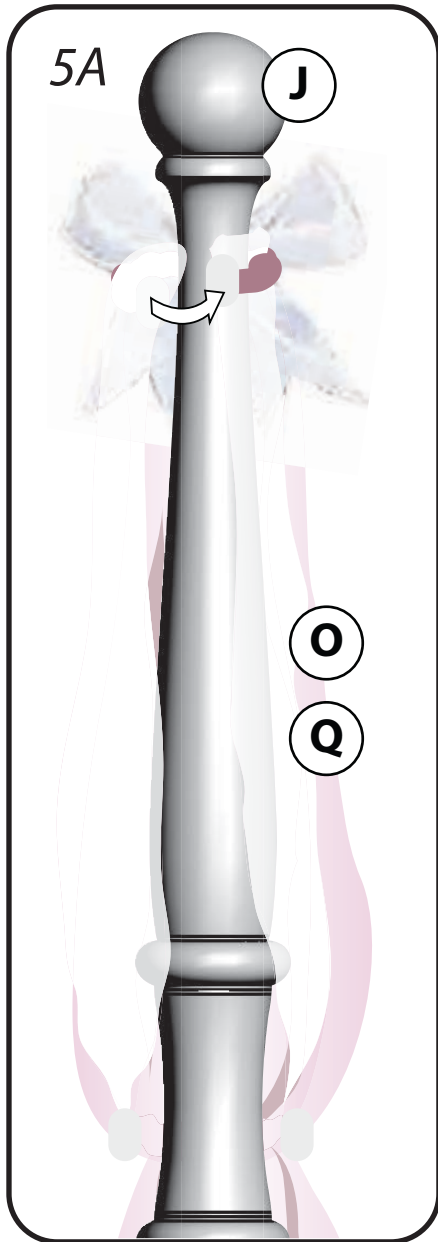


4R



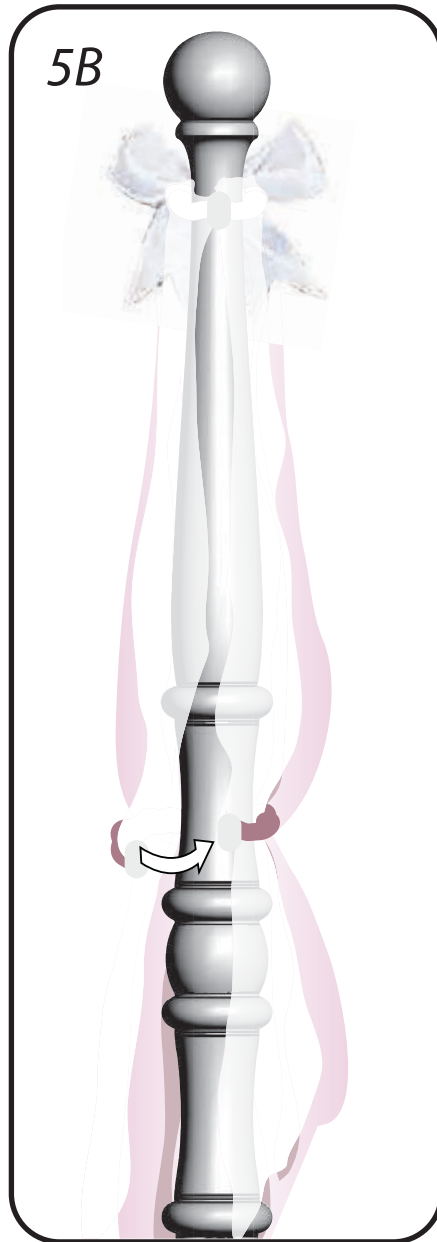
Go to Section 5 to attach canopy draping

5 Canopy Draping

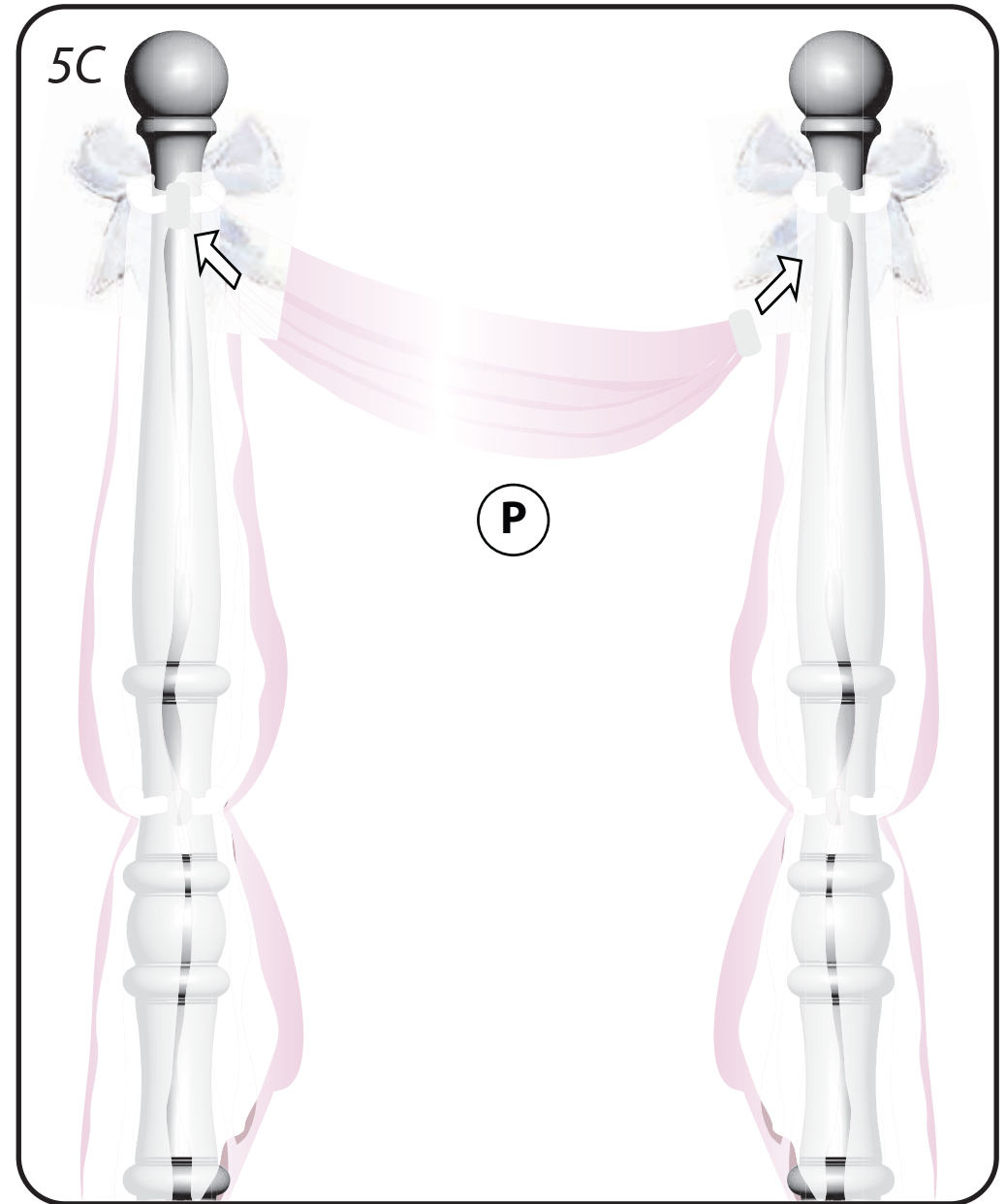


• Attach top of Drape O to top of (1st) Pole J with velcro close

• Repeat both steps to attach Drape R to (2nd) Pole J.



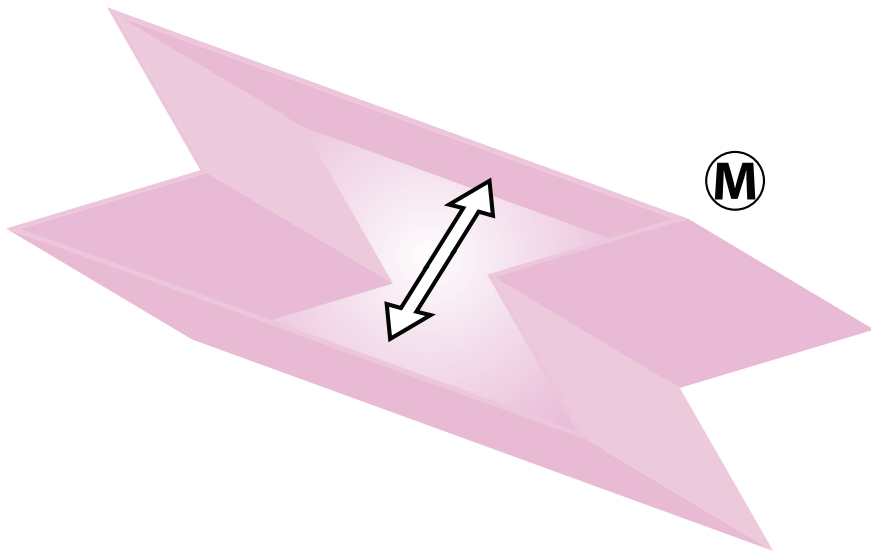
• Attach middle of Drape O to top of (1st) Pole J with velcro close



• Attach to Drape O with velcro close.
• Then attach to Drape P with velcro close.
• Fluff fabric on Drapes O and Q to adjust fall of fabric to finish.

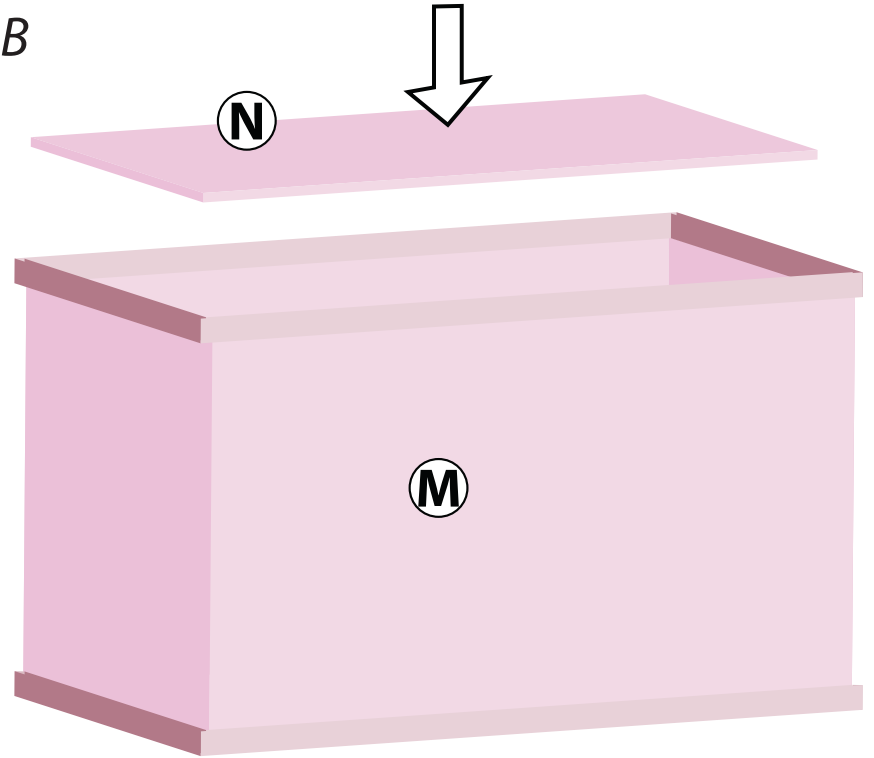
6 Fabric Storage Bin

6A

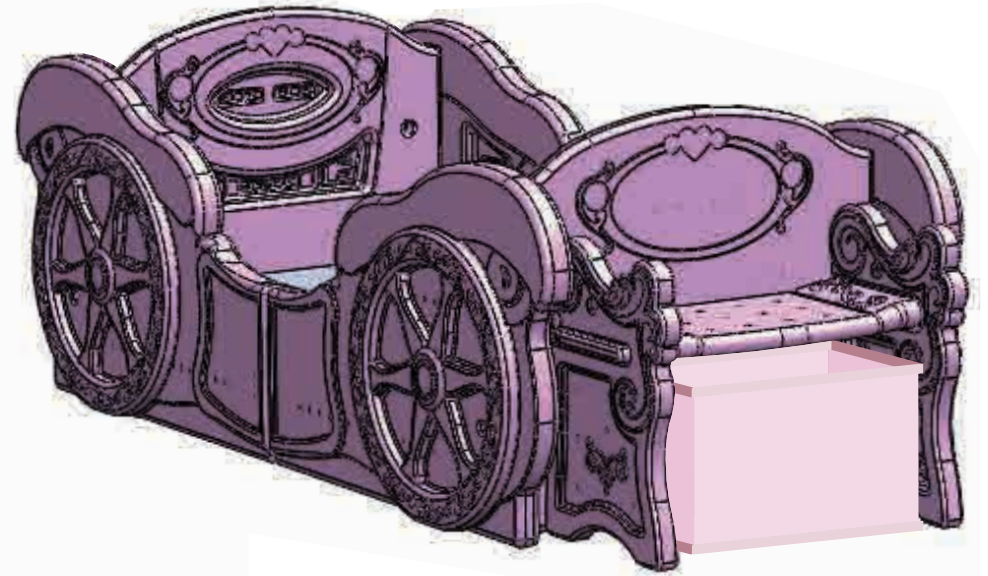
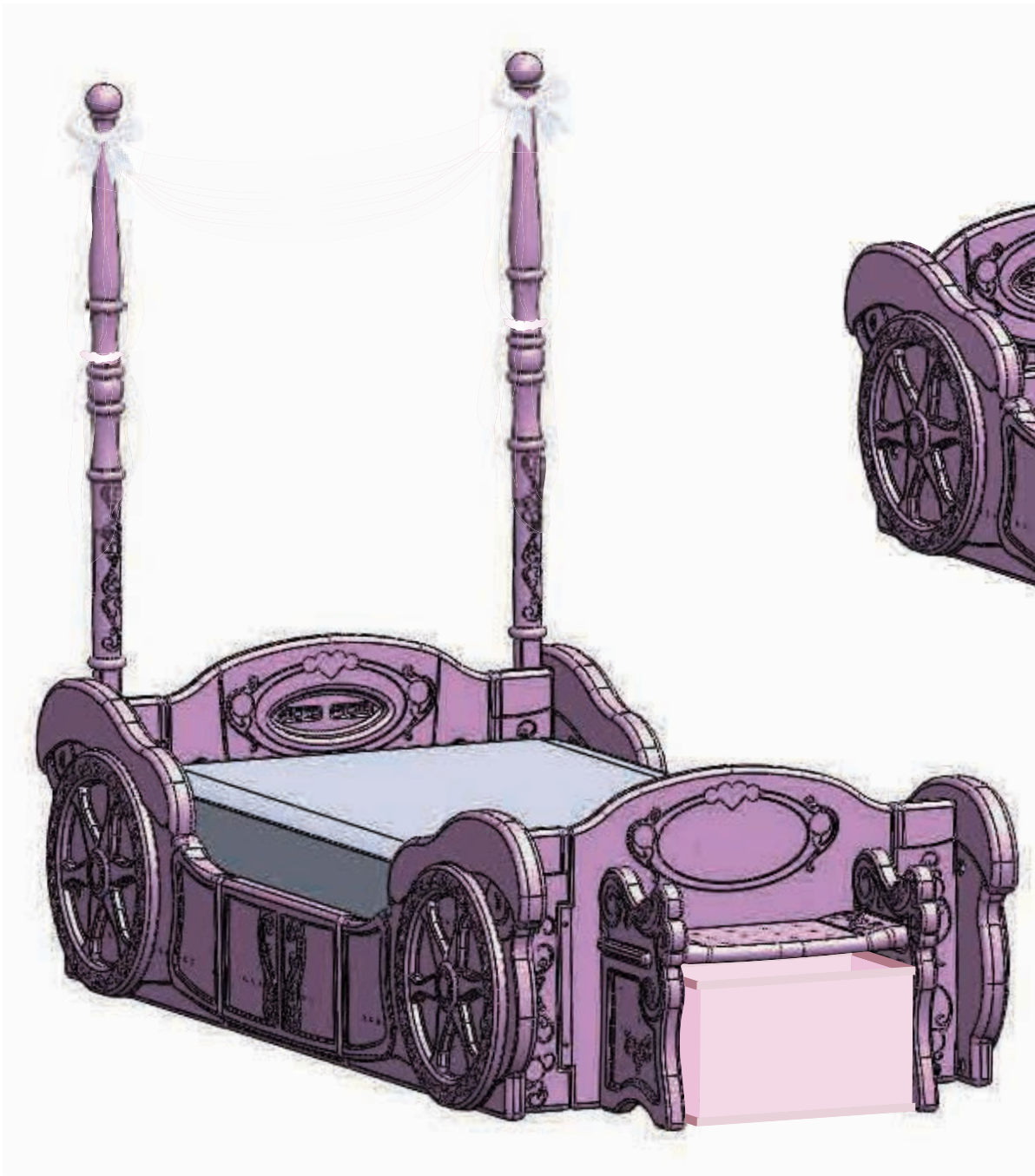


• Fully expand Fabric Bin

6B



• Insert Bin Base (N) to stabilize.



TODDLER BED WARNING

⚠️WARNING

INFANTS HAVE DIED IN TODDLER BEDS FROM ENTRAPMENT.

Openings in and between bed parts can entrap head and neck of a small child.
NEVER use bed with children younger than 15 months.
ALWAYS follow assembly instructions.
The maximum user weight is 50lbs (22.7kg)

⚠️WARNING

STRANGULATION HAZARD

NEVER place bed near windows where cords from blinds or drapes may strangle a child.
NEVER suspend strings over a bed.
NEVER place items with a string, cord, or ribbon, such as hood strings or pacifier cords, around a child's neck. These items may catch on bed parts.

⚠️CAUTION

ENTRAPMENT HAZARD

To avoid dangerous gaps, any mattress used in this bed shall be a full-size crib mattress at least 51 5/8 in. (1310mm) in length, 27 1/4 in. (690mm) in width, and a max thickness of 6 in. (152mm).
DO NOT use this bed without a mattress.

- Failure to follow these warnings and the assembly instructions could result in serious injury or death.
- The user's maximum weight shall not be greater than 50 LB (22.7 kg).
- **DO NOT** use for infants. This toddler bed is intended for a child between 15 months and 5 years of age.
- **DO NOT** use a water mattress with this toddler bed.
- Toddler bed must have more than 12 inches of space between the toddler bed and solid objects such as a wall or dresser. Child could slide into small spaces and suffocate.

ASSEMBLY

- **IMPORTANT!** Before assembly, inspect toddler bed for damaged hardware, loose joints, missing pieces or sharp edges.
- **DO NOT** use bed if any parts are missing or damaged.
- **DO NOT** substitute parts.
- If you are without an instruction sheet, **DO NOT** use this product. Call (212) 645-9033 or fax (212) 645-9032.

TWIN BED WARNING

⚠️WARNING

Never use in the twin bed configuration with children younger than 2 years old.
Infants who cannot get in and out of a twin bed without help can be trapped in gaps formed between the mattress and the wall or parts of the bed and suffocate.

ASSEMBLY

- **IMPORTANT!** Before assembly, inspect twin bed for damaged hardware, loose joints, missing pieces or sharp edges.
- **DO NOT** use bed if any parts are missing or damaged.
- **DO NOT** substitute parts.
- If you are without an instruction sheet, **DO NOT** use this product. Call (212) 645-9033 or fax (212) 645-9032.

DELTA CHILDREN'S PRODUCTS
114 WEST 26TH STREET
NEW YORK, N.Y. 10001 U.S.A.
PHONE: (212) 645-9033

MANUFACTURED AND DISTRIBUTED BY
DELTA CHILDREN'S PRODUCTS
NEW YORK, NY 10001

MADE IN U.S.A

© Disney
Visit www.disneyprincess.com

Care And Maintenance

To clean bed frame, use only household soap or detergent and warm water. **NO BLEACH.**