

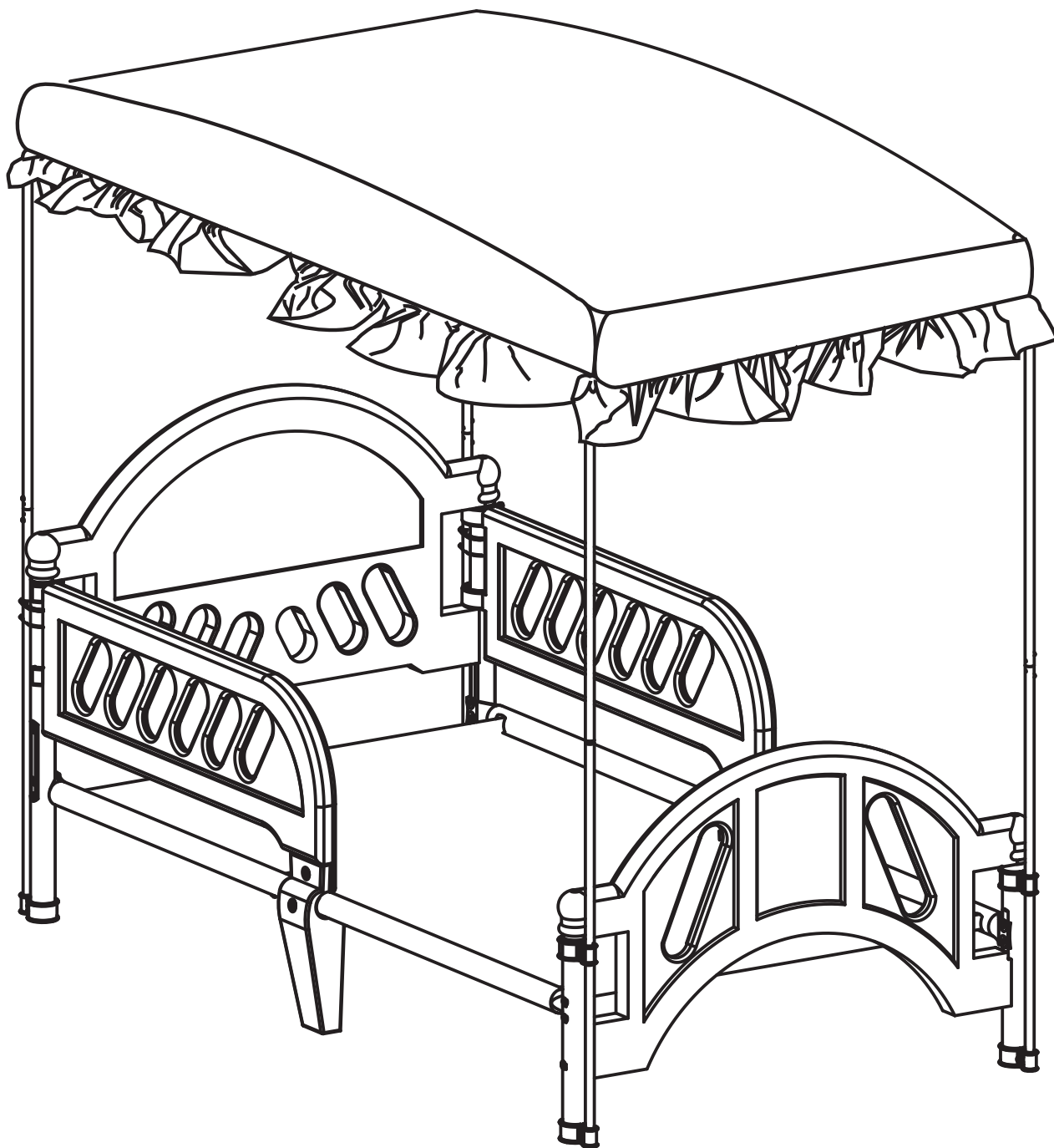
TODDLER BED/Canopy

ASSEMBLY INSTRUCTIONS

DeltaTM

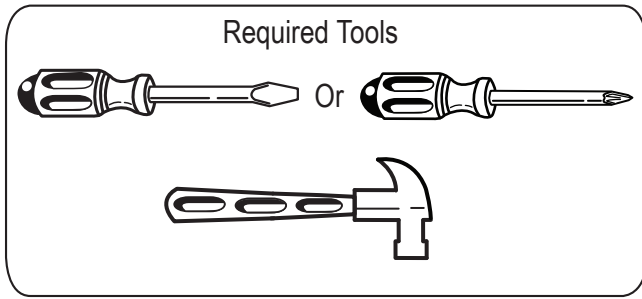
Children's Products

ADULT ASSEMBLY REQUIRED

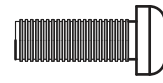


Canopy Parts

IMPORTANT! Please remove all parts from the package and identify them before assembly.



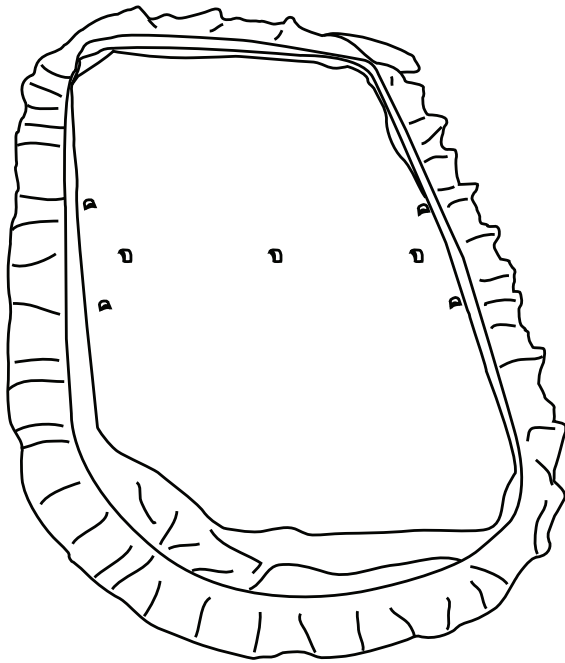
(T) Nut x8



(U) Bolt x8



(X) 3 Way Plug x4
(2 Left 2 Right)

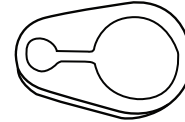


(Y) Canopy x1

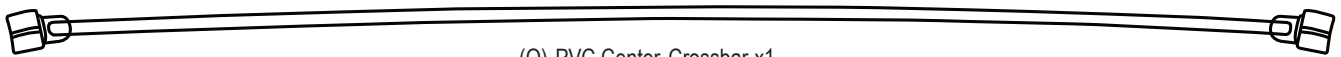


WARNING

This package contains small parts.
Keep away from children during assembly.
Adult assembly required.



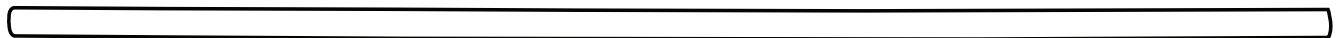
(N) Bottom Leg Mount x4



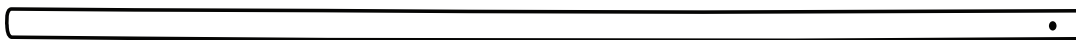
(O) PVC Center Crossbar x1



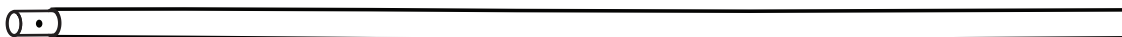
(P) PVC Side Support Bars x4



(Q) Metal Crossbars x2

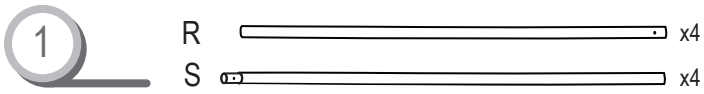
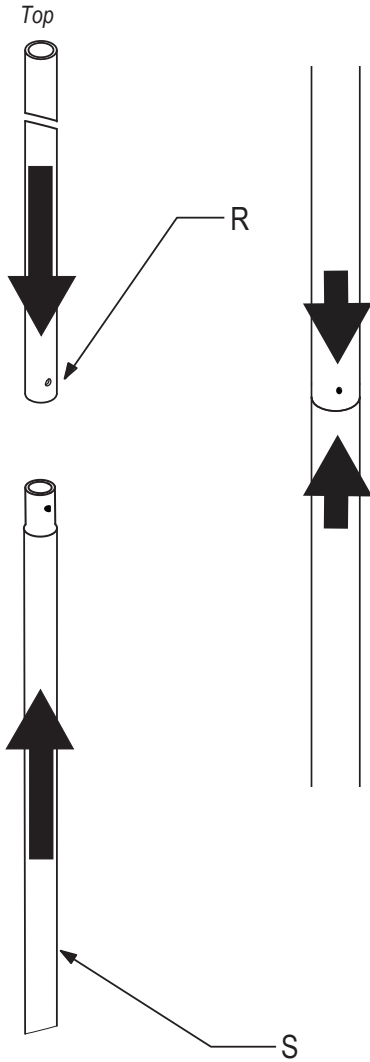


(R) Upper Metal Uprights x4



(S) Lower Metal Uprights x4

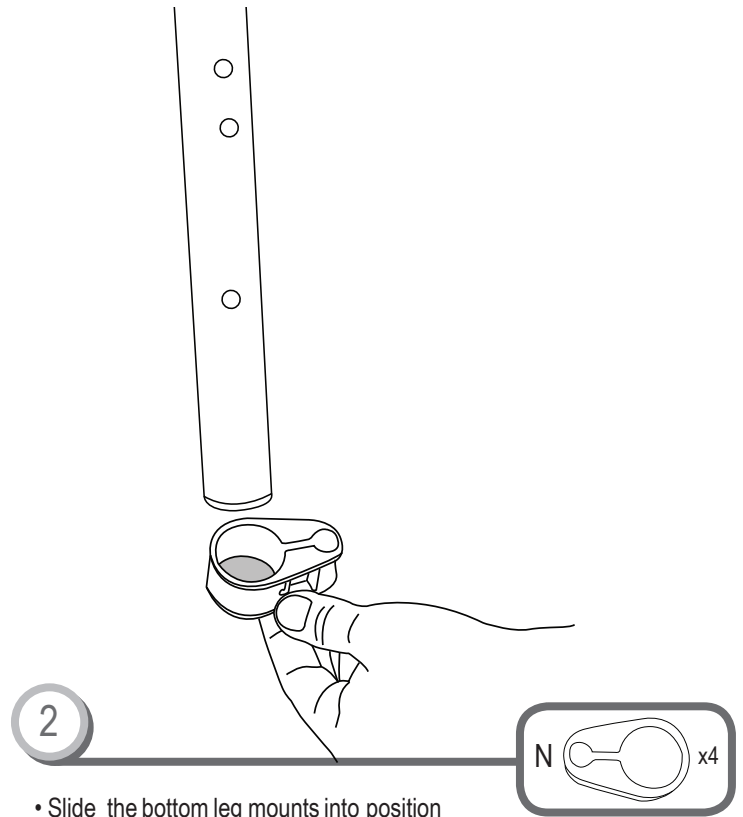
Canopy Assembly



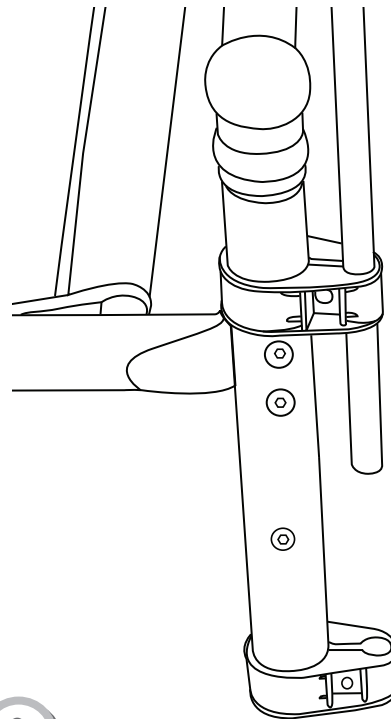
- Connect upper and lower upright poles using the 4 connectors.

NOTE:

- May need gentle tapping with a hammer to connect upper and lower upright poles.
- **IMPORTANT** that hole on upright pole is at the end position.



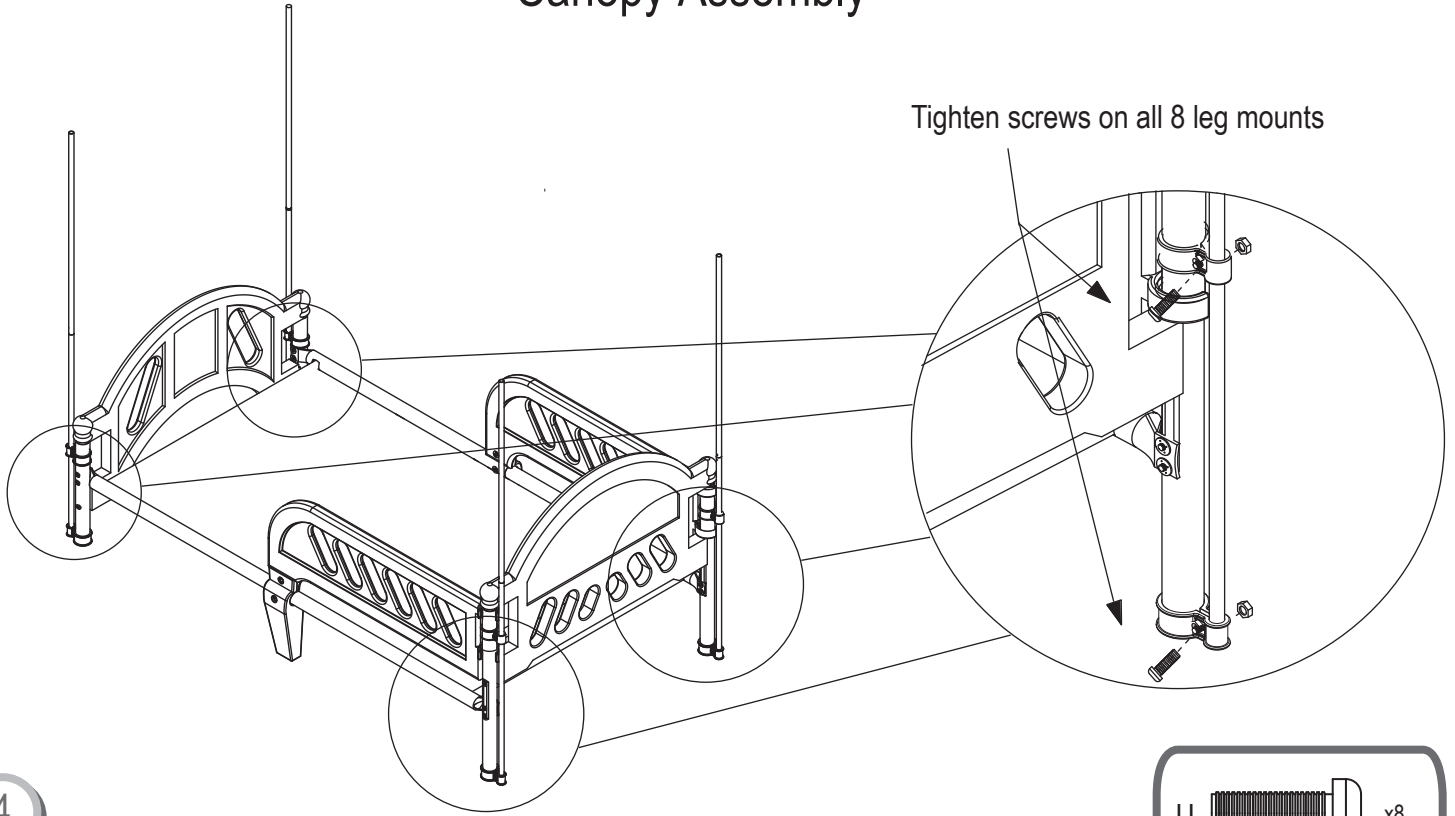
- Slide the bottom leg mounts into position onto 4 bed legs.
- Closed end down.



- Insert uprights through attached leg mounts on both the headboard and footboard.
- Seat securely in lower leg mounts.

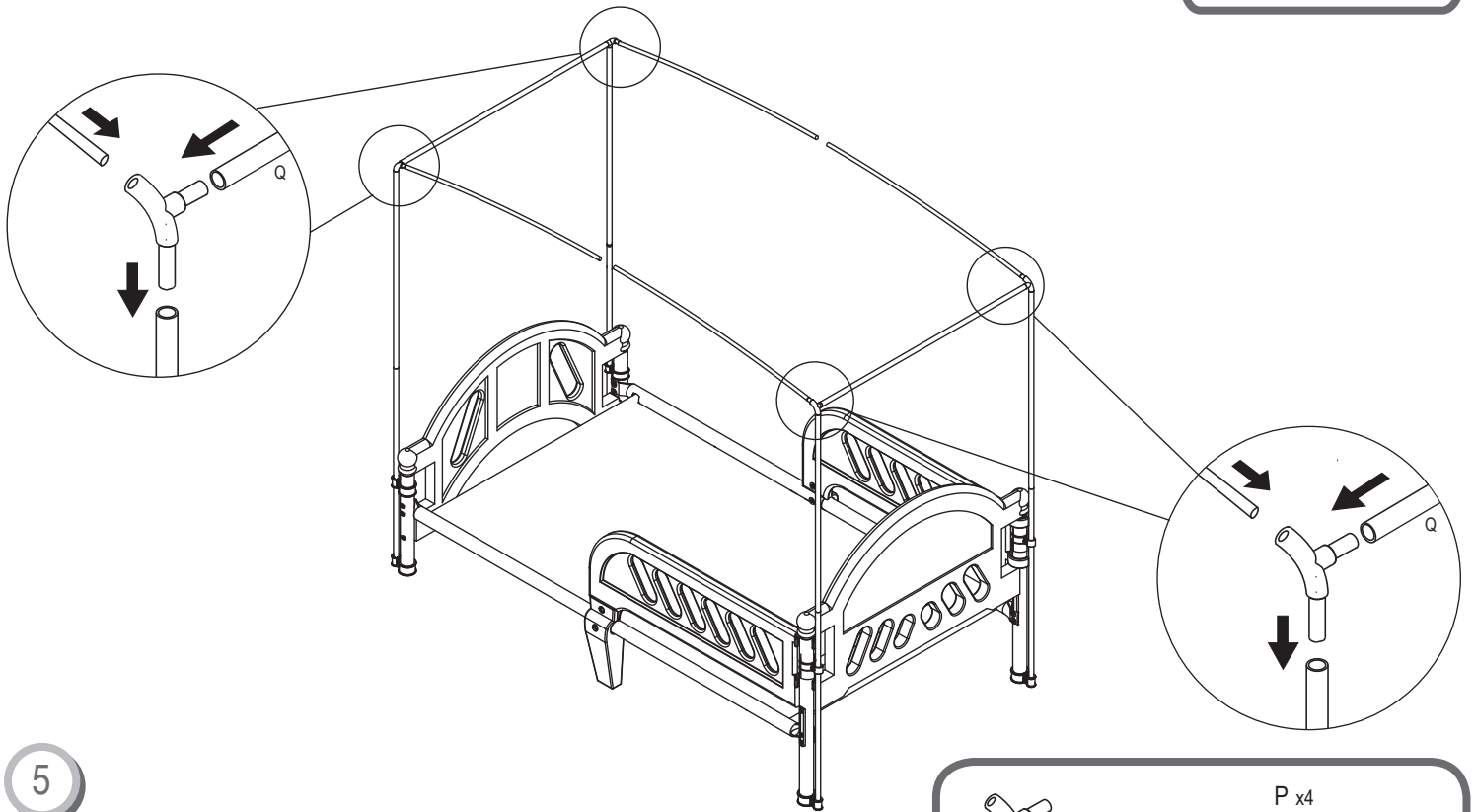
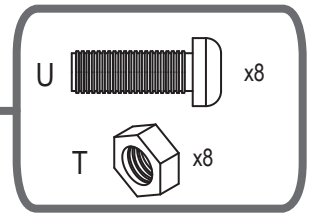
Canopy Assembly

Tighten screws on all 8 leg mounts



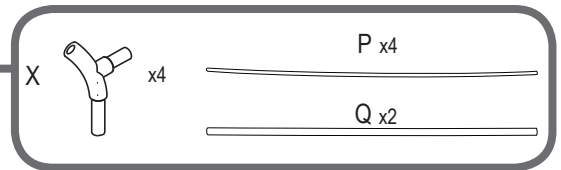
4

- Tighten all screws on all leg mounts to secure legs to canopy uprights.



5

- Insert all of the 3 way plastic plugs on top of the 4 corner upright poles. Be sure pins on plugs snap into holes on upright poles.
- Install 2 metal crossbars (Q) to the 3 way plugs on each end.
- Install plastic side support bars (P) to the 3 way plugs.

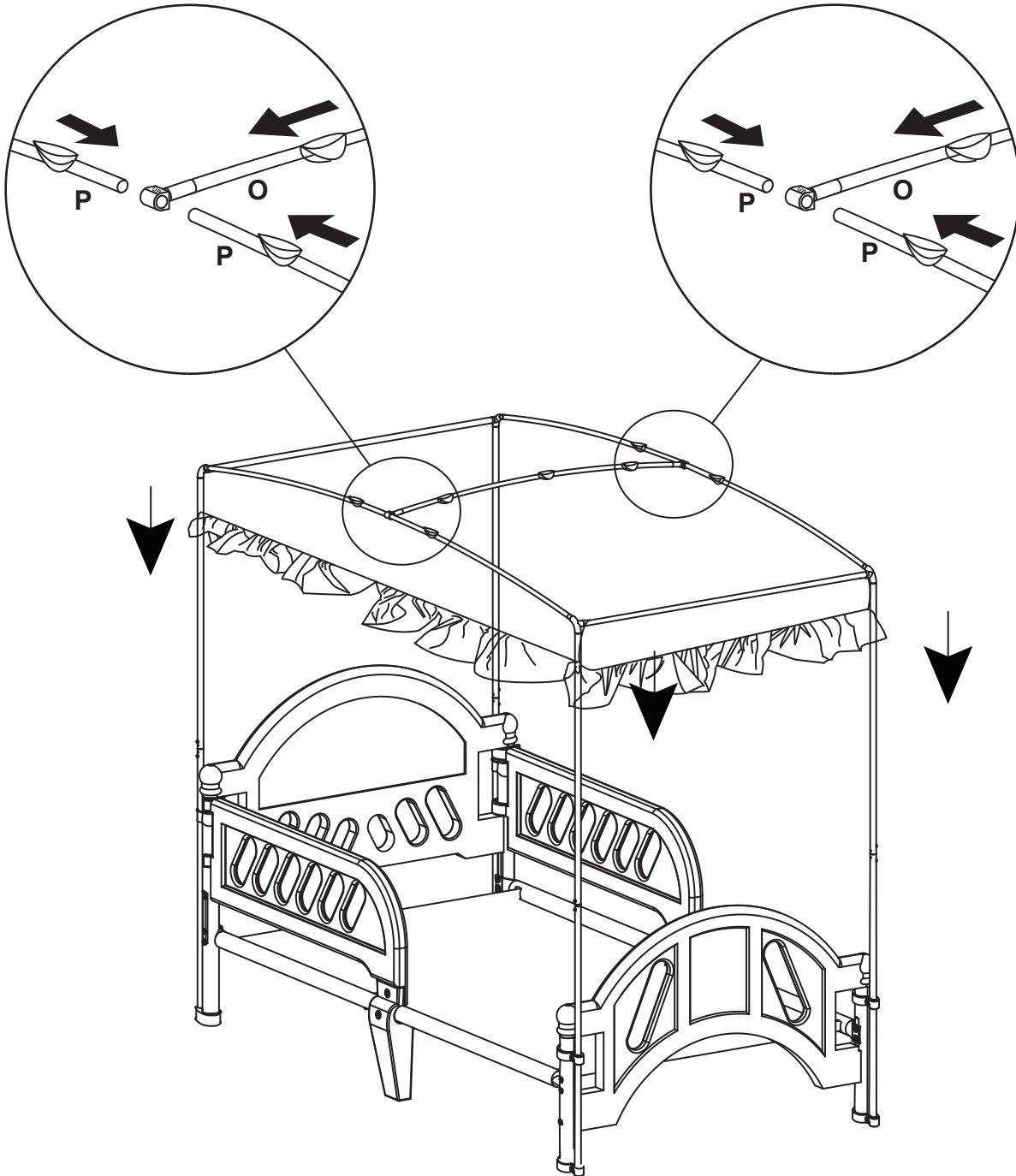


Canopy Assembly

6

Insert side and center bars through loops on canopy

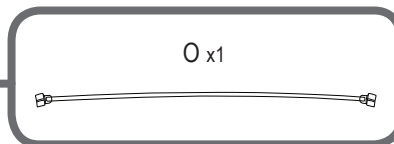
- Insert each plastic side support bar through the loop stitched on each side of underside of canopy.
- After all 4 side support bars are inserted through the 4 loops, then insert center crossbar (O) through the 3 loops at middle of underside of canopy.



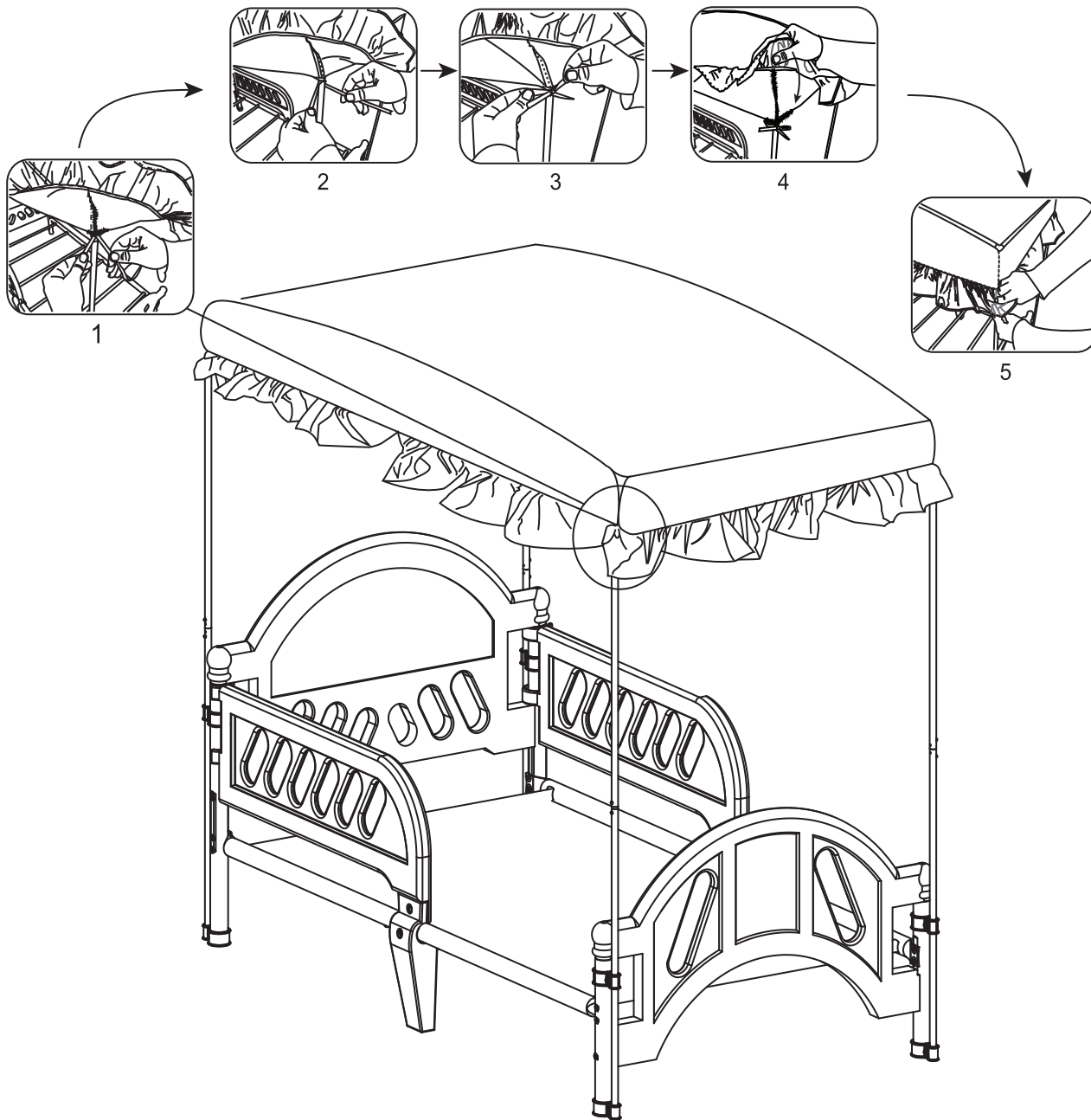
7

Install center crossbar

- Connect center crossbar to plastic side support bars using the T-connector at both ends of center crossbar.



Canopy Assembly



8 Tie down canopy

- Tie down canopy to the 4 corners of the frame.
- Recheck all connections.

**ENJOY YOUR NEW
DELTA CANOPY BED!**



Delta[™]
Children's Products

Customer Service

Tel. (212) 645-9033

www.DeltaChildrensProducts.com