



CARS TWIN BED W/ LIGHTS

BB86655CR Twin Bed



⚠ WARNING:

THIS ITEM REQUIRES ASSEMBLY BY AN ADULT BECAUSE OF SMALL PARTS. CARE SHOULD BE TAKEN IN UNPACKING AND ASSEMBLY OF THIS PRODUCT. NEVER USE THE TWIN BED CONFIGURATION WITH CHILDREN YOUNGER THAN 2 YEARS OLD. INFANTS WHO CANNOT GET IN AND OUT OF A TWIN BED WITHOUT HELP CAN BE TRAPPED IN GAPS FORMED BETWEEN THE MATTRESS AND THE WALL OR PARTS OF THE BED AND SUFFOCATE.

PHILLIPS SCREWDRIVER REQUIRED
Colors and styles may vary slightly.
Accessories not included.
Bedding and mattress not included

Do not mix old and new batteries.
Do not mix alkaline, standard (carbon-zinc), or
rechargeable (nickel-cadmium) batteries.



Twin Bed Parts



Right Side Panel



Left Side Panel



Front Bumper



Back Panel



Spoiler



Tires



Headlights

TO FULLY ASSEMBLE THE TWIN BED
YOU WILL NEED



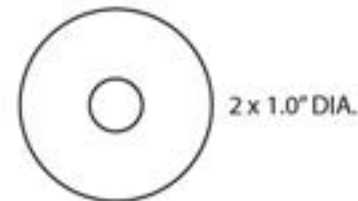
3/4" Length



3/4" Length

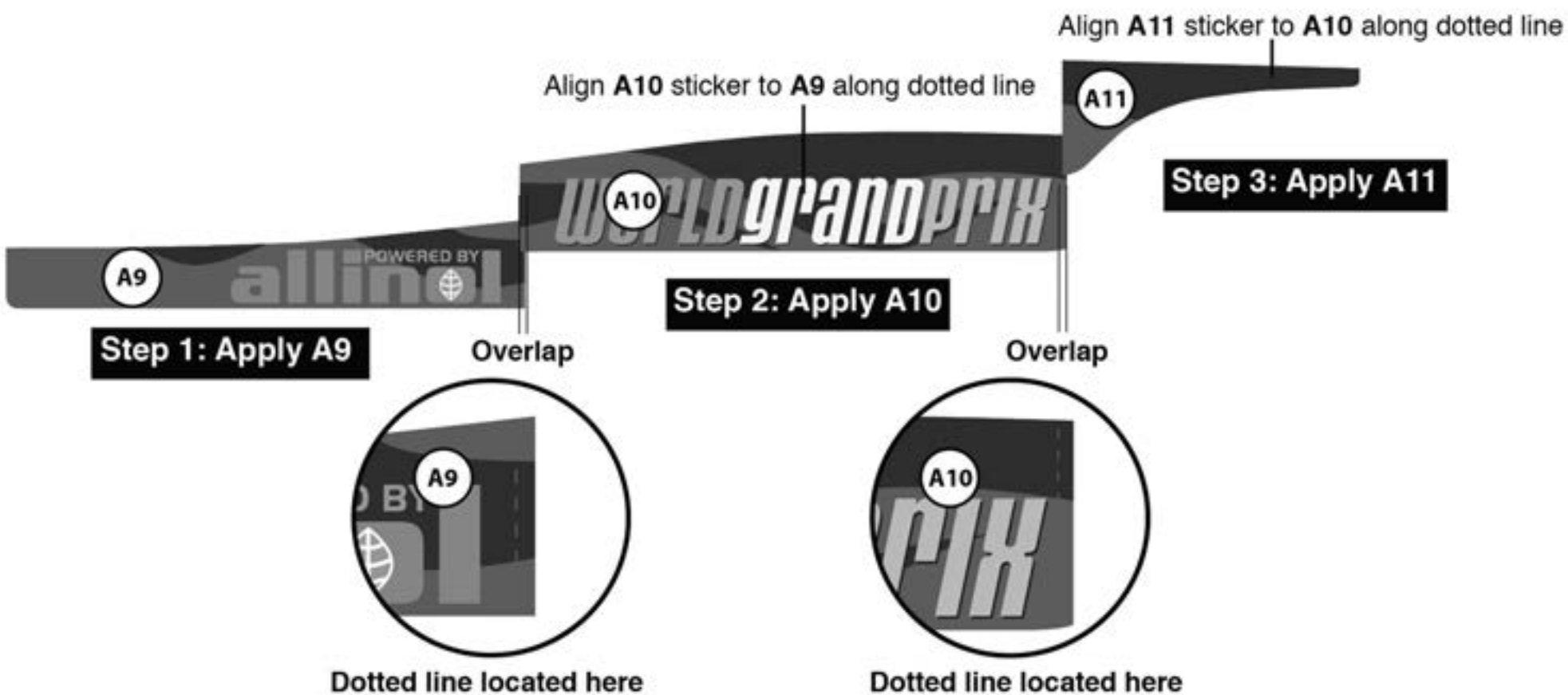
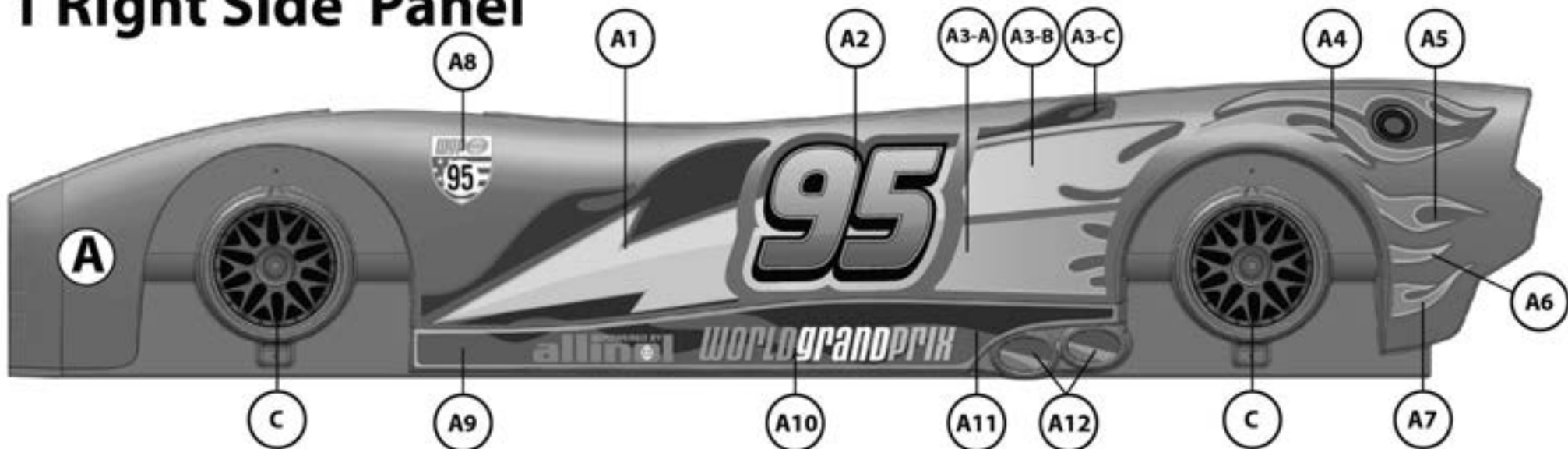


1.0" Length

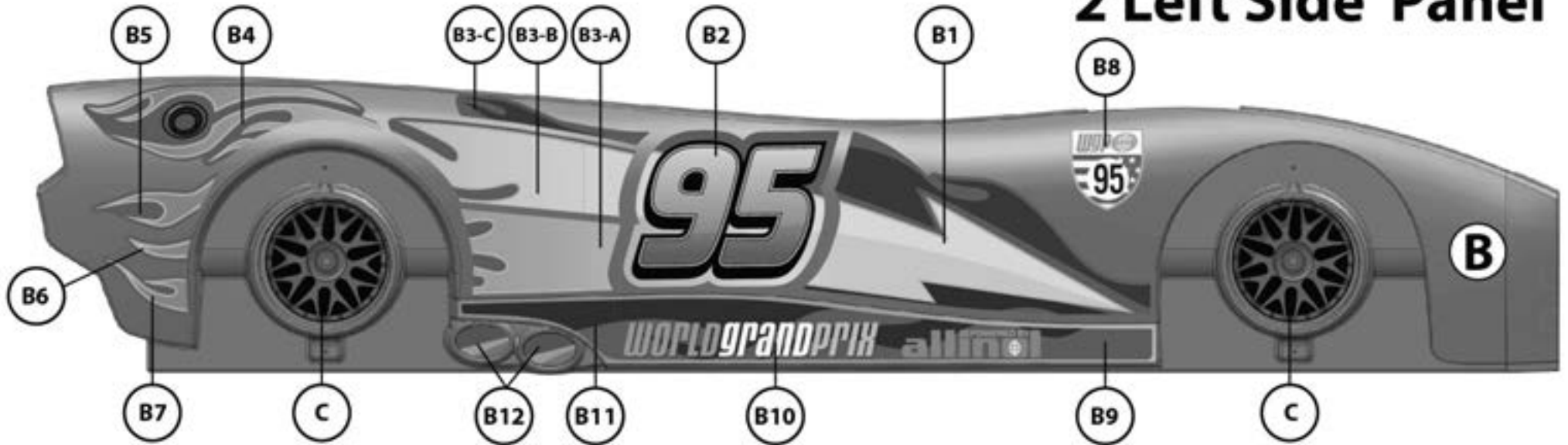


1.0" DIA.

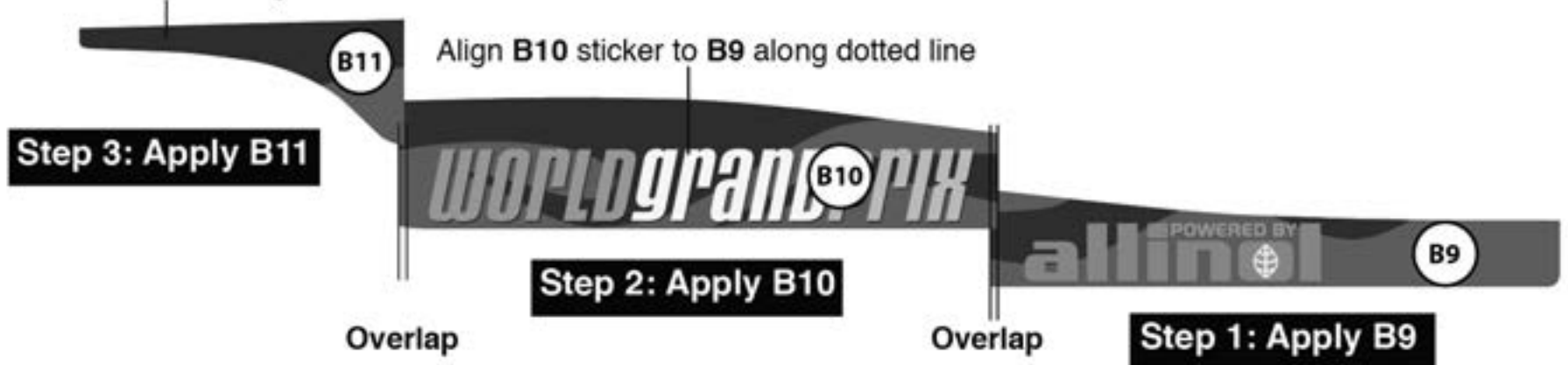
1 Right Side Panel



2 Left Side Panel



Align **B11** sticker to **B10** along dotted line

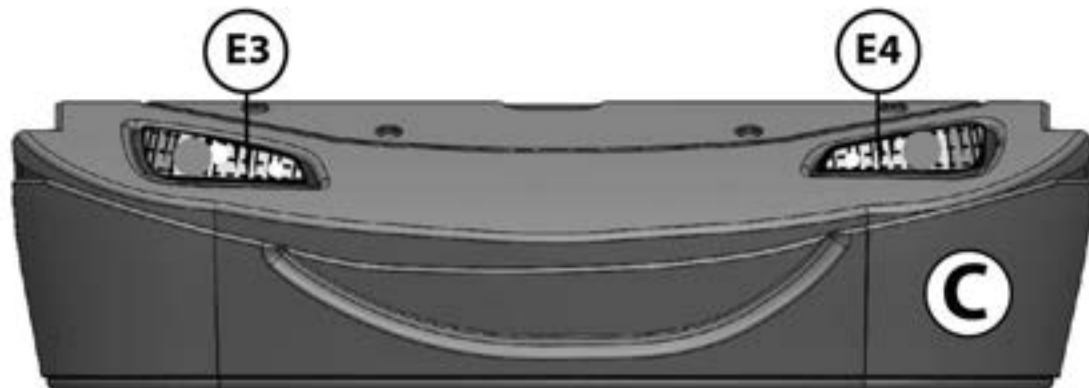


Dotted line located here

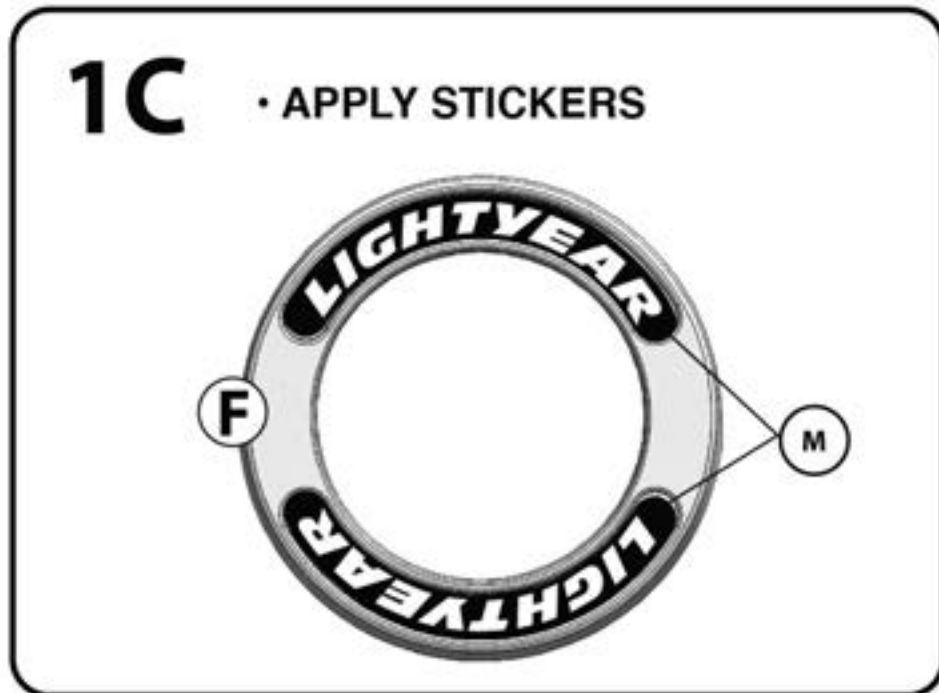
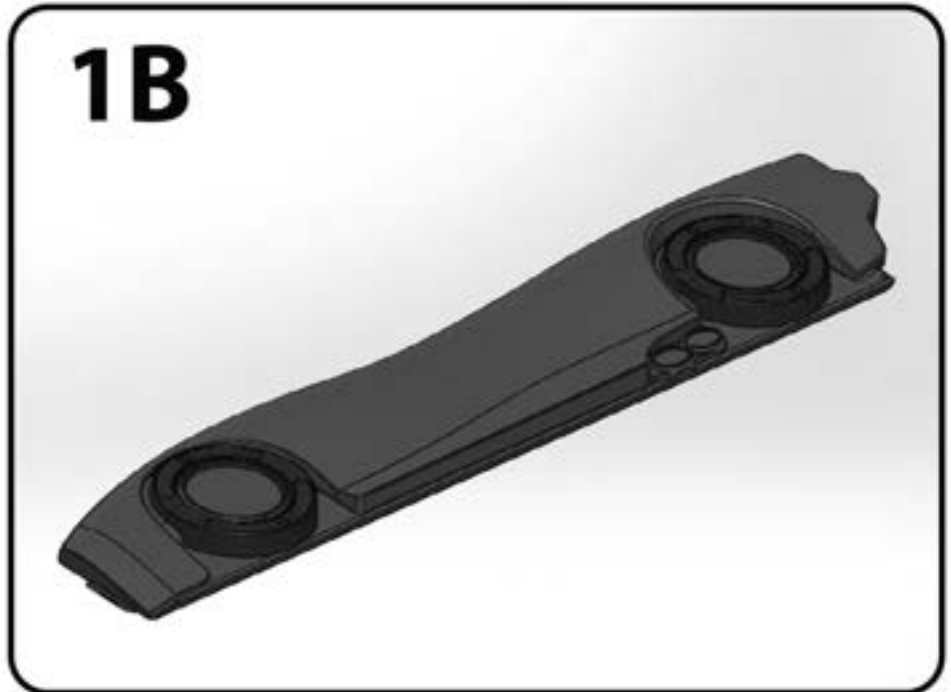
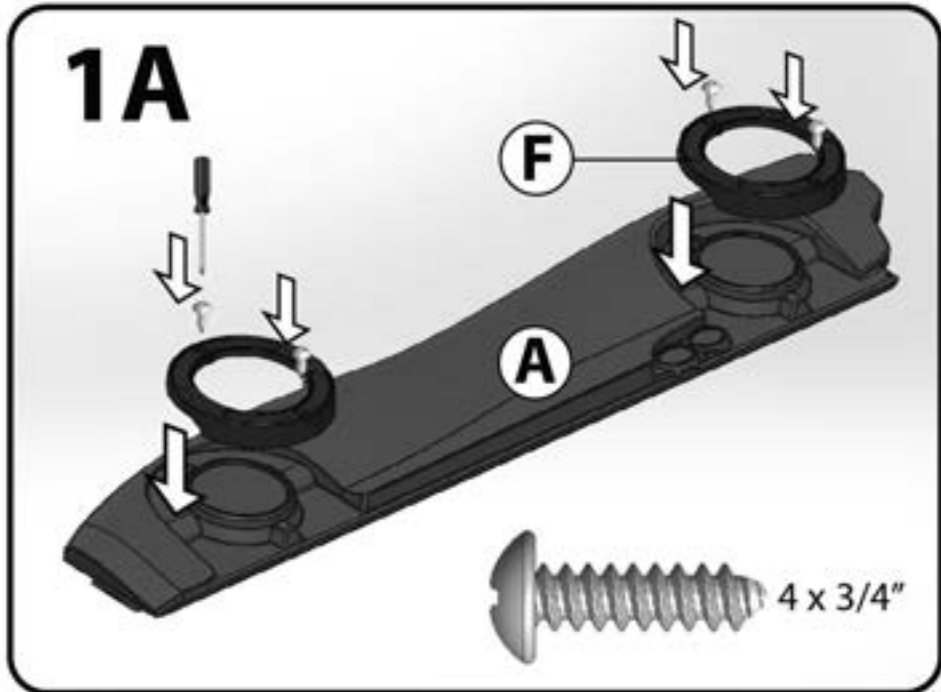


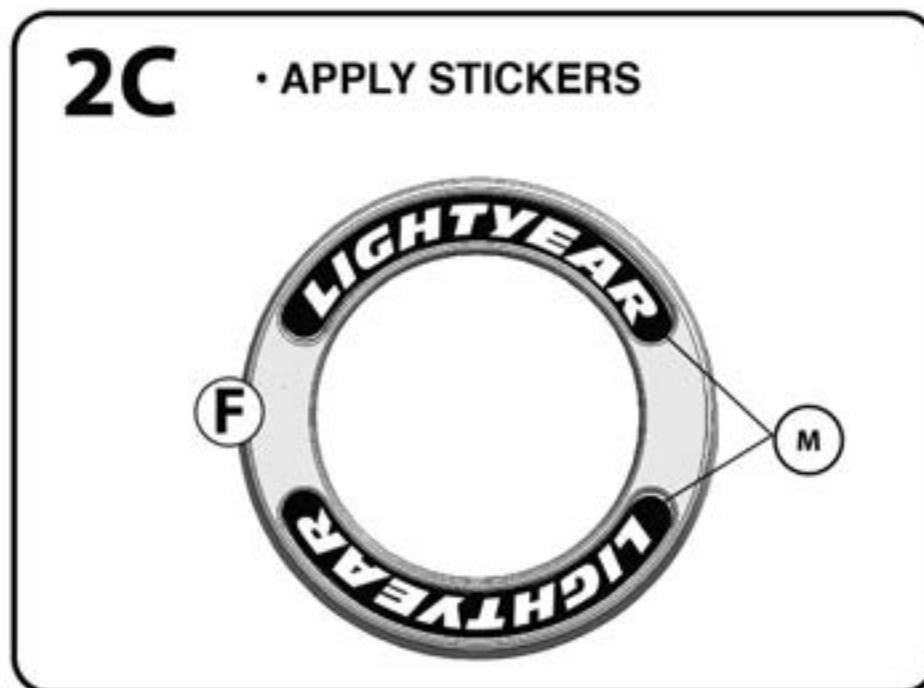
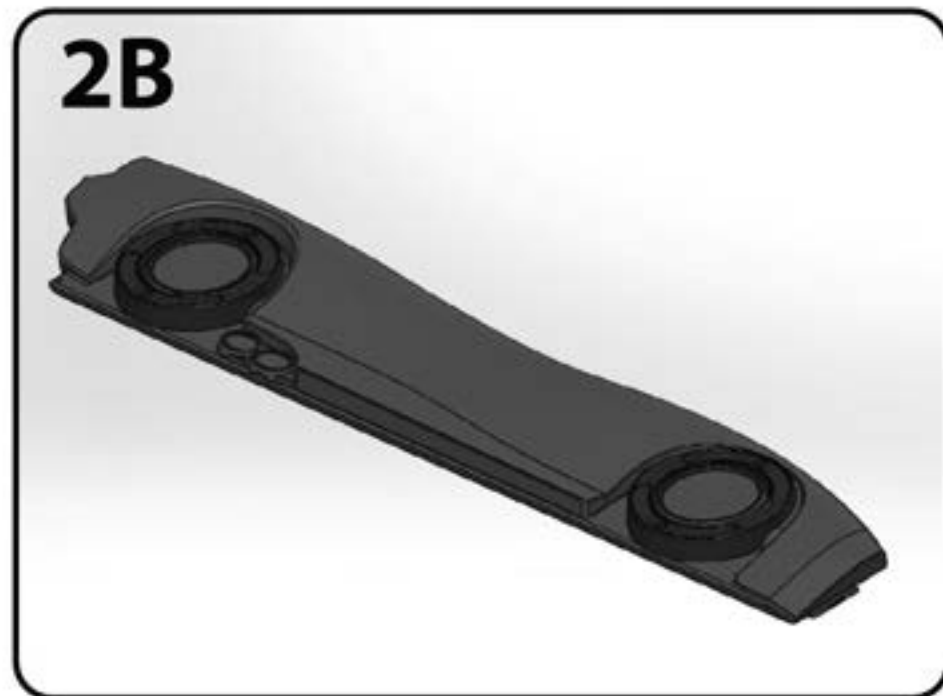
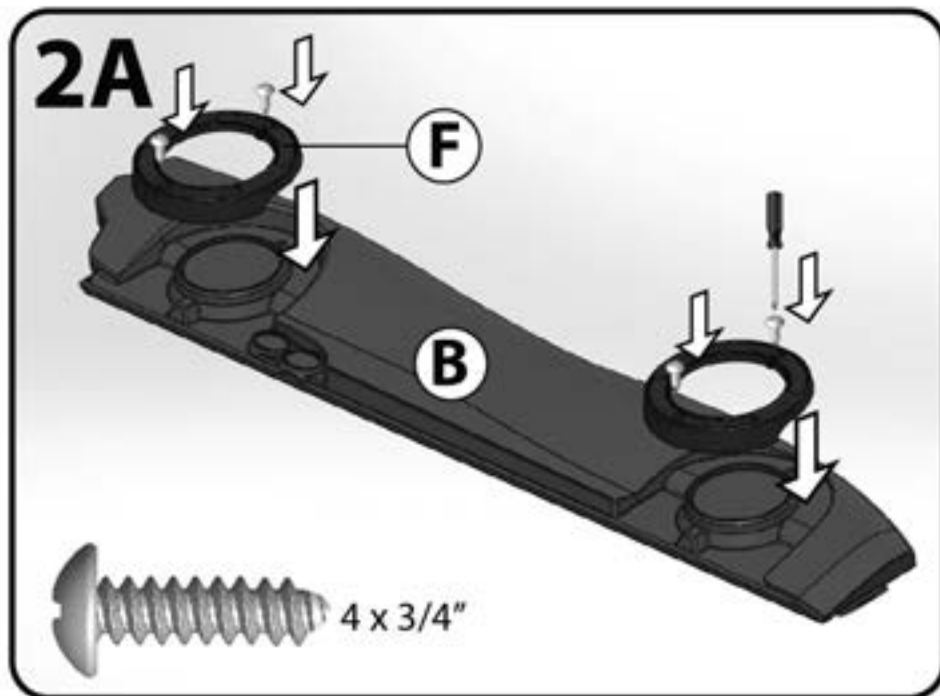
Dotted line located here

4 • APPLY STICKERS



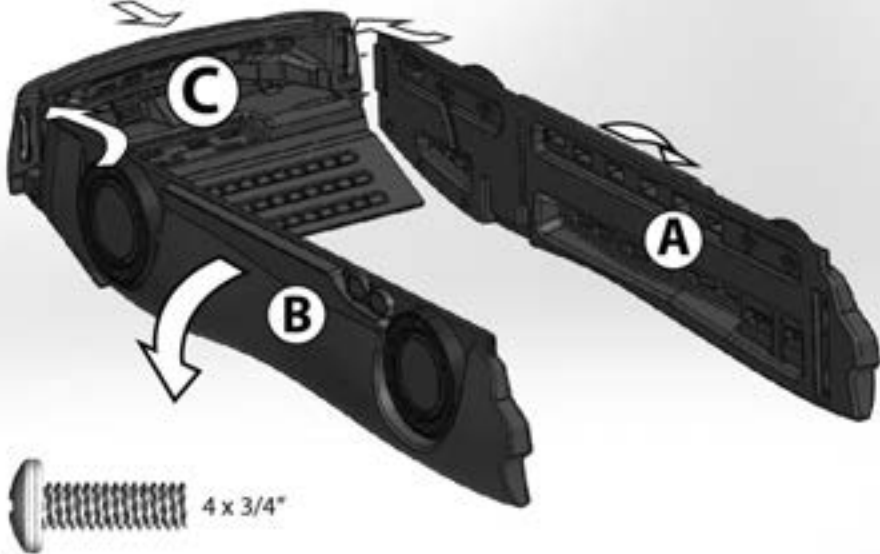
•Match cut-out in headlight sticker to holes on front bumper



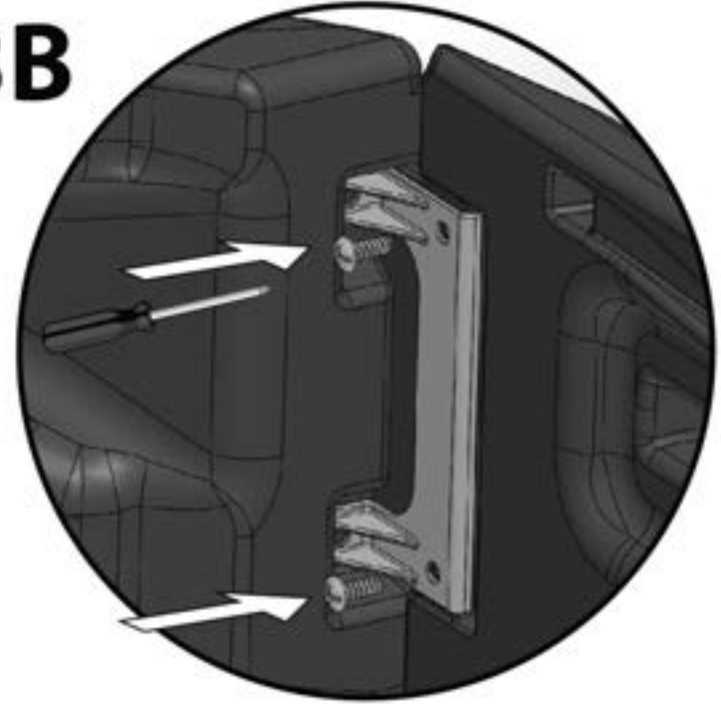


3A

• Turn both side panels and front bumper upside down to begin assembly



3B

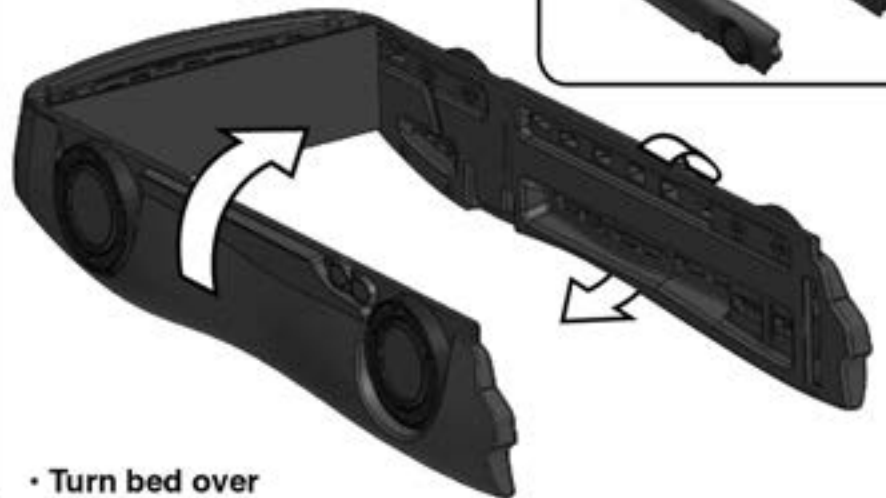


4A

• Fold cover upwards into fully locked position

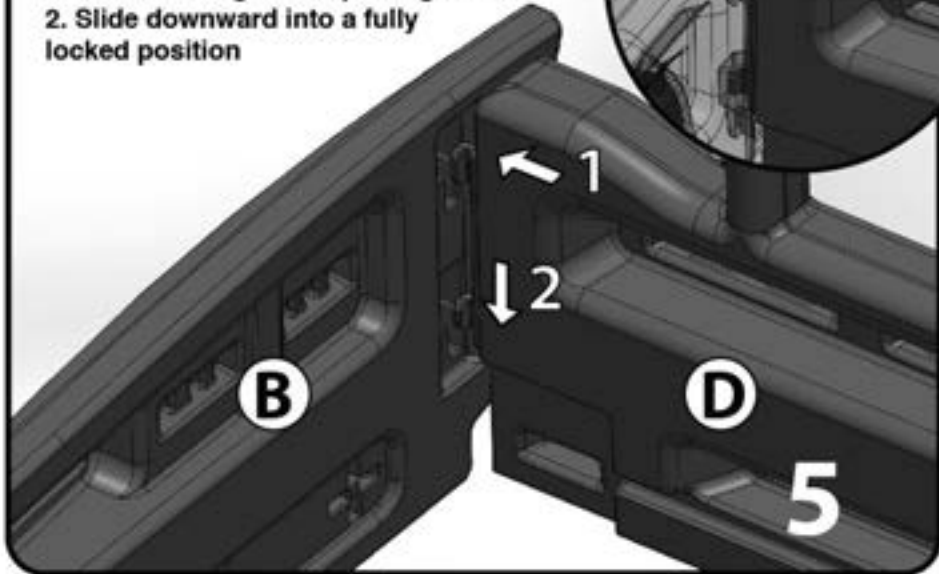


4B

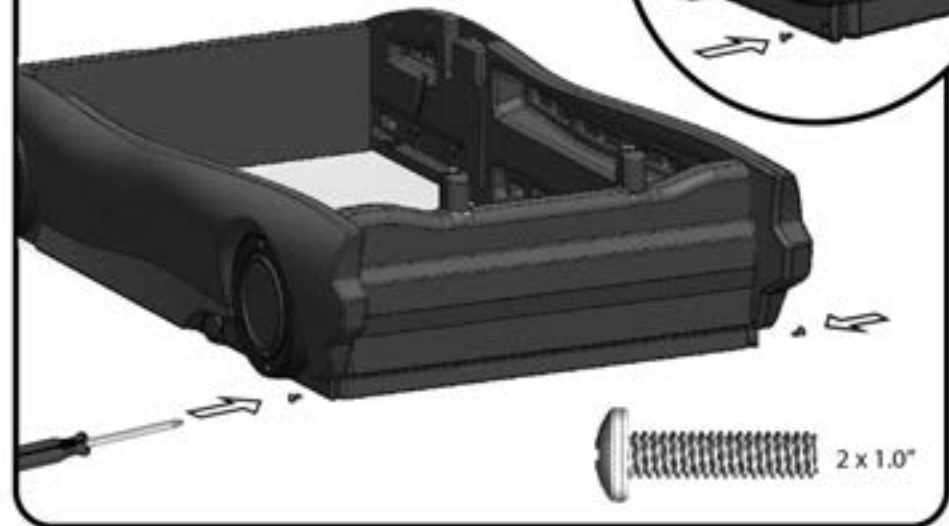


• Turn bed over

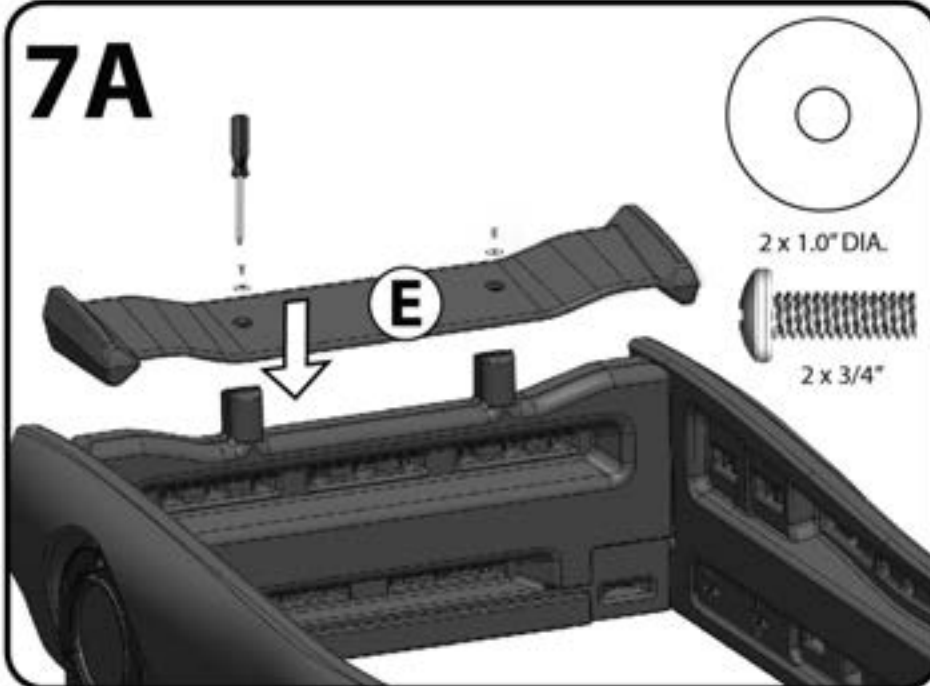
To attach back panel to side panels:
1. Push back panel latch hooks
into both left/right side panel
grooves
2. Slide downward into a fully
locked position



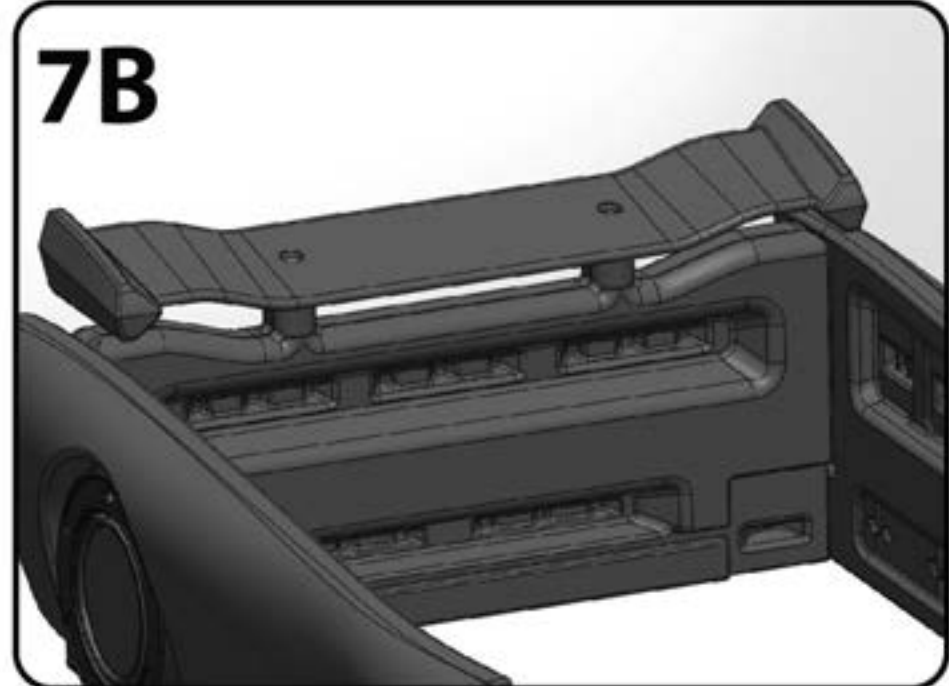
6



7A



7B



8

• APPLY "N" STICKER AFTER SPOILER IS FULLY ASSEMBLED

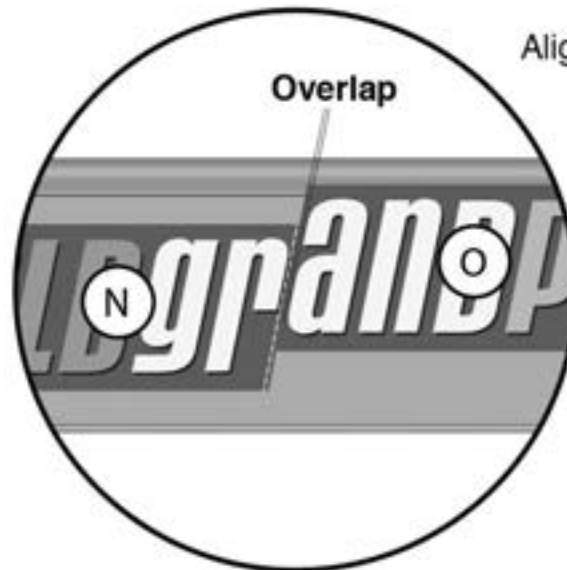
• APPLY "O" STICKER AFTER SPOILER IS FULLY ASSEMBLED



2.50" (approx.) Apply sticker here



Align O sticker on N along dotted line



Dotted line located here

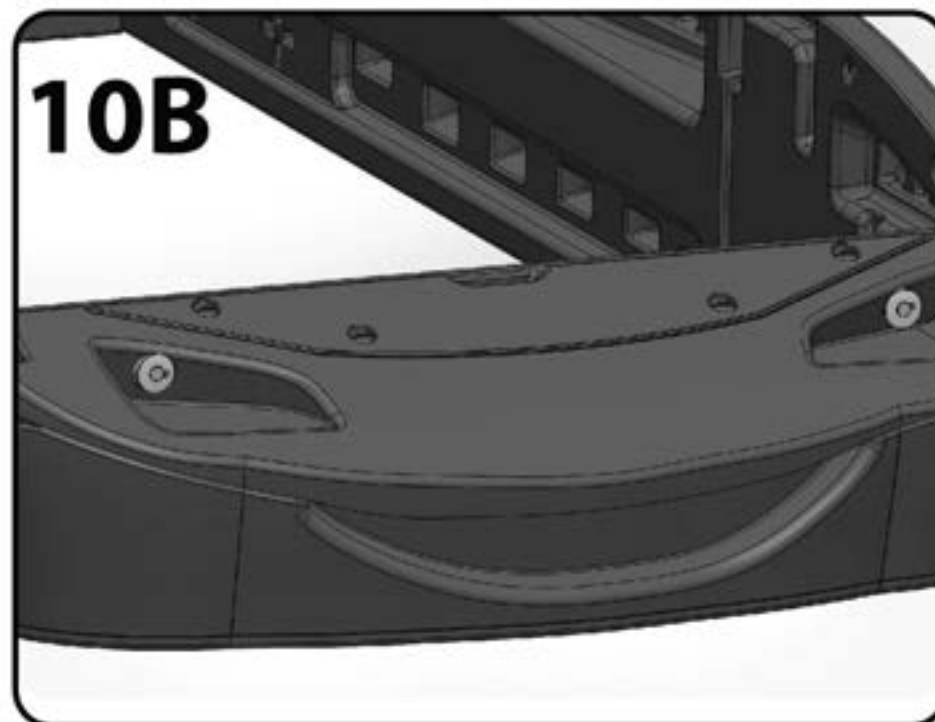
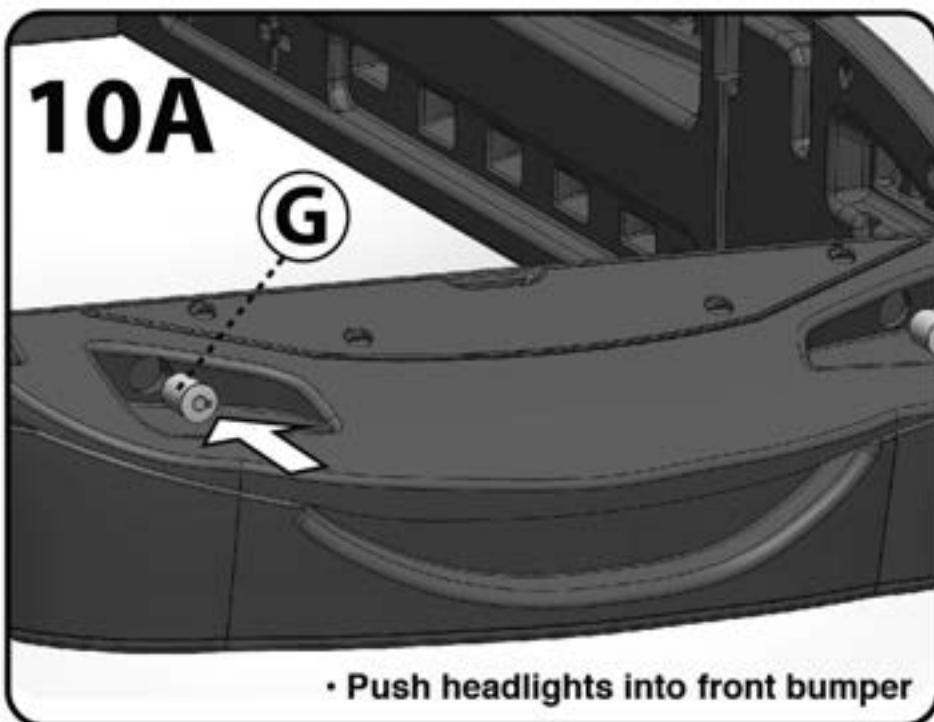
9



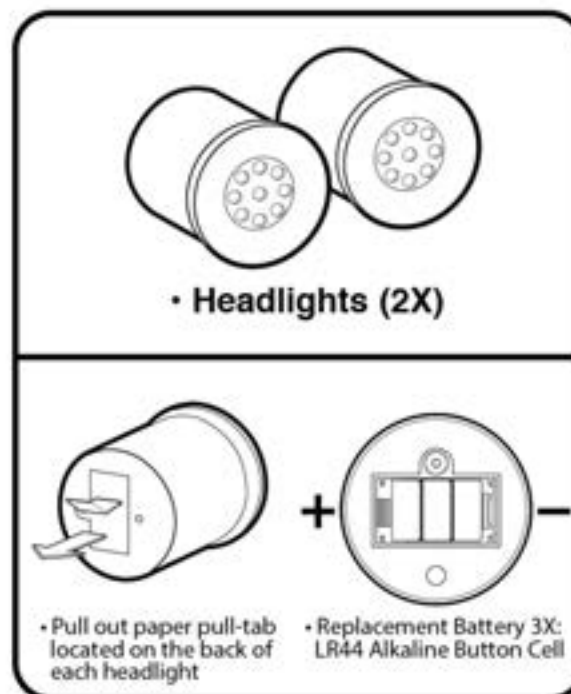
B13



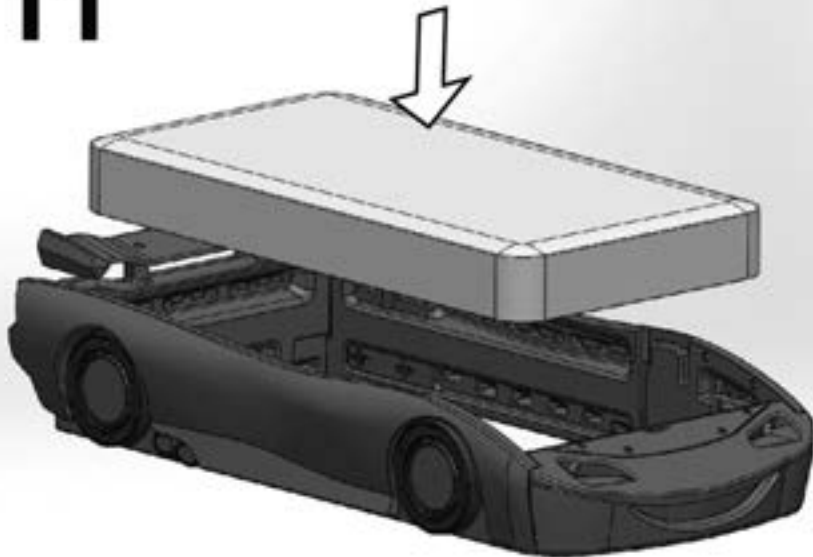
A13



• Push center to turn on headlight



11



• Works with standard boxspring and twin mattress

12



Twin Bed

TWIN BED

WARNING:

THIS ITEM REQUIRES ASSEMBLY BY AN ADULT BECAUSE OF SMALL PARTS. CARE SHOULD BE TAKEN IN UNPACKING AND ASSEMBLY OF THIS PRODUCT. NEVER USE THE TWIN BED CONFIGURATION WITH CHILDREN YOUNGER THAN 2 YEARS OLD. INFANTS WHO CANNOT GET IN AND OUT OF A TWIN BED WITHOUT HELP CAN BE TRAPPED IN GAPS FORMED BETWEEN THE MATTRESS AND THE WALL OR PARTS OF THE BED AND SUFFOCATE.

DELTA CHILDREN'S PRODUCTS
114 WEST 26TH STREET
NEW YORK, N.Y. 10001 U.S.A.
PHONE: (212) 645-9033

MANUFACTURED AND DISTRIBUTED BY
DELTA CHILDREN'S PRODUCTS
NEW YORK, NY 10001
MADE IN U.S.A