

Delta™

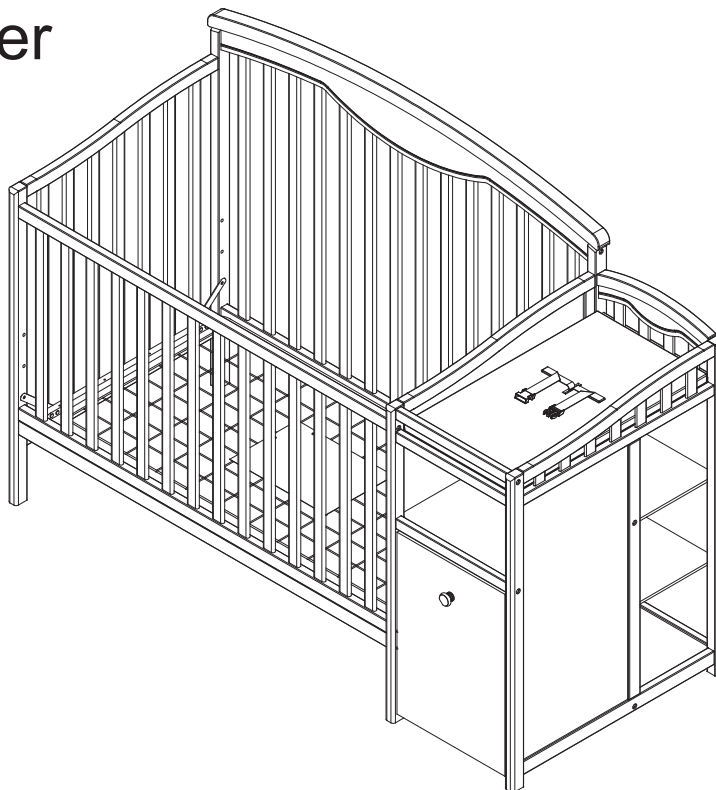
Children's Products

Crib N Changer

Read all instructions before assembly and use.
KEEP INSTRUCTIONS FOR FUTURE USE.

⚠ ADULT ASSEMBLY REQUIRED

Due to the presence of small parts during assembly, keep out of reach of children until assembly is complete.



THIS PRODUCT IS NOT INTENDED FOR INSTITUTIONAL OR COMMERCIAL USE.

Consumer Care:

www.DeltaChildren.com

Delta Children's Products

114 West 26th Street

New York, NY 10001

Tele.212-645-9033

Style #: _____

Lot: _____

Date: _____



When contacting Delta Consumer Care you will need to reference the above numbers. They can also be found on the label on the Crib End bottom rail.

To register your product for important safety alerts and updates to your product please visit www.DeltaChildren.com and click on Product Registration.

CAUTION:

ANY MATTRESS USED IN THIS CRIB SHALL BE AT LEAST 27 1/4 BY 51 5/8 IN. WITH A THICKNESS NOT EXCEEDING 6 IN.

WARNING:

- *Infants can suffocate on soft bedding. Never add a pillow or comforter. Never place additional padding under an infant.
- *Failure to follow these warnings and the assembly instructions could result in serious injury or death. DO NOT use this crib if you cannot exactly follow the accompanying instructions.
- *To reduce the risk of SIDS, pediatricians recommend healthy infants be placed on their backs to sleep, unless otherwise advised by your physician.
- ***Strangulation Hazard:** STRINGS CAN CAUSE STRANGULATION! Do not place items with a string around a child's neck, such as hood strings or pacifier cords. Do not suspend strings over a crib or attach strings to toys.
- ***Strangulation Hazard:** To help prevent strangulation tighten all fasteners. A child can trap parts of the body or clothing on loose fasteners.
- ***Strangulation Hazard:** Do not place crib near window or patio door where cords from blinds or drapes may strangle a child.
- ***Fall Hazard:** When child is able to pull to a standing position, set mattress to lowest position and remove bumper pads, large toys and other objects that could serve as steps for climbing out. This crib has an adjustable mattress support. For the convenience of the parent when the baby is very small, the mattress support may be used in the highest position. Important: with the mattress support and mattress in the highest position, be absolutely sure that the top of the front crib side is at least 3 inches higher than the top surface of the mattress. If it is not, lower the mattress support and the mattress to the next highest position.
- ***Fall Hazard:** Stop using crib when child begins to climb out or reaches a height of 35in. (89cm), whichever occurs first. The child should be placed in a youth or regular bed.
- *Check this product for damaged hardware, loose joints, loose bolts or other fasteners, missing parts, or sharp edges before and after assembly and frequently during use. Securely tighten loose bolts and other fasteners. Do not use crib if any parts are missing, damaged or broken. Contact Delta Children's Products for replacement parts and instructional literature if needed. Do not substitute parts.
- *Follow warnings on all products in a crib.
- *If refinishing, use a non-toxic finish specified for children's products.
- ***Never** use plastic shipping bags or other plastic film as mattress covers because they can cause suffocation.
- *Infants can suffocate in gaps between crib sides and a mattress that is too small.
- *Ensure a safe environment for the child by checking regularly, before placing the child in the crib, that every component is properly and securely in place.
- *To avoid head injury, do not allow any child to play underneath the crib.
- ***Never** add an accessory such as a bassinet or changing table that extends over the sleeping area.
- ***In Canada Only** - Use a crib mattress that is no thicker than 15 cm and is of such a size that, when it is pushed firmly against any side of the crib, it does not leave a gap of more than 3 cm between the mattress and any part of the sides of the crib. Do not use this crib for a child who can climb out of it or who is taller than 90 cm.

TODDLER BED

WARNING

INFANTS HAVE DIED IN TODDLER BEDS FROM ENTRAPMENT.

Openings in and between bed parts can entrap head and neck of a small child.

NEVER use bed with children younger than 15 months.

ALWAYS follow assembly instructions.

The maximum user weight is 50lbs (22.7kg)

WARNING

STRANGULATION HAZARD

NEVER place bed near windows where cords from blinds or drapes may strangle a child.

NEVER suspend strings over a bed.

NEVER place items with a string, cord, or ribbon, such as hood strings or pacifier cords, around a child's neck. These items may catch on bed parts.

CAUTION

ENTRAPMENT HAZARD

To avoid dangerous gaps, any mattress used in this bed shall be a full-size crib mattress at least 51 5/8 in (1310mm) in length, 27 1/4 in (690mm) in width and 4 in (100mm) in thickness. The mattress thickness must not exceed 6 in (150mm).

WARNING: Changing Table

WARNING

FALL HAZARD - to prevent death or serious injury, always keep child within arm's reach.

Read all instructions before use of the changing table.

KEEP THESE INSTRUCTIONS IN A SAFE PLACE FOR FUTURE USE.

Inspect the changing table periodically. **Do not** use the changing table if it is damaged or broken. Contact Delta Children's Products with any questions.

Tighten all loose screws and bolts before each use.

The maximum recommended weight of the child is 30lbs for the changing table.

Use only the pad provided by Delta Children's Products.

Always secure the pad to the changing surface by inserting the strap through the hole in the middle of the pad. See Instructions.

NEVER use crib without Changing Table attached

NOTES ON ASSEMBLY:

- During the assembly process whenever using screws or bolts, check each by placing the screw/bolt on the diagram of the item which is drawn actual size and design. Be sure to use the proper size and shape specified in the instructions.
- To assemble this unit you may be required to place the unit on it's side and face. It is strongly recommended that assembly is done on a soft, non-abrasive surface (such as the foam packing wrap) to avoid damaging the finish.

NOTES ON USE:

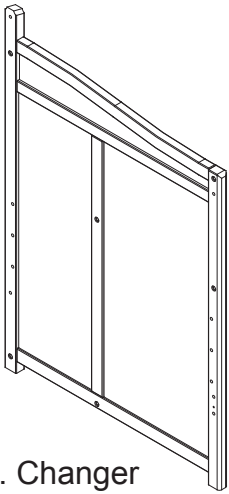
Keep children and others safe by following these simple rules:

- **Do not** allow any child to play on furniture
- **Do not** allow climbing on any piece of furniture.
- **Do not** allow hanging from any piece of furniture.
- Always monitor your child's activity when in the nursery.

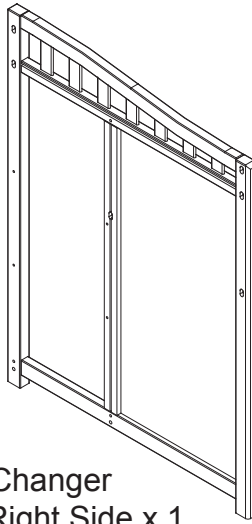
NOTES ON CARE AND MAINTENANCE:

- **Do not** scratch or chip the finish.
- Inspect the product periodically, contact Delta Children's Products for replacement parts or questions.
- **Do not** store the product or any parts in extreme temperatures and conditions such as a hot attic or a damp, cold basement. These extremes can cause a loss of structural integrity.
- To preserve the luster of the high quality finish on your product, it is recommended to place a doily or felt pad under any items you place on the finish.
- Clean with a damp cloth, then a dry cloth to preserve the original luster and beauty of this fine finish.
- Do not** use abrasive chemicals.
- Do not** spray cleaners directly onto furniture.
- Lift slightly when moving on carpeting to prevent leg breakage.
- Use of a vaporizer near furniture will cause wood to swell and finish to peel.

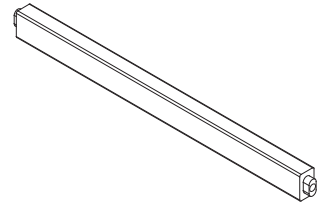
PARTS: MAKE SURE THAT ALL PRE-ASSEMBLED PARTS ARE TIGHT.



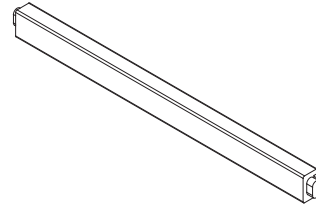
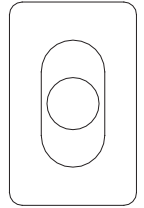
A. Changer
Left Side x 1
Part # 21622



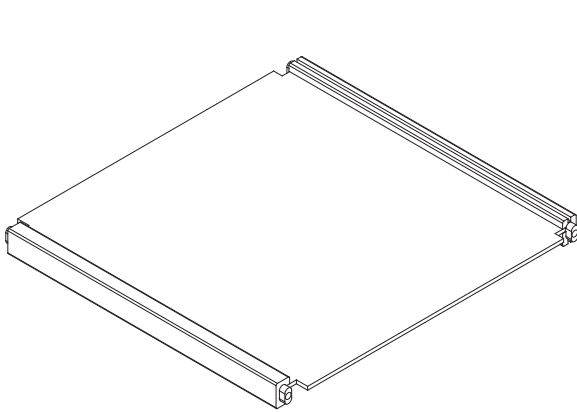
B. Changer
Right Side x 1
Part # 21623



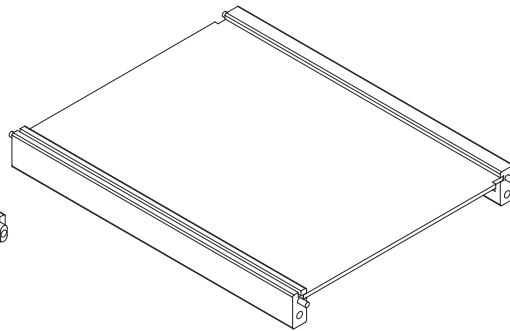
C. Changer Top Rail x 1
Part # 16843



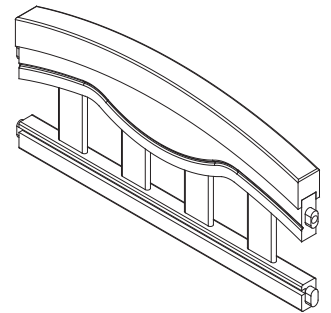
D. Changer Middle Rail x 1
Part # 21624



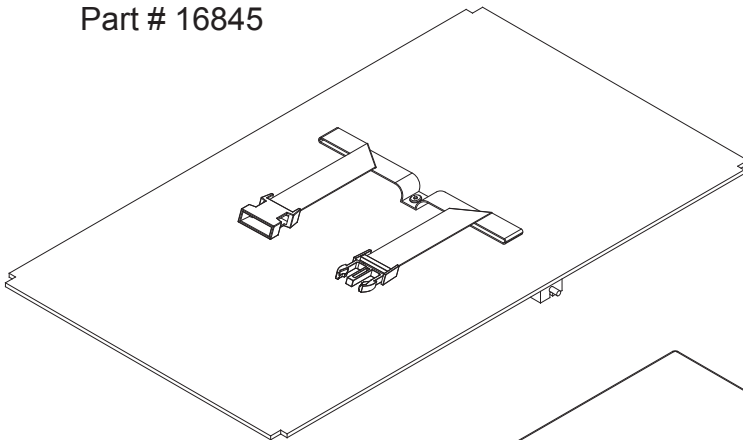
E. Changer Fixed Shelf x 1
Part # 16845



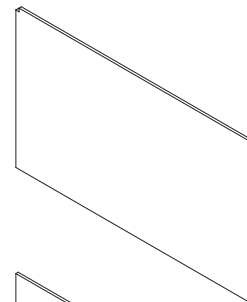
F. Changer Bottom Shelf x 1
Part # 16846



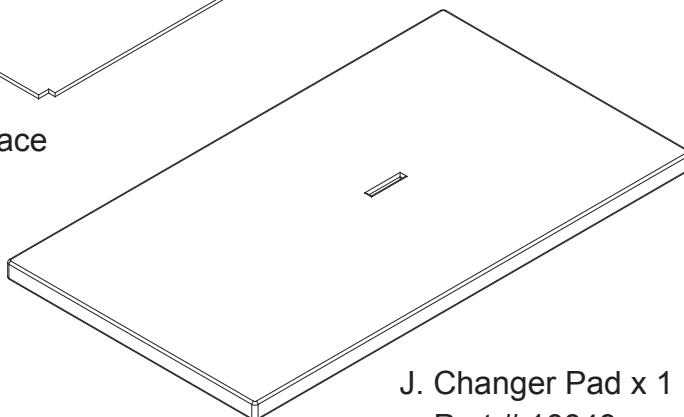
G. Changer Back
Rail x 1
Part # 21625



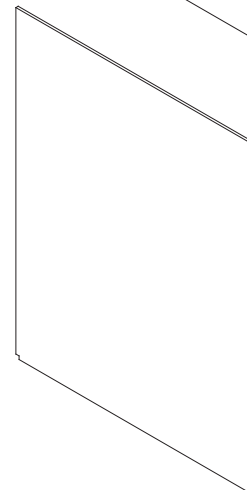
H. Changer Surface
with Strap x 1
Part # 21626



K. Small Changer
Panel x 1
Part # 22118

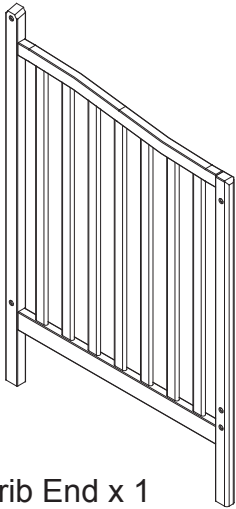


J. Changer Pad x 1
Part # 16849

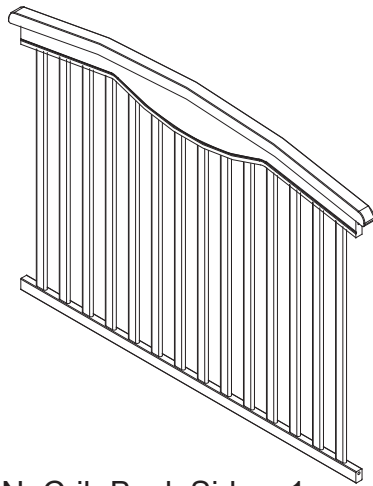


L. Large Changer
Panel x 1
Part # 16850

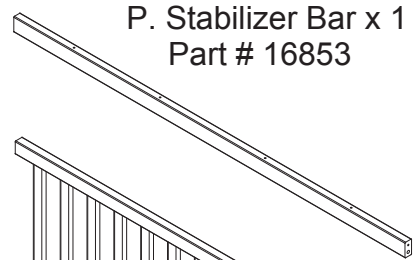
PARTS: MAKE SURE THAT ALL PRE-ASSEMBLED PARTS ARE TIGHT.



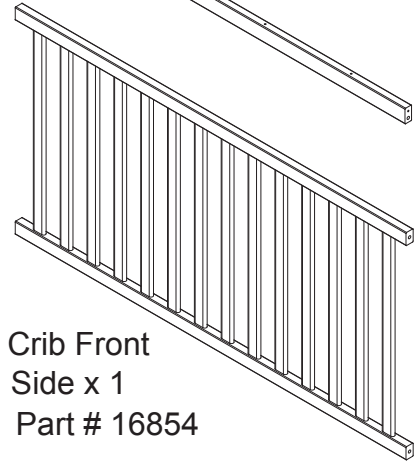
M. Crib End x 1
Part # 16851



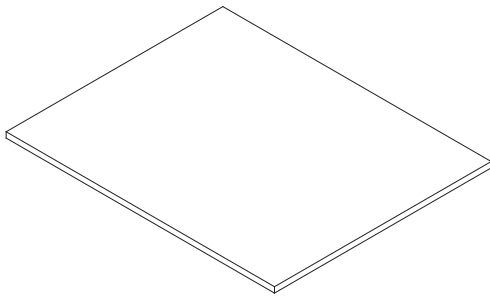
N. Crib Back Side x 1
Part # 16852



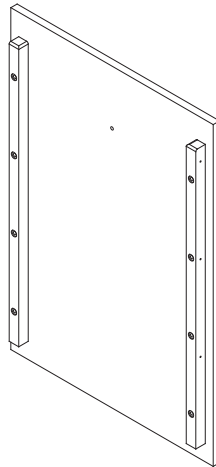
P. Stabilizer Bar x 1
Part # 16853



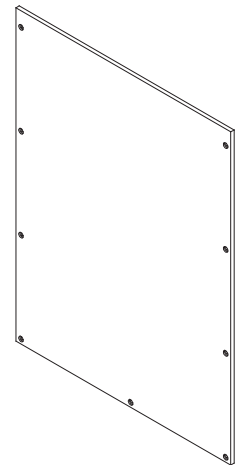
R. Crib Front Side x 1
Part # 16854



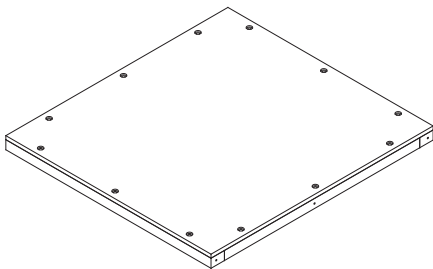
S. Removable Shelf x 2
Part # 16855



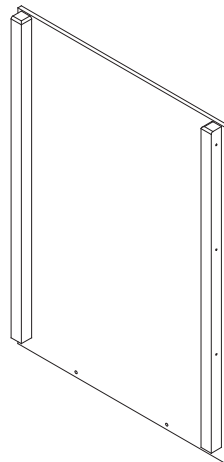
T. Hamper Front x 1
Part # 16856



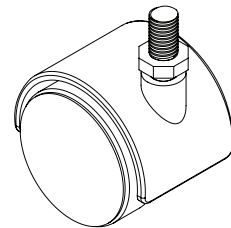
U. Hamper Side x 2
Part # 16857



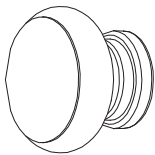
W. Hamper Bottom x 1
Part # 16859



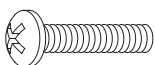
V. Hamper Back x 1
Part # 16858



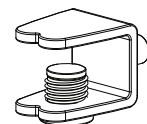
Z. Caster x 4
Part # 16861



X. Hamper Handle x 1
Part # 16860

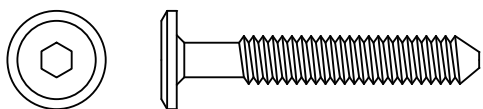


Y. Handle Bolt x 1

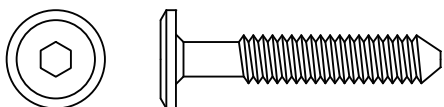


AA. Shelf Clips x 8

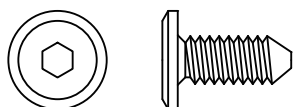
PARTS: HARDWARE KIT PART #16863 FOR COLOR 205.
SEE FRONT COVER.



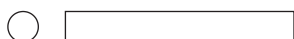
BB. M6 x 40 mm Bolt x 18



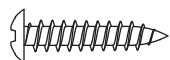
CC. M6 x 35 mm Bolt x 4



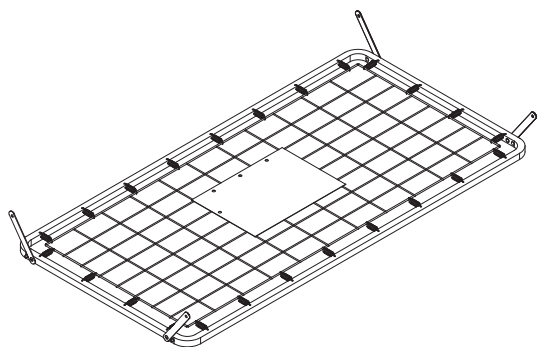
DD. M6 x 15 mm Bolt x 4



EE. M4 x 30 mm Metal Pin x 6

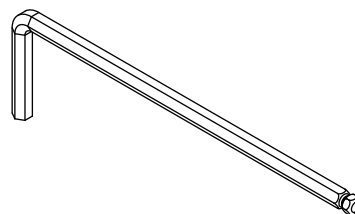
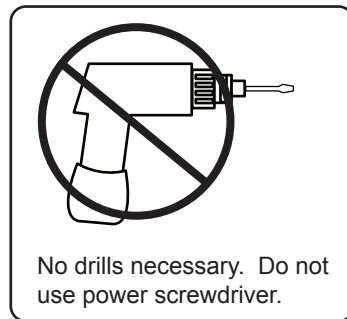


FF. 19 mm Screw x 20

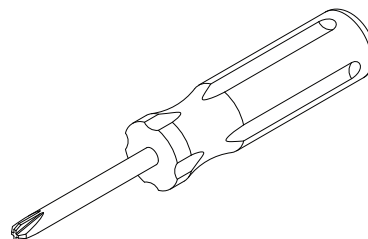


GG. Mattress Support x 1
Part # 16862

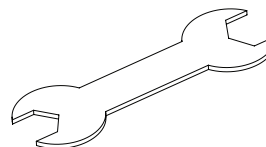
POUCH ATTACHED TO MATTRESS SUPPORT
- KEEP INSTRUCTIONS IN THIS POUCH
AFTER ASSEMBLY.
WARNINGS RELATED TO THE SAFE USE OF
THIS CRIB ARE PRINTED ON THE POUCH.



M4 Allen Wrench
Supplied



Phillips Screwdriver
Supplied

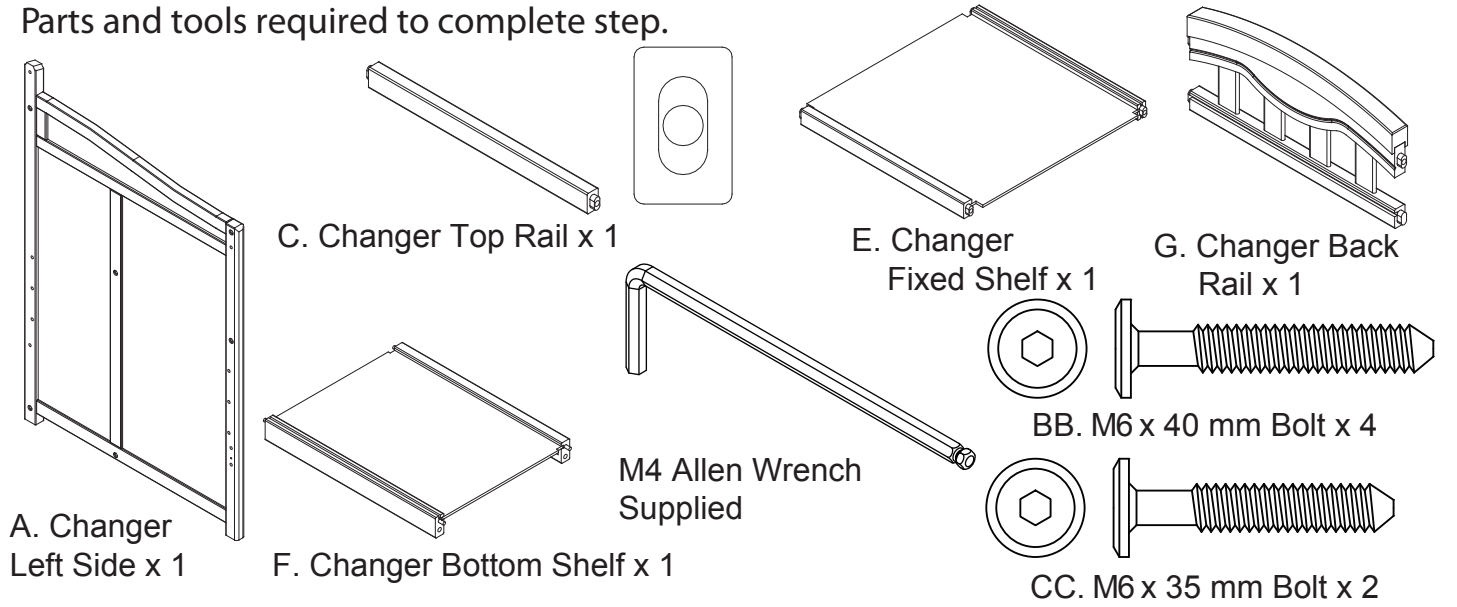


Castor Wrench
Supplied

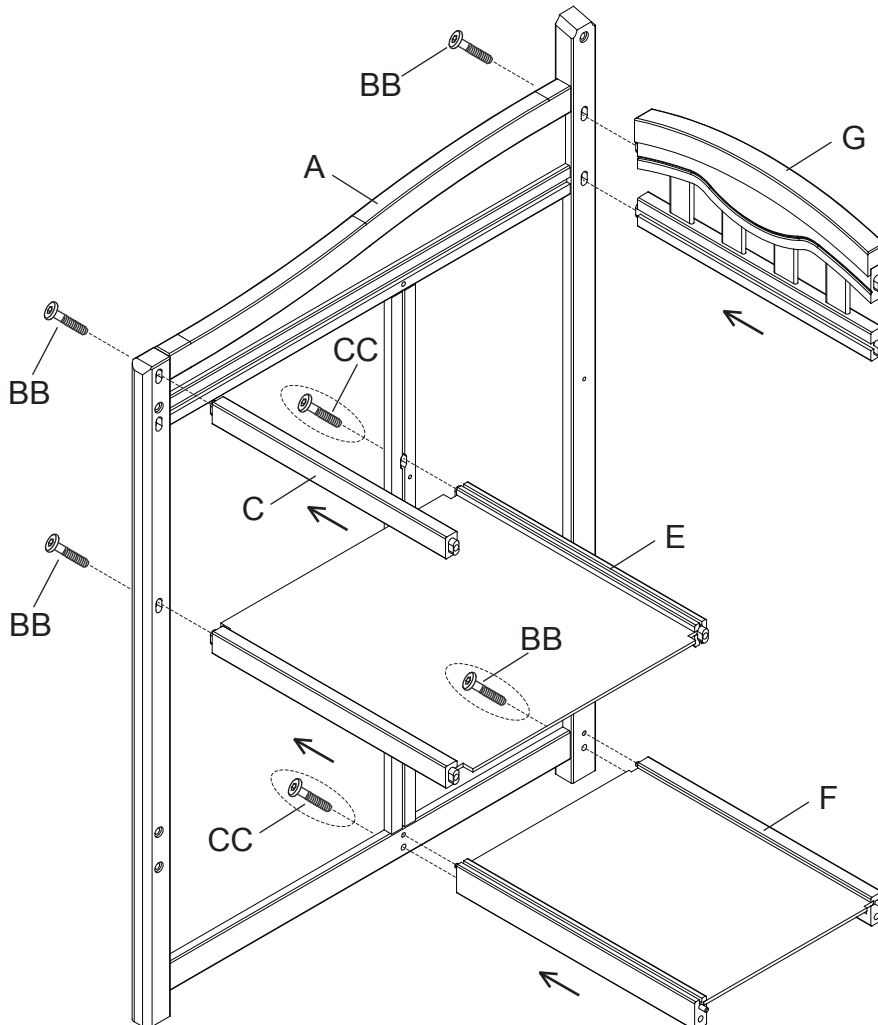
Section 1: Changing Table Assembly

Step 1

Parts and tools required to complete step.



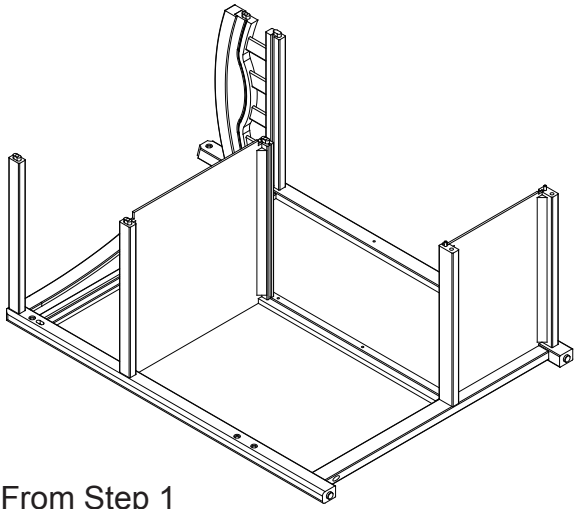
Attach (1) Changer Top Rail (Part C), (1) Changer Back Rail (Part G), (1) Changer Fixed Shelf (Part E) and (1) Changer Bottom Shelf (Part F) to the Changer Left Side (Part A) using (4) M6 x 40 mm Bolts (Part BB) and (2) M6 x 35 mm Bolts (Part CC). Tighten with the M4 Allen Wrench.



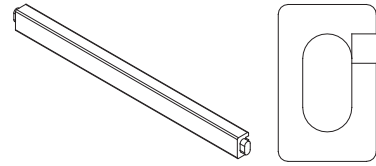
Section 1: Changing Table Assembly

Step 2

Parts and tools required to complete step.

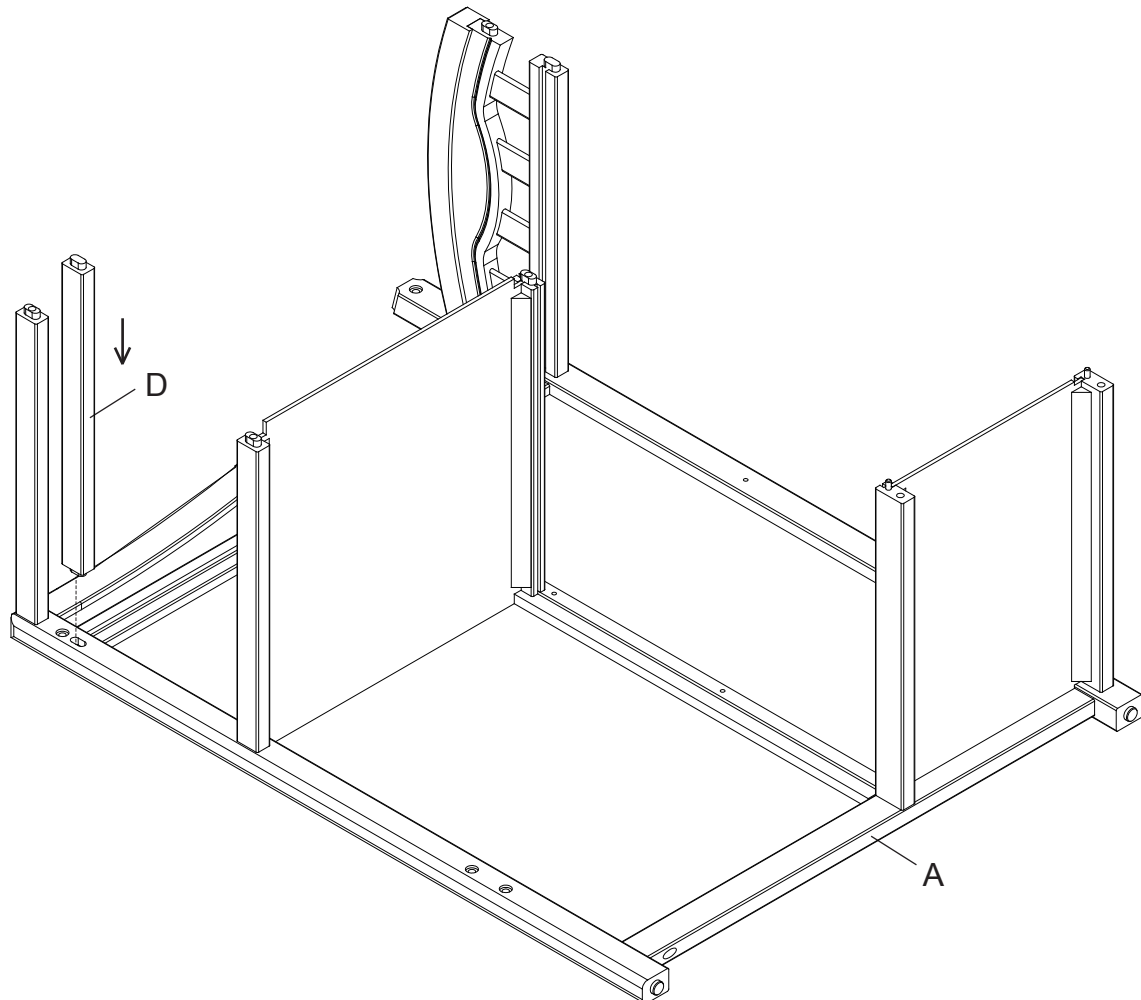


From Step 1



D. Changer Middle Rail x 1

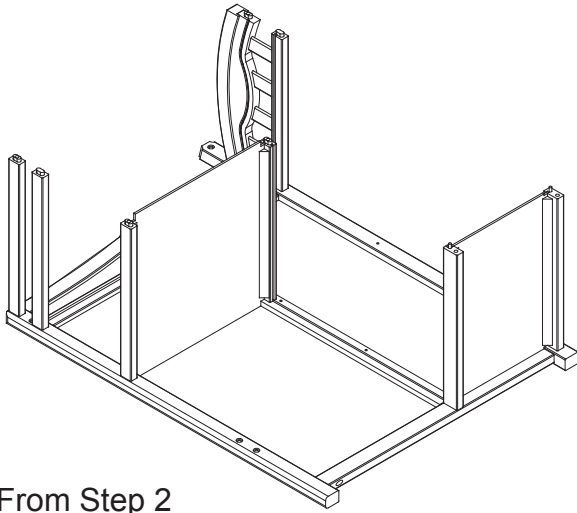
Lay Changer Left Side (Part A) on a soft non abrasive surface such as the foam packing wrap. Insert (1) Changer Middle Rail (Part D) as shown.



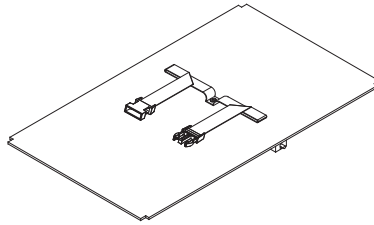
Section 1: Changing Table Assembly

Step 3

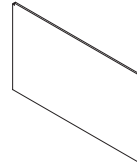
Parts and tools required to complete step.



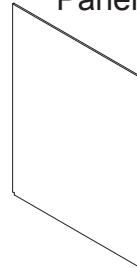
From Step 2



H. Changer Surface with Strap x 1



K. Small Changer Panel x 1

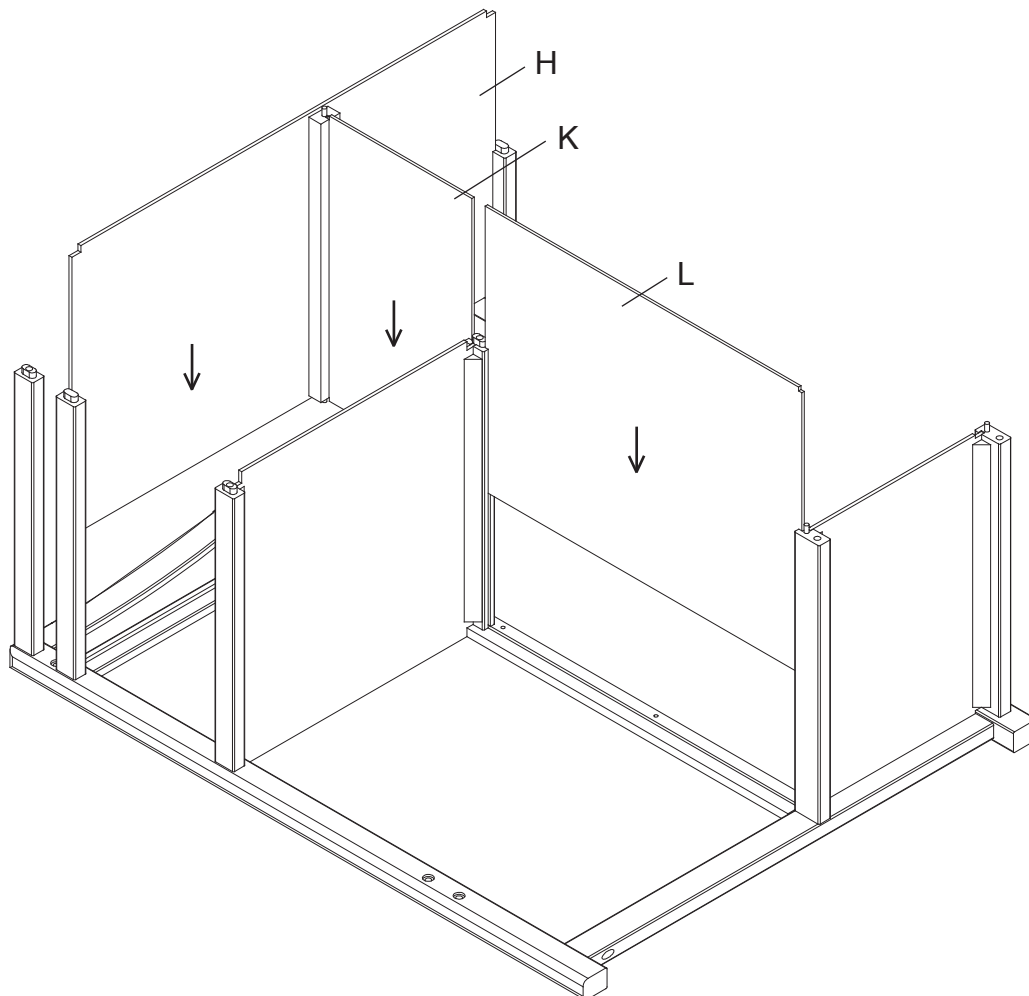


L. Large Changer Panel x 1

Slide Changer Surface with Strap (Part H) in between Changer Middle Rail (Part D) and Changer Back Rail (Part G) Grooves as shown.

Slide Small Changer Panel (Part K) into Changer Surface with Strap (Part H) and Changer Fixed Shelf (Part E) Grooves as shown.

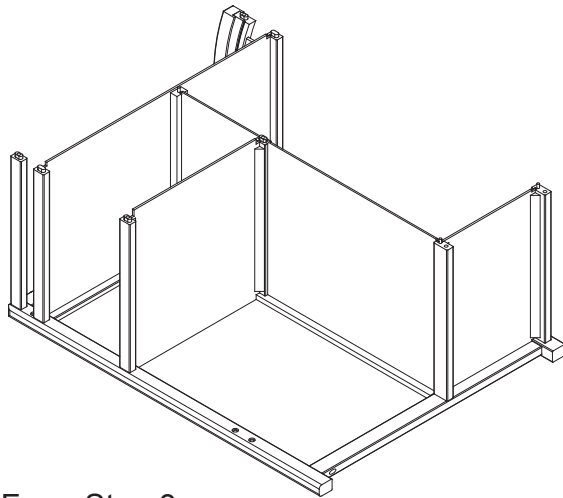
Slide Large Changer Panel (Part L) into Changer Fixed Shelf (Part E) and Changer Bottom Shelf (Part F) Grooves as shown.



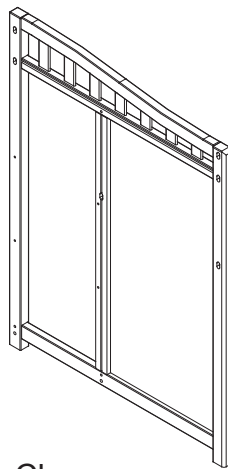
Section 1: Changing Table Assembly

Step 4

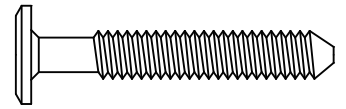
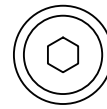
Parts and tools required to complete step.



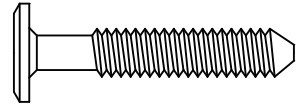
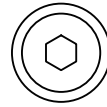
From Step 3



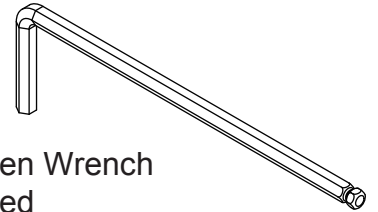
B. Changer
Right Side x 1



BB. M6 x 40 mm Bolt x 4

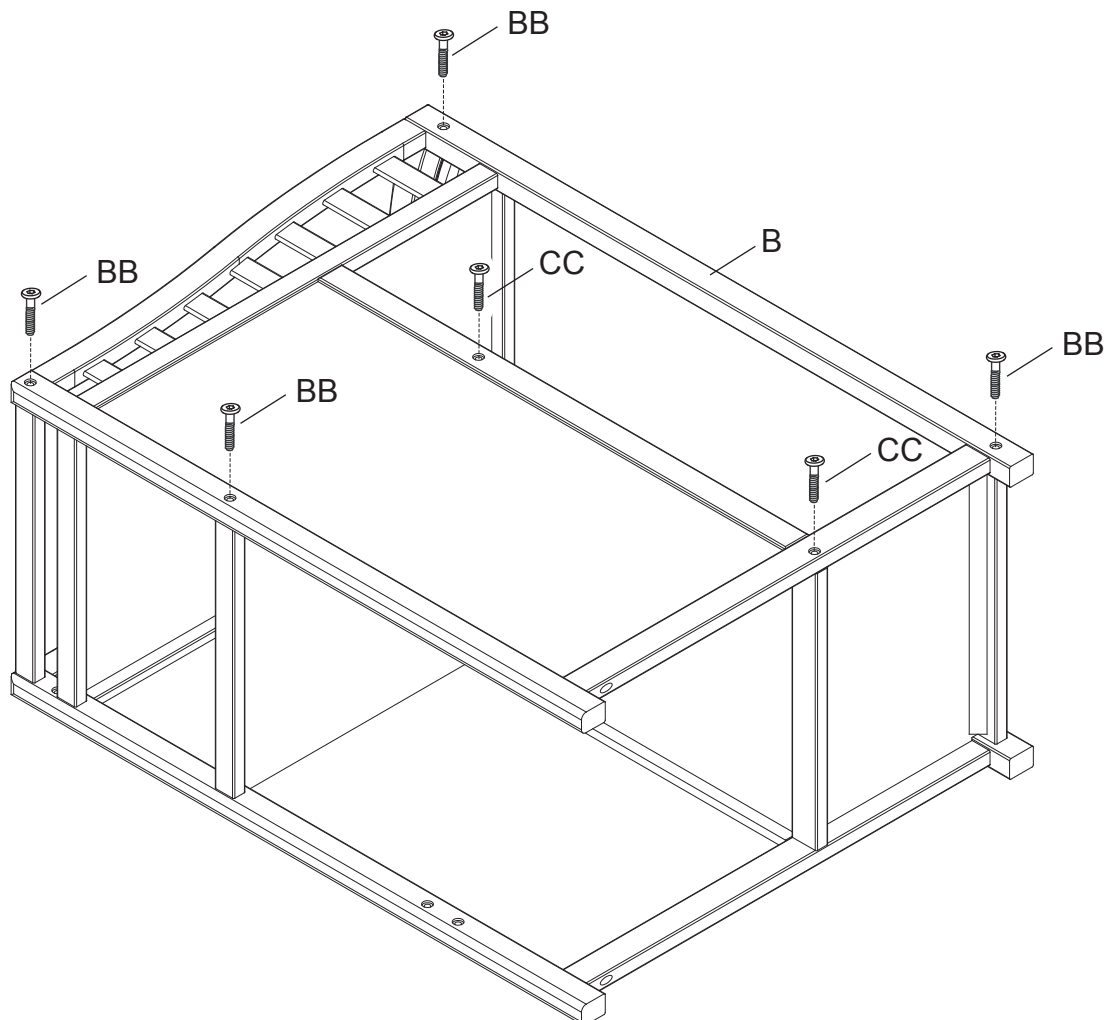


CC. M6 x 35 mm Bolt x 2



M4 Allen Wrench
Supplied

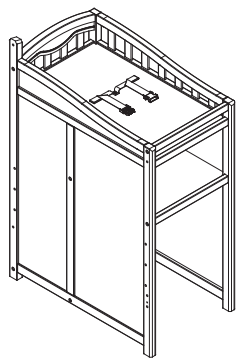
Carefully align all panels, tabs and pins with the holes and slots in the Changer Right Side (Part B). Insert (4) M6x40mm Bolts (Part BB) and (2) M6x35mm Bolts (Part CC) as shown. Tighten all bolts with the M4 Allen Wrench.



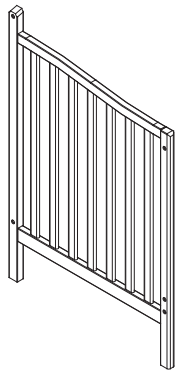
Section 2: Crib Assembly

Step 1

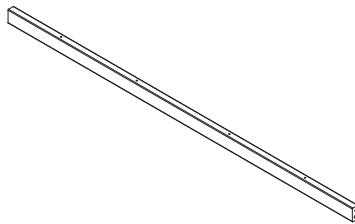
Parts and tools required to complete step.



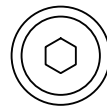
From Section 1
Step 4



M. Crib End x 1



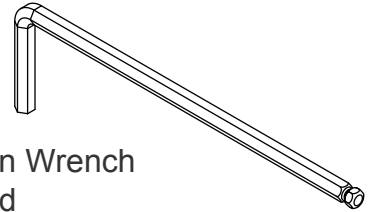
P. Stabilizer Bar x 1



BB. M6 x 40 mm Bolt x 2

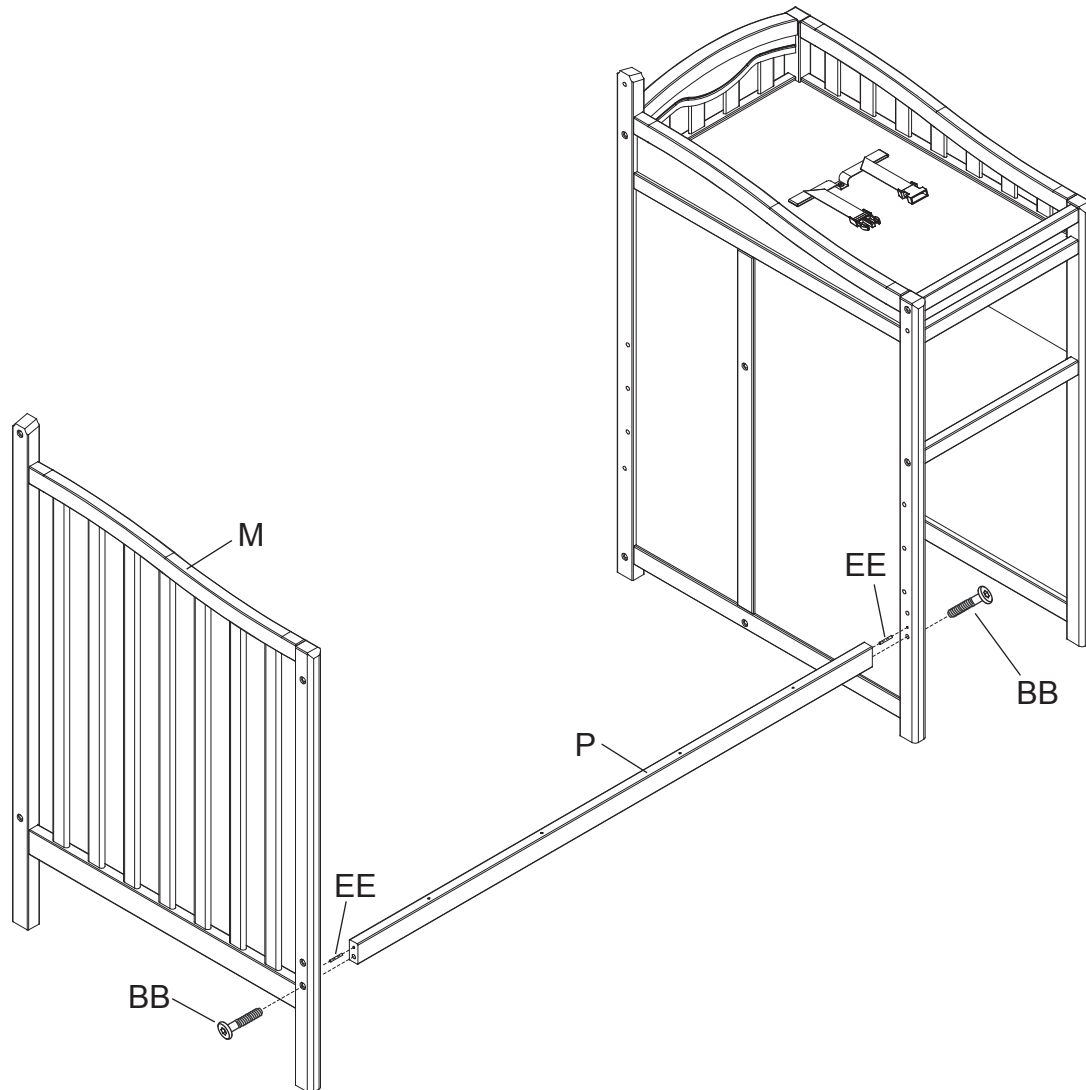


EE. M4 x 30 mm Metal Pin x 2



M4 Allen Wrench
Supplied

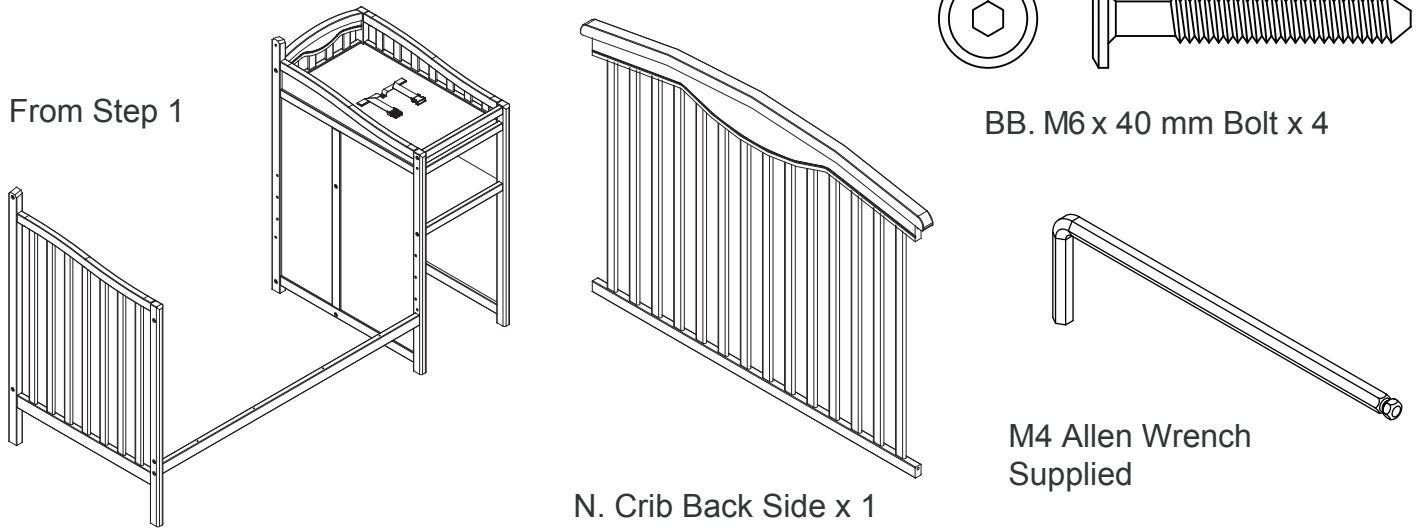
1. Insert (1) M4x30mm Metal Pin (Part EE) into the hole in each of the Stabilizer Bar (Part P).
2. Insert the Metal Pin into the hole in the Front Post of the Finished Changing Table. Attach with (1) M6x40mm Bolts (Part BB). Repeat above with the Crib End (Part M). Do Not tighten bolts completely. They will be tightened in Section 2 Step 4.



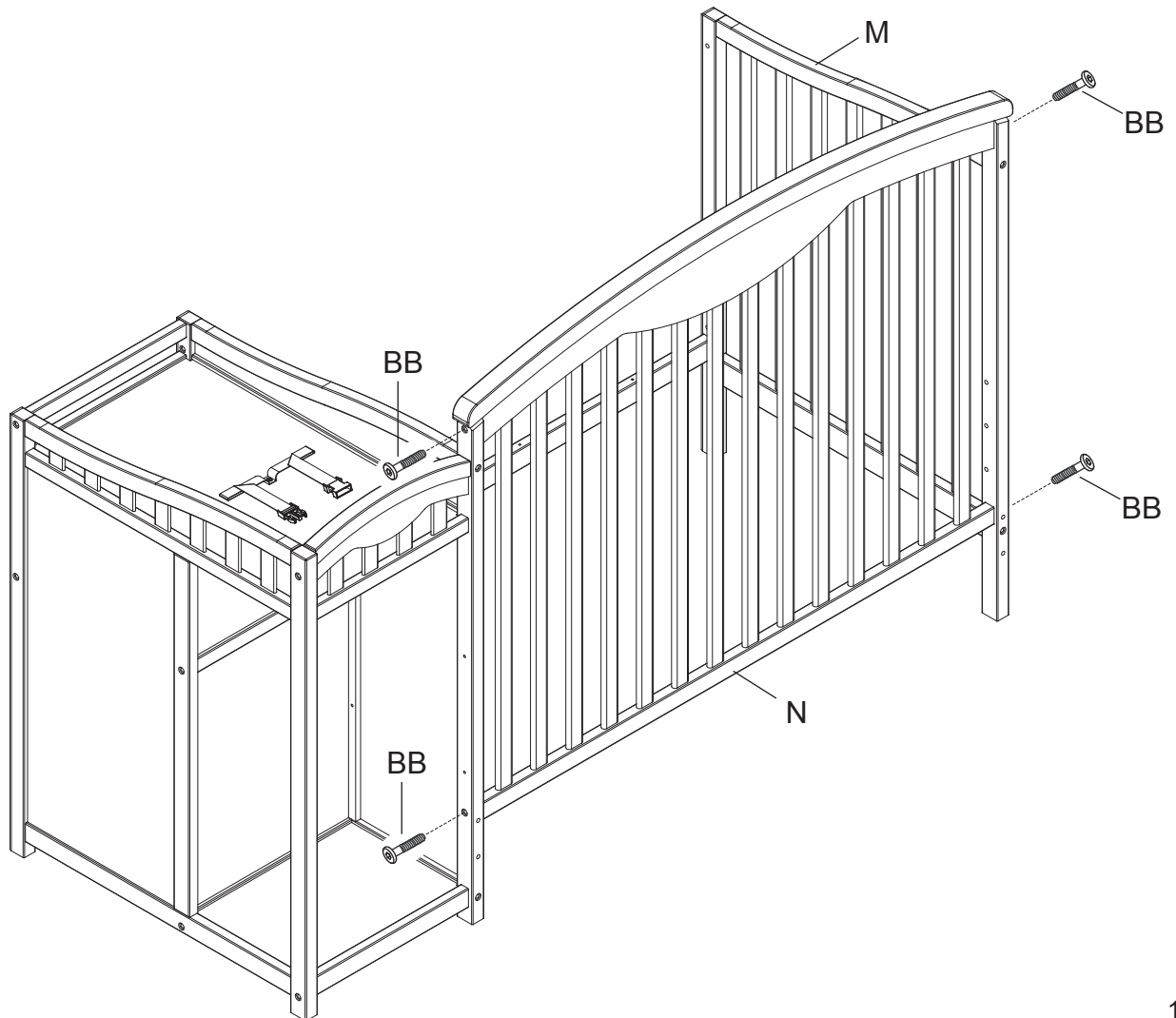
Section 2: Crib Assembly

Step 2

Parts and tools required to complete step.



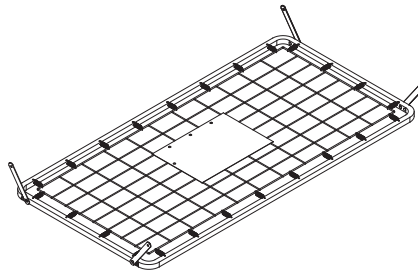
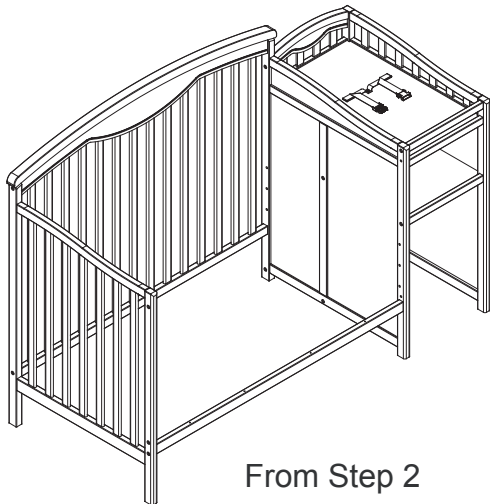
Attach the Crib Back Side (Part N) between the posts with (4) M6x40mm Bolts (Part BB). Tighten these bolts with the M4 Allen Wrench, Do Not tighten the Bolts installed in the pervious step.



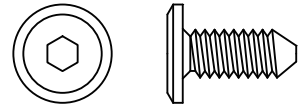
Section 2: Crib Assembly

Step 3

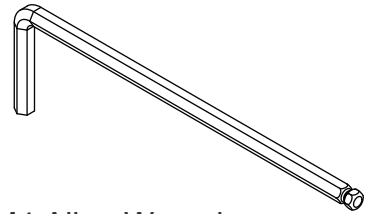
Parts and tools required to complete step.



GG. Mattress Support x 1

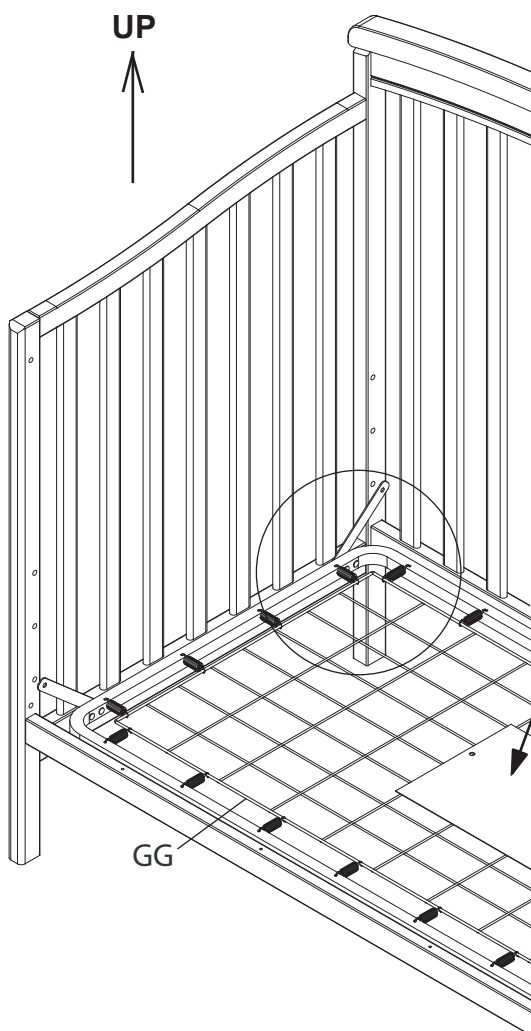



DD. M6 x 15 mm Bolt x 4



M4 Allen Wrench
Supplied

Attach the Mattress Support (Part GG) in all corners using (1) M6x15 mm Bolt (Part DD) in each corner. Tighten with the M4 Allen Wrench.

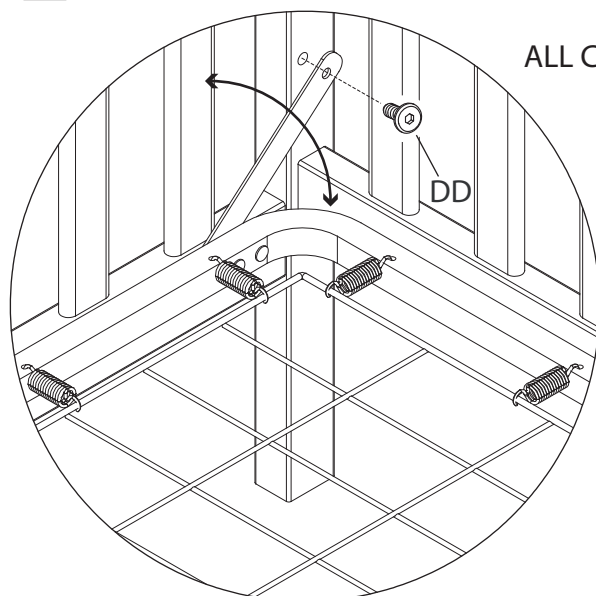


The  Warnings printed on the pouch attached to the mattress support must face up, the springs must face up. This crib has (3) adjustment positions, use the highest only for new borns, move the mattress down as the child grows.

WARNING:

Fall Hazard: When child is able to pull to a standing position, set mattress to lowest position and remove bumper pads, large toys and other objects that could serve as steps for climbing out.

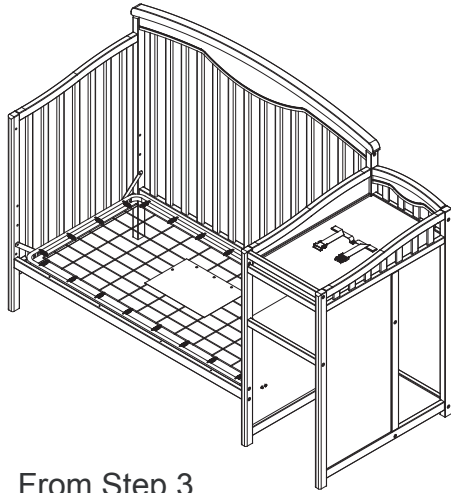
 **WARNINGS ON POUCH MUST FACE UP.**



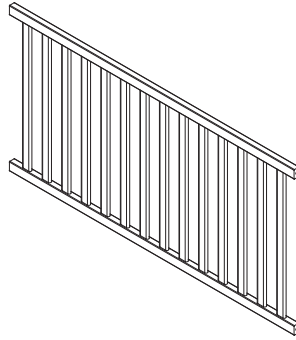
Section 2: Crib Assembly

Step 4

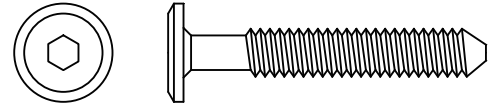
Parts and tools required to complete step.



From Step 3



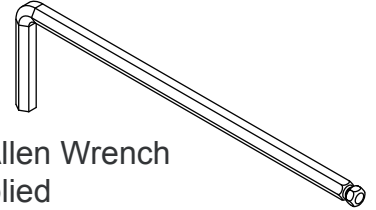
R. Crib Front Side x 1



BB. M6 x 40 mm Bolt x 4

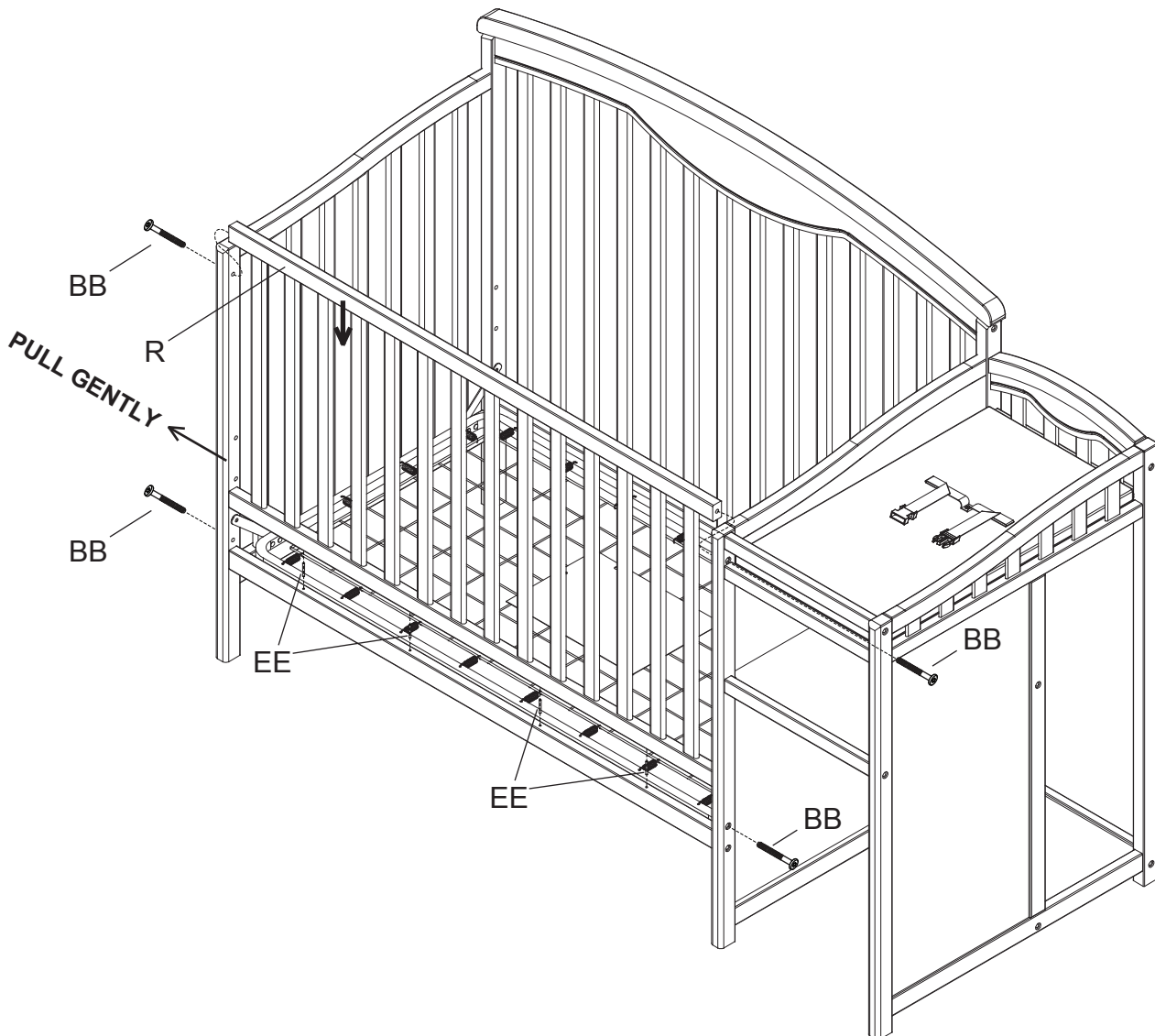


EE. M4 x 30 mm Metal Pin x 4



M4 Allen Wrench
Supplied

Attach the Crib Front Side (Part R) to the Assembly from step 3 using (4) M4x30mm Metal Pin (Part EE) and (4) M6x40mm Bolts (Part BB). Tighten all Bolts, including the Bolt installed loosely in Section 2 Step 1, with the M4 Allen Wrench.



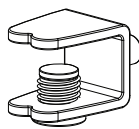
Section 2: Crib Assembly

Step 5

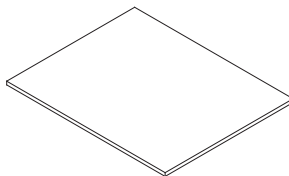
Parts and tools required to complete step.



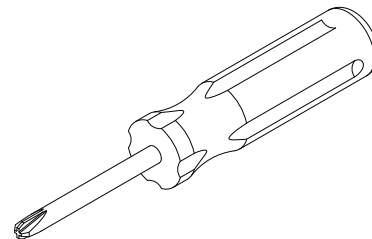
From Step 4



AA. Shelf Clips x 8

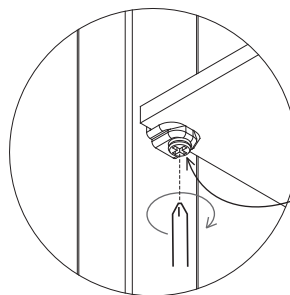


S. Removable Shelf x 2

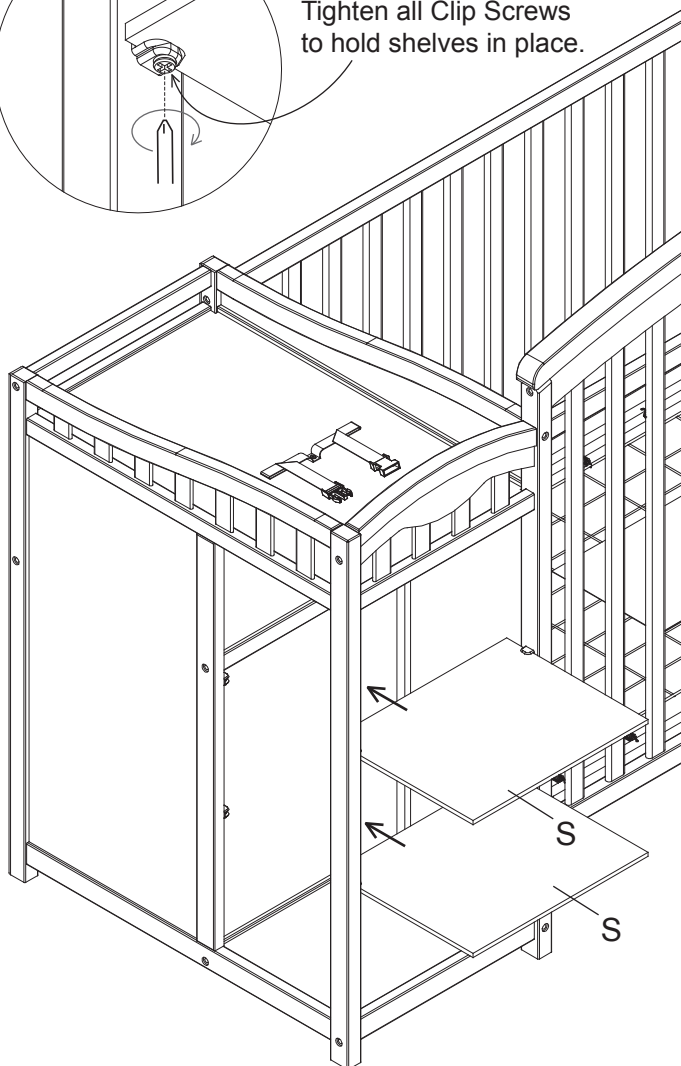
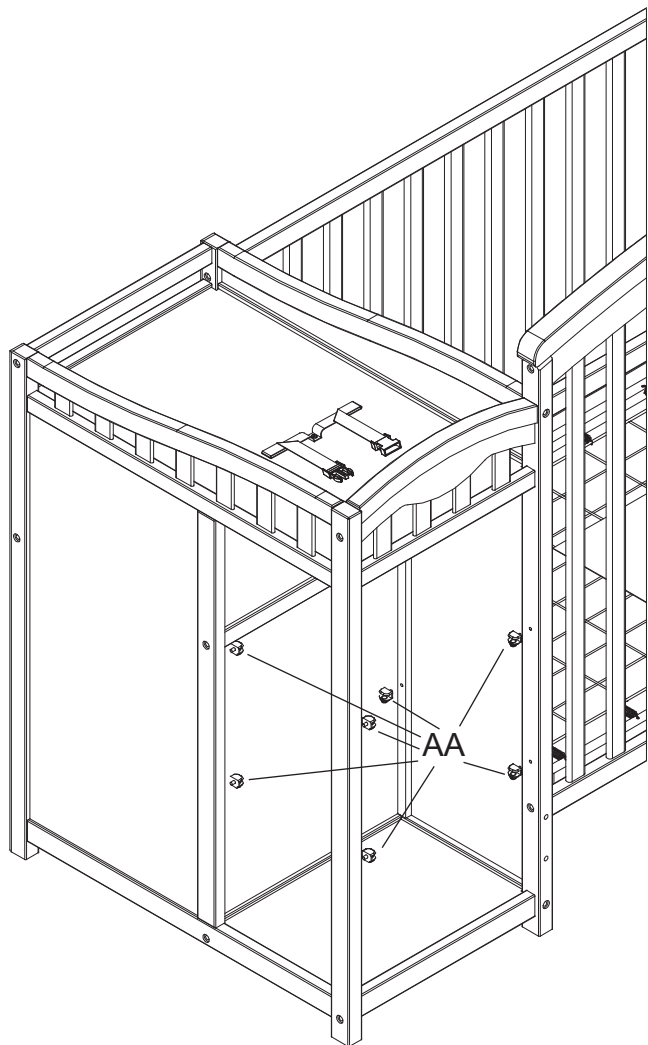


Phillips Screwdriver
Supplied

Insert the Shelf Clips (Part AA) in the holes in the posts of the Changing Table. Place the Removable Shelves (Part K) inside the Shelf Clips. Tighten the screws in the Shelf Clips with the Phillips Screwdriver.



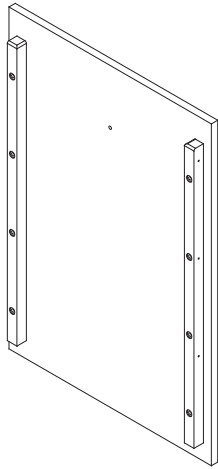
Tighten all Clip Screws
to hold shelves in place.



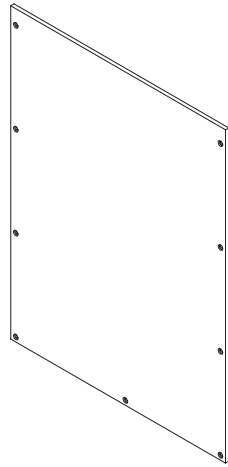
Section 3: Hamper Assembly

Step 1

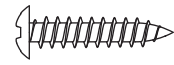
Parts and tools required to complete step.



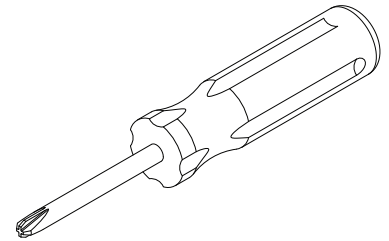
T. Hamper Front x 1



U. Hamper Side x 2



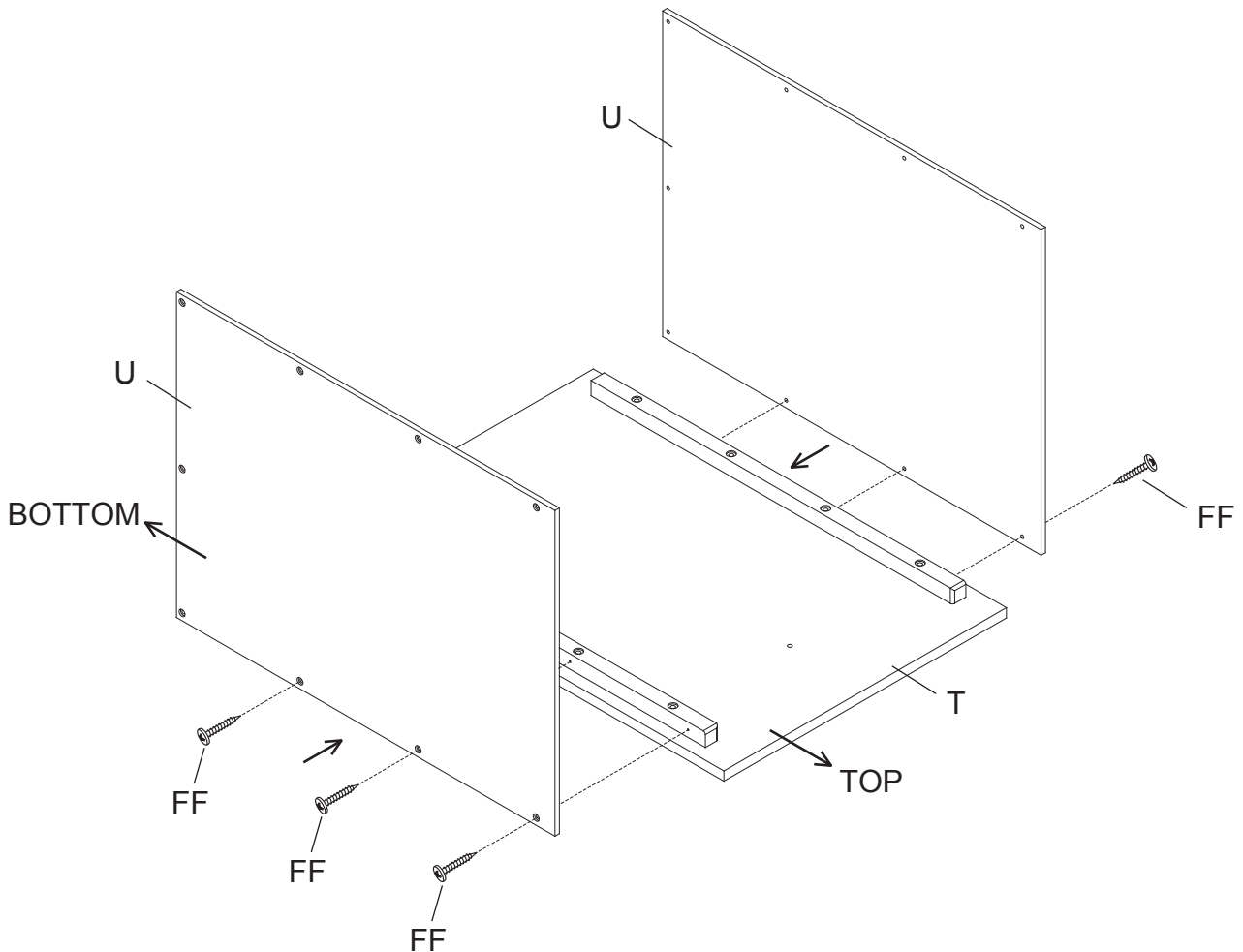
FF. 19 mm Screw x 6



Phillips Screwdriver
Supplied

Attach (2) Hamper Sides (Part U) to the Hamper Front (Part T) with (3) 19mm Screws (Part FF) for each. Tighten with the Phillips Screwdriver.

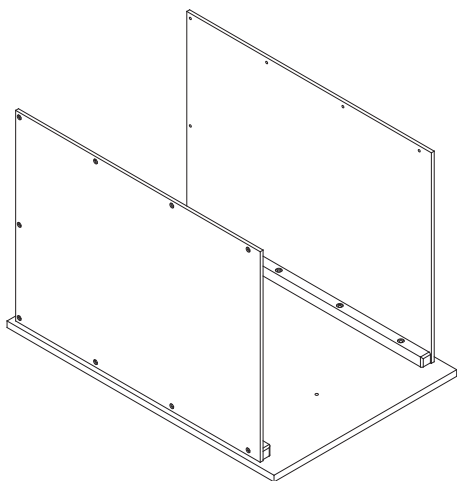
Ensure the three holes in the Hamper Sides are at the bottom of the front. The hole in the Hamper Front is at the top.



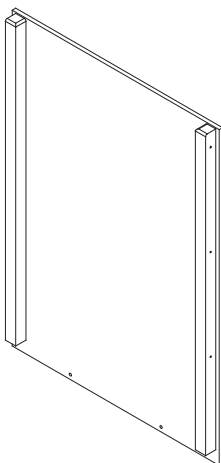
Section 3: Hamper Assembly

Step 2

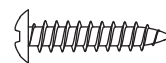
Parts and tools required to complete step.



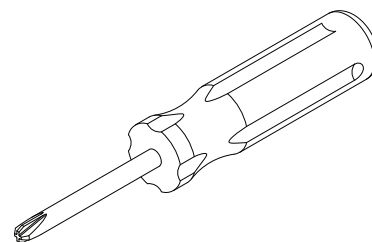
From Step 1



V. Hamper Back x 1



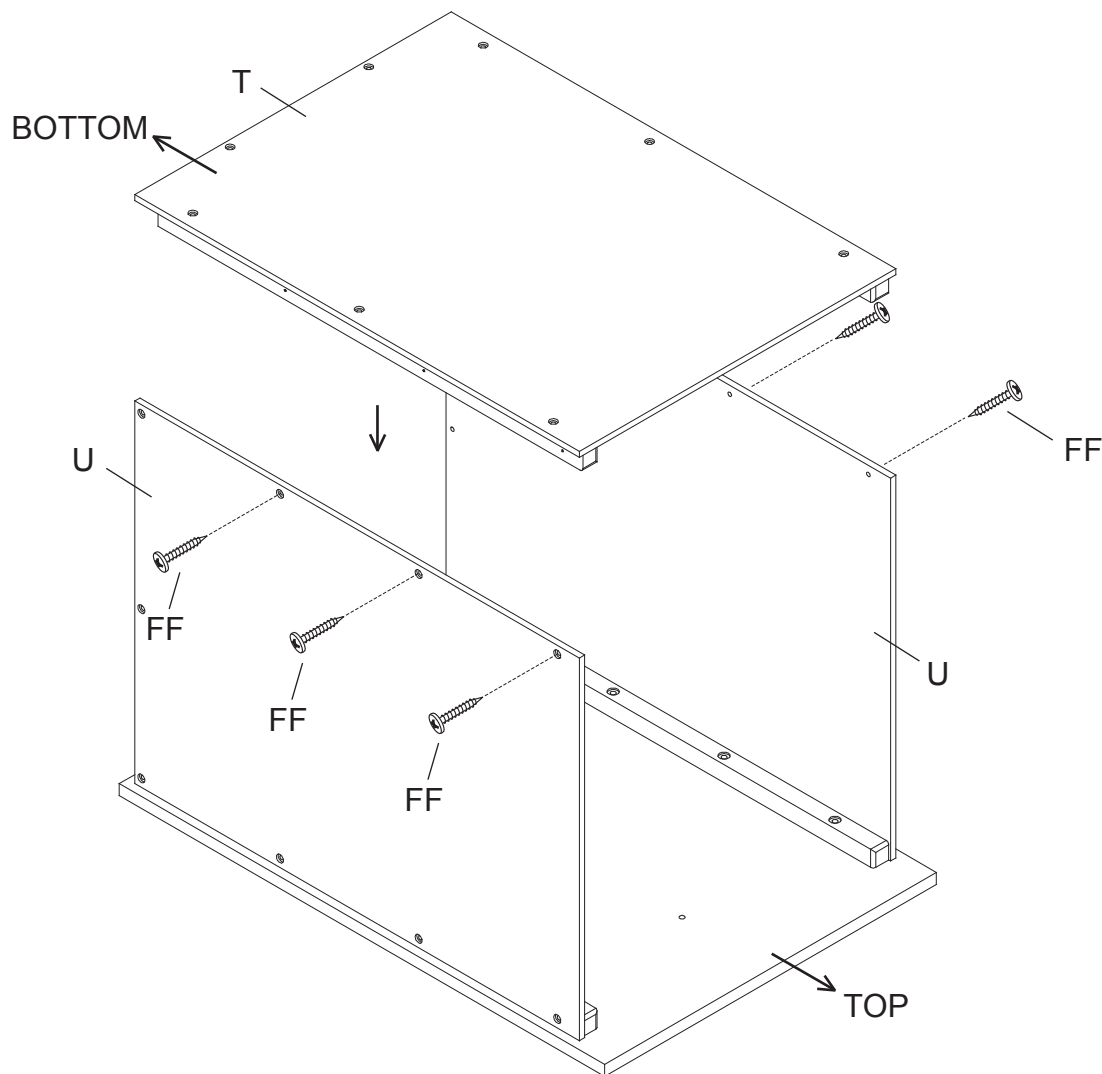
FF. 19 mm Screw x 6



Phillips Screwdriver
Supplied

Attach the Hamper Back (Part V) to the Hamper Sides (Part U) with (3) 19mm Screws (Part FF) for each. Tighten with the Phillips Screwdriver.

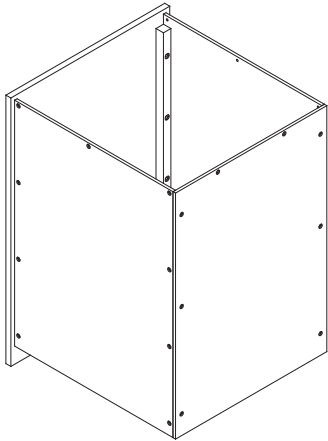
Ensure that the edges of the back line up with the edges of the sides.



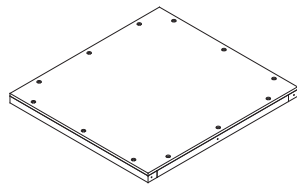
Section 3: Hamper Assembly

Step 3

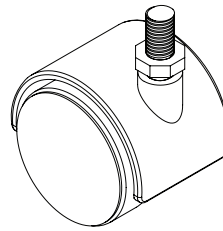
Parts and tools required to complete step.



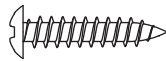
From Step 2



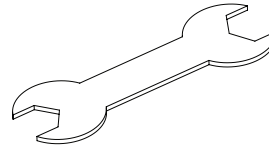
W. Hamper Bottom x 1



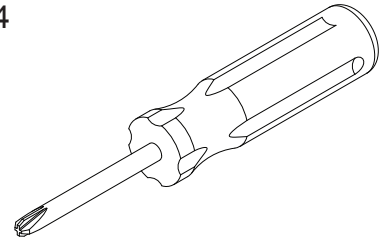
Z. Caster x 4



FF. 19 mm Screw x 8

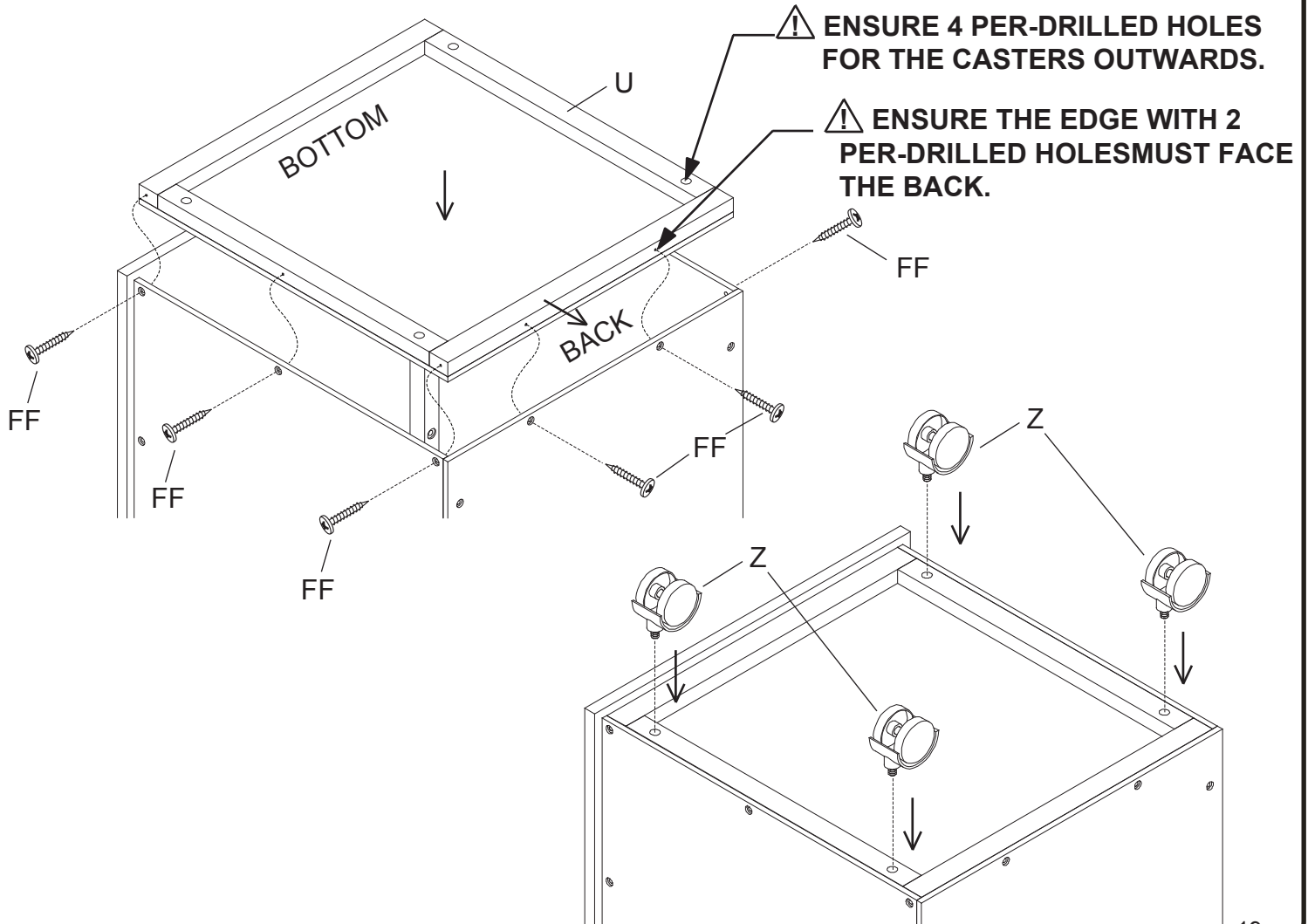


Caster Wrench
Supplied



Phillips Screwdriver
Supplied

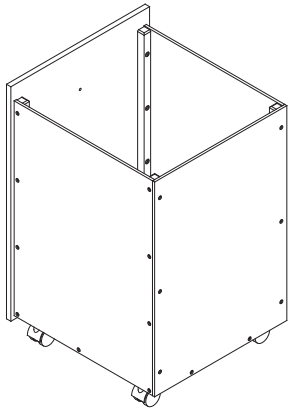
1. Attach the Hamper Bottom (Part W) to the Assembly From Step 2 with (8) 19mm Screws (Part FF). Tighten with the Phillips Screwdriver. The edge with (2) Pre-drilled holes must face the back.
2. Attach (4) Casters (Part Z) to the bottom in the threaded holes. Tighten with the Caster Wrench.



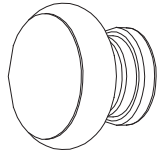
Section 3: Hamper Assembly

Step 4

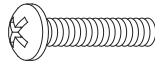
Parts and tools required to complete step.



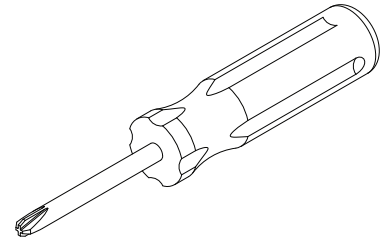
From Step 3



X. Hamper Handle x 1

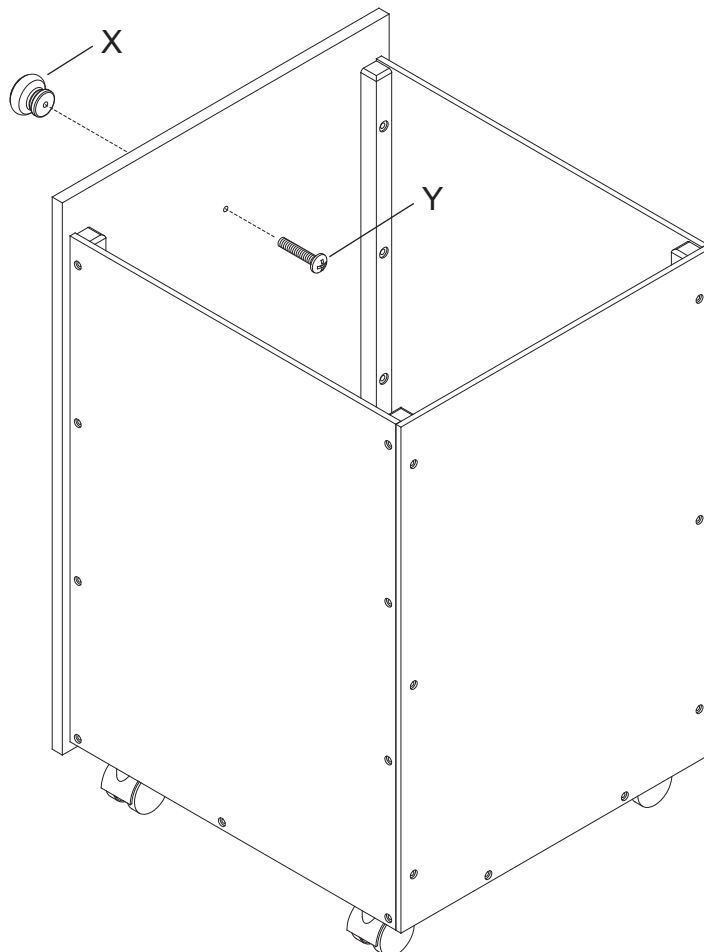


Y. Handle Bolt x 1



Phillips Screwdriver
Supplied

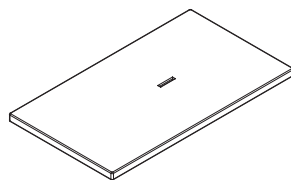
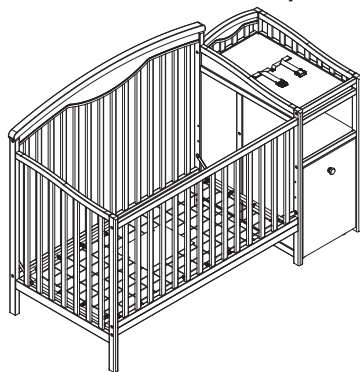
Attach the Hamper Handle (Part X) to the Assembly from Step 3 using (1) Handle Bolt (Part Y). Tighten with the Phillips Screwdriver.



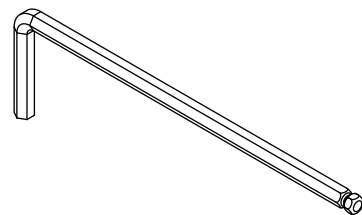
Section 4:

Step 1: Changing Pad Attachment and Use

Parts and tools required to complete step.

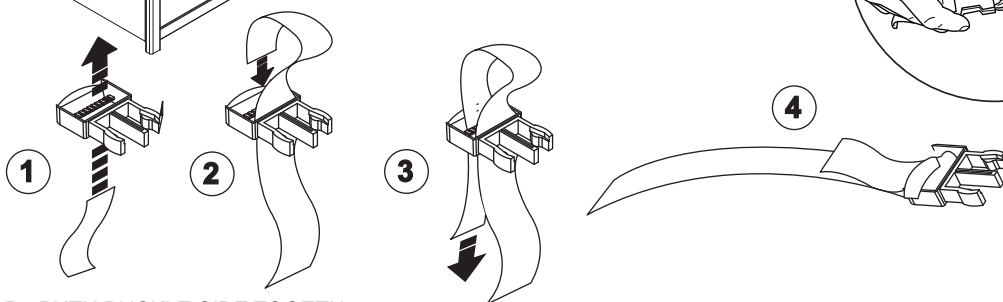
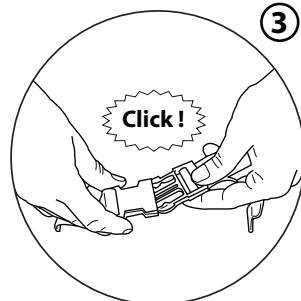
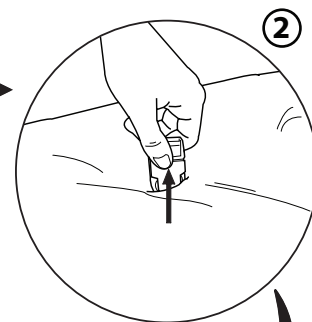
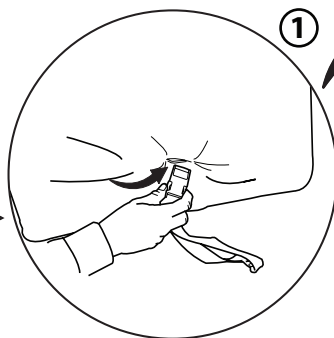
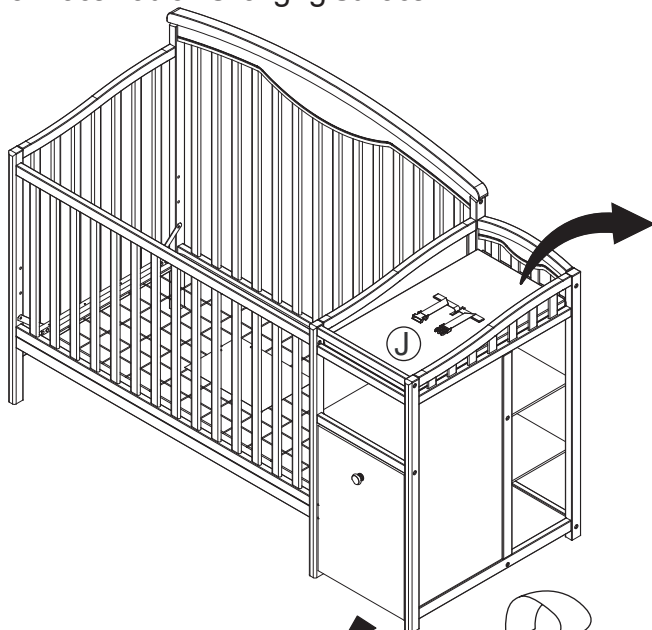


J. Changer Pad x 1



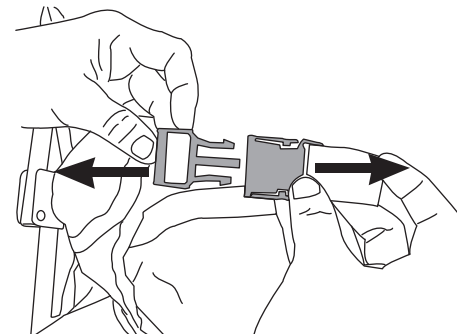
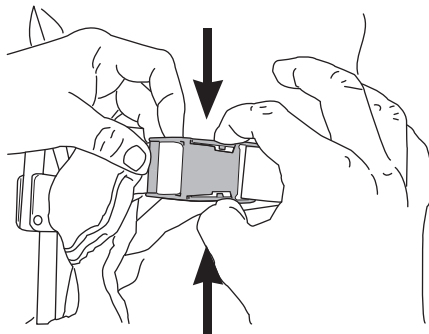
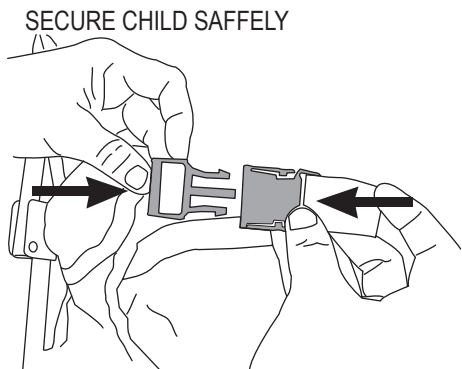
M4 Allen Wrench
Supplied

1. Check that the bolt securing the strap is tight using M4 Allen Wrench.
2. Insert the strap through the hole in the Changer Pad (Part J).
3. Place Pad on Changing Surface.



TO FASTEN STRAP - PUTH BUCKLE SIDE TOGETH-
ERBESURE BUCKLE IS FULLY FASTENED TO
SECURE CHILD SAFFELY

TO RELEASE PRESS BOTH TABS AND PULL APART



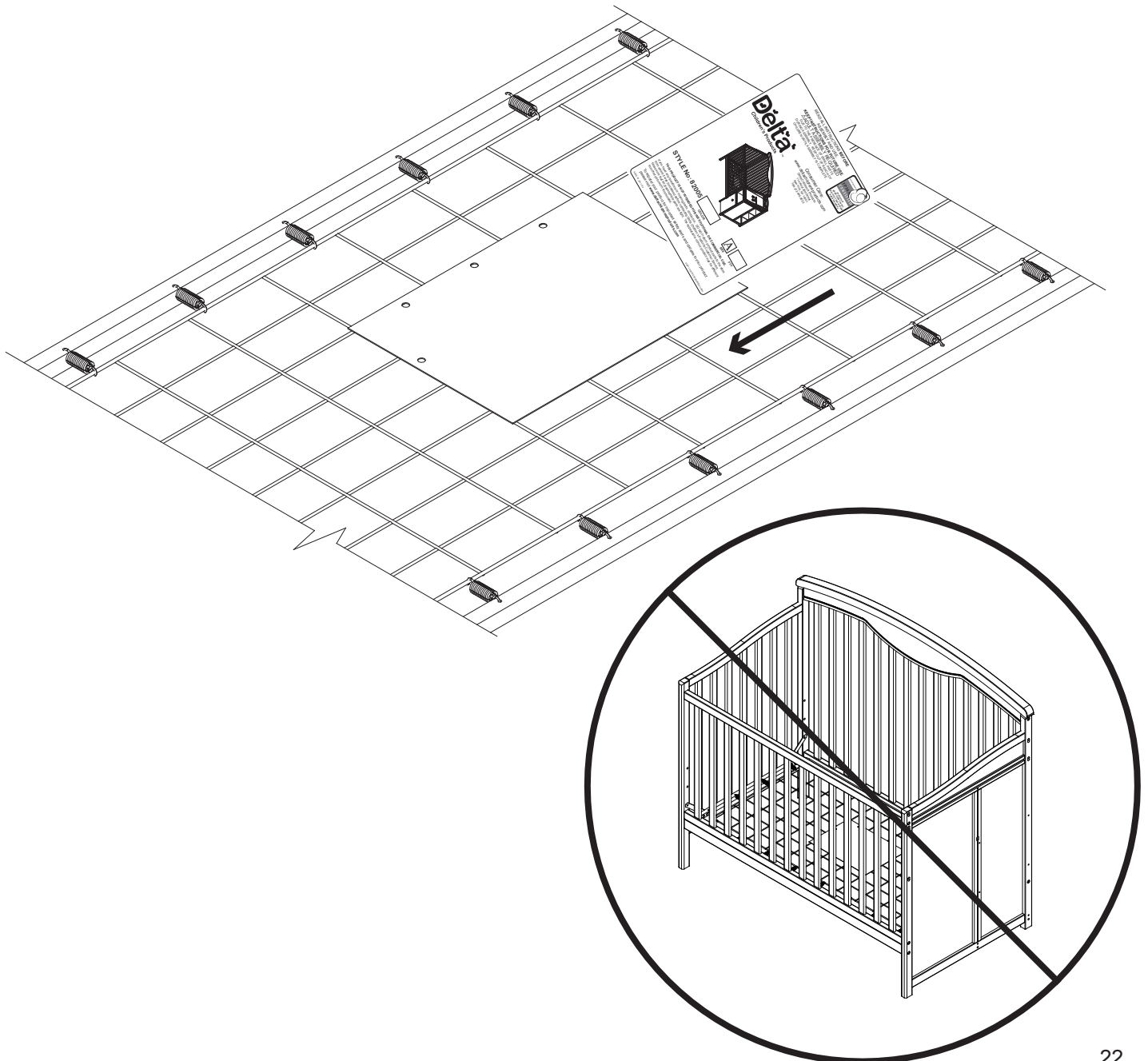
Section 4: Step 2: Storing Instruction Booklet

Parts and tools required to complete step.



Assembly Instruction
Booklet

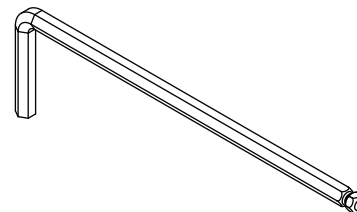
Store the assembly instruction booklet in the pouch attached to the mattress support. Store all parts and tools separately, in a safe place.



Section 5: Toddler Bed Conversion

Step 1

Parts and tools required to complete step.

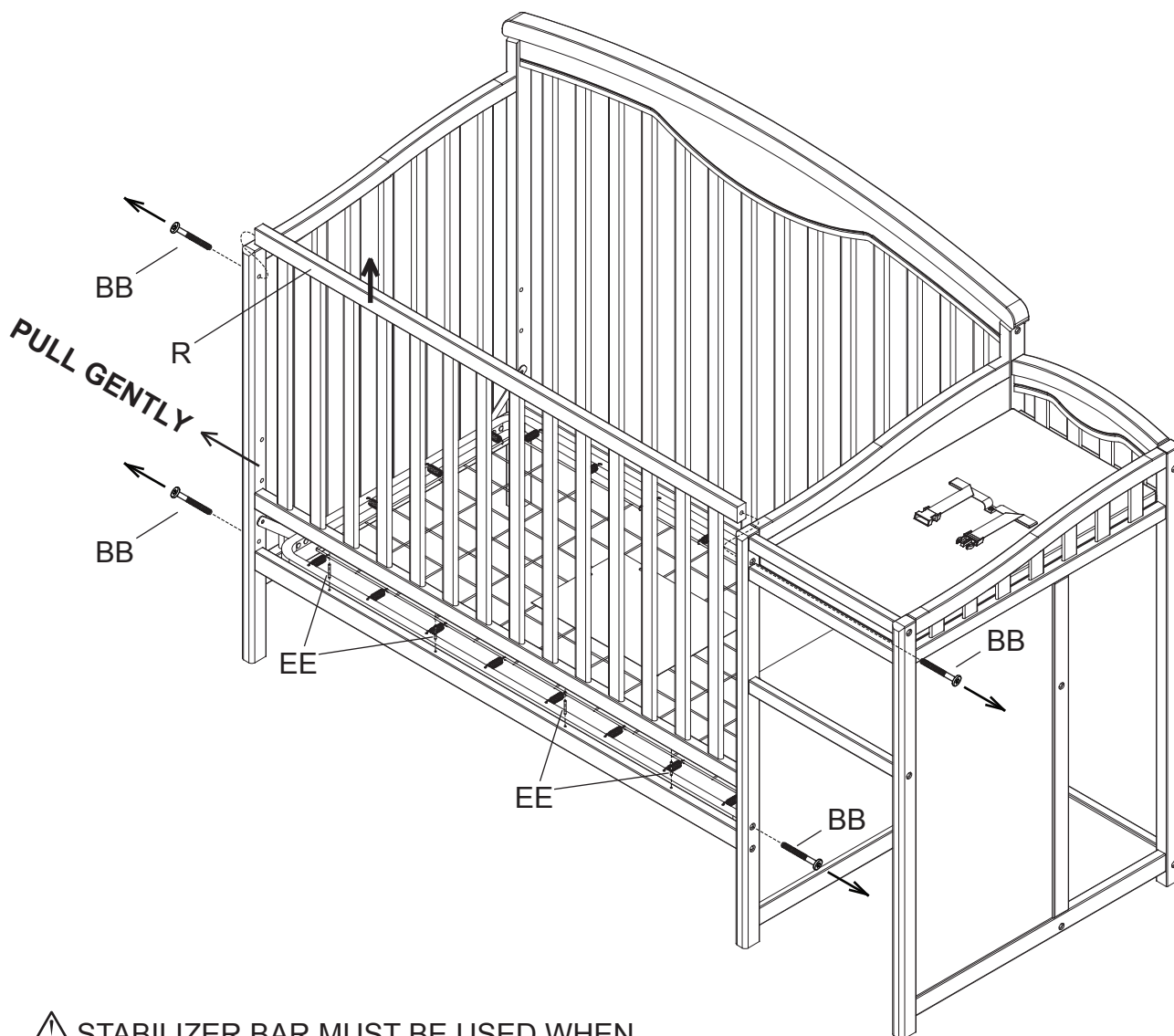


M4 Allen Wrench
Supplied

Remove the (4) M6x45mm Bolts (Part BB) and (4) M4x30 Metal Pins (Part EE) installed in Section 2 Step 4 to remove the Crib Front Side (Part R) using the M4 Allen Wrench.

The Mattress Support Must be in the lowest position.


Store all hardware safely.

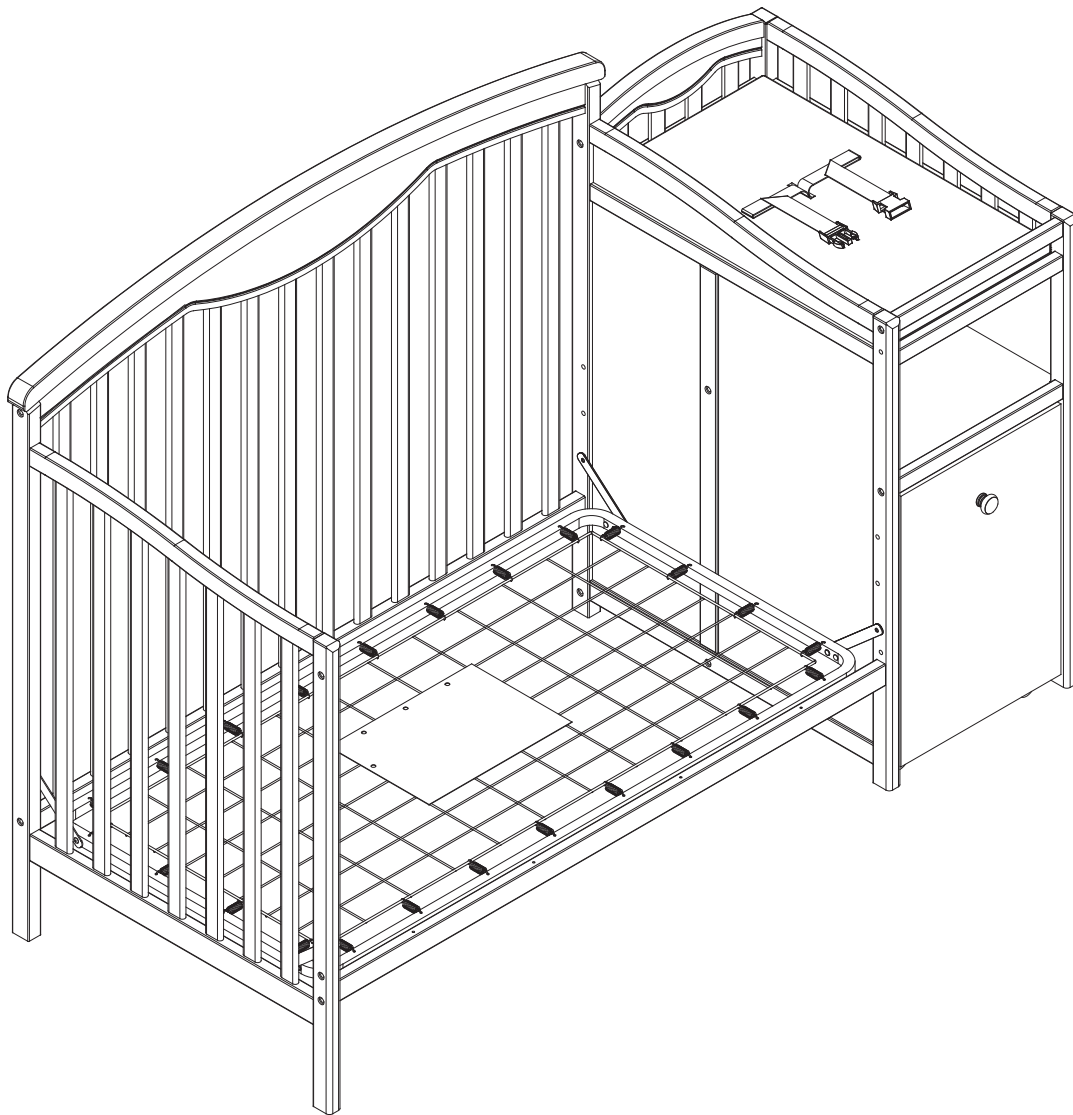


 STABILIZER BAR MUST BE USED WHEN
CONVERTED TO TODDLER BED AND DAYBED.

Section 5: Toddler Bed Conversion Step 2

 **WARNING:**
**SEE PAGE 3 FOR
TODDLER BED
WARNINGS**

 **WARNING:**
THE STABILIZER BAR MUST BE USED TO AVOID THE FORMATION OF A GAP
BETWEEN THE MATTRESS AND THE BED THAT COULD CAUSE AN ENTRAPMENT.

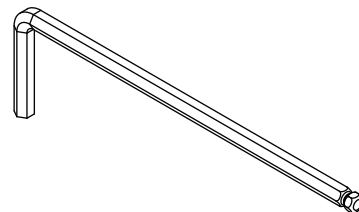


The Finished Toddler Bed can also be used as a Loveseat Sofa.

Section 6: Full Size Bed Conversion

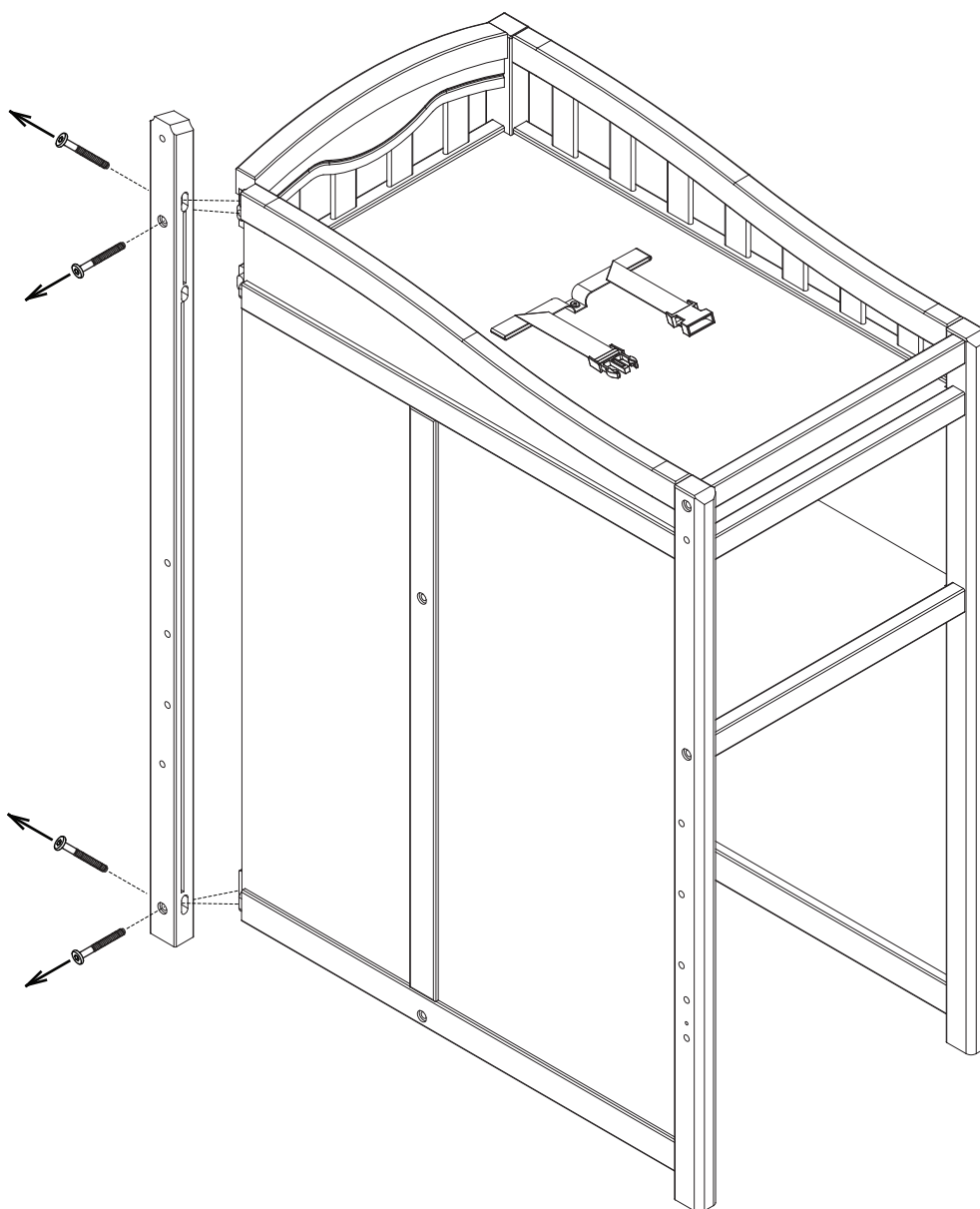
Step 1

Parts and tools required to complete step.



M4 Allen Wrench
Supplied

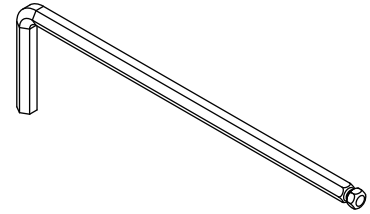
Remove Shelves and Shelf Clips. Disassemble the changer unit by reversing all steps in section 1: Changer Assembly. Remove the post from the Left Changer Side (Part A) by removing the bolts. Store all parts carefully for future use, see page 3 for information.



Section 6: Full Size Bed Conversion

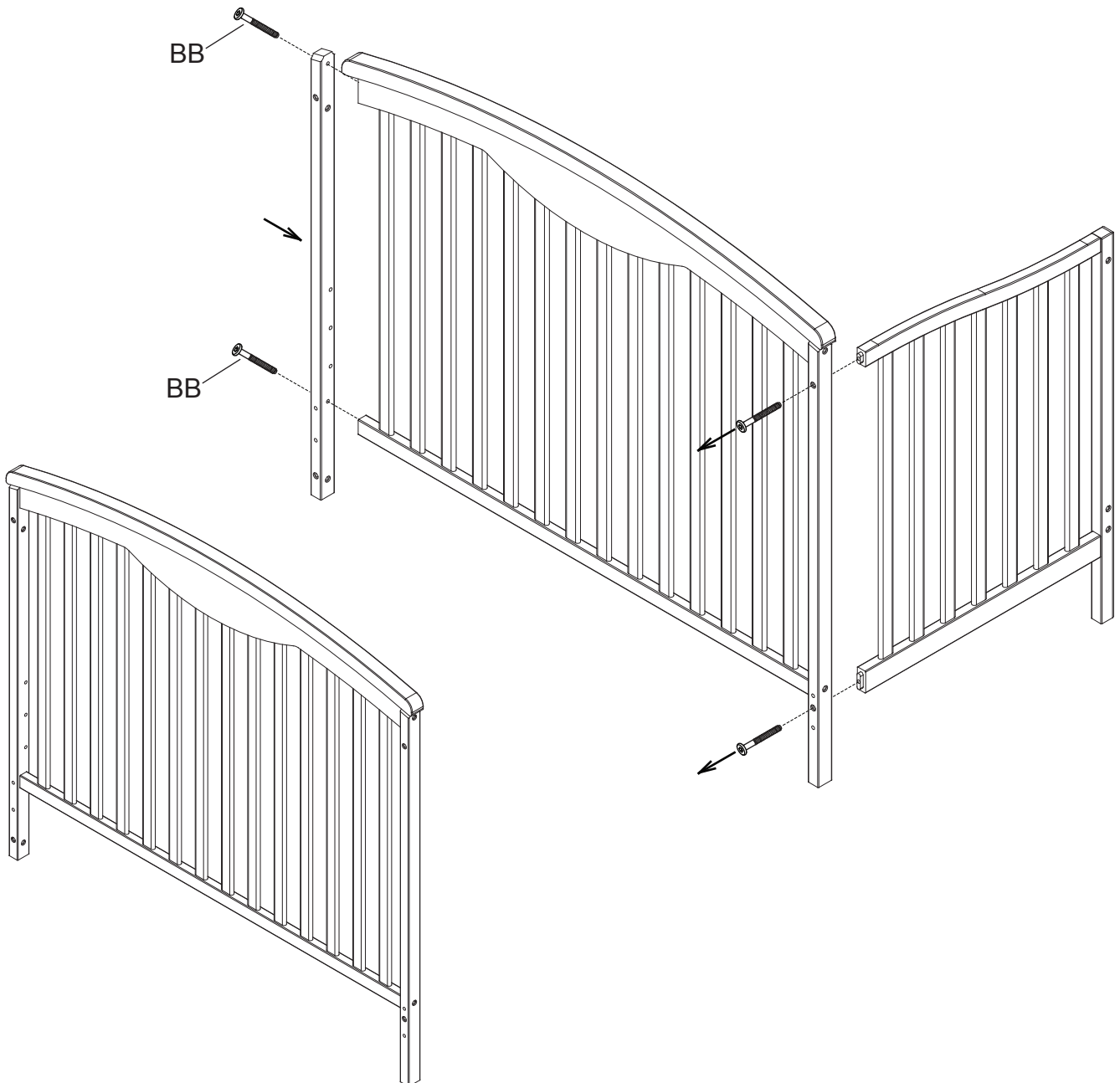
Step 2

Parts and tools required to complete step.



M4 Allen Wrench
Supplied

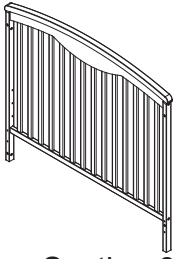
Disassemble the Crib End by removing the preassembled bolts with the M4 Allen Wrench. Attach the post removed from the changer in the previous step to the end of the Crib Back Side where it was previously attached using (2) M6x45mm (Part BB). Tighten bolts with the M4 Allen Wrench. Store all parts and hardware in a safe place. See page 3 for information.



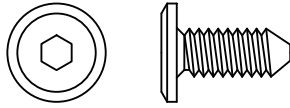
Section 6: Full Size Bed Conversion

Step 3

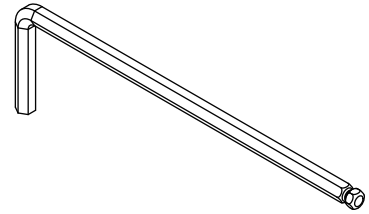
Parts and tools required to complete step.



From Section 6 Step 2

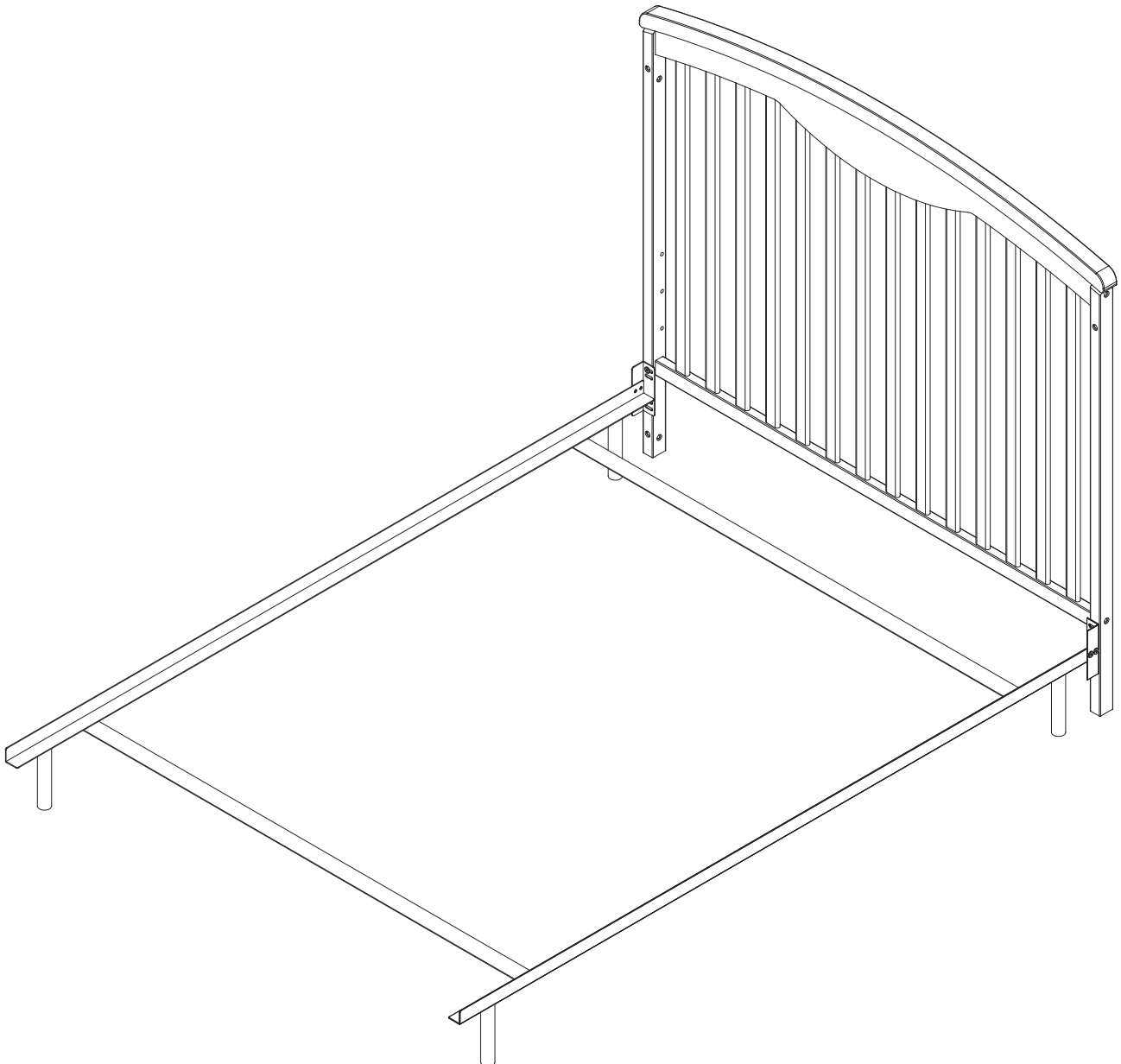


DD. M6 x 15 mm Bolt x 4



M4 Allen Wrench
Supplied

Attach Bed Frame to the Headboard (From Section 6 Step 2) using (4) M6x15mm Bolts (Part DD). Follow all instructions supplied with the Bed Frame. **Note:** Bed Frame system is not included, see your furniture or mattress retailer. Contact Delta Children's Products for information or with questions.





Children's Products

Consumer Care:

www.DeltaChildren.com

Delta Children's Products

114 West 26th Street

New York, NY 10001

Tele.212-645-9033

Warranty: This Delta Crib is warranted to be free from defects for a period of 1 year from the date of purchase under normal use. This warranty extends only to the original retail purchaser and is valid only when supplied with proof of purchase, or if received as a gift, when the registration is on file with Delta.

To register your product for important safety alerts and updates to your product please visit www.DeltaChildren.com

Please do not return this item to the store before contacting us about missing parts or with any questions.

To report a problem, please log on to www.DeltaChildren.com and click the Consumer Care Tab, or contact us by phone at (212) 645-9033.

In the event that you need to contact our customer service department please have the Style Number and Lot Number available. Use the space below to make note of those numbers. They can be found on the label on the Crib End bottom rail.

STYLE No: 82005

COLOR

REV

FTY

Lot No. : _____

Pack Date: _____

Date of Purchase: _____ (you should also keep your receipt)