

Delta™

Children's Products

Customer Service:

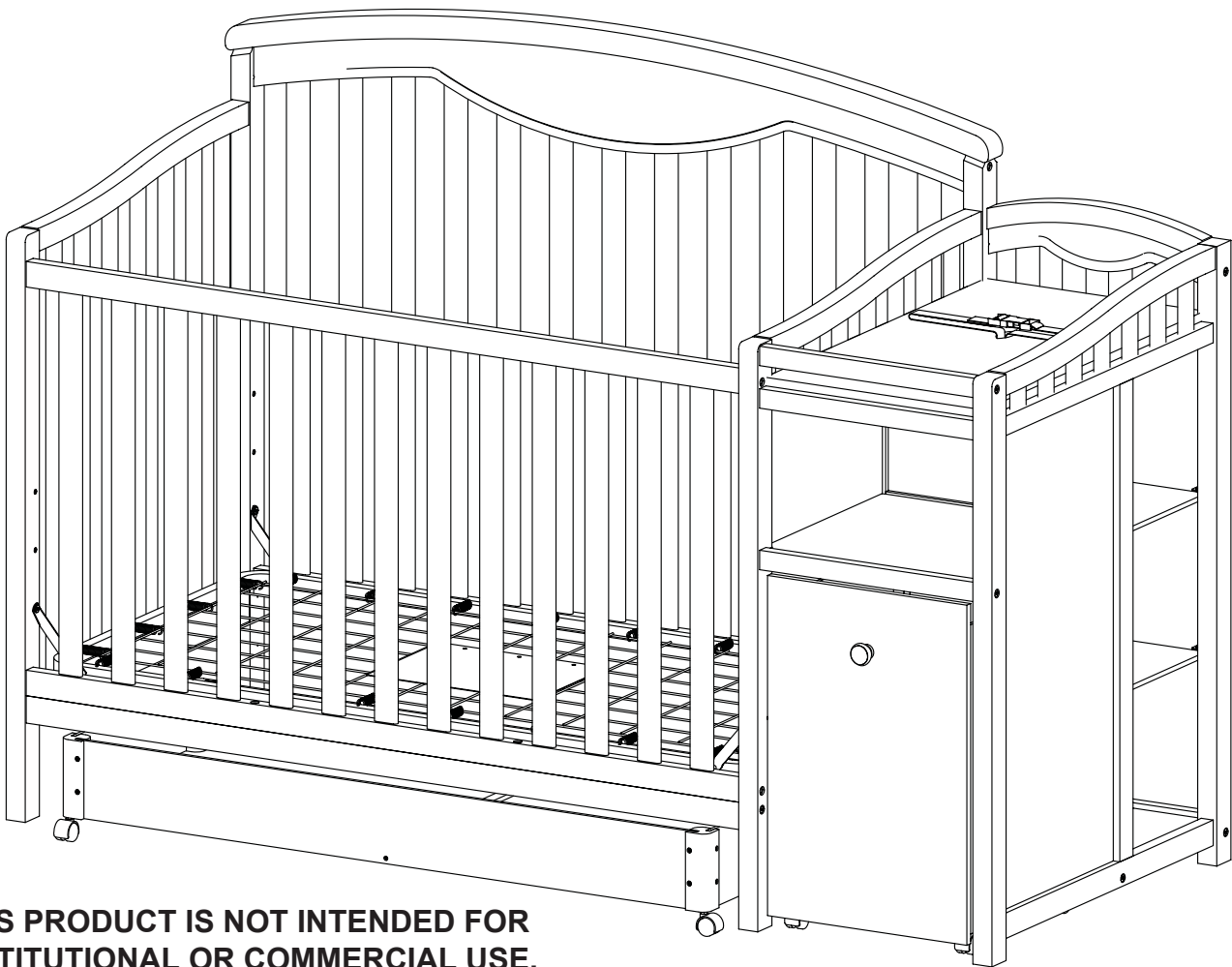
Web Site: www.deltachildrenproducts.com

Delta Children's Products

114 West 26th Street

New York, NY 10001

Tele. 212-645-9033



**THIS PRODUCT IS NOT INTENDED FOR
INSTITUTIONAL OR COMMERCIAL USE.**

If you have any questions or missing parts, contact us. **DO NOT** return product parts to the store from where it was purchased before calling us at:

(212) 645-9033

Before assembly read these instructions and all warnings included. Make sure that all pre-assembled parts are tight. Store this instruction booklet for future reference.

The appearance of your crib may be different from that pictured in this booklet.

ADULT ASSEMBLY REQUIRED due to presence of small parts during assembly.

⚠CAUTION: ANY MATTRESS USED IN THIS CRIB MUST BE AT LEAST 27 1/4 INCHES BY 51 5/8 INCHES WITH A THICKNESS NOT EXCEEDING 6 INCHES.

⚠WARNING: CRIB

INFANTS CAN SUFFOCATE ON SOFT BEDDING. NEVER ADD A PILLOW, COMFORTER OR PADDING.

FAILURE TO FOLLOW THESE WARNINGS AND THE ASSEMBLY INSTRUCTIONS COULD RESULT IN SERIOUS INJURY OR DEATH.

TO REDUCE THE RISK OF SIDS, PEDIATRICIANS RECOMMEND HEALTHY INFANTS BE PLACED ON THEIR BACKS TO SLEEP, UNLESS OTHERWISE ADVISED BY YOUR PHYSICIAN.

ADULT ASSEMBLY REQUIRED DUE TO SMALL PARTS.

*READ ALL INSTRUCTIONS BEFORE ASSEMBLING CRIB. **KEEP INSTRUCTIONS FOR FUTURE USE.**

***STRANGULATION HAZARD:** STRINGS CAN CAUSE STRANGULATION! **DO NOT** PLACE ITEMS WITH A STRING AROUND A CHILD'S NECK, SUCH AS HOOD STRINGS OR PACIFIER CORDS. **DO NOT** SUSPEND STRINGS OVER A CRIB OR ATTACH STRINGS TO TOYS.

***STRANGULATION HAZARD:** TO HELP PREVENT STRANGULATION TIGHTEN ALL FASTENERS. A CHILD CAN TRAP PARTS OF THE BODY OR CLOTHING ON LOOSE FASTENERS.

***STRANGULATION HAZARD:** **DO NOT** PLACE CRIB NEAR WINDOW WHERE CORDS FROM BLINDS OR DRAPES MAY STRANGLE A CHILD.

***FALL HAZARD:** WHEN CHILD IS ABLE TO PULL TO A STANDING POSITION, SET MATTRESS TO LOWEST POSITION AND REMOVE BUMPER PADS, LARGE TOYS AND OTHER OBJECTS THAT COULD SERVE AS STEPS FOR CLIMBING OUT. THIS CRIB HAS AN ADJUSTABLE MATTRESS SUPPORT. FOR THE CONVENIENCE OF THE PARENT WHEN THE BABY IS VERY SMALL, THE MATTRESS SUPPORT MAY BE USED IN THE HIGHEST POSITION. IMPORTANT: WITH THE MATTRESS SUPPORT AND MATTRESS IN THE HIGHEST POSITION, BE ABSOLUTELY SURE THAT THE TOP OF THE FRONT CRIB SIDE IS AT LEAST 3 INCHES HIGHER THEN THE TOP SURFACE OF THE MATTRESS. IF IT IS NOT, LOWER THE MATTRESS SUPORT AND THE MATTRESS TO THE NEXT HIGHEST POSITION.

***FALL HAZARD:** WHEN CHILD IS ABLE TO CLIMB OUT OR REACHES THE HEIGHT OF 35 IN. (90 CM), THE CRIB SHALL NO LONGER BE USED, THE CHILD SHOULD BE PLACED IN A YOUTH OR REGULAR BED.

*CHECK THIS PRODUCT FOR DAMAGED HARDWARE, LOOSE JOINTS, MISSING PARTS OR SHARP EDGES BEFORE AND AFTER ASSEMBLY AND FREQUENTLY DURING USE. **DO NOT USE CRIB** IF ANY PARTS ARE MISSING, DAMAGED OR BROKEN. CONTACT DELTA CHILDRENS PRODUCTS FOR REPLACEMENT PARTS AND INSTRUCTIONAL LITERATURE IF NEEDED. DO NOT SUBSTITUTE PARTS.

***DO NOT** USE A WATER MATTRESS WITH THIS CRIB.

*IF REFINISHING, USE A NON-TOXIC FINISH SPECIFIED FOR CHILDREN'S PRODUCTS.

***NEVER** USE PLASTIC SHIPPING BAGS OR OTHER PLASTIC FILM AS MATTRESS COVERS BECAUSE THEY CAN CAUSE SUFFOCATION.

*INFANTS CAN SUFFOCATE IN GAPS BETWEEN CRIB SIDES AND A MATTRESS THAT IS TOO SMALL.

*ENSURE A SAFE ENVIRONMENT FOR THE CHILD BY CHECKING REGULARLY, BEFORE PLACING THE CHILD IN THE CRIB, THAT EVERY COMPONENT IS PROPERLY AND SECUERLY IN PLACE.

*TO AVOID HEAD INJURY, DO NOT ALLOW ANY CHILD TO PLAY UNDERNEATH THE CRIB.

WARNING:TODDLER BED

FAILURE TO FOLLOW THESE WARNINGS AND THE ASSEMBLY INSTRUCTIONS COULD RESULT IN SERIOUS INJURY OR DEATH FROM ENTRAPMENT OR STRANGULATION. **DO NOT** PLACE BED NEAR WINDOWS WHERE CORDS FROM BLINDS OR DRAPES MAY STRANGLE A CHILD. THE MINIMUM AGE SHALL NOT BE LESS THAN 15 MONTHS AND THE MAXIMUM WEIGHT SHALL NOT BE GREATER THAN 50 LB (22.7kg).

THE MATTRESS INTENDED FOR USE ON THE BED SHALL BE A FULL-SIZE CRIB MATTRESS HAVING MINIMUM DIMENSIONS OF 51 5/8IN. (1310mm) IN LENGTH, 27 1/4IN. (690mm) IN WIDTH AND 4 IN. (100mm) IN THICKNESS.

DO NOT PLACE ITEMS WITH A STRING, CORD, OR RIBBON AROUND A CHILD'S NECK, SUCH AS HOOD STRINGS OR PACIFIER CORDS.

DO NOT SUSPEND STRINGS OVER A TODDLER BED FOR ANY REASON.

THE STABILIZER BAR MUST BE USED TO AVOID THE FORMATION OF A GAP BETWEEN THE MATTRESS AND THE BED THAT COULD CAUSE AN ENTRAPMENT.

WARNING:CHANGING TABLE

FALL HAZARD - TO PREVENT DEATH OR SERIOUS INJURY, ALWAYS KEEP CHILD WITHIN ARM'S REACH.

READ ALL INSTRUCTIONS BEFORE USE OF THE CHANGING TABLE.

KEEP THESE INSTRUCTIONS IN A SAFE PLACE FOR FUTURE USE.

INSPECT THE CHANGING TABLE PERIODICALLY. **DO NOT** USE THE CHANGING TABLE IF IT IS DAMAGED OR BROKEN.

TIGHTEN ALL LOOSE SCREWS AND BOLTS BEFORE EACH USE.

THE MAXIMUM RECOMMENDED WEIGHT OF THE CHILD IS 30LBS FOR THE CHANGING TABLE.

USE ONLY THE PAD PROVIDED BY DELTA CHILDREN'S PRODUCTS.

NOTES ON ASSEMBLY:

-DURING THE ASSEMBLY PROCESS WHENEVER USING SCREWS OR BOLTS, CHECK EACH BY PLACING THE SCREW/BOLT ON THE DIAGRAM OF THE ITEM WHICH IS DRAWN ACTUAL SIZE AND DESIGN. BE SURE TO USE THE PROPER SIZE AND SHAPE SPECIFIED IN THE INSTRUCTIONS.

-TO ASSEMBLE THIS UNIT YOU MAY BE REQUIRED TO PLACE THE UNIT ON IT'S SIDE AND FACE. IT IS STRONGLY RECOMMENDED THAT ASSEMBLY IS DONE ON A SOFT, NON-ABRASIVE SURFACE TO AVOID DAMAGING THE FINISH.

NOTES ON USE:

KEEP CHILDREN AND OTHERS SAFE BY FOLLOWING THESE SIMPLE RULES:

- **DO NOT** ALLOW ANY CHILD TO PLAY ON FURNITURE
- **DO NOT** ALLOW CLIMBING ON ANY PIECE OF FURNITURE.
- **DO NOT** ALLOW HANGING FROM ANY PIECE OF FURNITURE.
- ALWAYS MONITOR YOUR CHILD'S ACTIVITY WHEN IN THE NURSERY.

NOTES ON CARE AND MAINTAINENCE:

- **DO NOT** SCRATCH OR CHIP THE FINISH.

- INSPECT THE CRIB PERIDOCIALLY, CONTACT DELTA CHILDREN'S PRODUCTS FOR REPLACEMENT PARTS OR QUESTIONS.

- **DO NOT** STORE THE CRIB OR ANY PARTS IN EXTREME TEMPERATURES AND CONDITIONS SUCH AS A HOT ATTIC OR A DAMP, COLD BASEMENT. THESE EXTREMES CAN CAUSE A LOSS OF STRUCTURAL INTEGRITY.

-AN OCCASIONAL WAXING, PLUS REGULAR CLEANING WITH MILD SOAP ON A SOFT CLOTH, FOLLOWED BY A CLEAN DAMP CLOTH, THEN A DRY CLOTH, WILL PRESERVE THE ORIGINAL LUSTER AND BEAUTY OF THIS FINE FINISH.

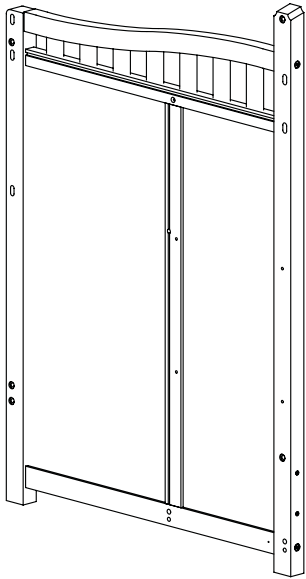
-**DO NOT** USE ABRASIVE CHEMICALS.

-**DO NOT** SPRAY CLEANERS DIRECTLY ONTO FURNITURE, SPRAY ONTO CLEANING CLOTH AND THEN APPLY TO FURNITURE. TEST IN AN INCONSPICUOUS AREA BEFORE APPLYING TO ENTIRE UNIT.

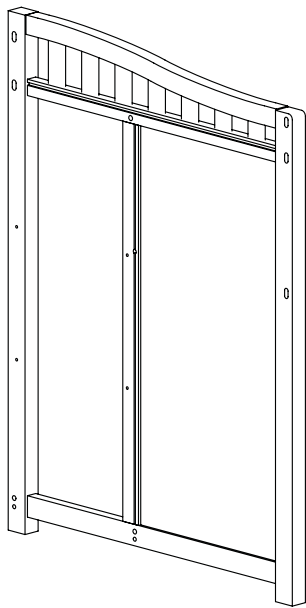
-LIFT SLIGHTLY WHEN MOVING ON CARPETING TO PREVENT LEG BREAKAGE.

-USE OF A VAPORIZER NEAR FURNITURE WILL CAUSE WOOD TO SWELL AND FINISH TO PEEL.

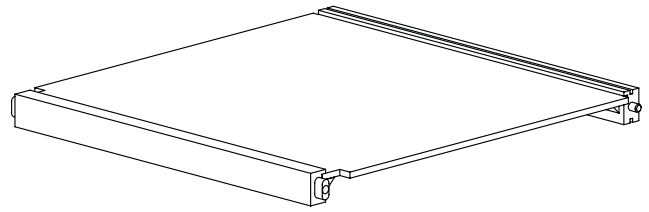
PARTS



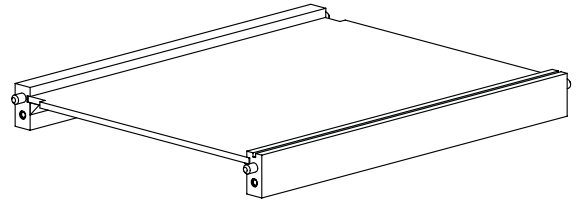
A. CHANGER LEFT SIDE



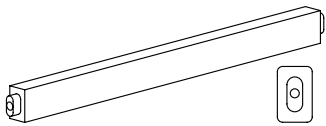
B. CHANGER RIGHT SIDE



C. CHANGER FIXED SHELF

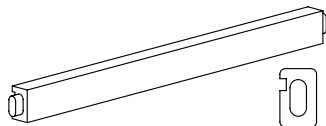
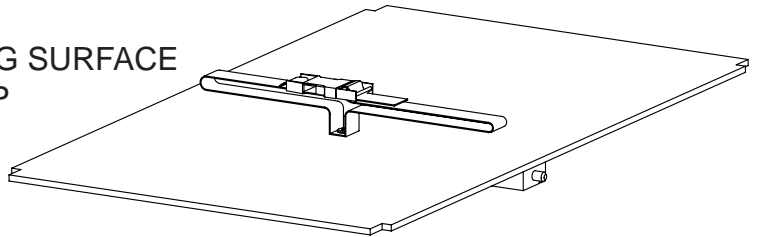


D. CHANGER BOTTOM SHELF



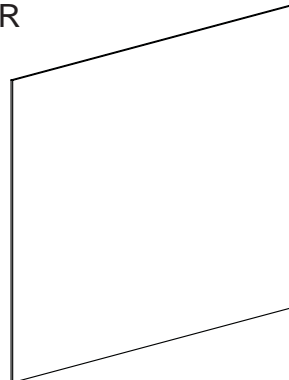
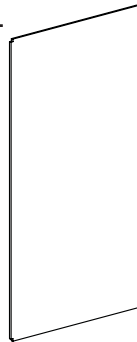
E. CHANGER TOP RAIL

F. CHANGING SURFACE WITH STRAP

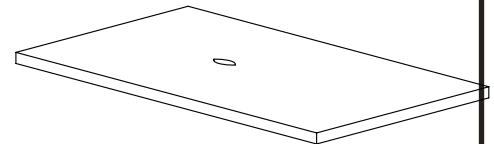


RR. CHANGER MID RAIL

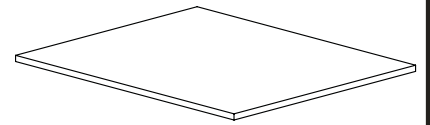
H. SMALL CHANGER PANEL



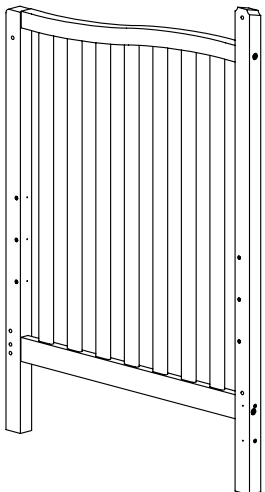
SS. LARGE CHANGER PANEL



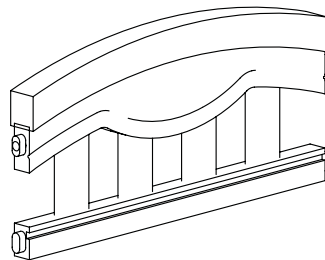
G. CHANGING PAD



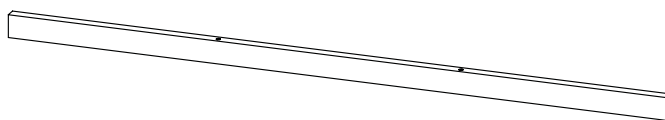
K. REMOVABLE SHELF x2



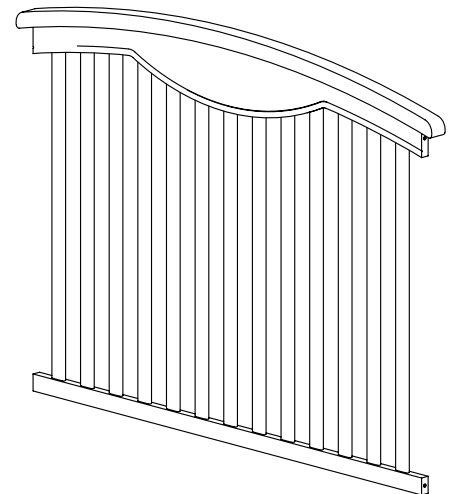
L. CRIB END



TT. CHANGER BACK RAIL



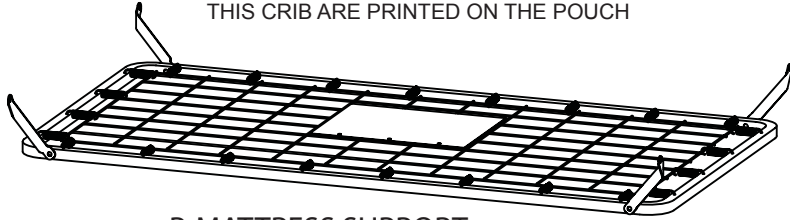
M. STABILIZER BAR



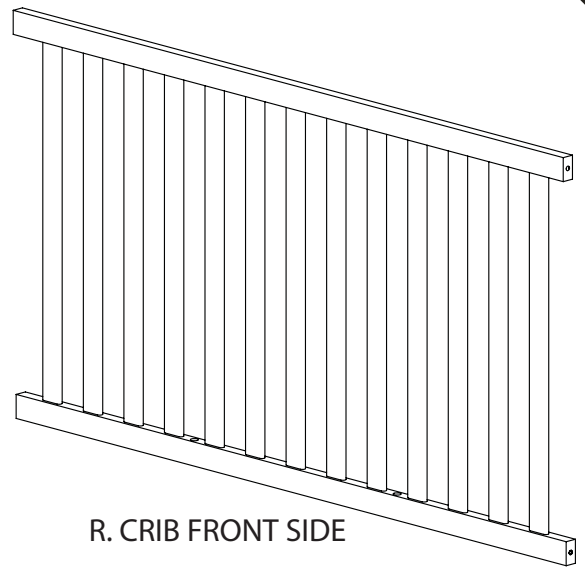
N. CRIB BACK SIDE

PARTS

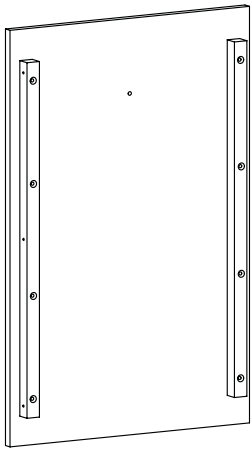
POUCH ATTACHED TO MATTRESS SUPPORT
- KEEP INSTRUCTIONS AND ANY EXTRA
HARDWARE AND TOOLS IN THIS POUCH
AFTER ASSEMBLY
WARNINGS RELATED TO THE SAFE USE OF
THIS CRIB ARE PRINTED ON THE POUCH



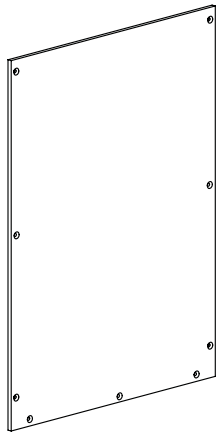
P. MATTRESS SUPPORT



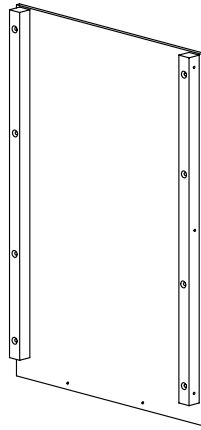
R. CRIB FRONT SIDE



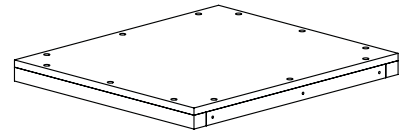
S. HAMPER FRONT



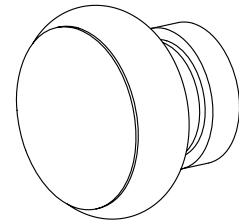
T. HAMPER SIDE x2



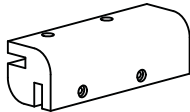
U. HAMPER BACK



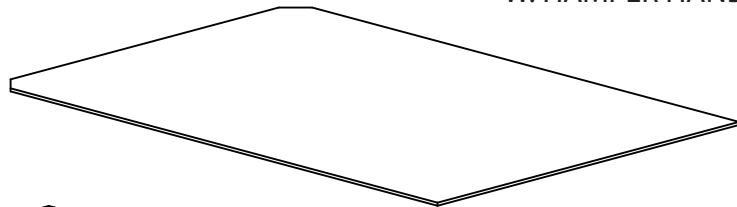
V. HAMPER BOTTOM



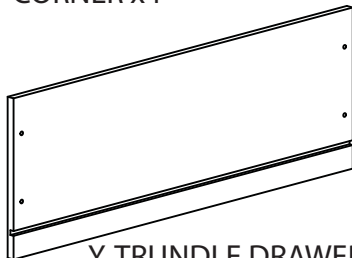
W. HAMPER HANDLE



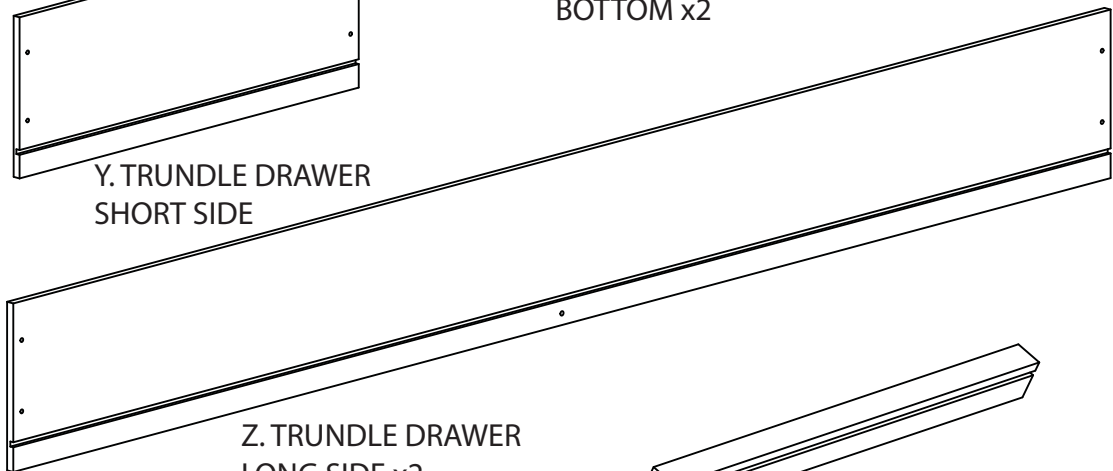
X. TRUNDLE DRAWER
CORNER x4



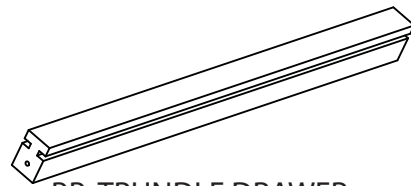
AA. TRUNDLE DRAWER
BOTTOM x2



Y. TRUNDLE DRAWER
SHORT SIDE

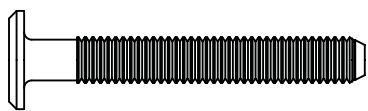


Z. TRUNDLE DRAWER
LONG SIDE x2

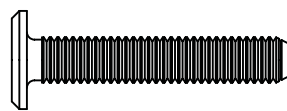


BB. TRUNDLE DRAWER
CENTER SUPPORT

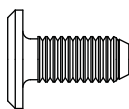
PARTS - HARDWARE AND TOOLS



EE. 45mm BOLT x 18

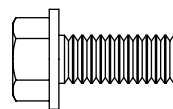


FF. 35mm BOLT x2

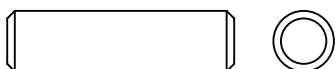


GG. 14mm BOLT x 4

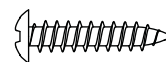
ONE PREASSEMBLED TO PART (F) TO ATTACH STRAP,
OTHERS USED TO ATTACH FULL SIZE BED FRAME.



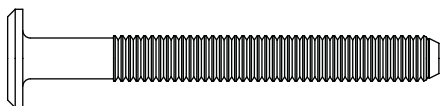
HH. MATTRESS SUPPORT BOLT x4



JJ. DOWEL x2



KK. 19mm SCREW x 20

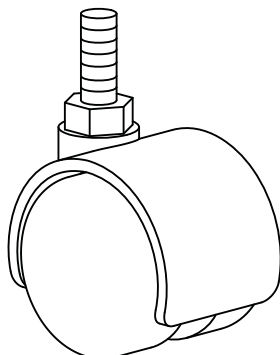


LL. 55mm BOLT x2

FOUR PREASSEMBLED TO PART (A) AND PART (L)
TWO INSTALL CRIB FRONT SIDE

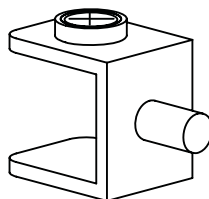


PP. HANDLE BOLT x1

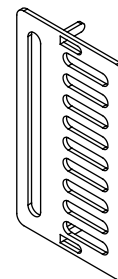


MM. CASTER x8

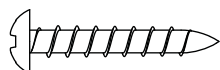
ALL HARDWARE ON THIS PAGE IS SHOWN FULL
SIZE AND WITH THE CORRECT DESIGN. THE
PARTS CAN BE MATCHED TO THE PICTURES.



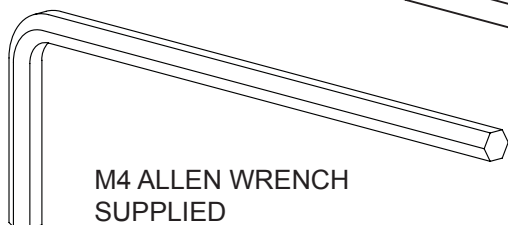
NN. SHELF SUPPORT x8



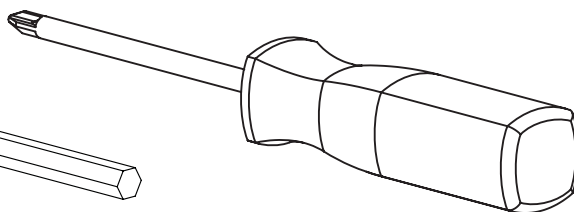
YY. ADAPTER PLATE x2



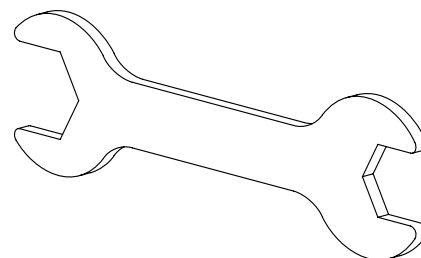
ZZ. 25mm SCREW x 18



M4 ALLEN WRENCH
SUPPLIED



PHILLIPS
SCREWDRIVER
SUPPLIED

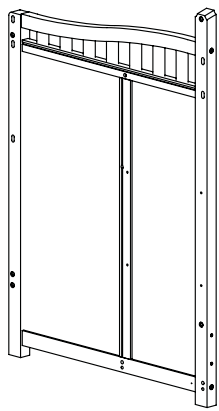


OPEN WRENCH
SUPPLIED

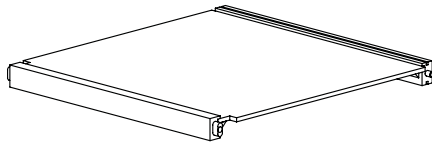
SECTION 1: CHANGING TABLE ASSEMBLY

STEP 1

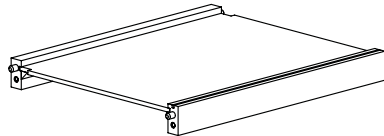
PARTS AND TOOLS REQUIRED TO COMPLETE STEP



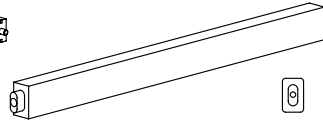
A. CHANGER LEFT SIDE



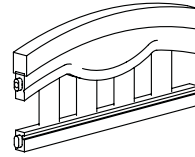
C. CHANGER FIXED SHELF



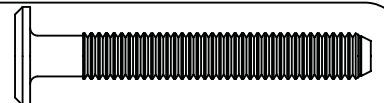
D. CHANGER BOTTOM SHELF



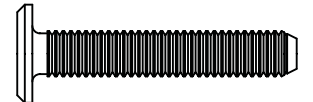
E. CHANGER TOP RAIL



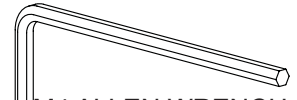
TT. CHANGER BACK RAIL



EE. 45mm BOLT x4



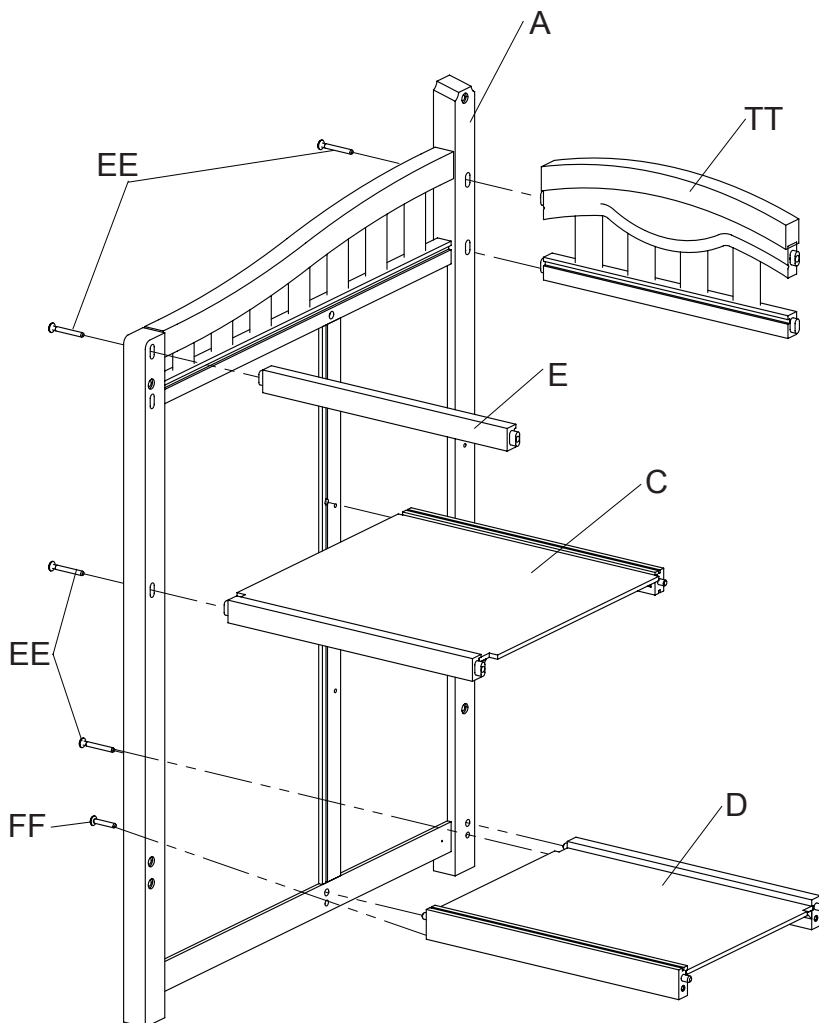
FF. 35mm BOLT x1



M4 ALLEN WRENCH

ATTACH PARTS TO THE CHANGER LEFT SIDE

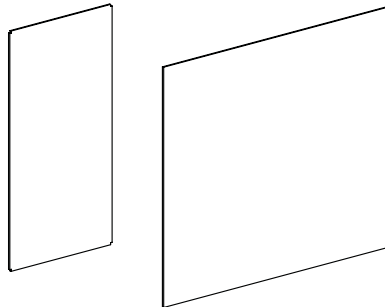
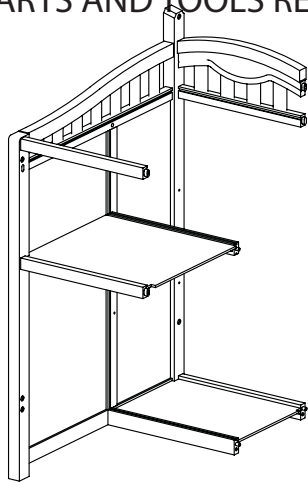
1. ATTACH THE CHANGER FIXED SHELF (PART C) WITH (1) 45mm BOLT (PART EE). ALIGN THE PIN IN THE BACK WITH THE HOLE IN THE CHANGER LEFT SIDE (PART A).
2. ATTACH THE CHANGER BOTTOM SHELF (PART D) WITH (1) 45mm BOLT (PART EE) AND (1) 35mm BOLT (PART FF) AS SHOWN.
3. ATTACH THE CHANGER TOP RAIL (PART E) WITH (1) 45mm BOLT (PART EE). CHANGER TOP RAIL HAS NO GROOVES IN THE FACE.
4. ATTACH THE CHANGER BACK RAIL (PART TT) WITH (1) 45mm BOLT (PART EE). BE SURE THE GROOVE FACES TO THE INSED OF THE UNIT
5. TIGHTEN ALL BOLTS WITH THE M4 ALLEN WRENCH.



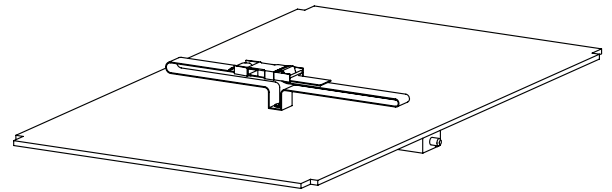
SECTION 1: CHANGING TABLE ASSEMBLY

STEP 2

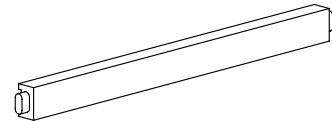
PARTS AND TOOLS REQUIRED TO COMPLETE STEP
H. CHANGER PANEL



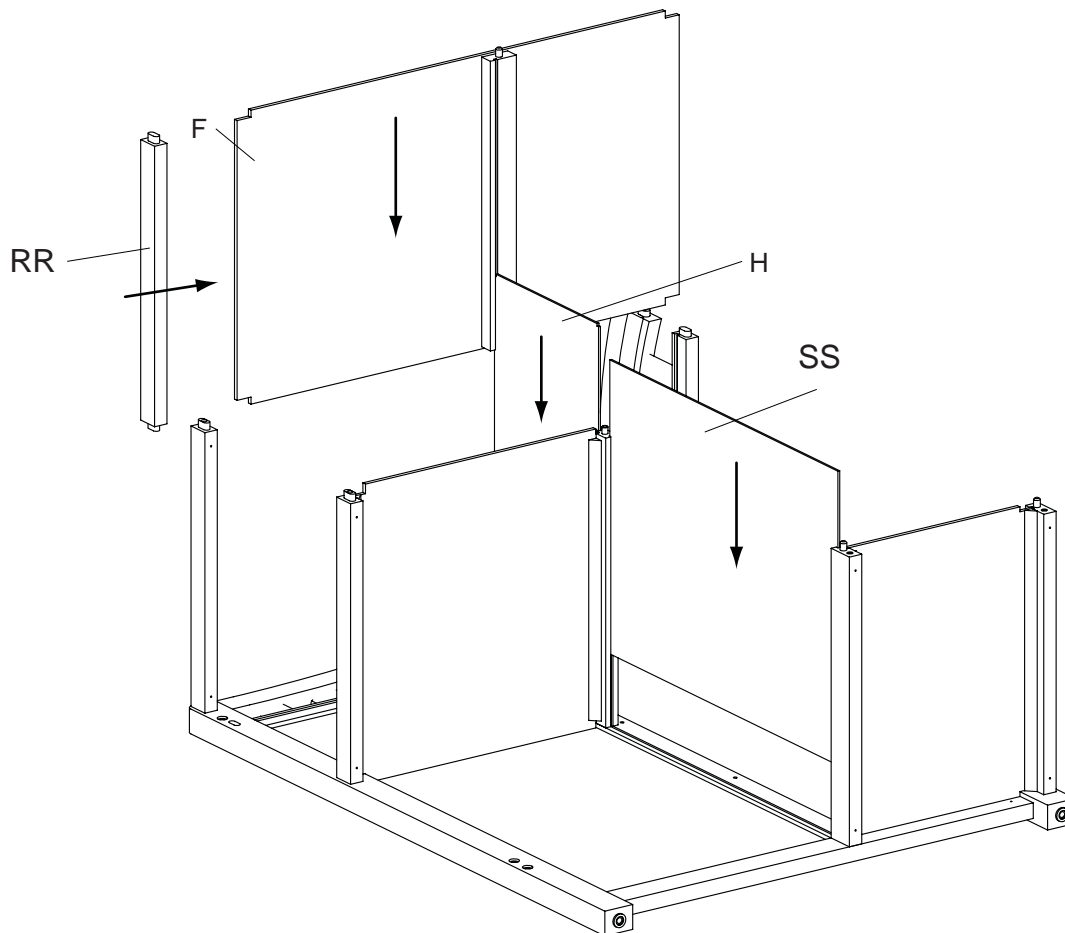
F. CHANGING SURFACE WITH STRAP



SS. LARGE CHANGER PANEL



RR. CHANGER MID RAIL



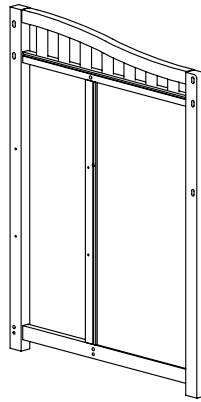
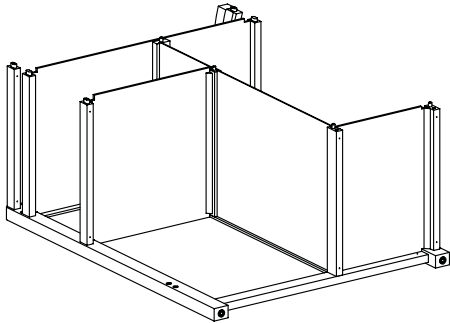
INSERT PARTS

1. INSERT THE LARGE CHANGER PANEL (PART SS) INTO THE RAILS ON THE FIXED SHELF AND BOTTOM SHELF. ALIGN THE PANEL WITH THE GROOVE IN THE LEFT SIDE.
2. FIT THE CHANGER MID RAIL (PART RR) ONTO THE FRONT EDGE OF THE CHAGNING SURFACE WITH STRAP (PART F). CAREFULLYFIT THE PANEL INTO THE GROOVES ON THE CHANGER BACK RAIL AND THE RAIL ON THE CHAINGER LEFT SIDE
3. INSERT THE CHANGER PANEL (PART H) INTO THE GROOVE ON TOP OF THE CHANGER FIXED SHELF AND BOTTOM OF THE CHANGING SURFACE. ALIGN CAREFULLY WITH THE GROOVE IN THE CENTER POST ON THE CHANGER SIDE.

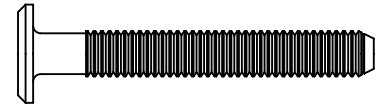
SECTION 1: CHANGING TABLE ASSEMBLY

STEP 3

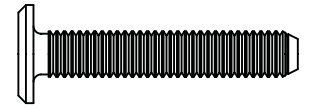
PARTS AND TOOLS REQUIRED TO COMPLETE STEP



B. CHANGER RIGHT SIDE



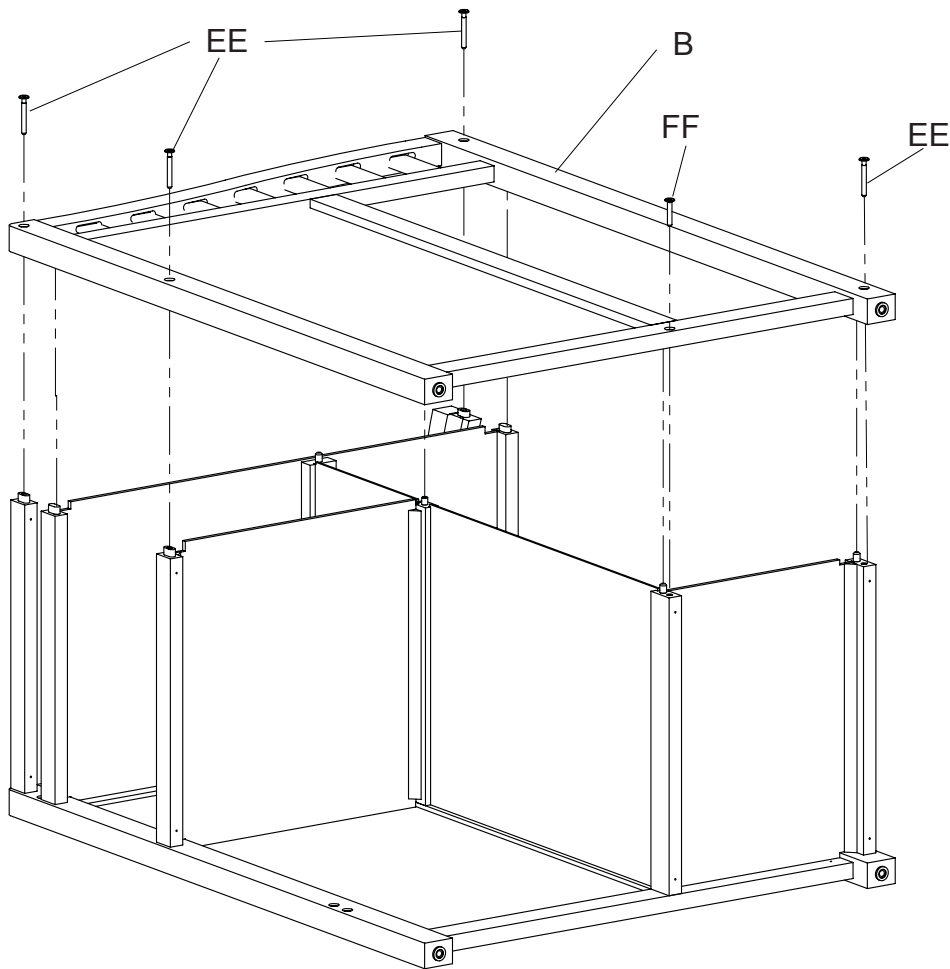
EE. 45mm BOLT x4



FF. 35mm BOLT x1



M4 ALLEN WRENCH



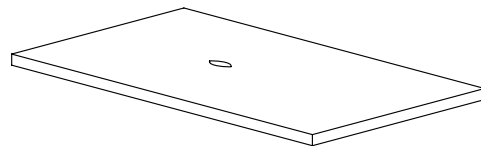
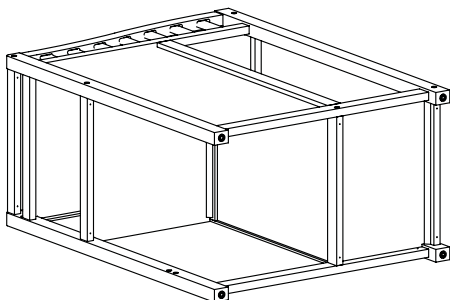
ATTACH THE CHANGER RIGHT SIDE

1. CAREFULLY ALIGN ALL PANELS, TABS AND PINS WITH THE HOLES AND SLOTS IN THE CHANGER RIGHT SIDE (PART B).
2. INSERT (4) 45mm BOLTS (PART EE) AND (1) 35mm BOLT (PART FF) AS SHOWN ABOVE.
3. TIGHTEN ALL BOLTS WITH THE M4 ALLEN WRENCH.

SECTION 1: CHANGING TABLE ASSEMBLY

STEP 4

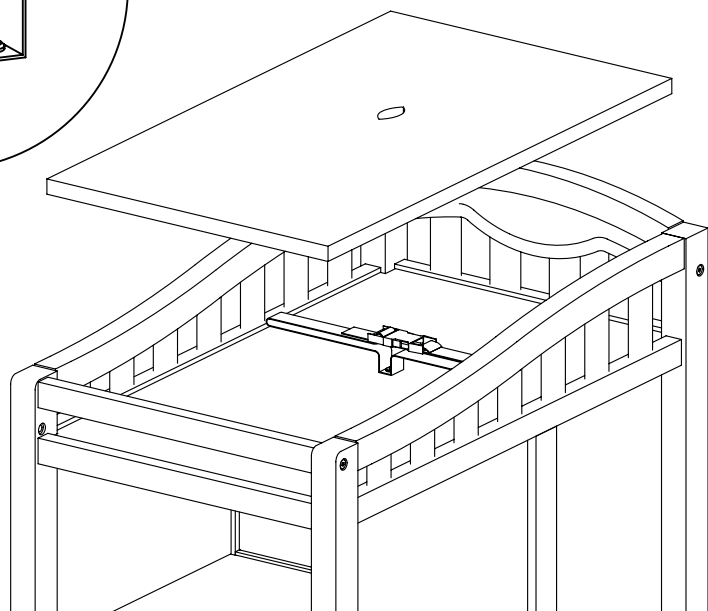
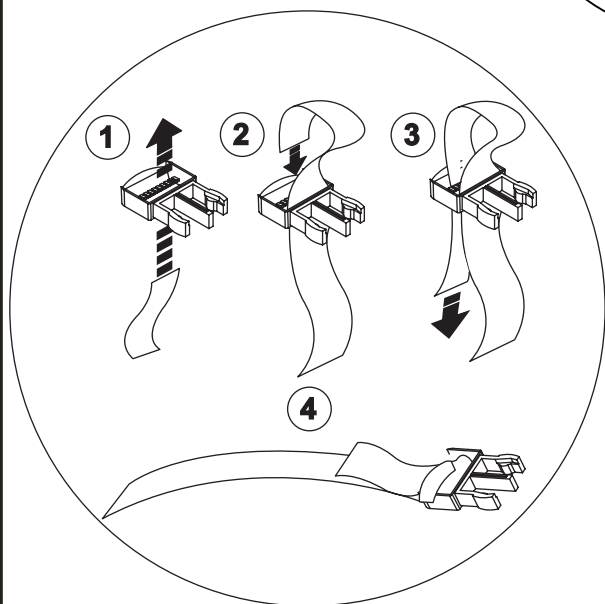
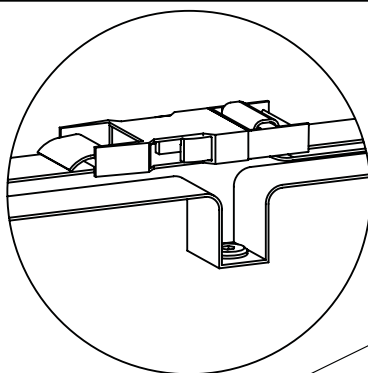
PARTS AND TOOLS REQUIRED TO COMPLETE STEP



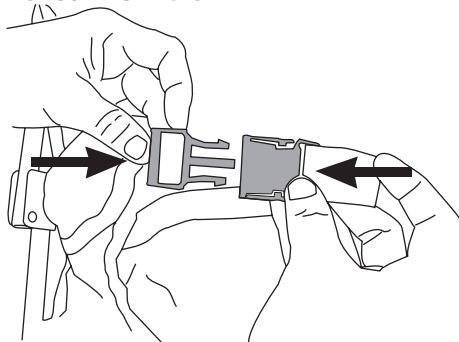
G. CHANGING PAD

INSTALL CHANGING PAD

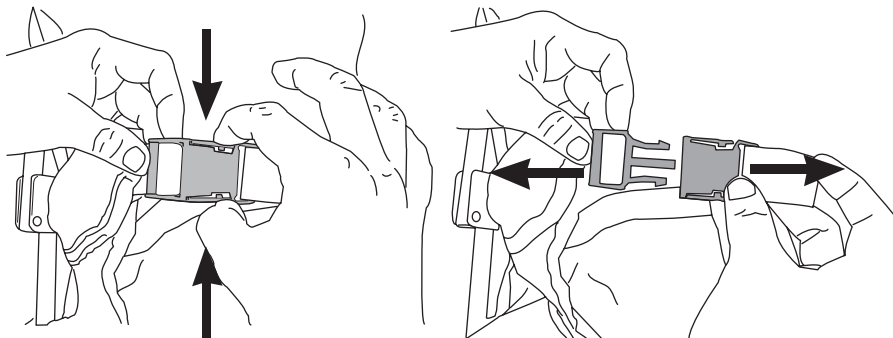
1. CHECK THAT THE BOLT SECURING THE STRAP IS TIGHT USING THE M4 ALLEN WRENCH.
2. INSERT THE STRAP THROUGH THE HOLE IN THE CHANGING PAD (PART G).
3. PLACE PAD ON CHANGING SURFACE



TO FASTEN STRAP - PUTH BUCKLE SIDE TOGETH-
ERBESURE BUCKLE IS FULLY FASTENED TO
SECURE CHILD SAFFELY



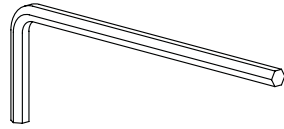
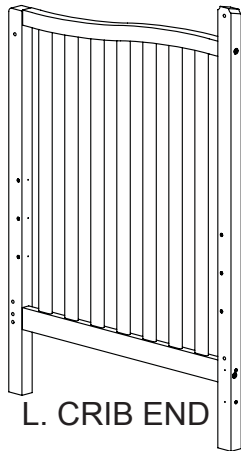
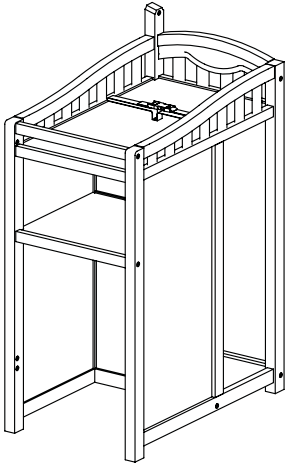
TO RELEASE PRESS BOTH TABS AND PULL APART



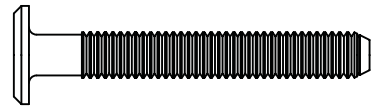
SECTION 2: CRIB ASSEMBLY

STEP 1

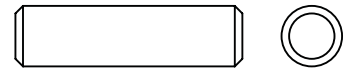
PARTS AND TOOLS REQUIRED TO COMPLETE STEP



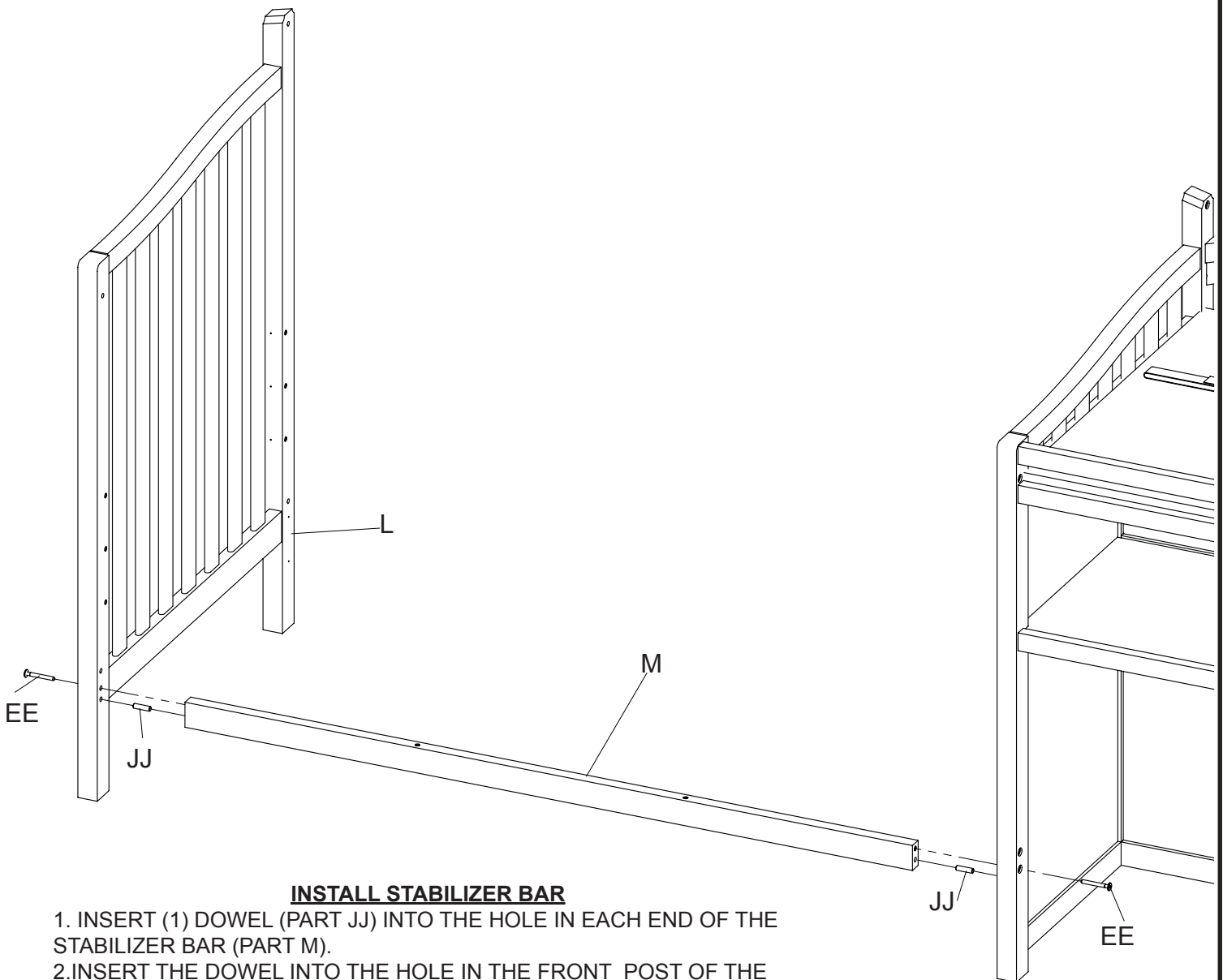
M4 ALLEN WRENCH



EE. 45mm BOLT x 2



JJ. DOWEL x2



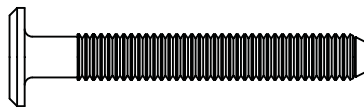
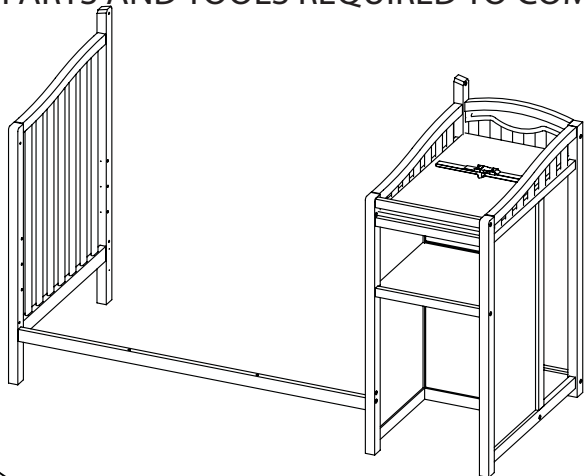
INSTALL STABILIZER BAR

1. INSERT (1) DOWEL (PART JJ) INTO THE HOLE IN EACH END OF THE STABILIZER BAR (PART M).
2. INSERT THE DOWEL INTO THE HOLE IN THE FRONT POST OF THE FINISHED CHANGING TABLE. ATTACH WITH (1) 45mm BOLT (PART EE).
3. REPEAT ABOVE WITH THE CRIB END (PART L).
4. TIGHTEN ALL BOLTS WITH THE M4 ALLEN WRENCH.
5. CHECK THAT THE BOLTS INSTALLED IN THE CRIB SIDE ARE TIGHT.

SECTION 2: CRIB ASSEMBLY

STEP 2

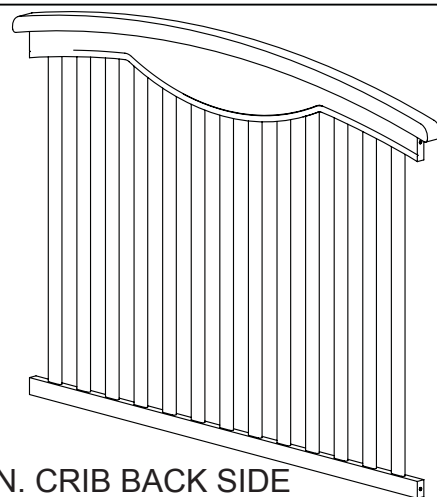
PARTS AND TOOLS REQUIRED TO COMPLETE STEP



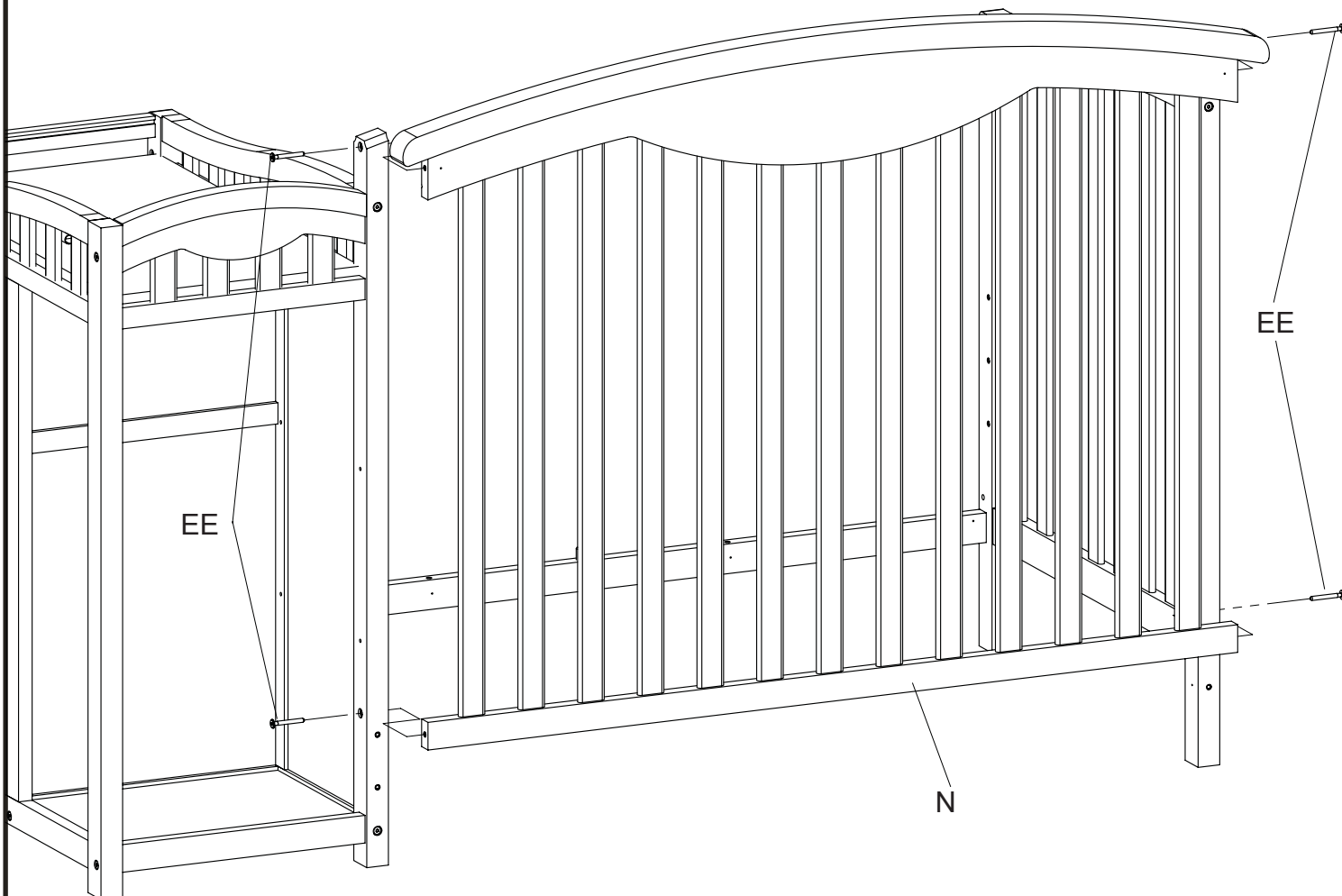
EE. 45mm BOLT x 4



M4 ALLEN WRENCH



N. CRIB BACK SIDE



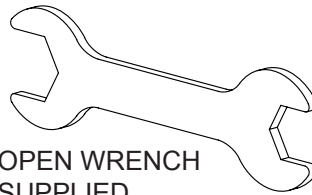
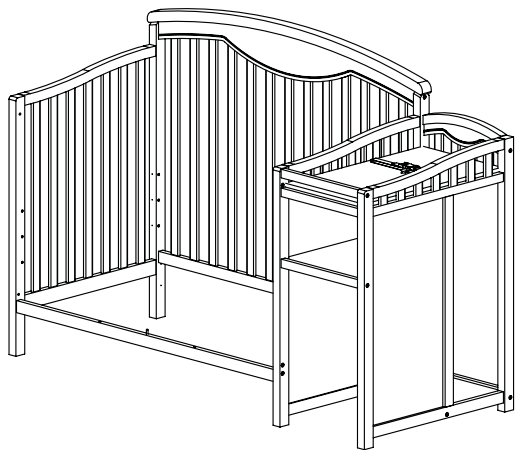
INSTALL CRIB BACK SIDE

ATTACH THE CRIB BACK SIDE (PART N) BETWEEN THE POSTS WITH (4) 45mm BOLTS (PART EE). TIGHTEN WITH THE M4 ALLEN WRENCH

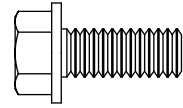
SECTION 2: CRIB ASSEMBLY

STEP 3

PARTS AND TOOLS REQUIRED TO COMPLETE STEP



OPEN WRENCH
SUPPLIED

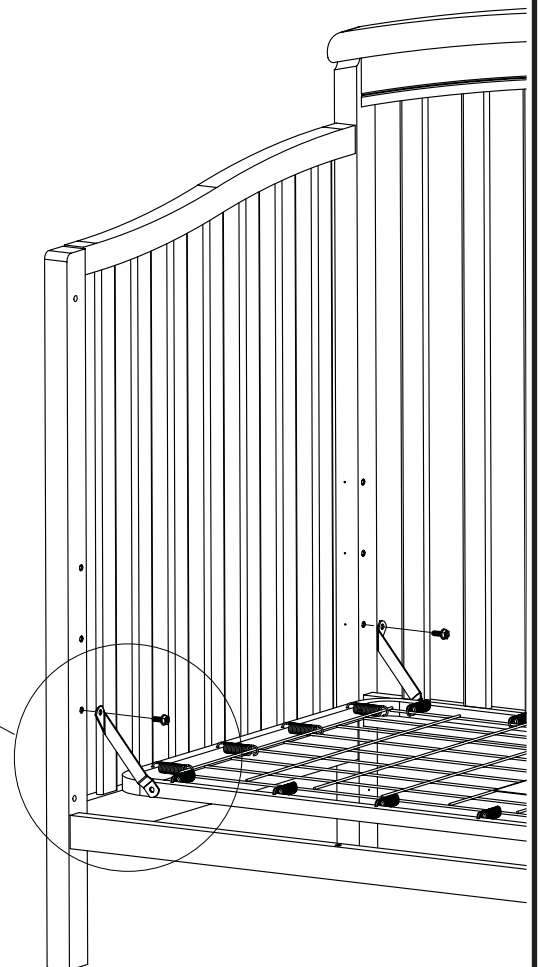
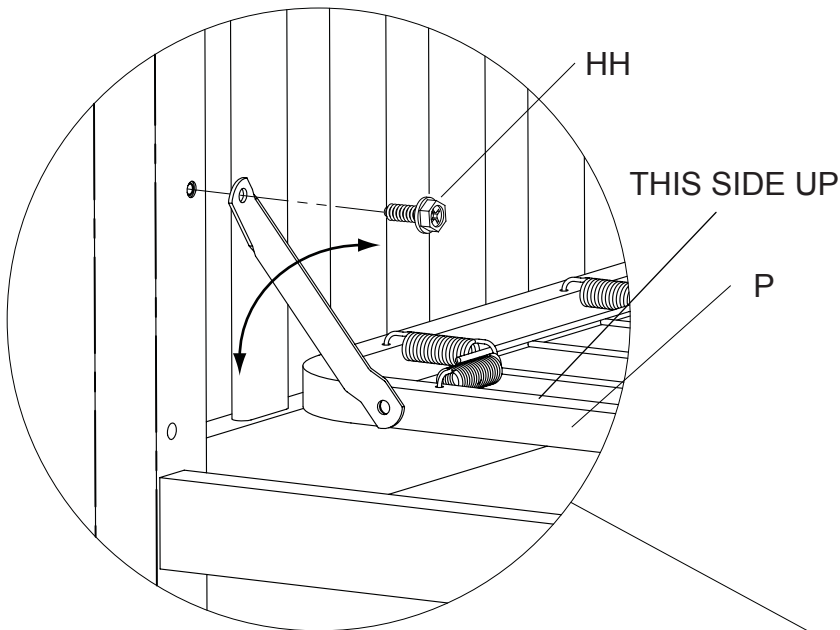


HH. MATTRESS SUPPORT BOLT x4



P. MATTRESS SUPPORT

ALL CORNERS



INSTALL MATTRESS SUPPORT

ATTACH THE MATTRESS SUPPORT (PART P) IN ALL CORNERS USING (1) MATTRESS SUPPORT BOLT (PART HH) IN EACH CORNER.

TIGHTEN WITH THE M4 ALLEN WRENCH

THIS CRIB HAS (3) ADJUSTMENT POSITIONS, USE THE HIGHEST ONLY FOR NEW BORN, MOVE THE MATTRESS DOWN AS THE CHILD GROWS.

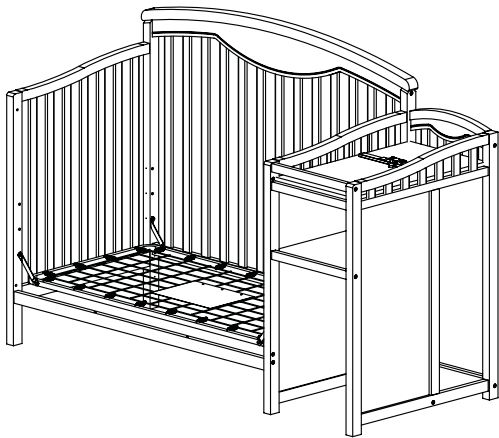
⚠ WARNING:

FALL HAZARD: WHEN CHILD IS ABLE TO PULL TO A STANDING POSITION, SET MATTRESS TO LOWEST POSITION AND REMOVE BUMPER PADS, LARGE TOYS AND OTHER OBJECTS THAT COULD SERVE AS STEPS FOR CLIMBING OUT.

SECTION 2: CRIB ASSEMBLY

STEP 4

PARTS AND TOOLS REQUIRED TO COMPLETE STEP



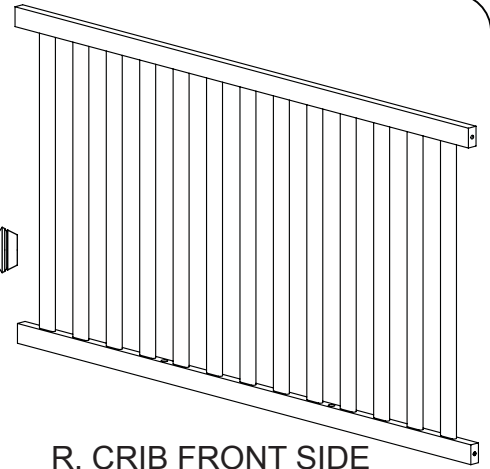
EE. 45mm BOLT x 2



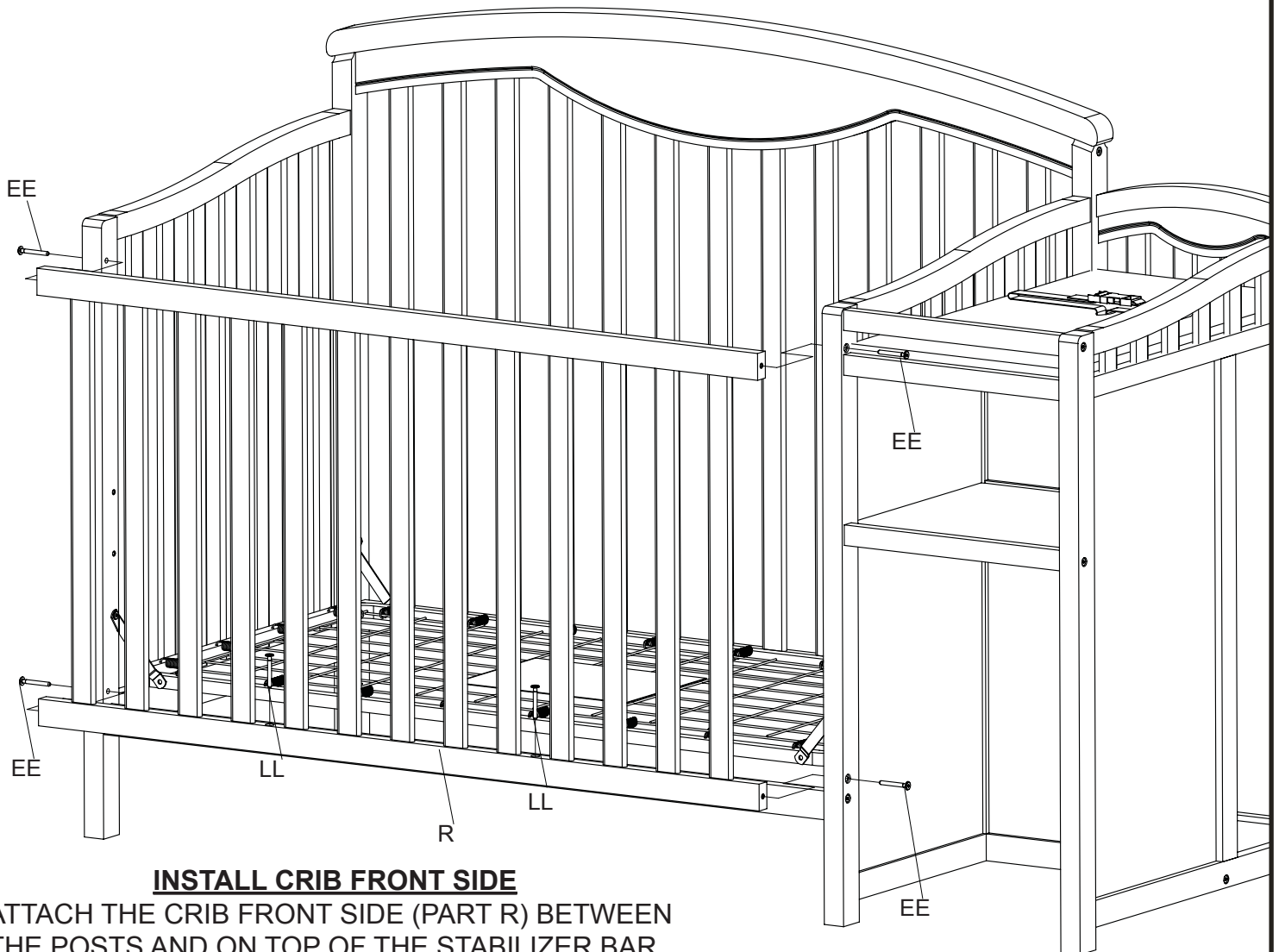
LL. 55mm BOLT x 2



M4 ALLEN WRENCH



R. CRIB FRONT SIDE



INSTALL CRIB FRONT SIDE

ATTACH THE CRIB FRONT SIDE (PART R) BETWEEN THE POSTS AND ON TOP OF THE STABILIZER BAR WITH (4) 45mm BOLTS (PART EE).

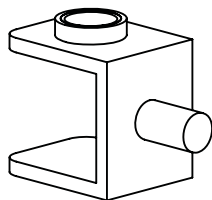
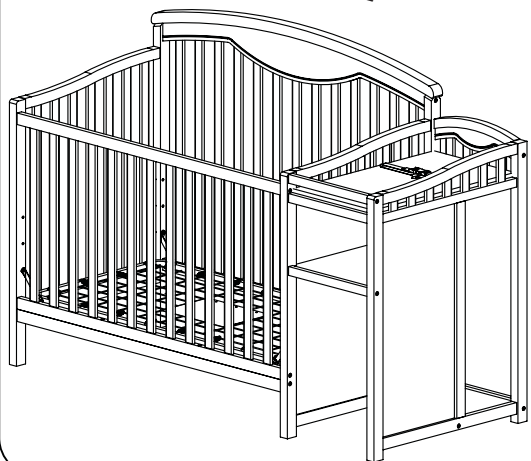
INSERT (2) 55mm BOLTS (PART LL) THROUGH THE BOTTOM RAIL OF THE CRIB FRONT SIDE INTO THE STABILIZER BAR.

TIGHTEN WITH THE M4 ALLEN WRENCH

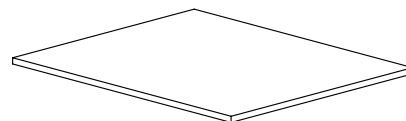
SECTION 2: CRIB ASSEMBLY

STEP 5

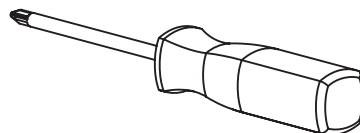
PARTS AND TOOLS REQUIRED TO COMPLETE STEP



NN. SHELF SUPPORT x8



K. REMOVABLE SHELF x2



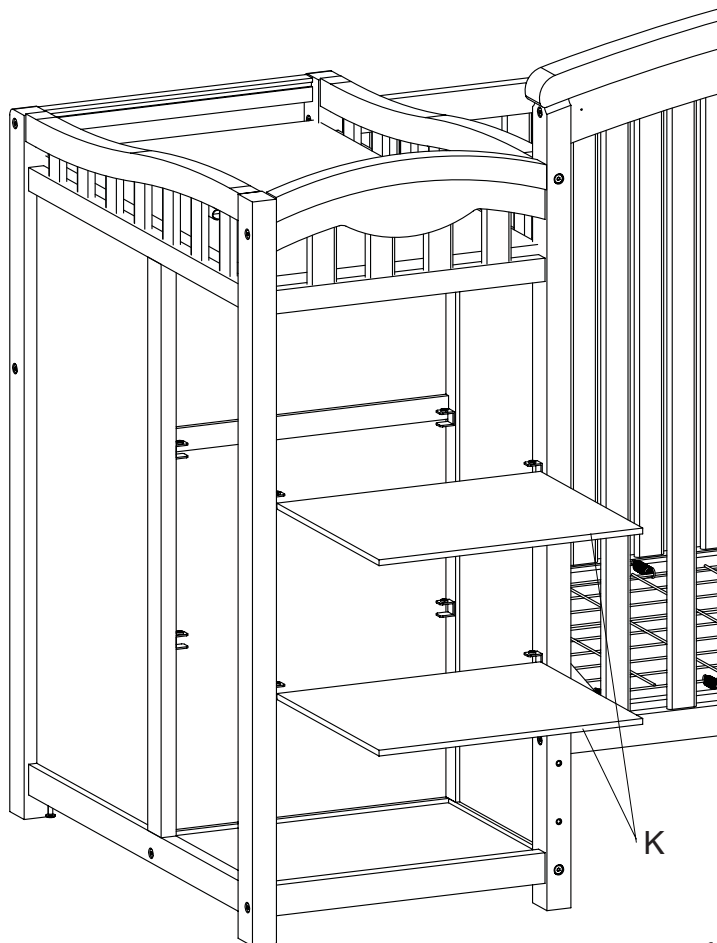
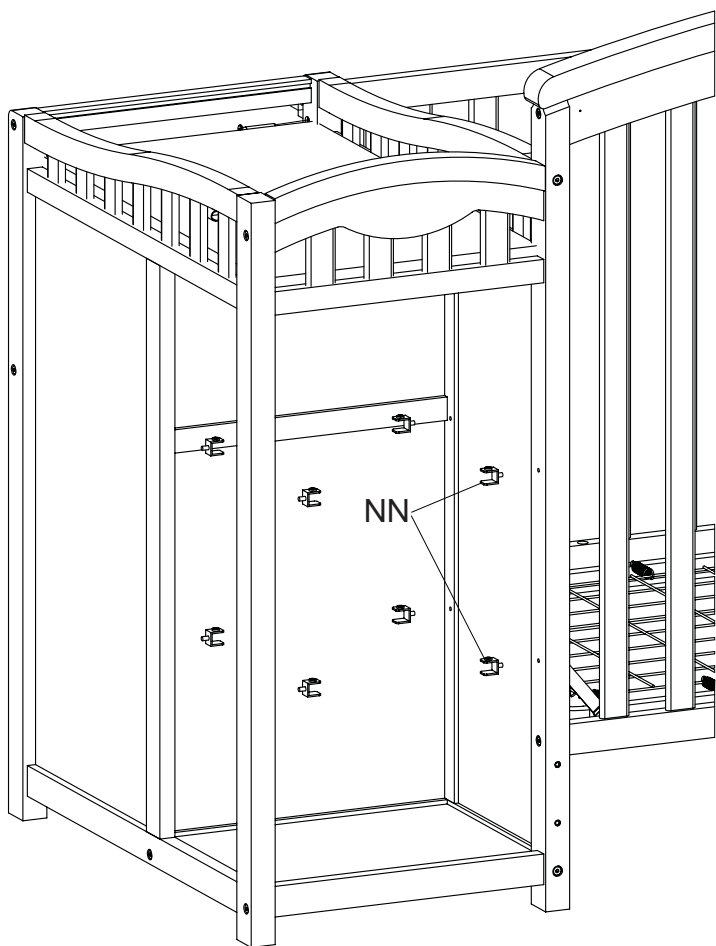
PHILLIPS SCREWDRIVER SUPPLIED

INSTALL REMOVABLE SHELVES

INSERT THE SHELF SUPPORTS (PART NN) IN THE HOLES IN THE POSTS OF THE CHANGING TABLE. PLACE THE SHELVES (PART K) INSIDE THE SHELF SUPPORTS.

TIGHTEN THE SCREWS IN THE SHELF SUPPORTS WITH THE PHILLIPS SCREWDRIVER.

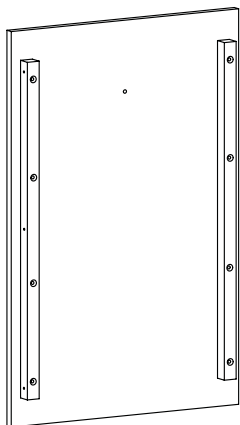
CHECK THAT ALL BOLTS ARE TIGHTENED



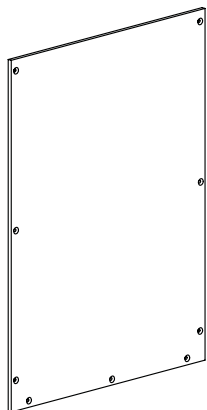
SECTION 3: HAMPER ASSEMBLY

STEP 1

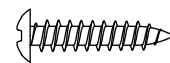
PARTS AND TOOLS REQUIRED TO COMPLETE STEP



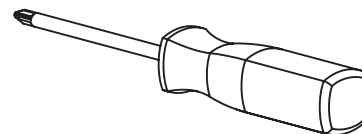
S. HAMPER FRONT



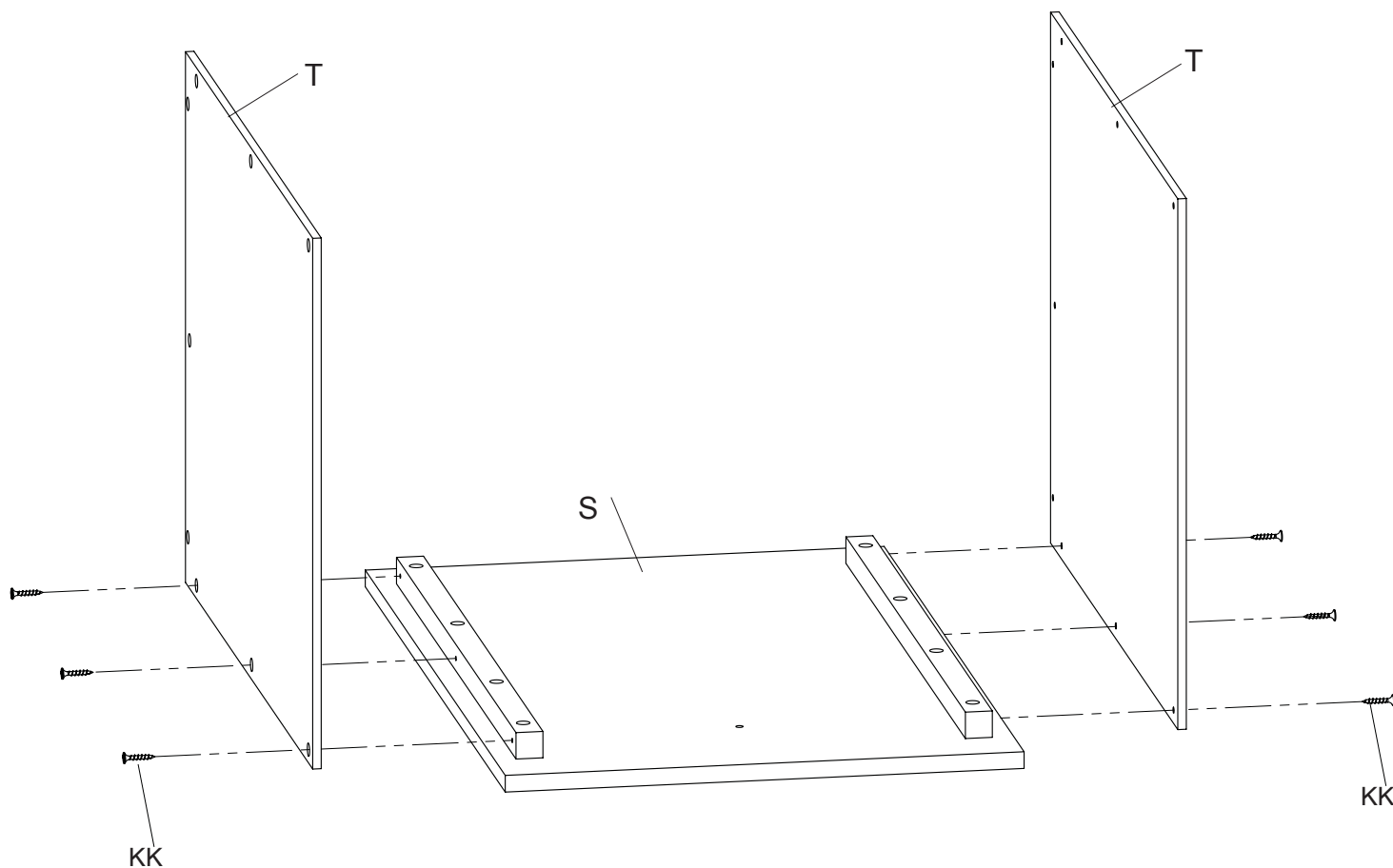
T. HAMPER SIDE x2



KK. 19mm SCREW x 6



PHILLIPS
SCREWDRIVER
SUPPLIED



ATTACH HAMPER SIDES

ATTACH THE HAMPER SIDES (PART T) TO THE HAMPER FRONT (PART S) WITH (3) SCREWS (PART KK) FOR EACH. TIGHTEN WITH THE PHILLIPS SCREWDRIVER.

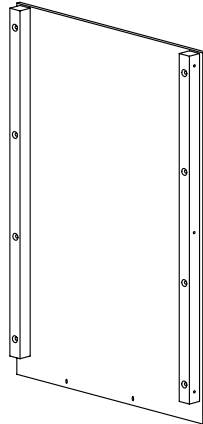
ENSURE THE THE TWO HOLES IN THE HAMPER SIDES ARE AT THE BOTTOM OF THE FRONT.

SECTION 3: HAMPER ASSEMBLY

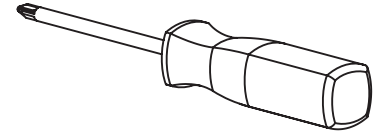
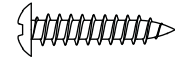
STEP 2

PARTS AND TOOLS REQUIRED TO COMPLETE STEP

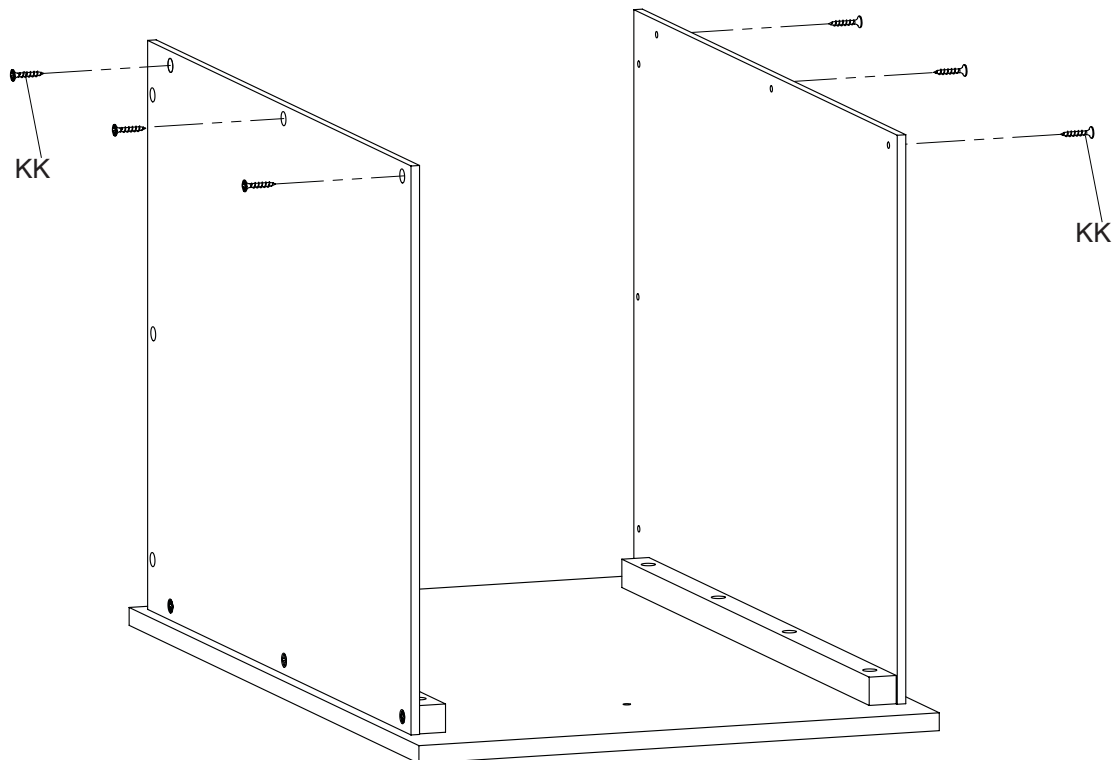
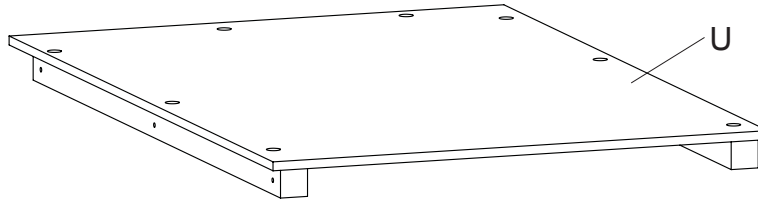
U. HAMPER BACK



KK. 19mm SCREW x 6



PHILLIPS
SCREWDRIVER
SUPPLIED



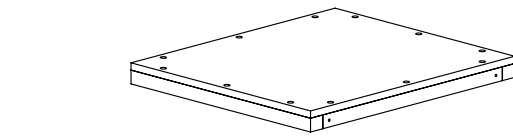
ATTACH HAMPER BACK

ATTACH THE HAMPER BACK (PART U) TO THE SIDES WITH (3) SCREWS (PART KK) FOR EACH. TIGHTEN WITH THE PHILLIPS SCREWDRIVER. ENSURE THAT THE EDGES OF THE BACK LINE UP WITH THE EDGES OF THE SIDES

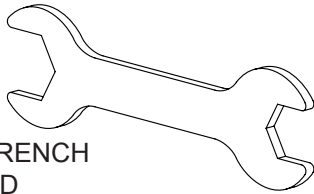
SECTION 3: HAMPER ASSEMBLY

STEP 3

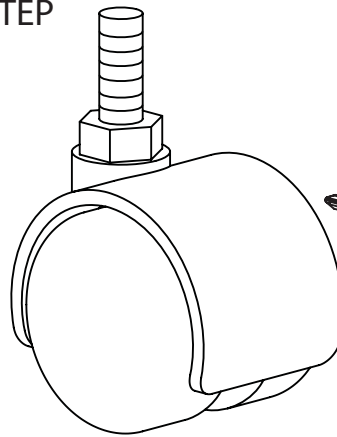
PARTS AND TOOLS REQUIRED TO COMPLETE STEP



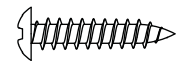
V. HAMPER BOTTOM



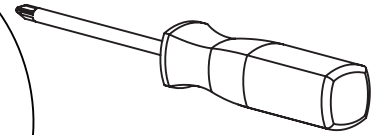
OPEN WRENCH
SUPPLIED



MM. CASTER x4



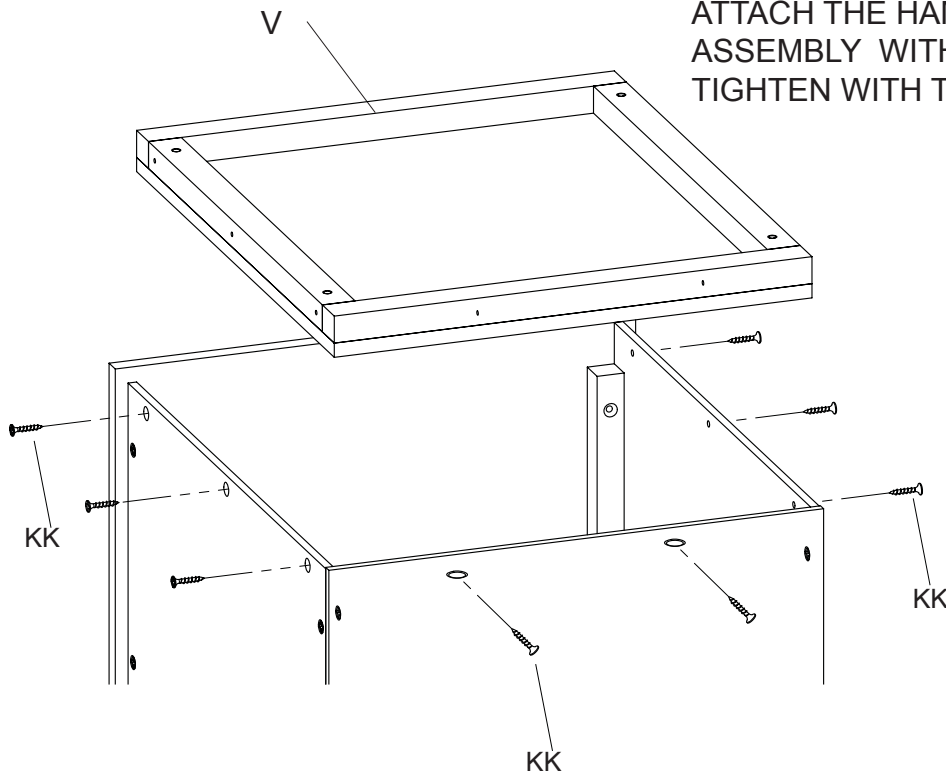
KK. 19mm SCREW x 8



PHILLIPS
SCREWDRIVER
SUPPLIED

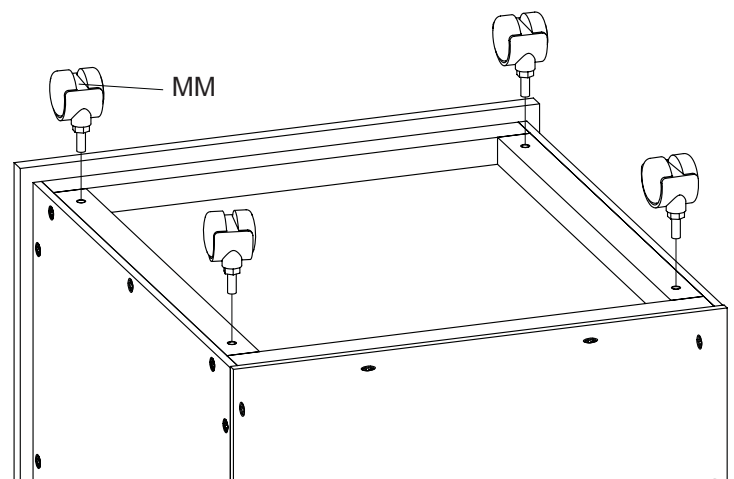
ATTACH HAMPER BOTTOM

ATTACH THE HAMPER BOTTOM (PART V) TO THE ASSEMBLY WITH (6) SCREWS (PART KK) . TIGHTEN WITH THE PHILLIPS SCREWDRIVER.



ATTACH CASTERS

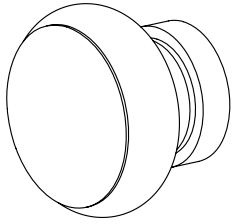
ATTACH THE CASTERS (PART MM) TO THE BOTTOM IN THE THREADED HOLES. TIGHTEN WITH THE OPEN WRENCH.



SECTION 3: HAMPER ASSEMBLY

STEP 4

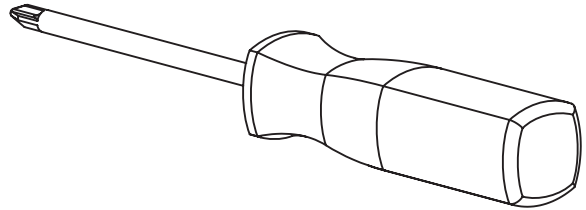
PARTS AND TOOLS REQUIRED TO COMPLETE STEP



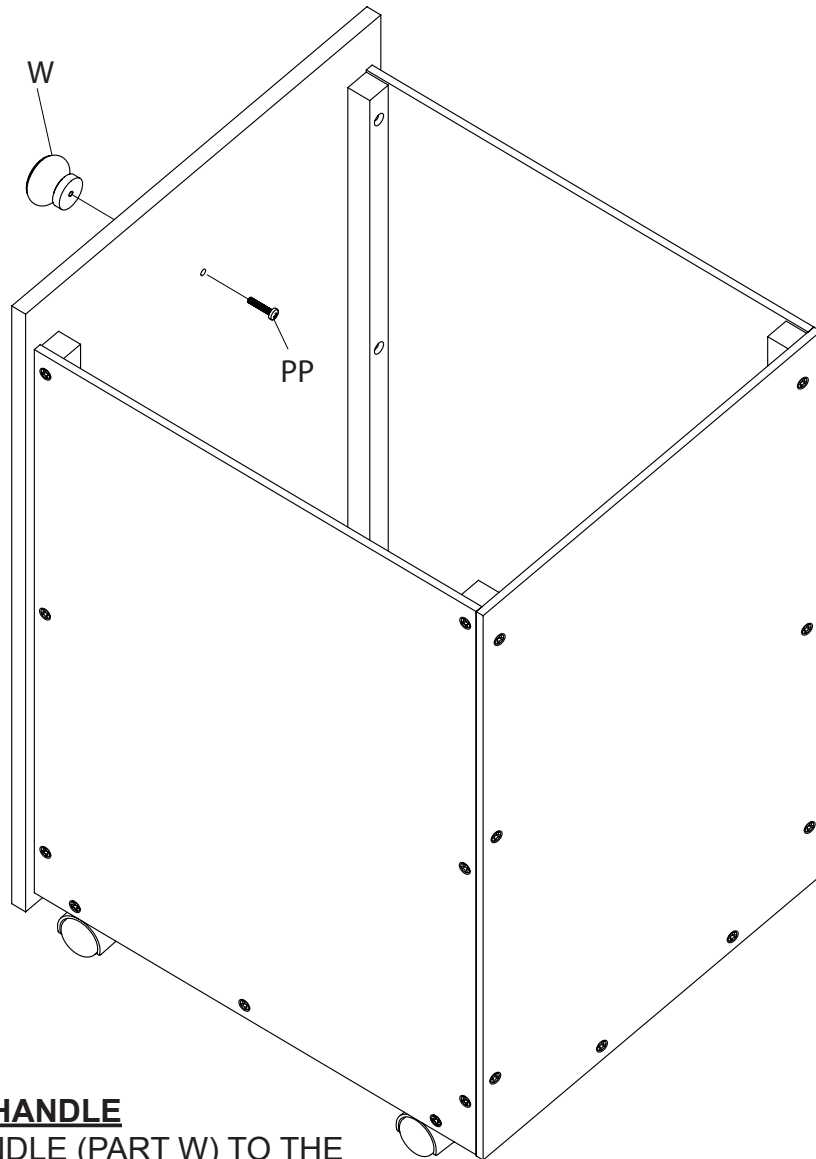
W. HAMPER HANDLE



PP. HANDLE BOLT



PHILLIPS
SCREWDRIVER
SUPPLIED



INSTALL HANDLE

ATTACH THE HAMPER HANDLE (PART W) TO THE HAMPER ASSEMBLY USING (2) HANDLE BOLTS (PART PP) AND THE PHILLIPS SCREWDRIVER

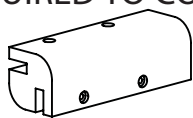
SECTION 4: DRAWER ASSEMBLY

STEP 1

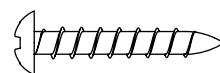
PARTS AND TOOLS REQUIRED TO COMPLETE SECTION



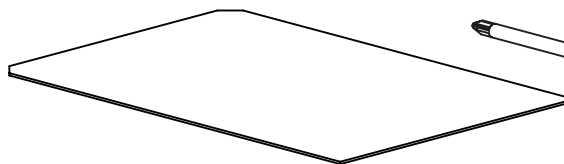
Y. TRUNDLE DRAWER
SHORT SIDE



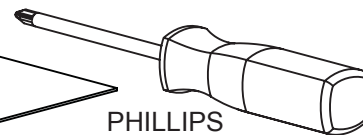
X. TRUNDLE DRAWER
CORNER x4



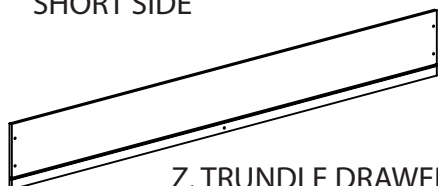
ZZ. 25mm SCREW x 18



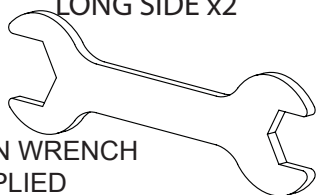
AA. TRUNDLE DRAWER
BOTTOM x2



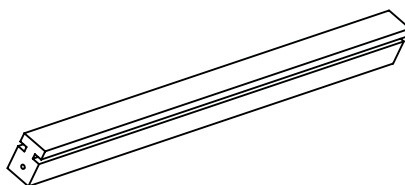
PHILLIPS
SCREWDRIVER
SUPPLIED



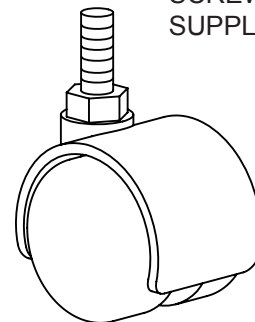
Z. TRUNDLE DRAWER
LONG SIDE x2



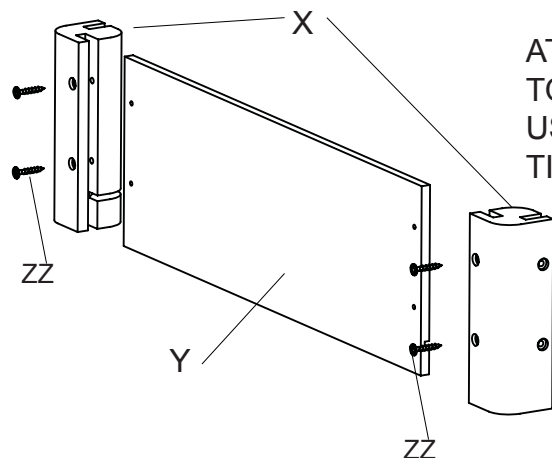
OPEN WRENCH
SUPPLIED



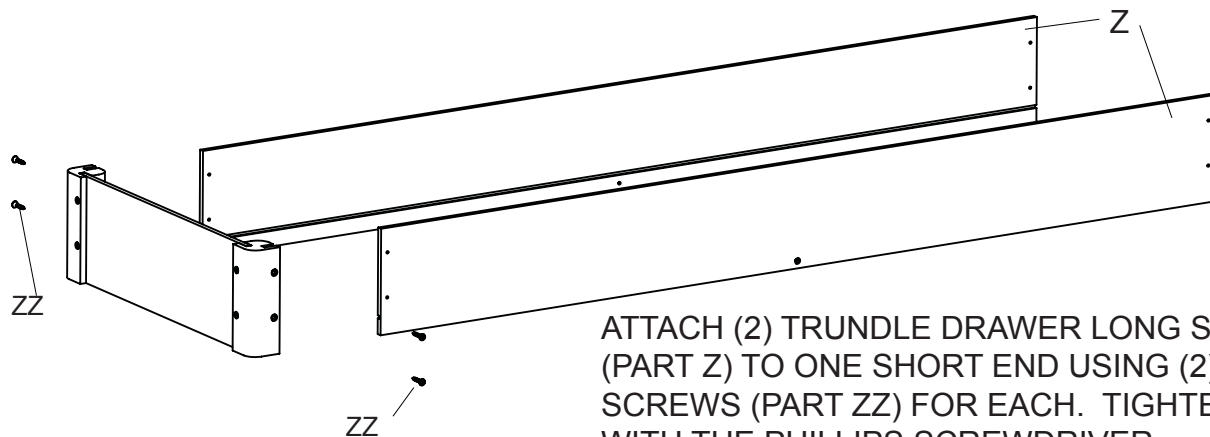
BB. TRUNDLE DRAWER
CENTER SUPPORT



MM. CASTER x4



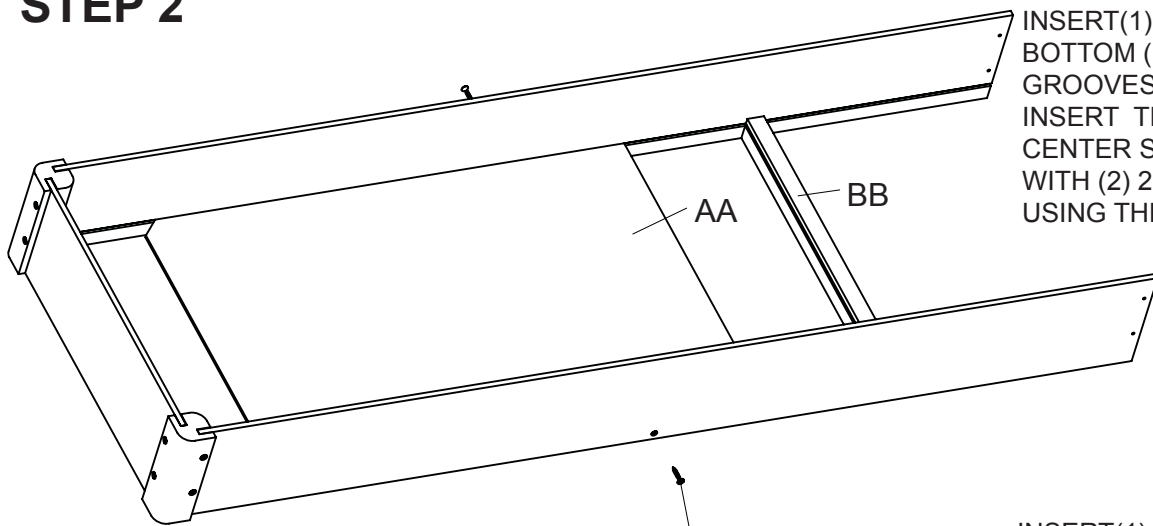
ATTACH (2) TRUNDLE DRAWER CORNERS (PART X)
TO EACH TRUNDLE DRAWER SHORT SIDE (PART Y)
USING (2) 25mm SCREWS (PART ZZ) FOR EACH.
TIGHTEN SCREW WITH THE PHILLIPS SCREWDRIVER



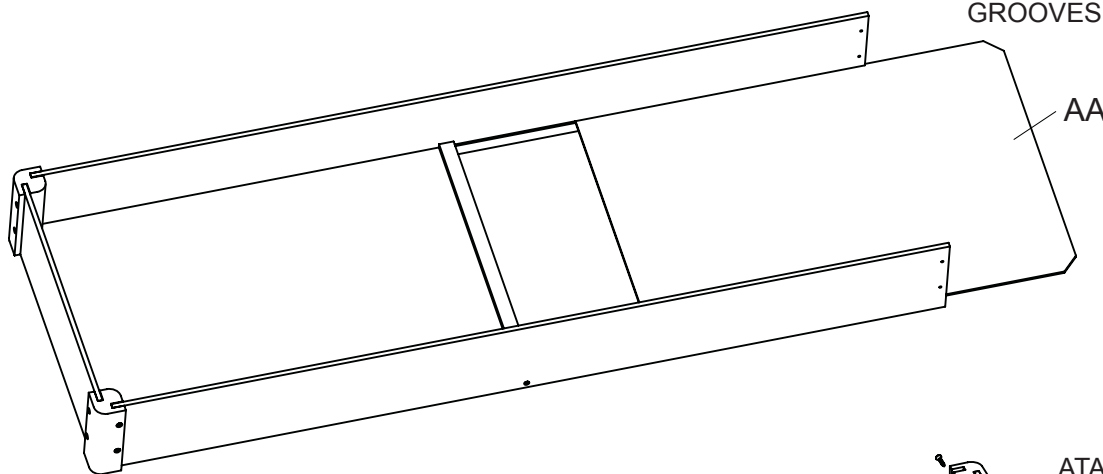
ATTACH (2) TRUNDLE DRAWER LONG SIDES
(PART Z) TO ONE SHORT END USING (2) 25mm
SCREWS (PART ZZ) FOR EACH. TIGHTEN SCREW
WITH THE PHILLIPS SCREWDRIVER

SECTION 4: DRAWER ASSEMBLY

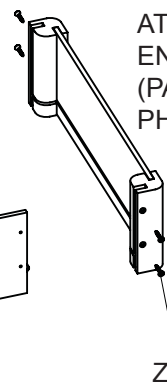
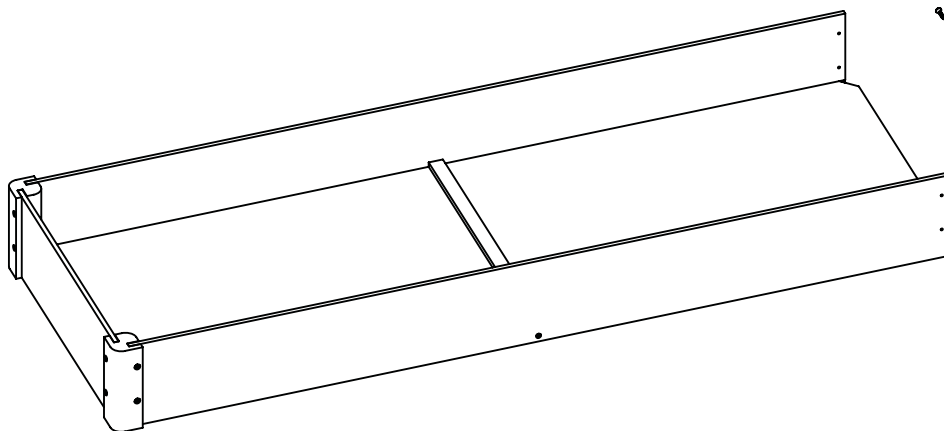
STEP 2



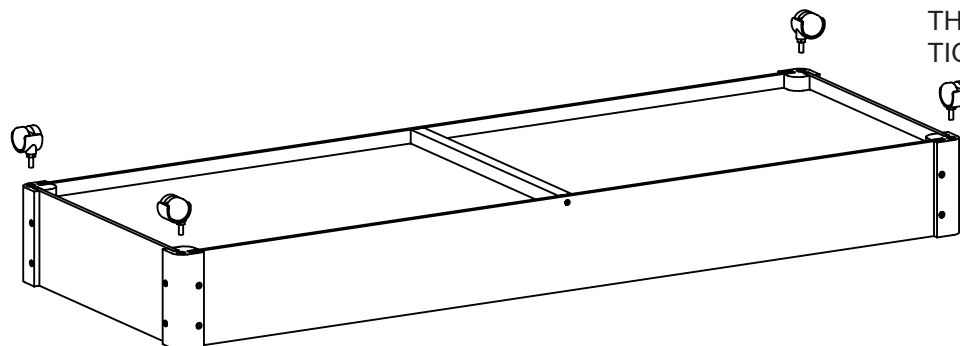
INSERT(1) TRUNDLE DRAWER BOTTOM (PART AA) IN THE GROOVES IN THE LONG SIDES
INSERT THE TRUNDLE DRAWER CENTER SUPPORT AND ATTACH WITH (2) 25mm SCREWS (PART ZZ) USING THE PHILLIPS SCREWDRIVER



INSERT(1) TRUNDLE DRAWER BOTTOM (PART AA) IN THE GROOVES IN THE LONG SIDES



ATTACH THE OTHER SHORT END WITH (4) 25mm SCREWS (PART ZZ) USING THE PHILLIPS SCREWDRIVER

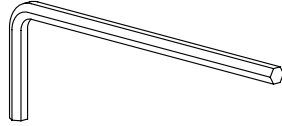


ATTACH THE CASTERS (PART MM) TO THE BOTTOM IN THE THREADED HOLES. TIGHTEN WITH THE OPEN WRENCH.

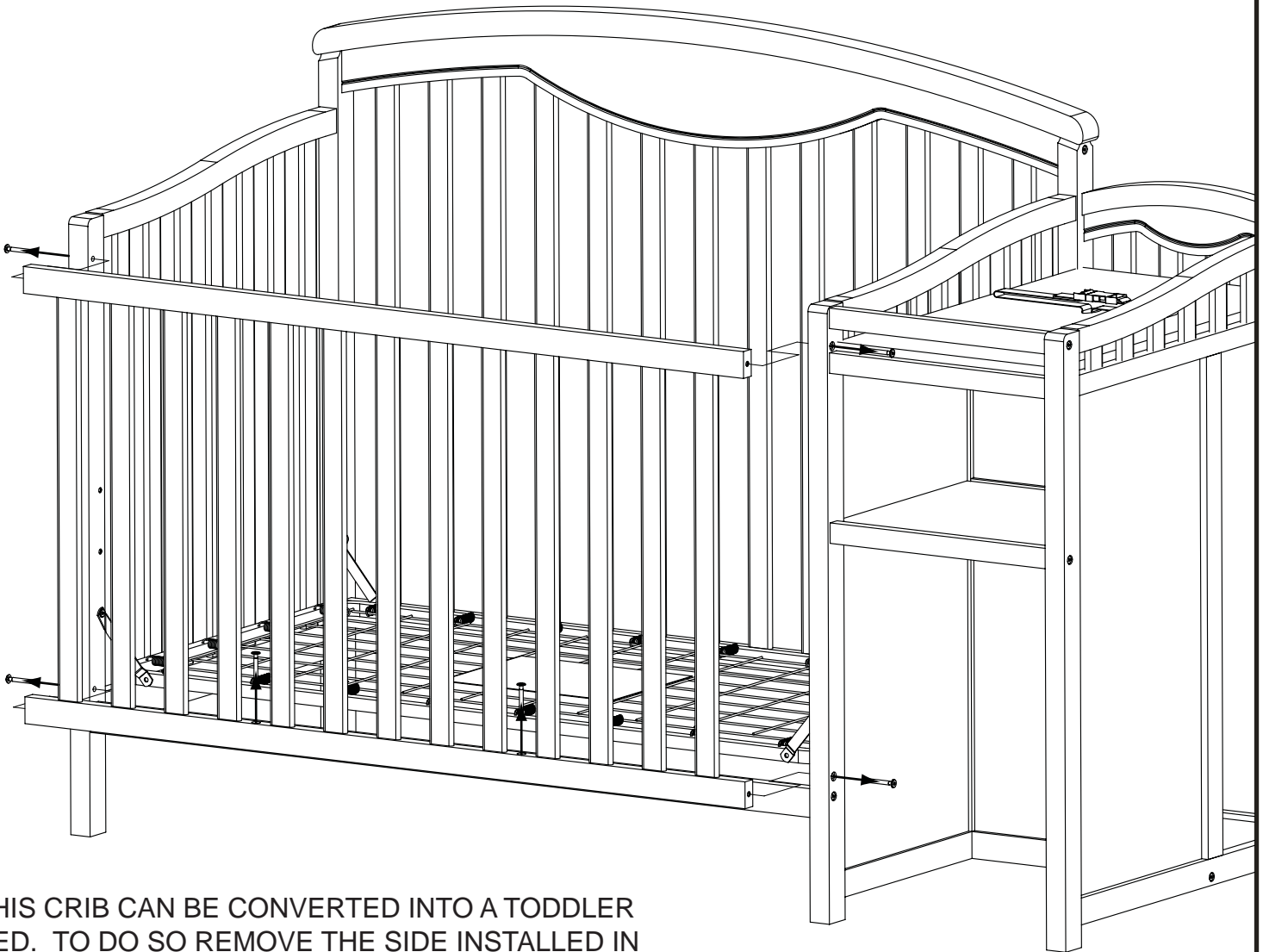
SECTION 5: TODDLER BED CONVERSION

STEP 1

PARTS AND TOOLS REQUIRED TO COMPLETE STEP



M4 ALLEN WRENCH

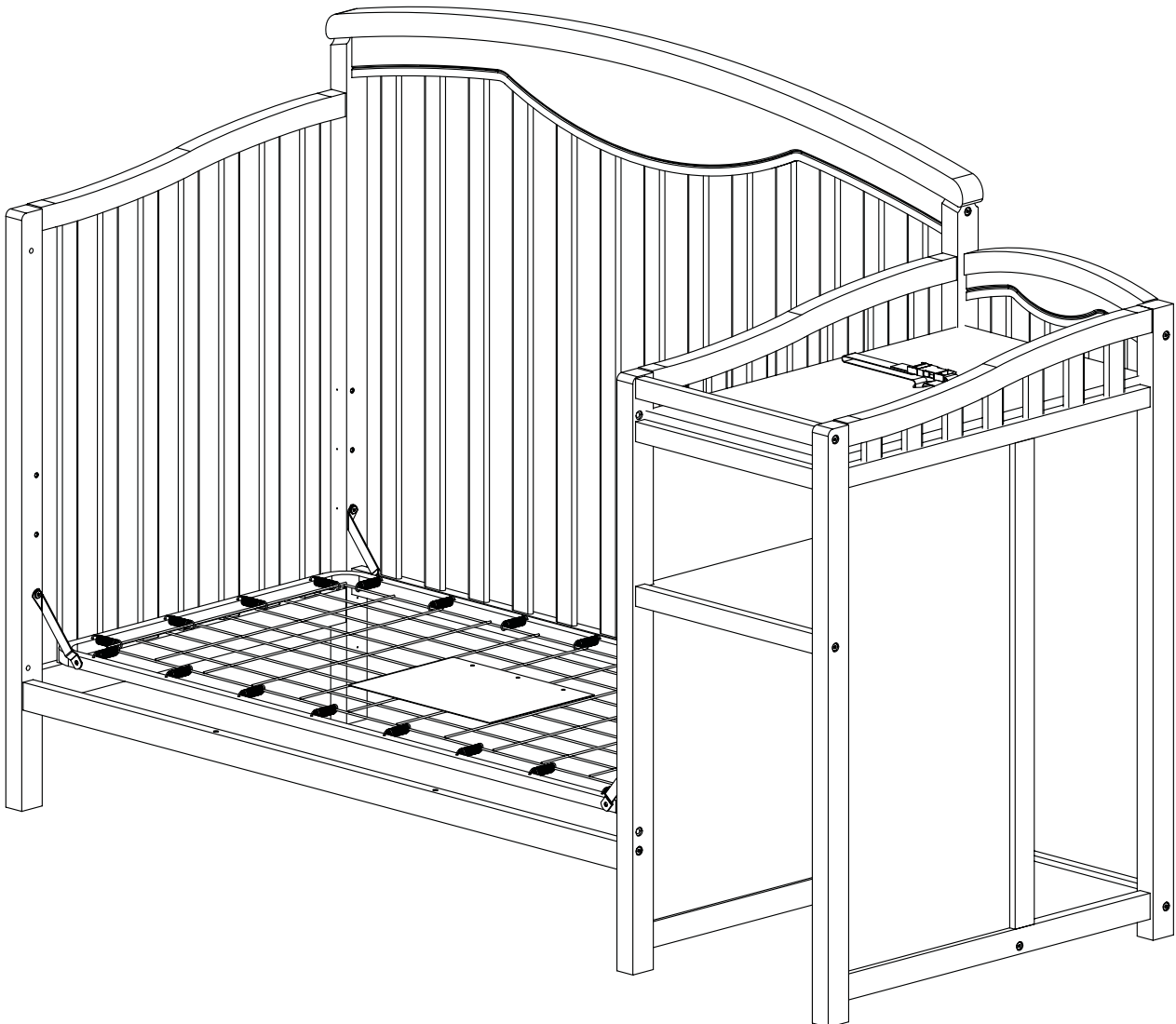


THIS CRIB CAN BE CONVERTED INTO A TODDLER BED. TO DO SO REMOVE THE SIDE INSTALLED IN STEP 4 OF SECTION 2 CRIB ASSEMBLY. THE MATTRESS SUPPORT MUST BE IN THE LOWEST POSITION. STORE ALL HARDWARE SAFELY. READ ALL WARNINGS ON PAGE 3

SECTION 5: TODDLER BED CONVERSION STEP 2

**⚠WARNING:
SEE PAGE 3 FOR
TODDLER BED
WARNINGS**

⚠WARNING:
THE STABILIZER BAR MUST BE USED TO AVIOD THE FORMATION OF A GAP
BETWEEN THE MATTRESS AND THE BED THAT COULD CAUSE AN ENTRAPMENT

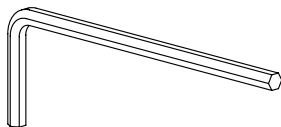


THE FINISHED TODDLER BED CAN ALSO BE USED AS A LOVESEAT SOFA.

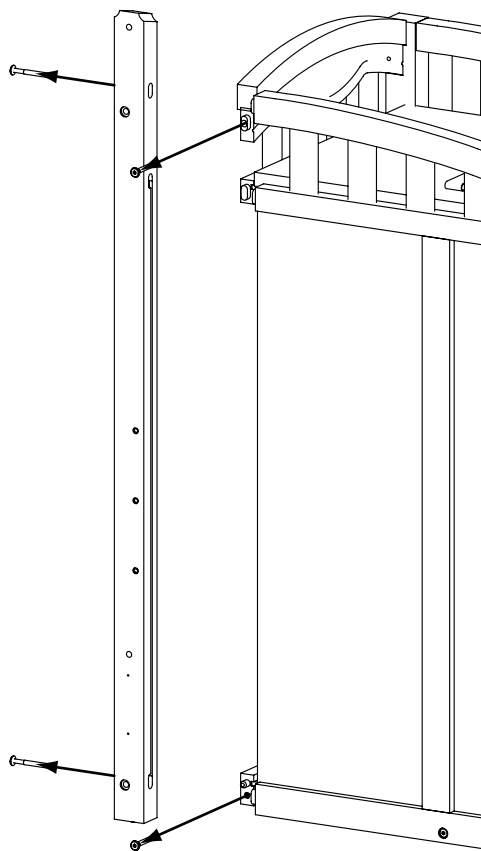
SECTION 6: FULL SIZE BED CONVERSION

STEP 1

PARTS AND TOOLS REQUIRED TO COMPLETE STEP

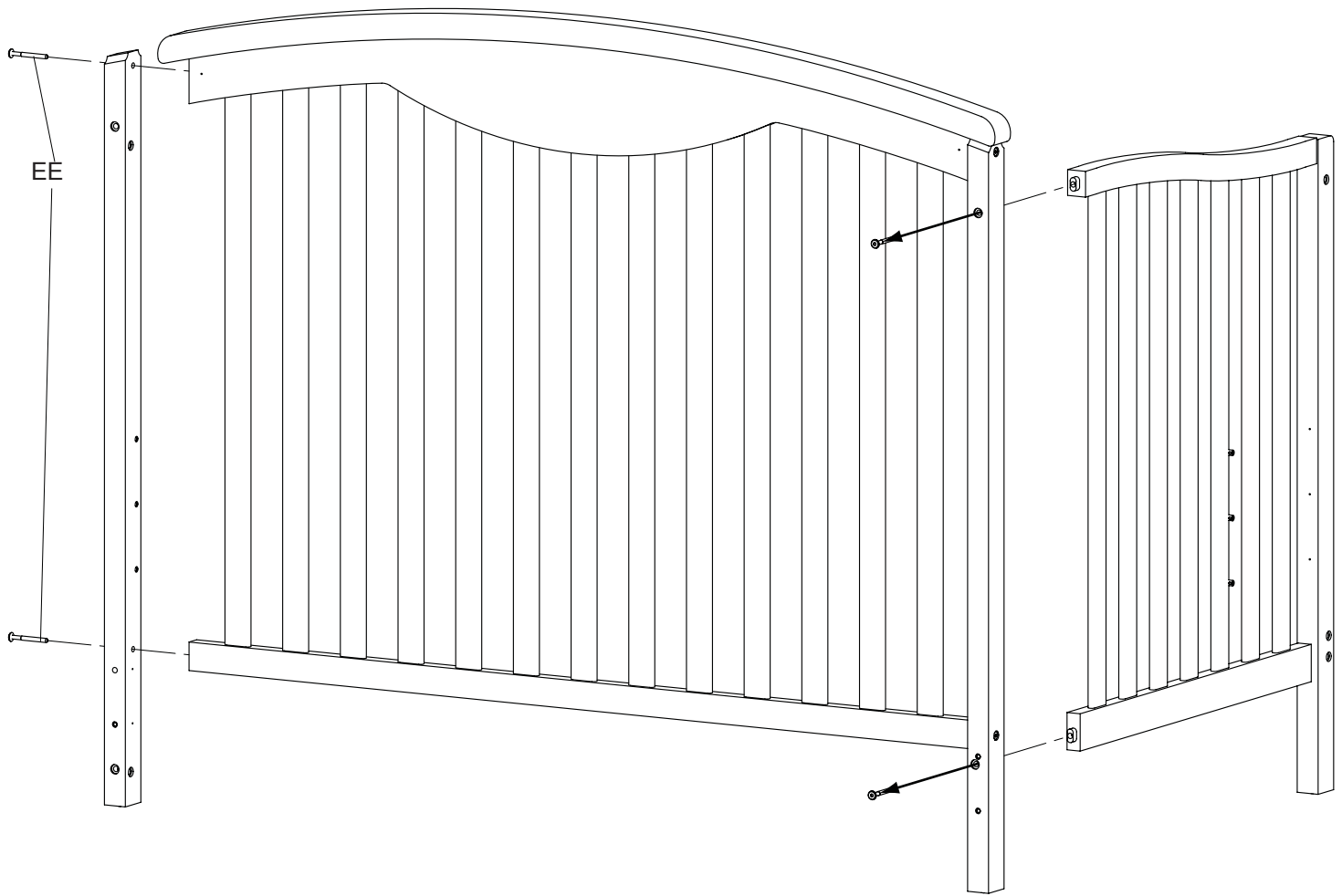


M4 ALLEN WRENCH



REMOVE SHELVES AND SHELF SUPPORTS. DISASSEMBLE THE CHANGER UNIT BY REVERSING ALL STEPS IN SECTION 1: CHANGER ASSEMBLY. REMOVE THE POST FROM THE LEFT CHANGER SIDE (PART A) BY REMOVING THE BOLTS. STORE ALL PARTS CAREFULLY FOR FUTURE USE, SEE PAGE 3 FOR INFORMATION.

SECTION 6: FULL SIZE BED CONVERSION STEP 2



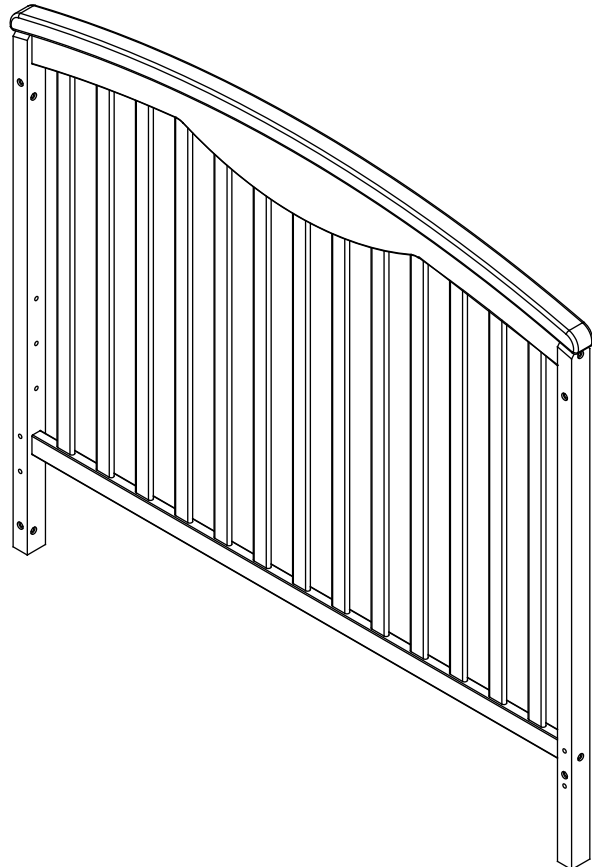
CREATE HEAD BOARD

DISSASSEMBLE THE CRIB END BY REMOVING THE PREASSEMBLED BOLTS WITH THE M4 ALLEN WRENCH.

ATTACH THE POST REMOVED FROM THE CHANGER IN THE PREVIOUS STEP TO THE END OF THE CRIB BACK SIDE WHERE IT WAS PREVIOUSLY ATTACHED USING (2) 50mm BOLTS (PART EE).

TIGHTEN BOLTS WITH THE M4 ALLEN WRENCH.

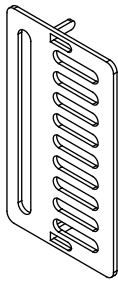
STORE ALL PARTS AND HARDWARE IN A SAFE PLACE. SEE PAGE 3 FOR INFORMATION



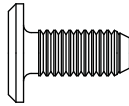
SECTION 6: FULL SIZE BED CONVERSION

STEP 3

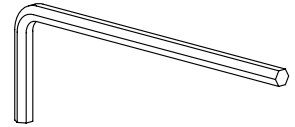
PARTS AND TOOLS REQUIRED TO COMPLETE STEP



YY. ADAPTER PLATE x2



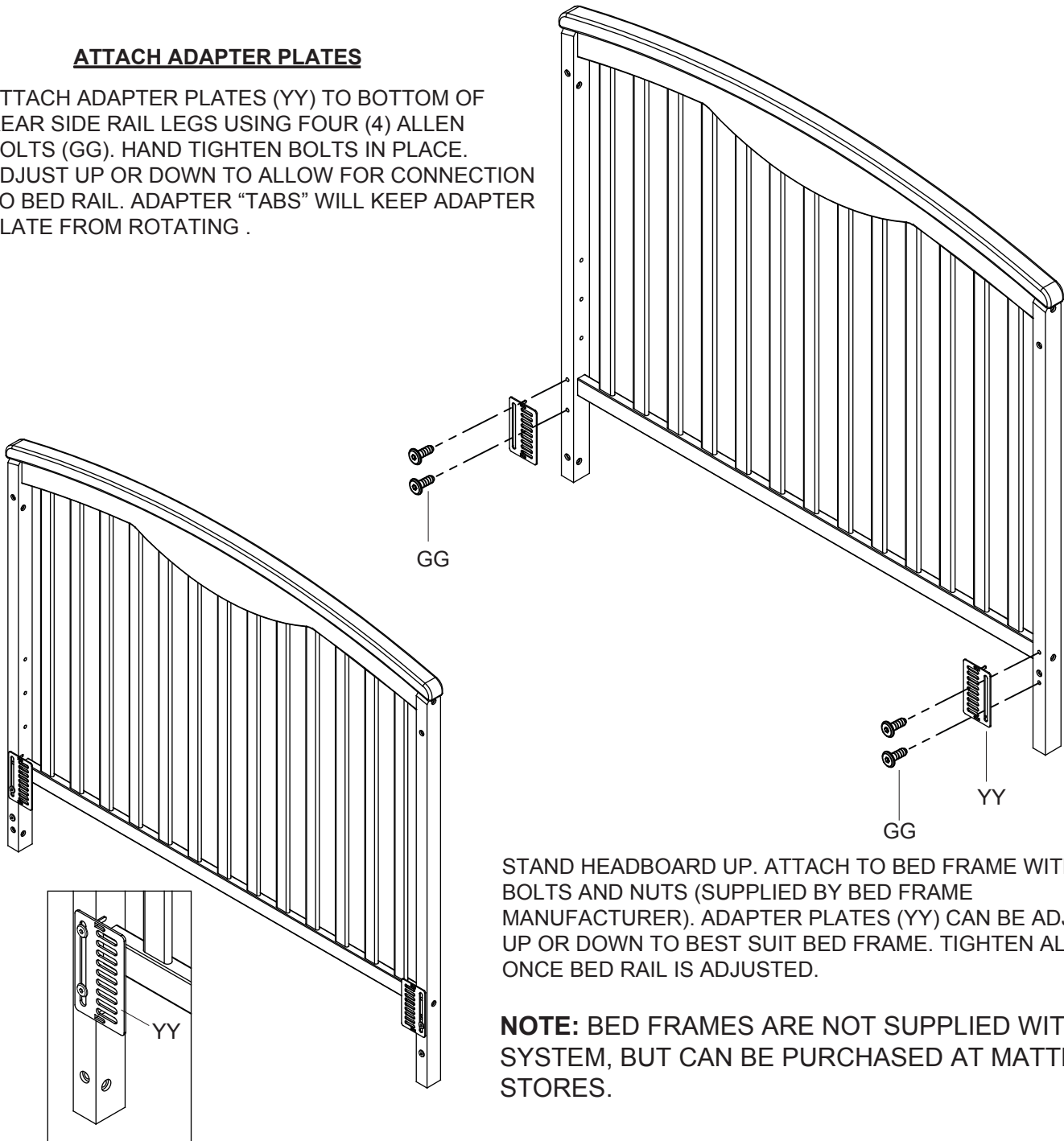
GG. 14mm BOLT x 4



M4 ALLEN WRENCH

ATTACH ADAPTER PLATES

ATTACH ADAPTER PLATES (YY) TO BOTTOM OF REAR SIDE RAIL LEGS USING FOUR (4) ALLEN BOLTS (GG). HAND TIGHTEN BOLTS IN PLACE. ADJUST UP OR DOWN TO ALLOW FOR CONNECTION TO BED RAIL. ADAPTER "TABS" WILL KEEP ADAPTER PLATE FROM ROTATING .



STAND HEADBOARD UP. ATTACH TO BED FRAME WITH BOLTS AND NUTS (SUPPLIED BY BED FRAME MANUFACTURER). ADAPTER PLATES (YY) CAN BE ADJUSTED UP OR DOWN TO BEST SUIT BED FRAME. TIGHTEN ALL BOLTS ONCE BED RAIL IS ADJUSTED.

NOTE: BED FRAMES ARE NOT SUPPLIED WITH THIS SYSTEM, BUT CAN BE PURCHASED AT MATTRESS STORES.



Children's Products

Customer Service:

Web Site: www.deltachildrensproducts.com

Delta Children's Products

114 West 26th Street

New York, NY 10001

Tele.212-645-9033

Warranty: This Delta Crib is warranted to be free from defects for a period of 90 days from the date of purchase under normal use. This warranty extends only to the original retail purchaser and is valid only when supplied with proof of purchase, or if received as a gift, when the registration is on file with Delta.

Please do not return this item to the store before contacting us about missing parts or with any questions.

In the event that you need to contact our customer service department please have the model number and manufacturers code available. To report a problem, please log on to **www.deltachildrensproducts.com** and click the Customer Service Tab, or log on to **www.deltaenterprise.com/customer_service.asp**, or contact us by phone at (212) 645-9033.

Use the space below to make note of those numbers.

Model Number: _____

Manufacturer's Code: _____

Date of Purchase: _____ (you should also keep your receipt)