

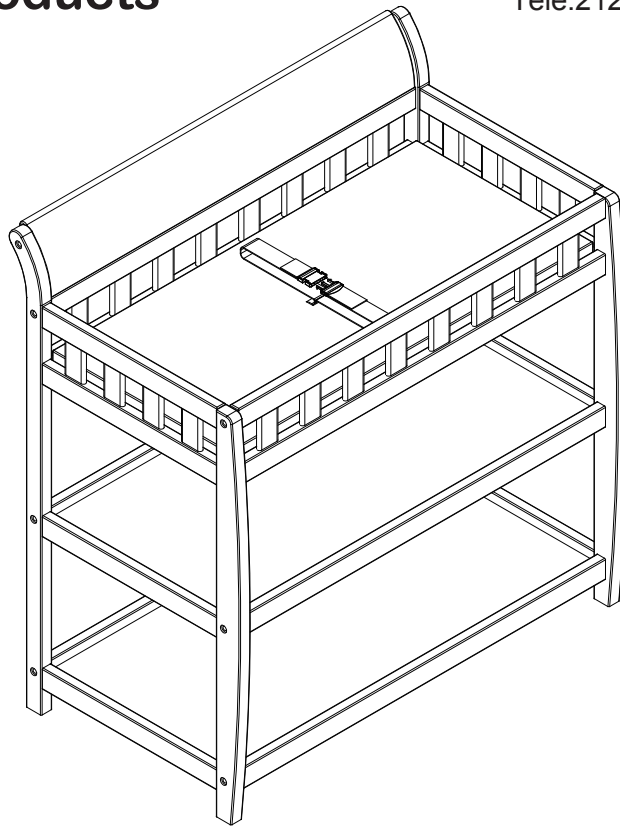
READ ALL INSTRUCTIONS BEFORE
ASSEMBLY AND USE.

KEEP INSTRUCTIONS FOR FUTURE USE.
⚠️ ADULT ASSEMBLY REQUIRED
DUE TO THE PRESENCE OF SMALL PARTS
DURING ASSEMBLY, KEEP OUT OF REACH OF
CHILDREN UNTIL ASSEMBLY IS COMPLETE.

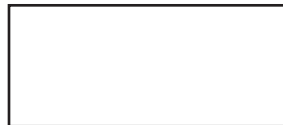


DeltaTM
Children's Products

Consumer Care:
www.deltachildrenproducts.com
Delta Children's Products
114 West 26th Street
New York, NY 10001
Tele. 212-645-9033



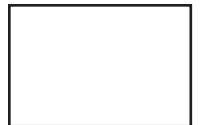
STYLE No: 7595



COLOR



REV



FTY

THIS PRODUCT IS NOT INTENDED FOR INSTITUTIONAL OR COMMERCIAL USE.

If you have any questions or missing parts, contact us. DO NOT return product parts to the store from where it was purchased before contacting Delta Children's Products Customer Service.

Make sure that all preassemble parts are tight. The appearance of your product may be different from that pictured in this booklet.

To register your product for important safety alerts and updates to your product please visit www.deltachildrenproducts.com

WARNING: CHANGING TABLE

Fall hazard - to prevent death or serious injury, always keep child within arm's reach.

Read all instructions before use of the changing table.

KEEP THESE INSTRUCTIONS IN A SAFE PLACE FOR FUTURE USE.

Inspect the changing table periodically. **Do not** use the changing table if it is damaged or broken.

Contact Delta Children's Products with any questions.

Tighten all loose screws and bolts before each use.

The maximum recommended weight of the child is 30lbs for the changing table.

Use only the pad provided by Delta Children's Products.

Always secure the pad provided to the changing surface by inserting the safety belt through the slot in the changing pad.

NOTES ON ASSEMBLY:

-During the assembly process whenever using screws or bolts, check each by placing the screw/bolt on the diagram of the item which is drawn actual size and design. Be sure to use the proper size and shape specified in the instructions.

-To assemble this unit you may be required to place the unit on it's side and face. It is strongly recommended that assembly is done on a soft, non-abrasive surface to avoid damaging the finish.

NOTES ON USE:

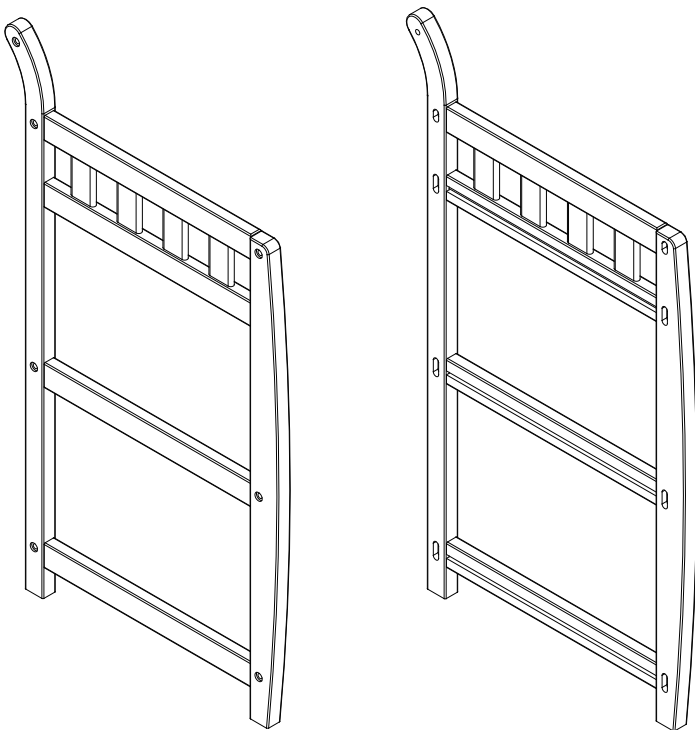
Keep children and others safe by following these simple rules:

- **Do not** allow any child to play on furniture
- **Do not** allow climbing on any piece of furniture.
- **Do not** allow hanging from any piece of furniture.
- Always monitor your child's activity when in the nursery.

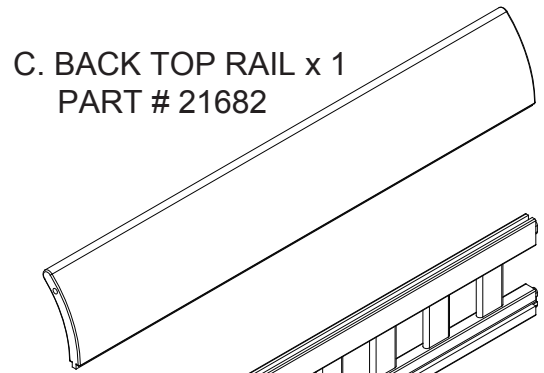
NOTES ON CARE AND MAINTENANCE:

- **Do not** scratch or chip the finish.
- Inspect the product periodically, contact delta children's products for replacement parts or questions.
- **Do not** store the product or any parts in extreme temperatures and conditions such as a hot attic or a damp, cold basement. These extremes can cause a loss of structural integrity.
- To preserve the luster of the high quality finish on your product, it is recommended to place a doily or felt pad under any items you place on the finish.
- Clean with a damp cloth, then a dry cloth to preserve the original luster and beauty of this fine finish.
- Do not** use abrasive chemicals.
- Do not** spray cleaners directly onto furniture.
- Lift slightly when moving on carpeting to prevent leg breakage.
- Use of a vaporizer near furniture will cause wood to swell and finish to peel.

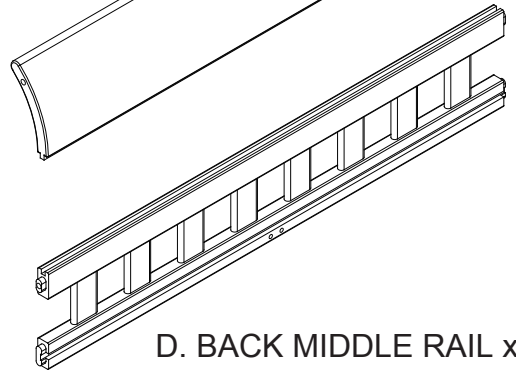
PARTS: MAKE SURE THAT ALL PRE-ASSEMBLED PARTS ARE TIGHT.



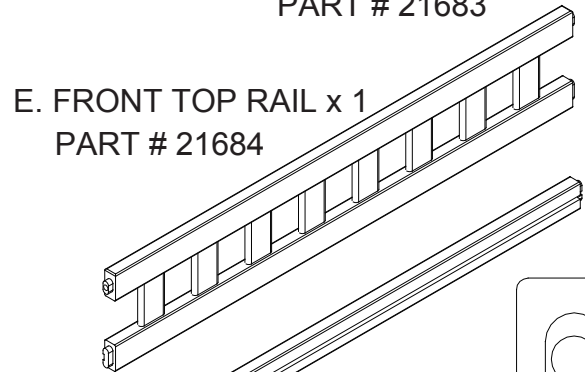
A. LEFT END FRAME x 1 PART # 21680 B. RIGHT END FRAME x 1 PART # 21681



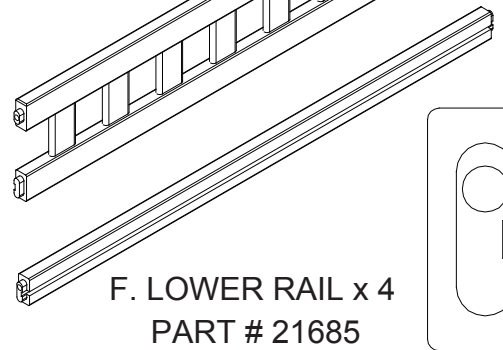
C. BACK TOP RAIL x 1 PART # 21682



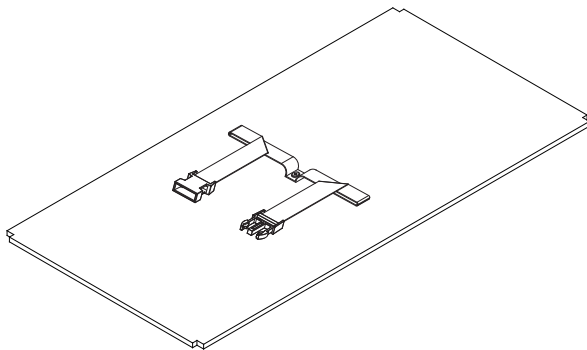
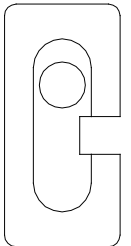
D. BACK MIDDLE RAIL x 1 PART # 21683



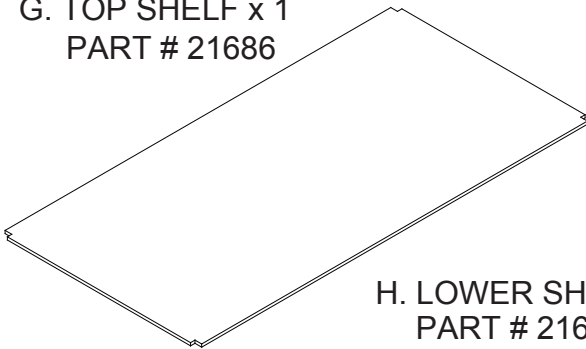
E. FRONT TOP RAIL x 1 PART # 21684



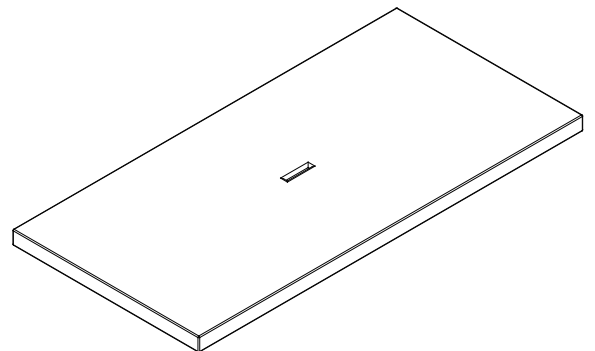
F. LOWER RAIL x 4 PART # 21685



G. TOP SHELF x 1 PART # 21686

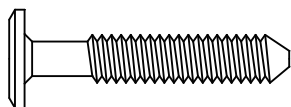
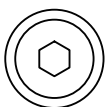


H. LOWER SHELF x 2 PART # 21687

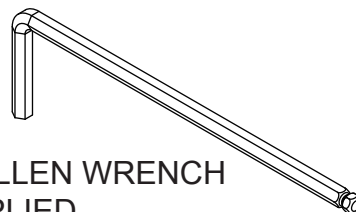


J. FOAM PAD x 1 PART # 13927

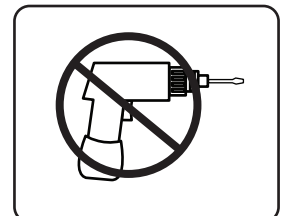
PARTS: HARDWARE KIT IS PART # 21689 FOR COLOR 100 OR # 21688 FOR COLOR 204. SEE FRONT COVER.



K. M6x35 mm BOLT x 14



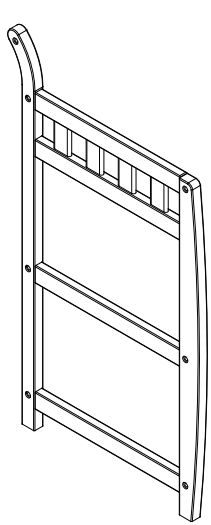
M4 ALLEN WRENCH SUPPLIED



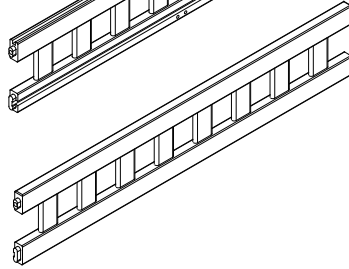
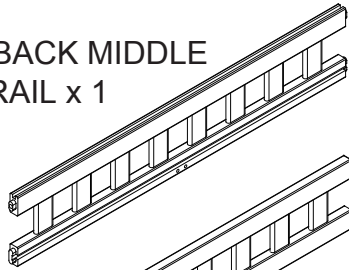
SECTION 1: CHANGING TABLE ASSEMBLY

STEP 1

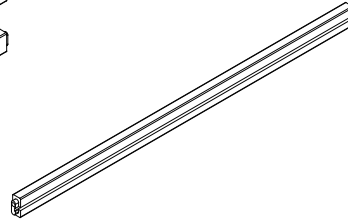
PARTS AND TOOLS REQUIRED TO COMPLETE STEP



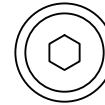
D. BACK MIDDLE RAIL x 1



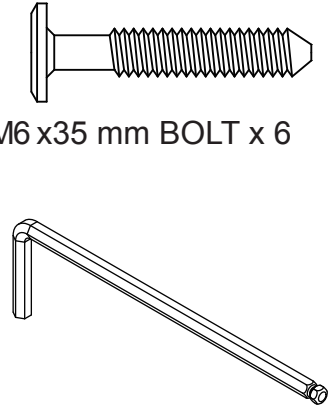
E. FRONT TOP RAIL x 1



F. LOWER RAIL x 4



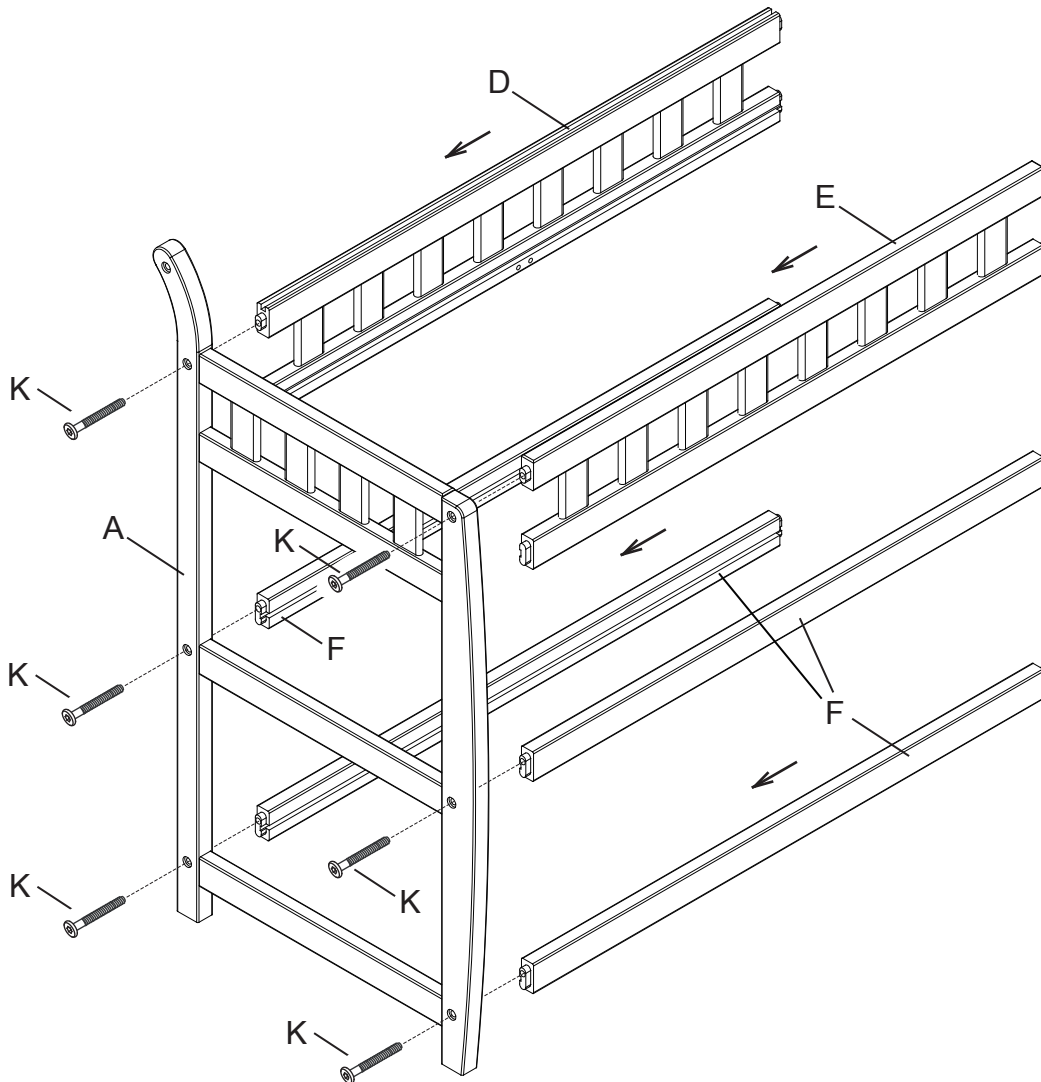
K. M6x35 mm BOLT x 6



M4 ALLEN WRENCH SUPPLIED

A. LEFT END FRAME x 1

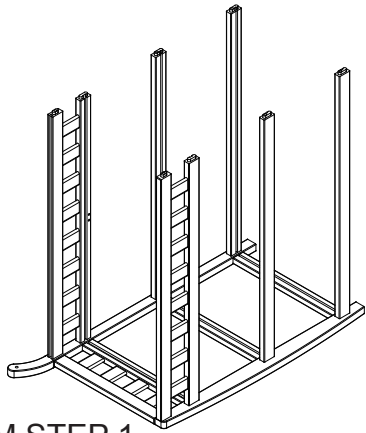
ATTACH (1) BACK TOP RAIL (PART D), (1) FRONT TOP RAIL (PART E) AND (4) LOWER RAILS (PART F) TO THE LEFT END FRAME (PART A) WITH (6) M6x35mm BOLTS (PART K) USING THE M4 ALLEN WRENCH AS SHOWN. **BE SURE THE GROOVES FACE TO THE INSIDE.**



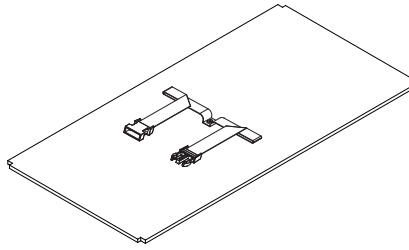
SECTION 1: CHANGING TABLE ASSEMBLY

STEP 2

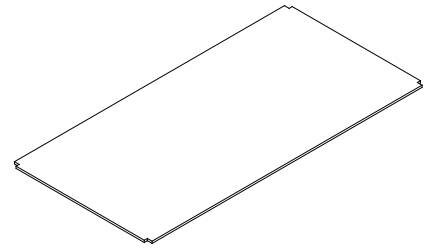
PARTS AND TOOLS REQUIRED TO COMPLETE STEP



FROM STEP 1



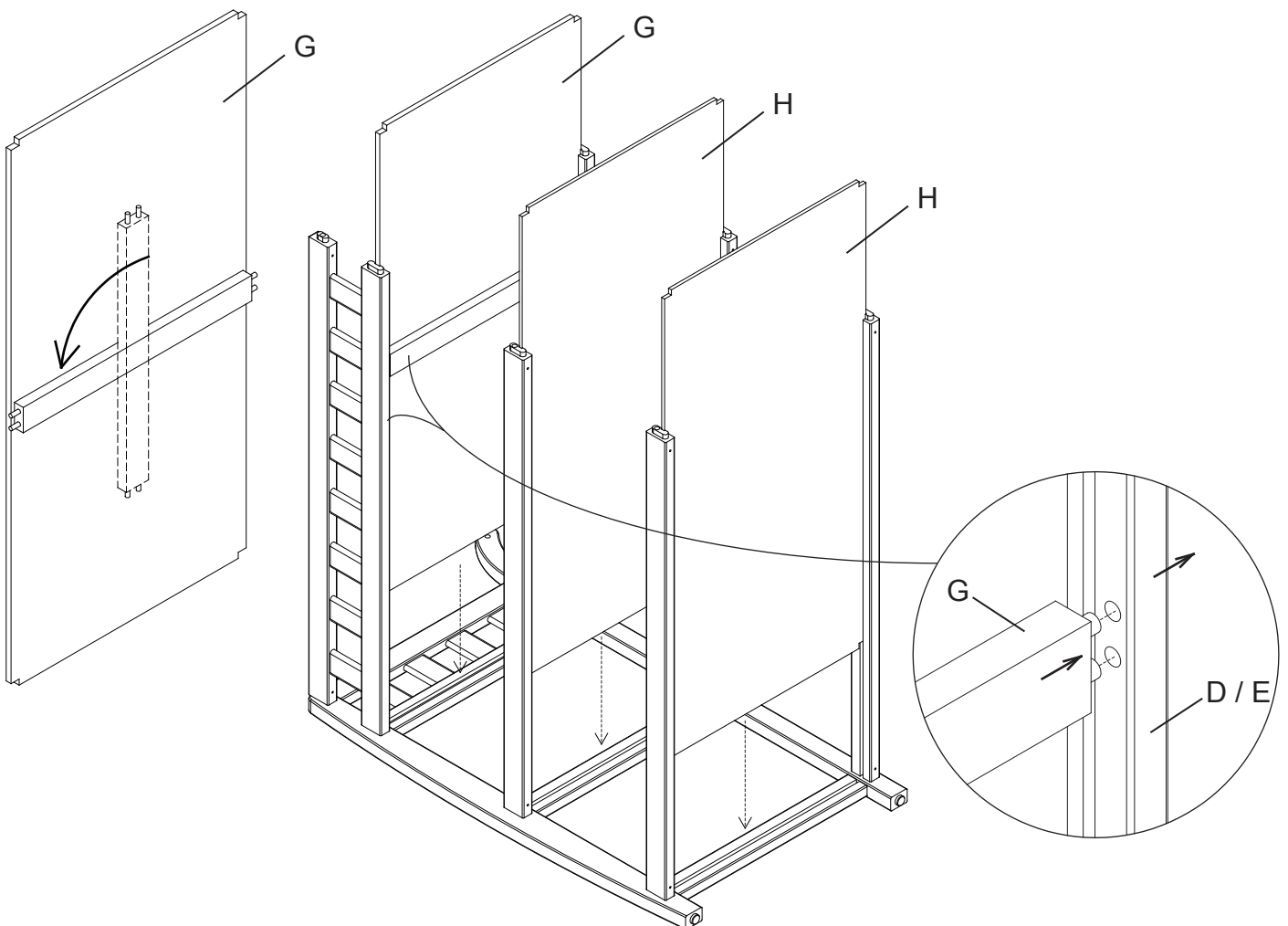
G. TOP SHELF x 1



H. LOWER SHELF x 2

ROTATE THE TOP SHELF SUPPORT 90 DEGREES.

LAY THE LEFT END FRAME ON THE FLOOR, RAILS UP. SLIDE THE TOP SHELF (PART G) IN THE GROOVES ON THE BACK MIDDLE RAIL AND FRONT TOP RAIL, INTO THE GROOVE ON THE LEFT END FRAME, INSERT THE PINS ON THE TOP SHELF INTO THE HOLES IN THE RAILS. **GENTLY PULL THE RAILS APART.** SLIDE (2) LOWER SHELVES (PART H) IN THE GROOVES ON THE LOWER RAILS, INTO THE GROOVES ON THE LEFT END FRAME AS SHOWN.

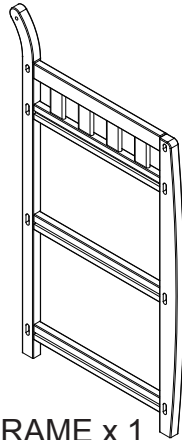
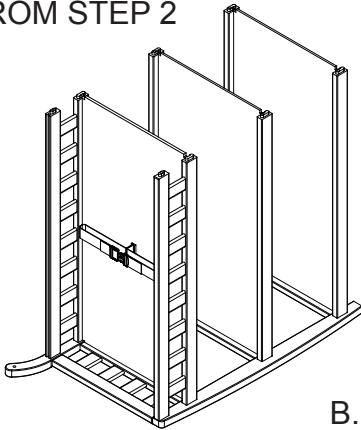


SECTION 1: CHANGING TABLE ASSEMBLY

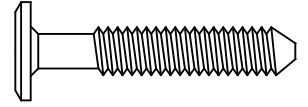
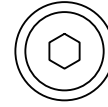
STEP 3

PARTS AND TOOLS REQUIRED TO COMPLETE STEP

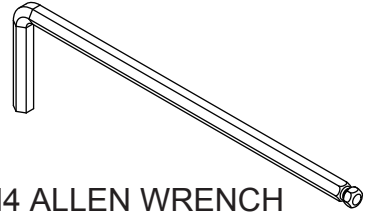
FROM STEP 2



B. RIGHT END FRAME x 1

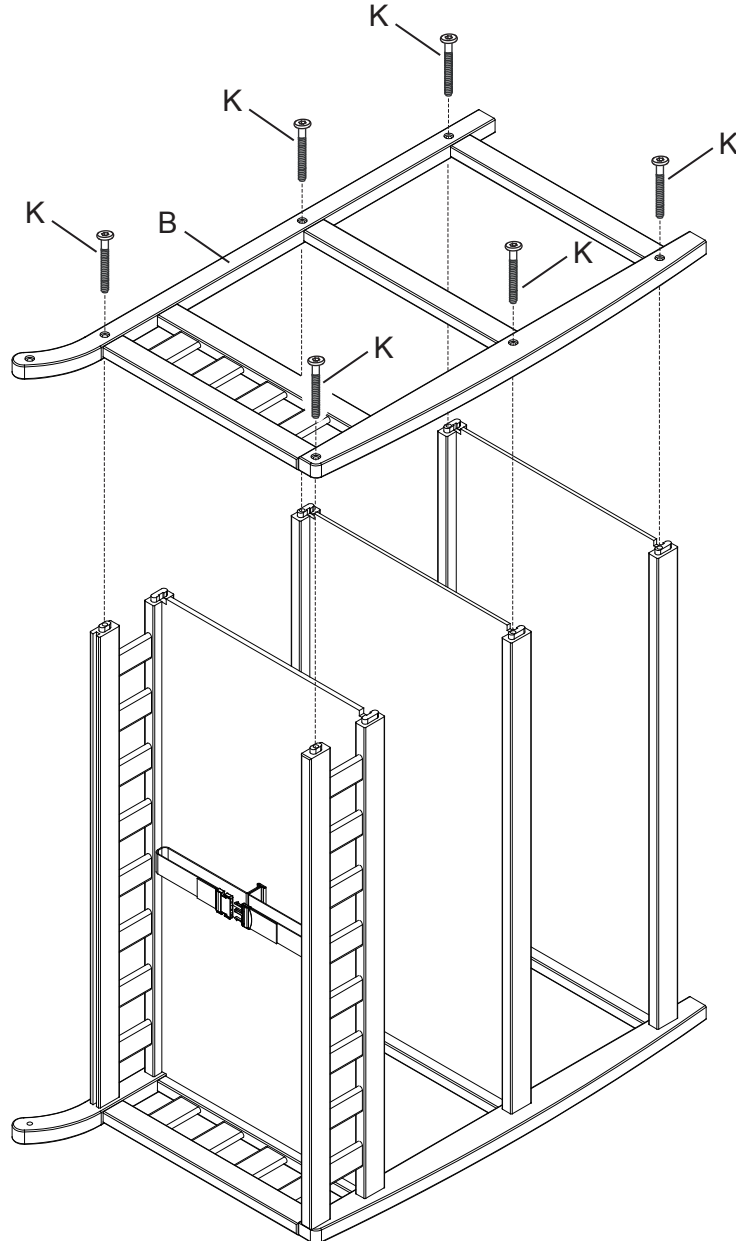


K. M6 x35 mm BOLT x 6



M4 ALLEN WRENCH
SUPPLIED

ATTACH (1) RIGHT END FRAME (PART B) TO THE ASSEMBLY FROM STEP 2 WITH (6) M6x35 mm BOLTS (PART K) USING THE M4 ALLEN WRENCH AS SHOWN.

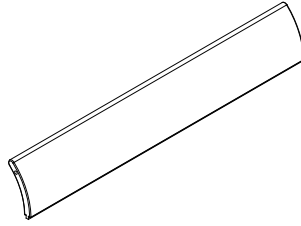
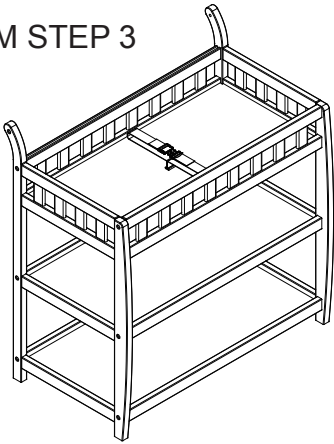


SECTION 1: CHANGING TABLE ASSEMBLY

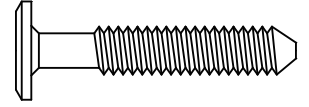
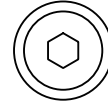
STEP 4

PARTS AND TOOLS REQUIRED TO COMPLETE STEP

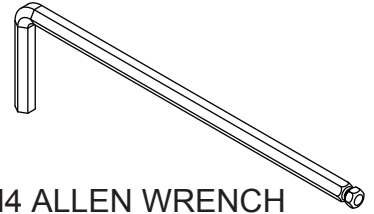
FROM STEP 3



C. BACK TOP RAIL x 1

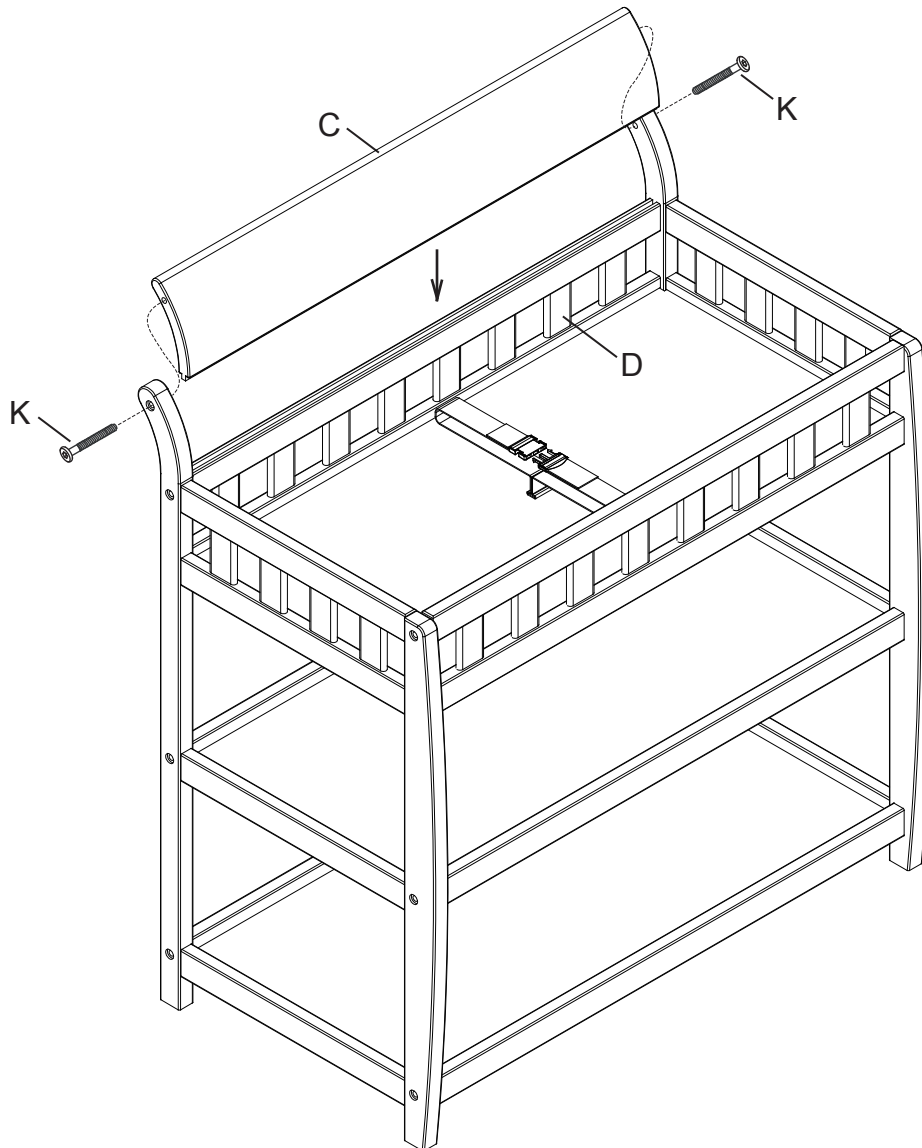


K. M6x35 mm BOLT x 2



M4 ALLEN WRENCH
SUPPLIED

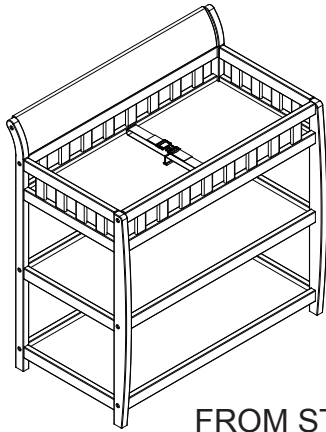
INSERT THE TENON OF THE BACK TOP RAIL (PART C) INTO THE SLOT ON THE TOP OF THE BACK MIDDLE RAIL (PART D), THEN INSERT (2) M6x35 mm BOLTS (PART K), THROUGH THE REAR LEGS INTO THE THREADED INSERTS ONTO THE BACK MIDDLE RAIL (PART D). TIGHTEN WITH THE M4 ALLEN WRENCH .



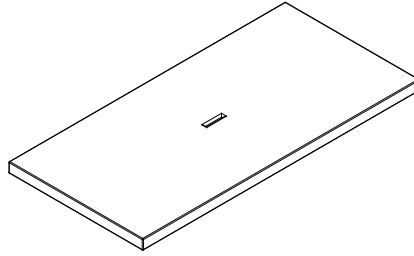
SECTION 1: CHANGING TABLE ASSEMBLY

STEP 5

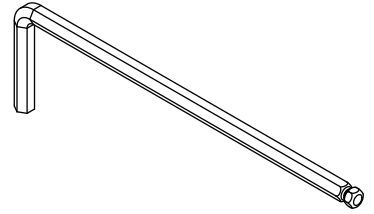
PARTS AND TOOLS REQUIRED TO COMPLETE STEP



FROM STEP 4

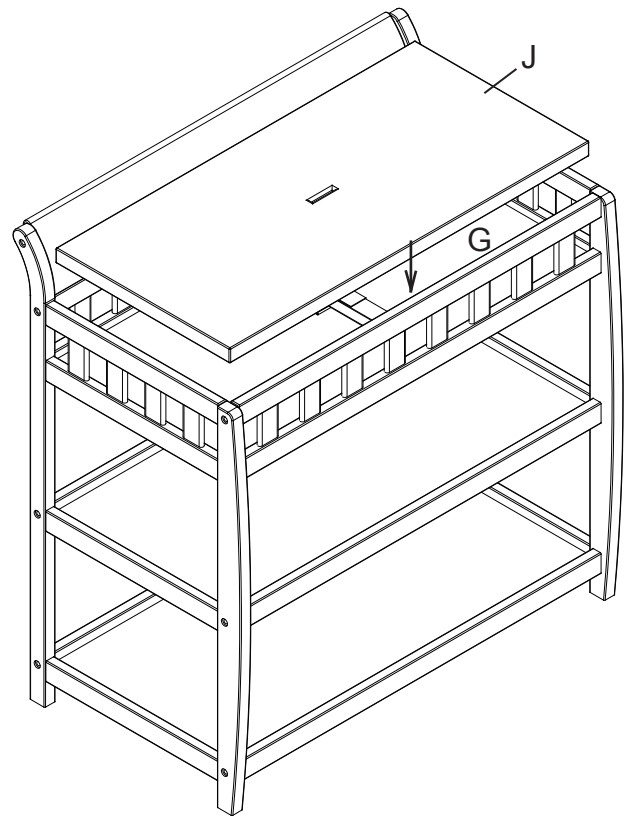
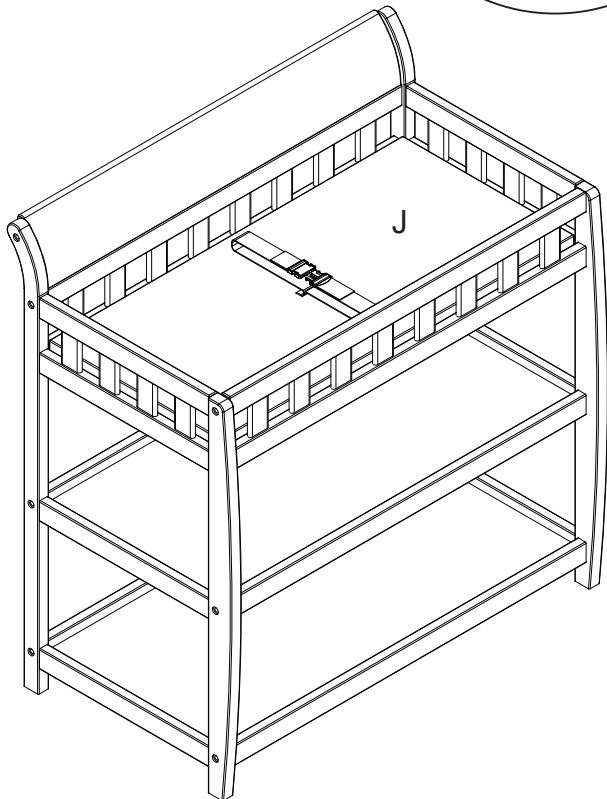
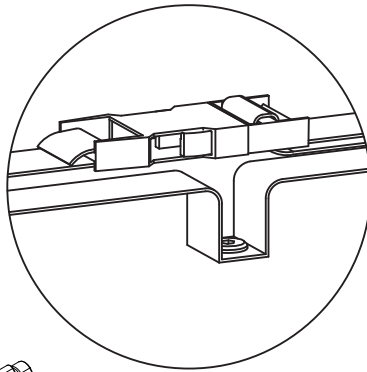


J. FOAM PAD x 1



M4 ALLEN WRENCH
SUPPLIED

1. CHECK THAT THE BOLT SECURING THE STRAP IS TIGHT USING THE M4 ALLEN WRENCH.
2. INSERT THE STRAP THROUGH THE HOLE IN THE FOAM PAD (PART J).
3. PLACE FOAM PAD (PART J) ON TOP SHELF (PART G).



SECTION 1: CHANGING TABLE ASSEMBLY

FINAL

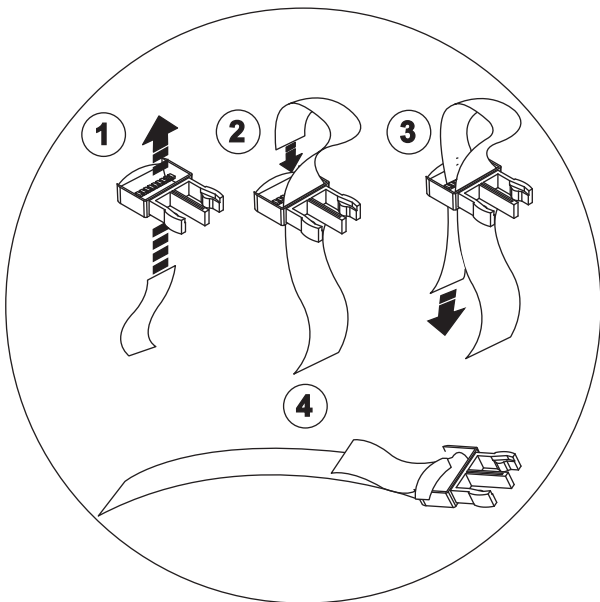
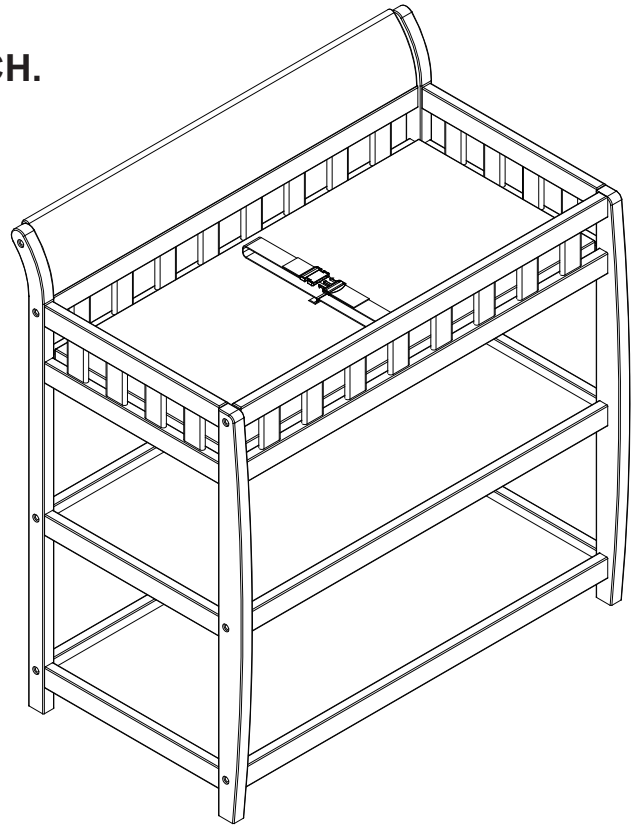
RESTRAINT HARNESS SYSTEM USE:

- . PLACE THE INFANT ON THE CHANGING TABLE FOAM PAD.
- . POSITION THE RESTRAINT HARNESS OVER THE MIDDLE OF THE INFANT'S TORSO AND INSERT THE BUCKLED ENDS INTO EACH OTHER UNTIL THE LOCK SHUT WITH A CLICK.
- . GENTLY PULL THE LOOSE END OF THE STRAP TO LIGHTLY SNUG THE RESTRAINT HARNESS AROUND THE INFANT.

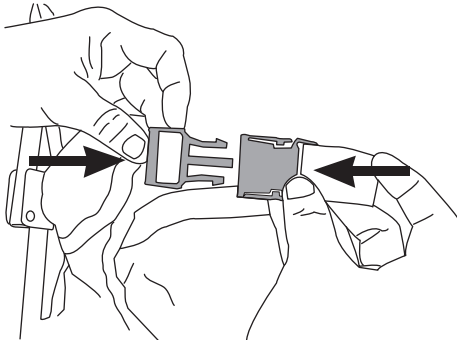
MAINTENANCE

- . CHECK FASTENERS PERIODICALLY FOR TIGHTNESS. DO NOT OVER TIGHTEN. THIS MAY CAUSE DISTORTION OR BREAKAGE.

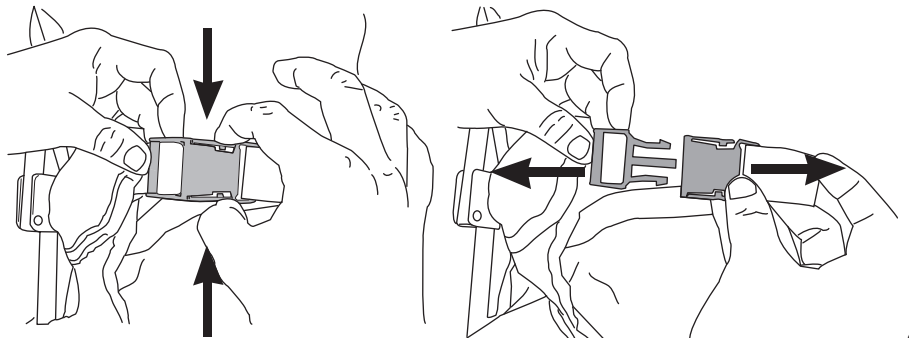
⚠ WARNING : FALL HAZARD
ALWAYS KEEP CHILD WITHIN ARMS REACH.



TO FASTEN STRAP - PUTH BUCKLE SIDE TOGETHER-
ERBESURE BUCKLE IS FULLY FASTENED TO
SECURE CHILD SAFFELY



TO RELEASE PRESS BOTH TABS AND PULL APART





Children's Products

Consumer Care:

www.deltachildrenproducts.com

Delta Children's Products

114 West 26th Street

New York, NY 10001

Tele. 212-645-9033

Warranty: This Delta Product is warranted to be free from defects for a period of 90 days from the date of purchase under normal use. This warranty extends only to the original retail purchaser and is valid only when supplied with proof of purchase, or if received as a gift, when the registration is on file with Delta.

To register your product for important safety alerts and updates to your product please visit **www.deltachildrenproducts.com**

Please do not return this item to the store before contacting us about missing parts or with any questions.

To report a problem, please log on to **www.deltachildrenproducts.com** and click the Consumer Care Tab, or contact us by phone at (212) 645-9033.

In the event that you need to contact our customer service department please have the Style Number and Lot Number available. Use the space below to make note of those numbers. They can be found on the label on top shelf.

Style No.: _____

Lot No. : _____

Pack Date: _____

Date of Purchase: _____ (you should also keep your receipt)