

iComfort Auto Gliding **BASSINET**



701605-XXXX

Styles and colors may vary

ASSEMBLY INSTRUCTIONS

⚠ WARNING: **CHOKING HAZARD**

Adult assembly required because of small parts. Keep assembly parts out of reach of children under 3 years.



REQUIRED: Phillips Screwdriver (not included)

IMPORTANT: Read all instructions before assembly and use of the product. Keep the instructions for future reference.



Consumer Information



WARNING

WARNING: Do not use this bassinet if you cannot exactly follow the accompanying instructions. Failure to follow these warnings and instructions could result in serious injury or death.

- **Read all instructions before assembling unit.**

KEEP INSTRUCTIONS FOR FUTURE USE.

DO NOT USE THIS UNIT IF THE INSTRUCTIONS CANNOT BE STRICTLY FOLLOWED.

- Before each usage or assembly, inspect unit for damaged hardware, loose joints, missing parts or sharp edges. NEVER use this product if there are any loose or missing fasteners, loose joints, broken parts, or torn mesh/fabric. Check before assembly and periodically during use. Contact Simmons Customer Service Department at 1-646-435-8726 for replacement parts, repair or instructions.

SUFFOCATION HAZARD

Infants have suffocated:

- In gaps between an extra padding, a mattress (too small or too thick) and product sides.
- On soft bedding.
- Use only the pad provided by the manufacturer that is no thicker than 25 mm (1 In) and is of such a size that, when pushed against any side of the product, it does not leave a gap of more than 25 mm (1 in) between the mattress and sides.
- **NEVER** add a pillow, comforter or another mattress for padding.
- Do not leave child unattended in the bassinet when it is in the “rocking/gliding” mode. Always make sure the wheels or stands are in the locked “down” position. Remove any tools or excess parts including plastic packaging from bassinet vicinity after assembly.

FALL HAZARD: To help prevent falls, DO NOT use this product when the infant begins to push up on hands and knees or has reached manufacturer’s recommended maximum weight of 13.6kg (30lbs), whichever comes first.

STRANGULATION HAZARD: Children have STRANGLED in cords. Keep the cord out of reach of children.

- Strings can cause strangulation! DO NOT place items with a string around a child’s neck, such as hood strings or pacifier cords. DO NOT suspend strings over a product or attach strings to toys.
- To reduce the risk of SIDS, pediatricians recommend healthy infants be placed on their backs to sleep, unless otherwise advised by your physician.
- Always attach all provided fasteners tightly according to the instructions. Check frequently. Do not use if there are any loose or missing parts or signs of damage. Do not substitute parts. Contact the manufacturer for replacement parts.
- Use bassinet with only one child at a time.
- Toys are not to be “mouthed” by the baby and should be positioned clearly out of reach of the baby’s face and mouth.
- Do not place medication, small toys, small items, cords, straps or similar items that could become wound around the child’s neck in or near this product and do not place product near a window, patio door, heater, or power outlet.
- If a sheet is used with the pad, use only the one provided by Delta Children or one specifically designed to fit the dimension of the bassinet mattress.



Please DO NOT return this product to the store.

If you experience any difficulty with assembly, missing parts or use, please DO NOT return this item to the store. Retail stores are unable to properly assist you. Contact our Customer Service Department directly for assistance

(646) 435-8726

www.DeltaChildren.com • gcs@deltachildren.com
©2019 Delta Children's Products, Inc. New York, NY 10001



EXTENDED WARRANTY

DON'T MISS YOUR CHANCE TO BE COVERED FOR ALL OF LIFE'S MISHAPS!

With Delta's Extended Warranty, you're covered for mechanical failure from normal use or if your item stops working due to normal wear and tear, plus all those unexpected surprises.

2 YEARS OF PROTECTION

For Additional Information:

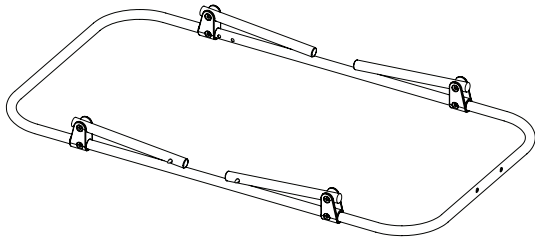
Simply visit our Website, register your product, and add the Extended Warranty

<https://www.deltachildren.com/pages/product-registration>

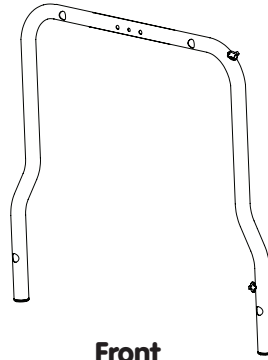
Extended Warranty only available in the following States: Arkansas, Colorado, Delaware, District of Columbia, Georgia, Idaho, Illinois, Indiana, Iowa, Kansas, Kentucky, Louisiana, Maryland, Michigan, Mississippi, Missouri, Nebraska, Nevada, New Hampshire, New York, North Carolina, North Dakota, Pennsylvania, Rhode Island, South Dakota, Tennessee, Utah, West Virginia

Parts

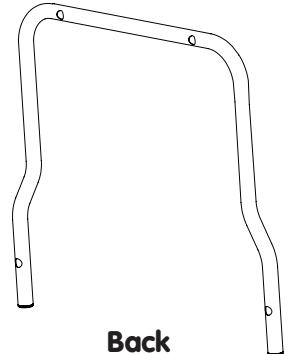
IMPORTANT! Please remove all parts from the package and identify them before assembly.



Frame

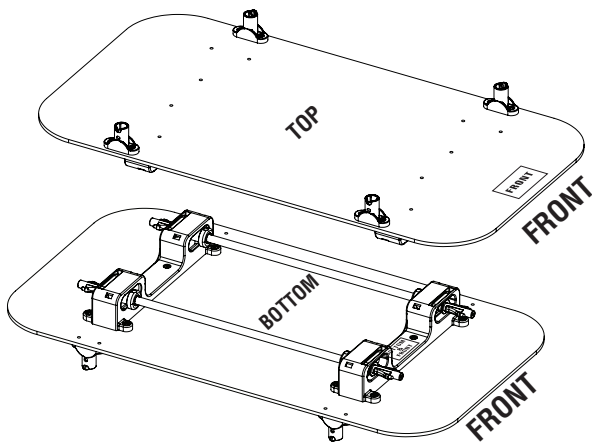


**Front
Base Leg with Wire
Connection (X1)**

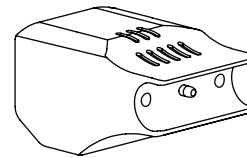


**Back
Base Leg (X1)**

(For power housing and
power cord attachment)

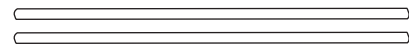


Mattress Support Board



Auto-Glide Housing (X1)

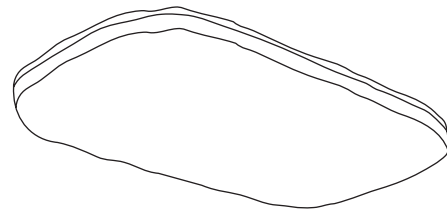
(Needs 2 - M6 - 3.5cm - screws to attach
to front base leg with wire connection)



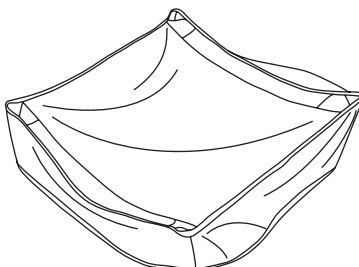
Support Tubes (X2)



Fabric Liner



Mattress Pad



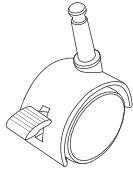
Fabric Storage Liner



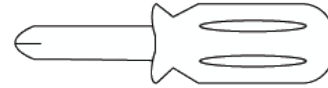
Sheet

Parts

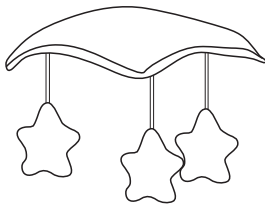
IMPORTANT! Please remove all parts from the package and identify them before assembly.



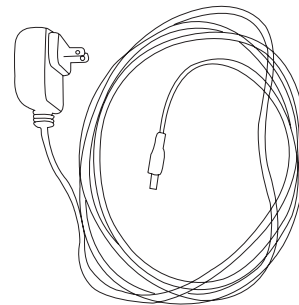
Locking Casters (X4)



Phillips Screwdriver
(NOT INCLUDED)



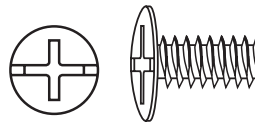
Mobile With Plush Stars



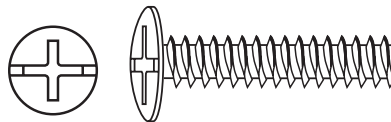
Power Cord

Hardware

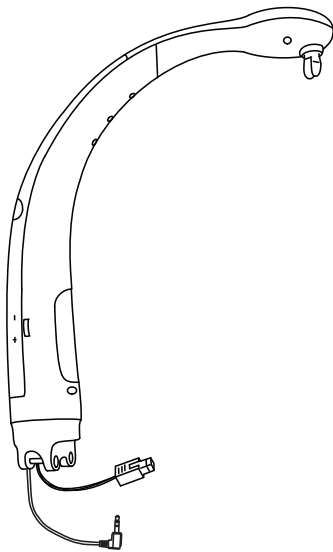
*Screws are shown in actual size - 10 total screws



M6 - 1.7cm x 8pcs



M6 - 3.5cm x 2pcs
(Used for power housing assembly)



Mobile Arm

Top Frame Assembly

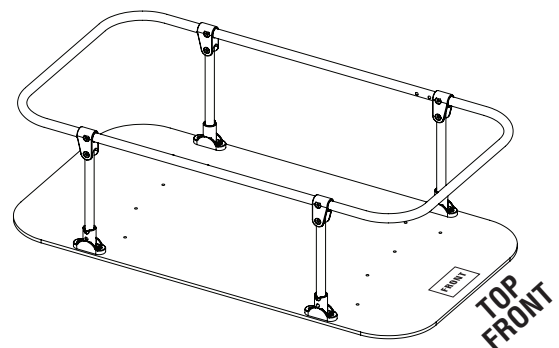
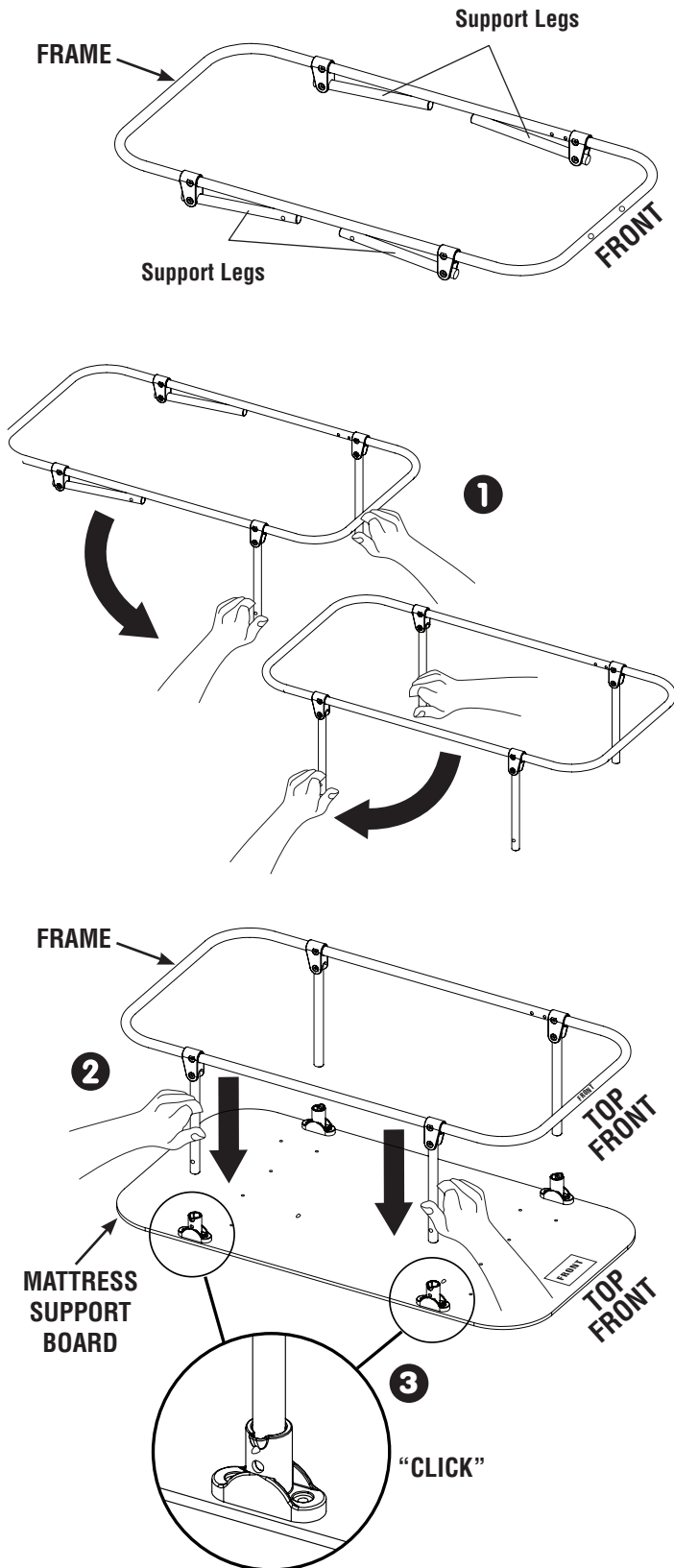
1

NOTE: You may need the help of another adult for assembly.

NOTE: Make sure front of frame is aligned with top front mattress support

- Place the frame on a flat surface and extend the support legs out. **1**
- Locate the mattress support board and align the front of frame to top of support board front. **2**
- Align and insert the (4) support legs into the (4) support board housings until they “click” in place. **3**

NOTE: Pull upward to make sure support legs are fully locked.

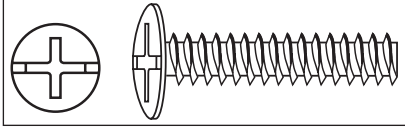


*Completed top frame assembly

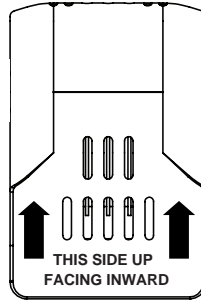
Attaching Power Housing to Front Base Leg

1

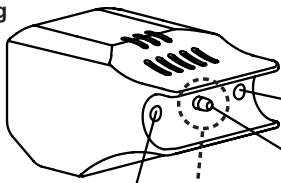
M6 Screw - 3.5cm - x2 - Actual Size



Auto-Glide Housing



Auto-Glide Housing

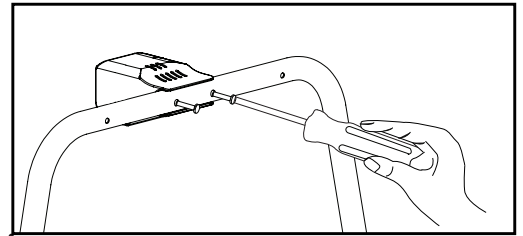


M6 Screw Thread

Auto-Glide Housing Nub

M6 Screw Thread

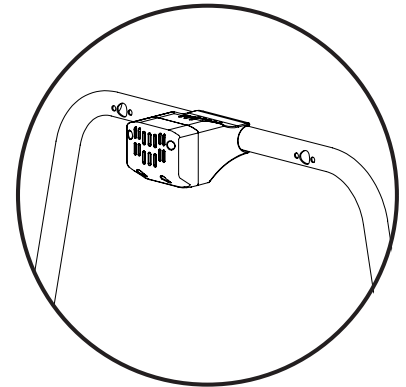
Attach (x2) M6 Screws



Front Base Leg

Auto-Glide Housing

Front Base Leg



FACING INSIDE



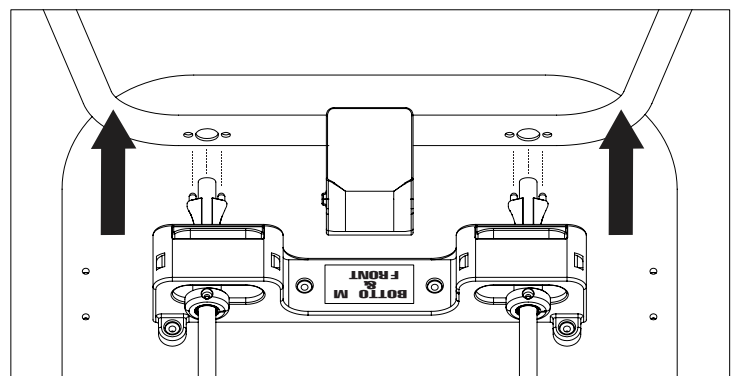
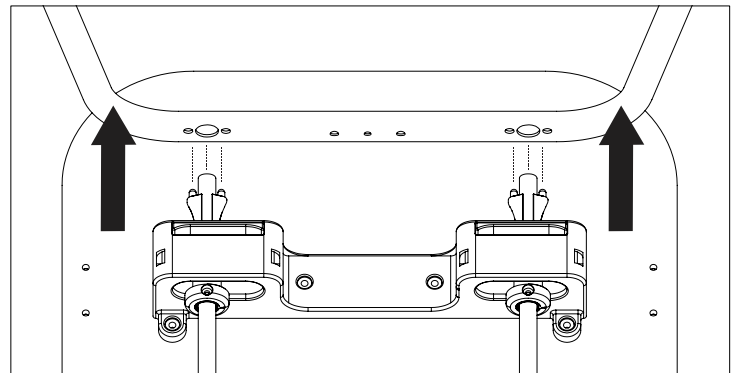
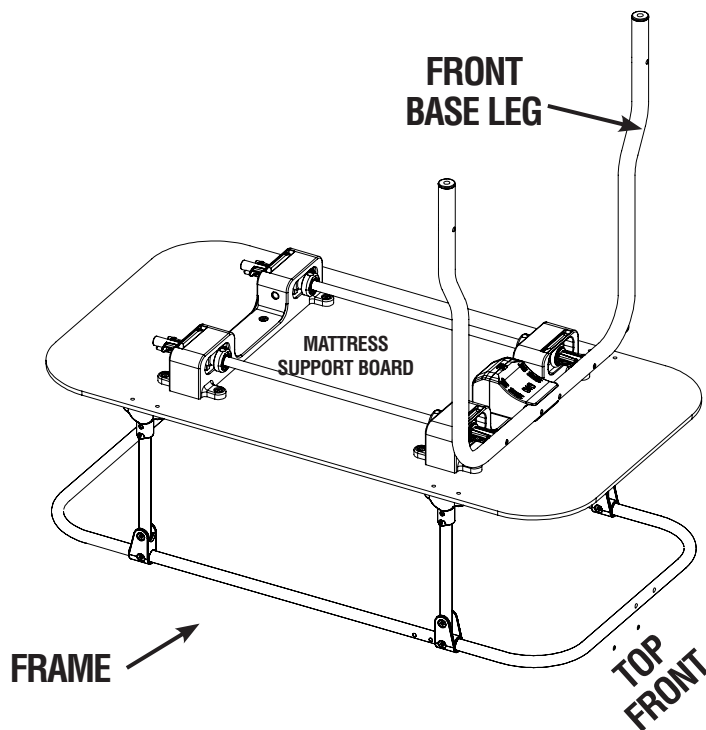
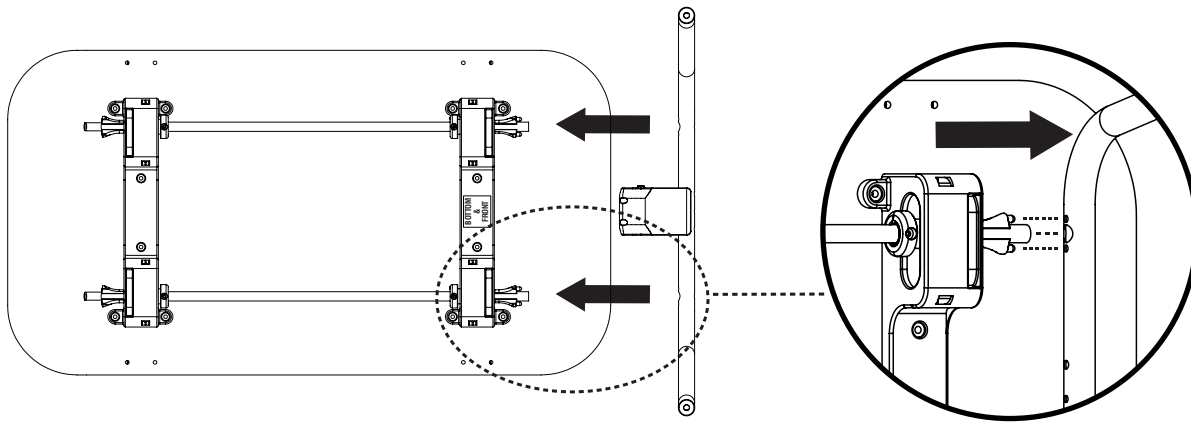
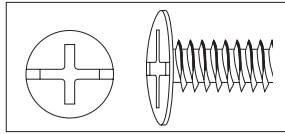
Auto-Glide Housing fully attached to front base leg

- Locate the auto-glide housing, front base leg with power connection, two (x2) M6 x 3.5cm screws and a Phillips screwdriver.
- Align the auto-glide housing nub post to the center hole inside the base leg.
- Next using a Phillips screwdriver, tighten two (x2) M6 screws on the opposite sides of the base leg.
- Pull outward on the auto-glide housing to make sure it is securely attached.

Front Base Leg and Frame Assembly

1

M6 Screw - 1.7cm - x2 - Actual Size



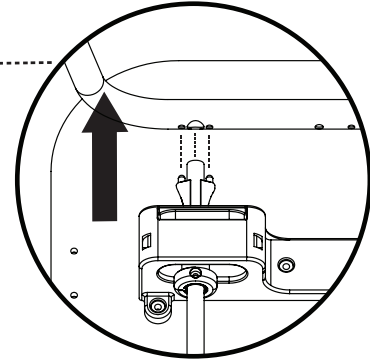
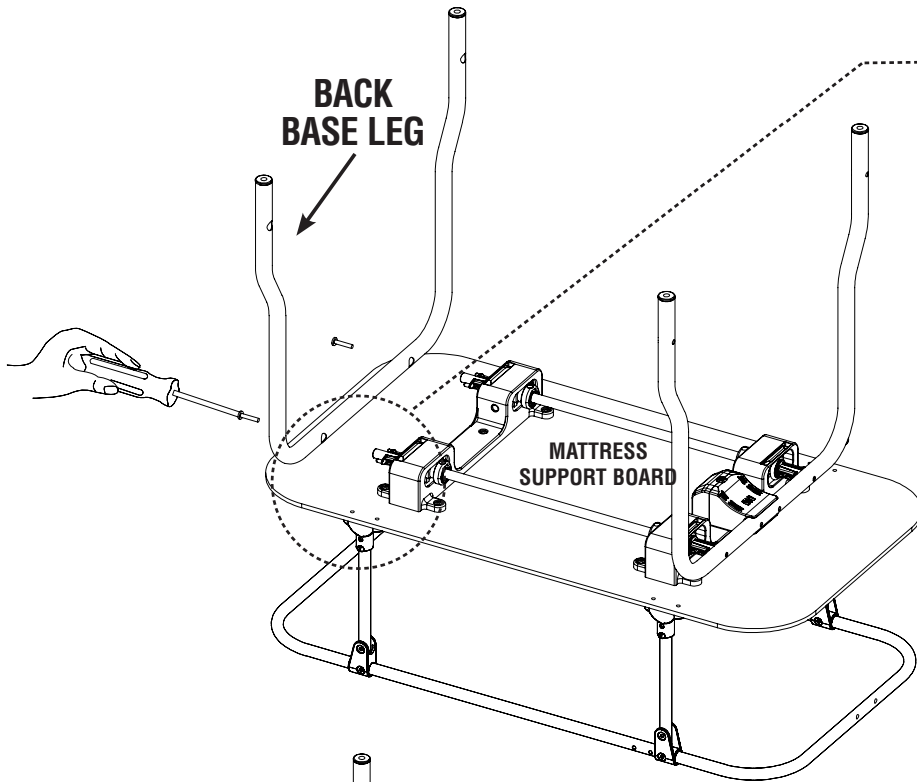
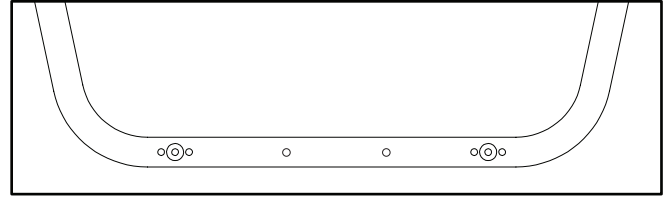
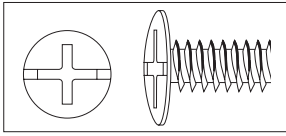
- Locate the two (x2) M6 screw, a Phillips screwdriver, and the front base leg.
- Insert the two (x2) M6 screw to the assembled front base leg and use the Phillips screwdriver to tighten on both sides.

NOTE: Align the front base leg so that the power housing is facing inside of the bassinet.

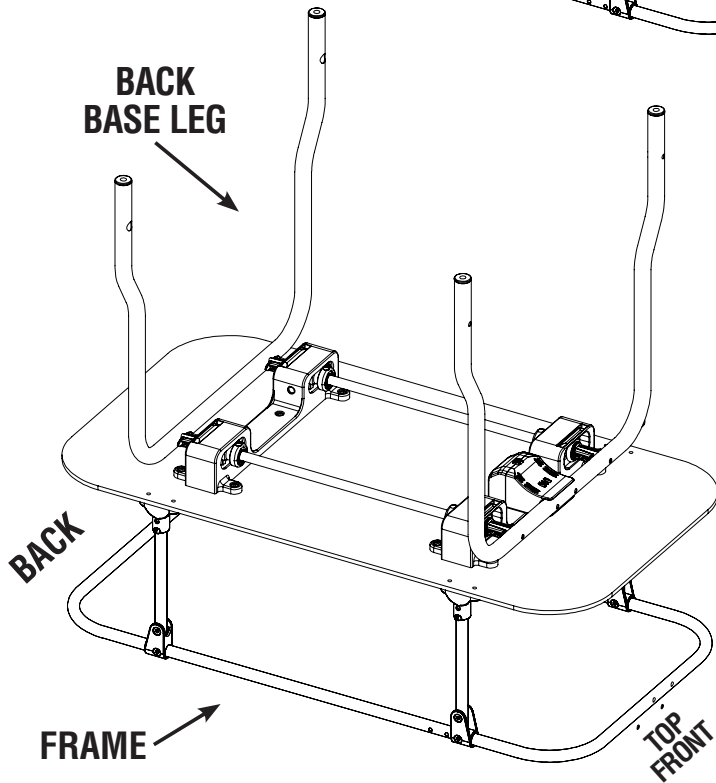
Back Base Leg and Frame Assembly

1

M6 Screw - 1.7cm - x2 - Actual Size



Align two side nubs to the three holes on frame



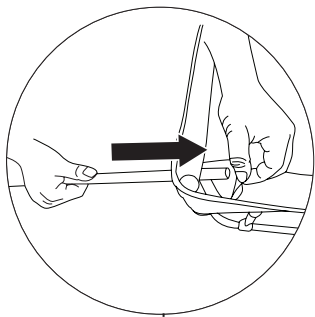
NOTE: You may need the help of another adult for assembly.

- Locate the two (x2) M6 screw, a Phillips screwdriver, and the back base leg.
- Insert the two (x2) M6 screw to the back base leg and use the Phillips screwdriver to tighten on both sides.

Storage Basket Assembly

1

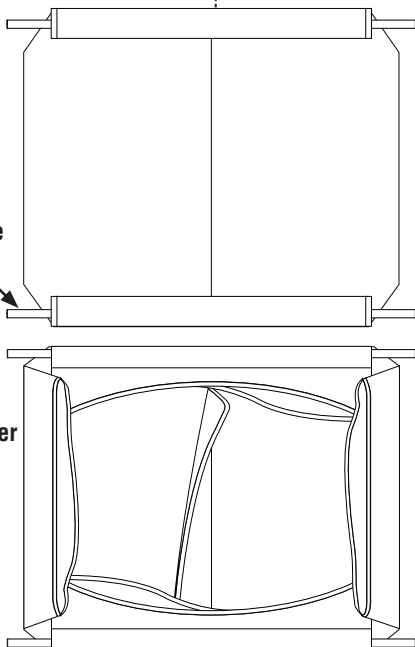
Slide Support Tube Into Fabric Storage Liner



Fabric Storage Liner

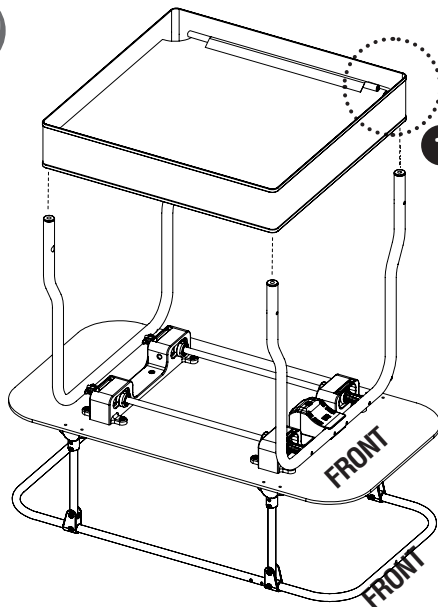
Support Tube

Fabric Storage Liner Facing Upward



- Locate the two (x2) support tubes, and the fabric storage liner.
- Slide the support tubes into fabric storage liner on both sides.
- Flip over the fabric storage liner with support tubes, facing upward.

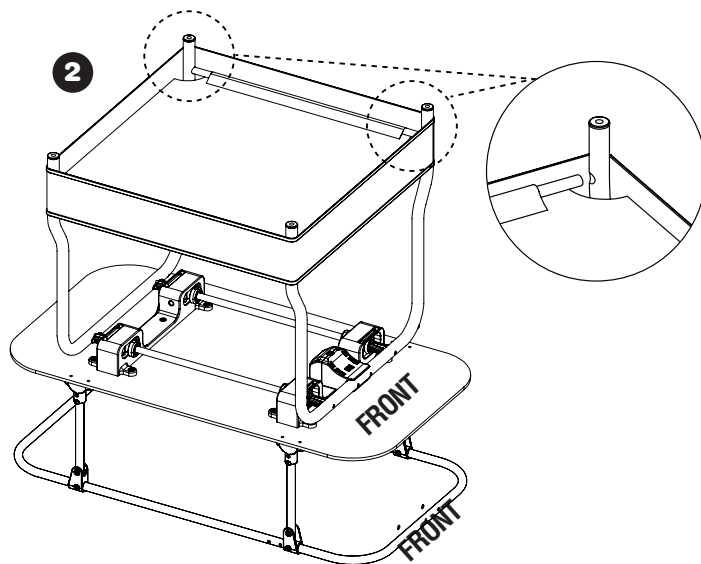
2



Fabric Storage Hole Corner

1

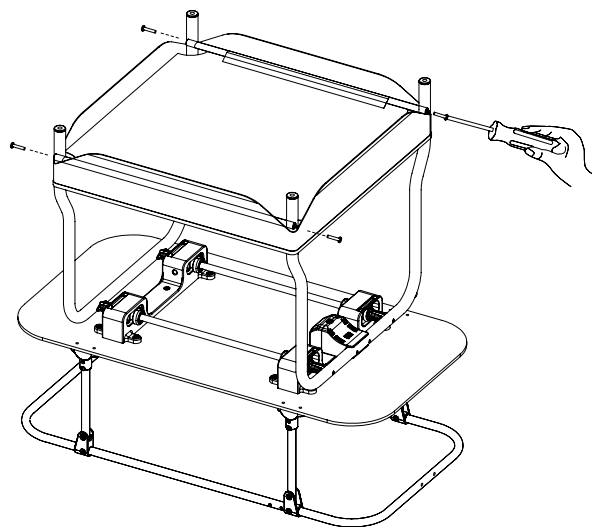
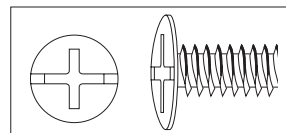
2



- 1 Slip the corners fabric liner 2 over bottom base legs (4x).

3

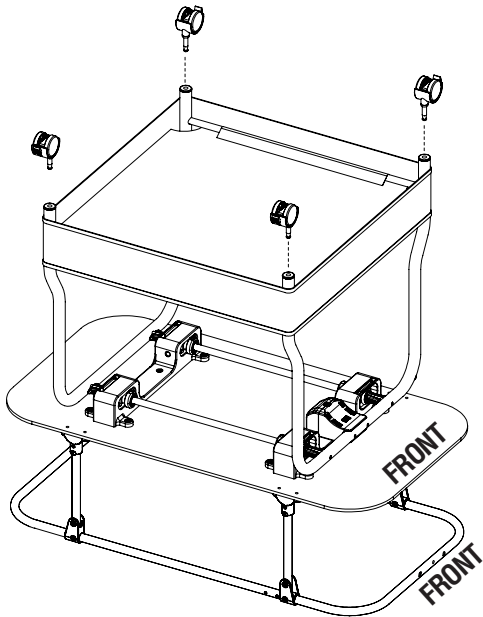
M6 Screw - 1.7cm - x2 - Actual Size



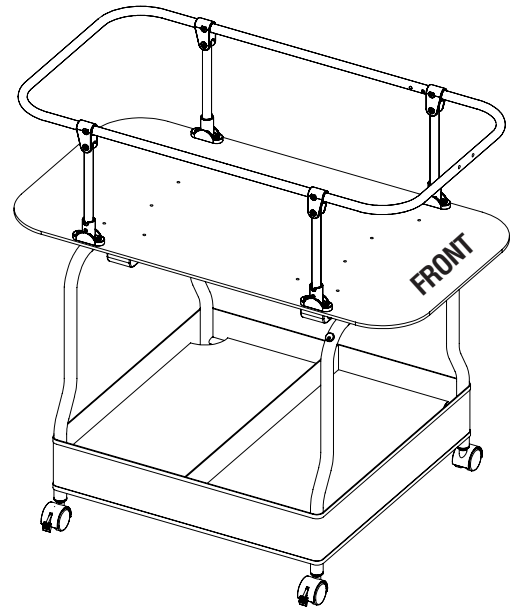
- Locate the four (x4) M6 x 1.7cm screws and a Phillips screwdriver
 - Insert the (x4) M6 screws on both sides of the legs and use a Phillips screwdriver to tighten both screws on both sides.
- NOTE:** Pull side support tube to make sure it's fully fastened.

Locking Casters Assembly

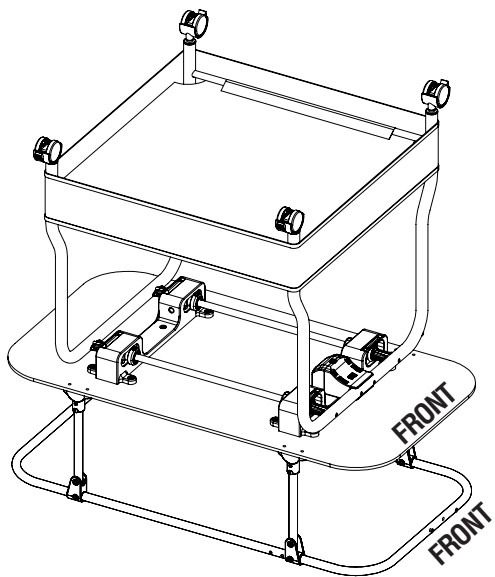
1



2



***Once casters are assembled, turn the assembly bassinet upright.**



- Locate the four (x4) locking casters and insert into (4) bottom leg joints.
- Insert the casters into the base legs. Push down until you hear the caster "CLICK" into place.
- Pull upward on the caster to assure it is properly attached to the bassinet.

Consumer Information



WARNING

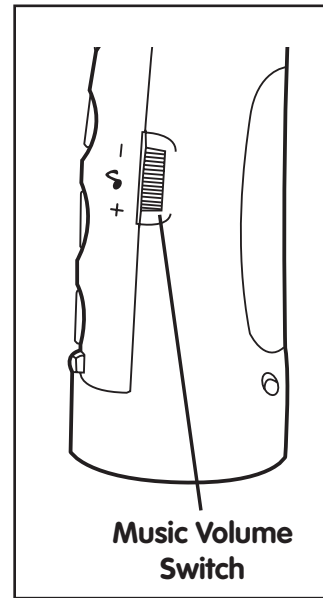
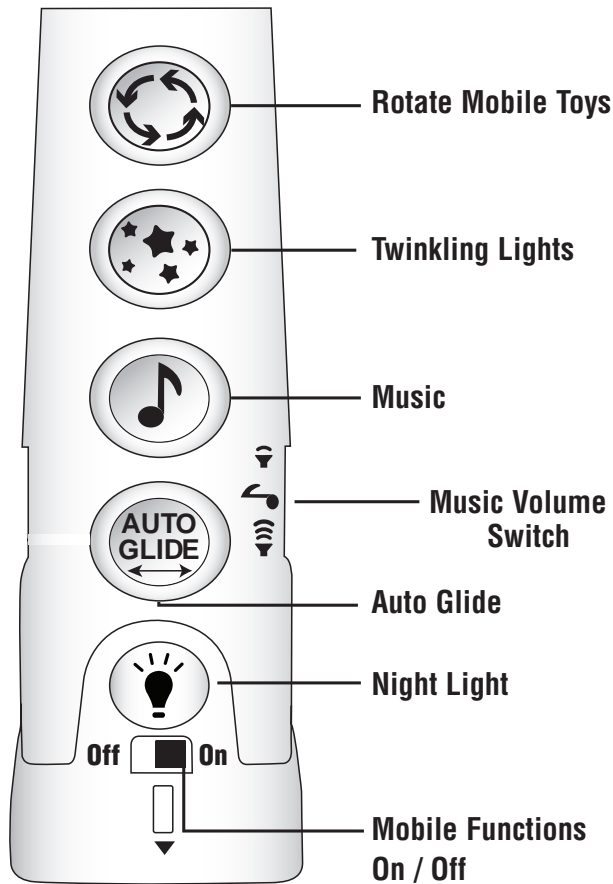
Read all instructions BEFORE assembly and USE of product. KEEP INSTRUCTIONS FOR FUTURE USE.

CAUTION - Changes or modifications not expressly approved by the party responsible for compliance could void the user's authority to operate the equipment.

NOTE: This equipment has been tested and found to comply with the limits for a class B digital device, pursuant to Part 15 of the FCC Rules. These limits are designed to provide reasonable protection against harmful interference in a residential installation. This equipment generates, uses and can radiate radio frequency energy and, if not installed and used in accordance with the instructions, may cause harmful interference to radio communications. However, there is no guarantee that interference will not occur in a particular installation. If this equipment does cause harmful interference to radio or television reception, which can be determined by tuning the equipment off and on, the user is encouraged to try to correct the interference by one or more of the following measures:

- Reorient or relocate the receiving antenna.
- Increase the separation between the equipment and receiver.
- Connect the equipment into an outlet on a circuit different from that to which the receiver is connected.
- Consult the dealer or experienced radio/TV technician for help.

Mobile Arm Unit Operation



Mobile Functions On/Off Switch

- Push the Mobile Functions On/Off button at the base of the mobile arm to turn on power. This is the main power switch to the mobile arm and also turns on the power LED on the Night Light button. The LED will stay on in the dark.

Rotate Mobile Toys Button

- Press to begin a 5 minute cycle of rotation.
- Press again to stop the mobile.
- Press to start a new 5-minute cycle. If this button is pressed while mobile is operating, the rotation cycle will restart.

Twinkling Lights Button

- Press to start a 5 minute light show.
- Press again to stop the light show.

Music Button

- Press to start cycle of music.
- Press again to stop the music.

Auto Glide Button

- Press to start 15 minute cycle of auto glide.
- Press again to stop auto glide.

Night Light

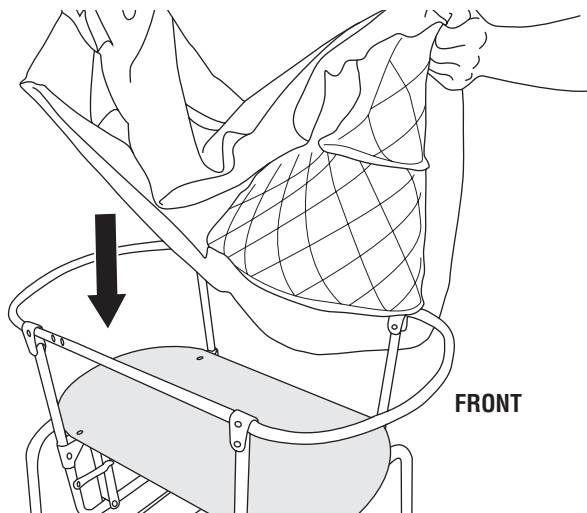
- Press to turn on mobile light for 5 minutes.
- Press again to turn light off.

Music Volume Switch

- Push toward + to increase volume.
- Push toward – to decrease volume.

Attaching Fabric

1

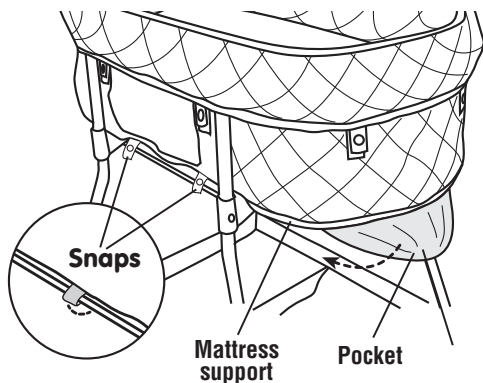


- Locate the fabric liner.

NOTE: Side of the frame has the mobile arm attachment holes and the front of the liner has the warning label.

- Align the mobile arm with mobile attachment opening on the warning label end.
- Place the liner onto the frame. Make sure warning is centered at the front of bassinet.

2



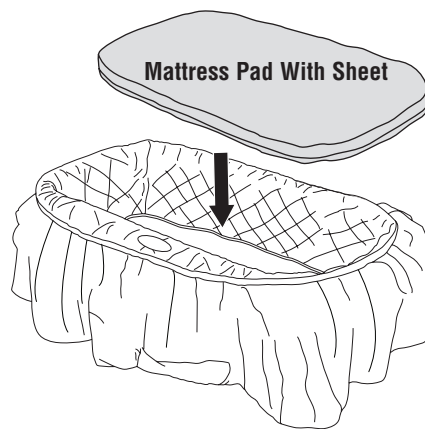
- Stretch the pockets on the bottom of the liner around the ends of the mattress support board.

3



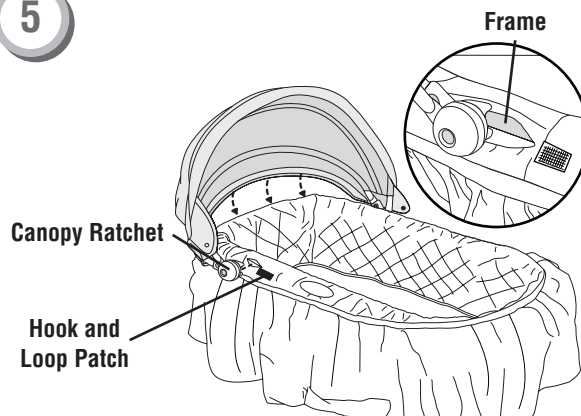
- Lift the skirt on the liner, snap all (8) of the straps around the top of the frame and all (4) snaps to the underside of the mattress support board .

4



- Place the sheet over the mattress pad.
- Place the covered mattress pad into the liner.

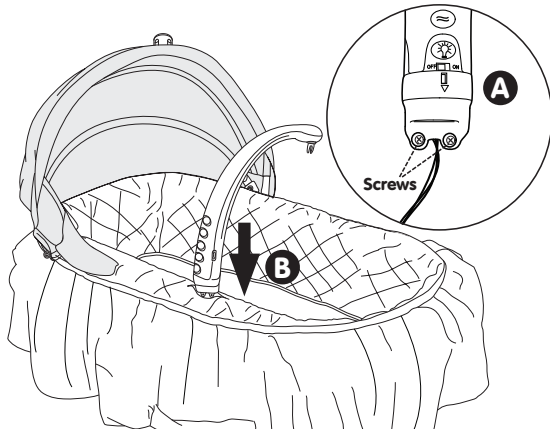
5



- Position the canopy over the top end of the bassinet opposite the warning label.
- Push aside foam to expose metal and push the canopy ratchet onto the frame on both sides of the bassinet.
- Fasten the hook and loop fasteners on the back edge of the canopy to the liner. Then fasten the hook and loop patches on each canopy flap to the side of the liner.

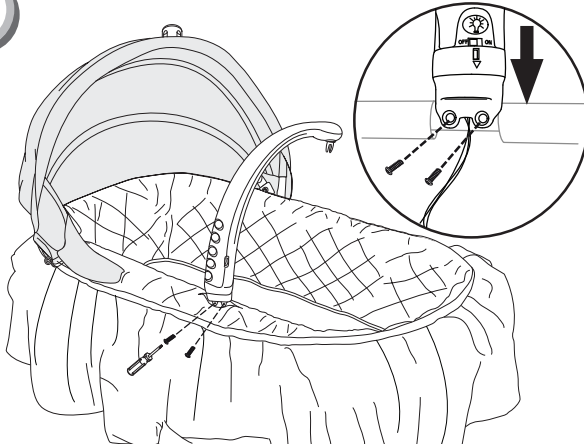
Mobile Assembly

1



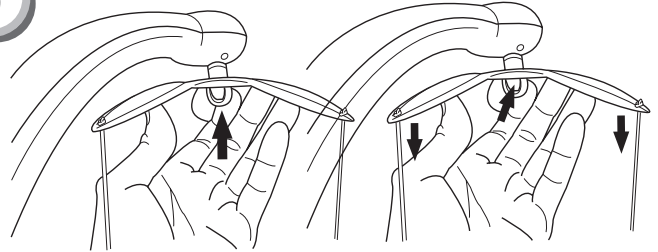
- **A** Remove two (x2) pre-installed screws from mobile arm.
- Locate the pre-drilled holes on the bassinet frame and **B** place the mobile arm over the holes on the bassinet side frame.

2



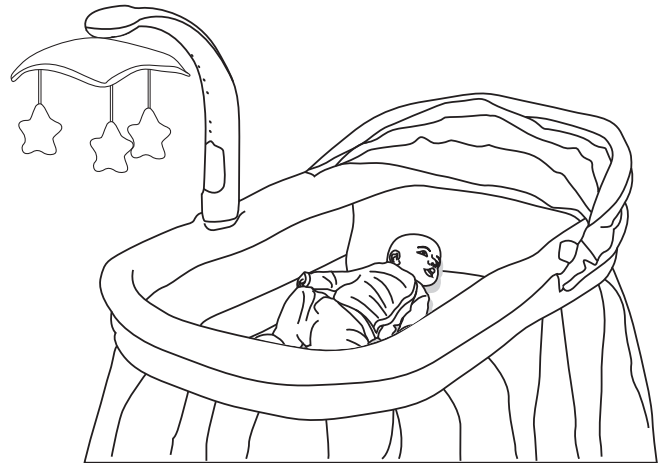
- Re-insert the screws into the mobile arm. Tighten with screwdriver.
- To Remove the Mobile Arm Assembly**
- Please reverse from step two to step one.

3



- Fit the mobile to the mobile arm. Push the mobile up firmly.
- HINT:** To disassemble the mobile for storage, press the tab on the mobile arm and pull the mobile down.

4



- NOTE:** when placing or lifting a child into or out of the bassinet make sure the canopy is fully rotated into the closed position and electronic mobile arm is fully rotated away from the baby.

Wire Connection Assembly

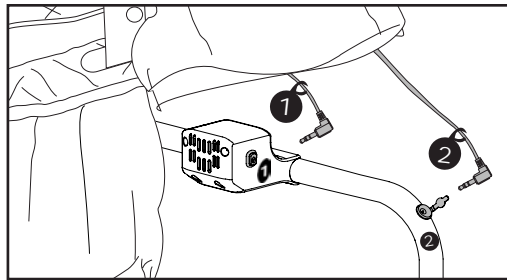
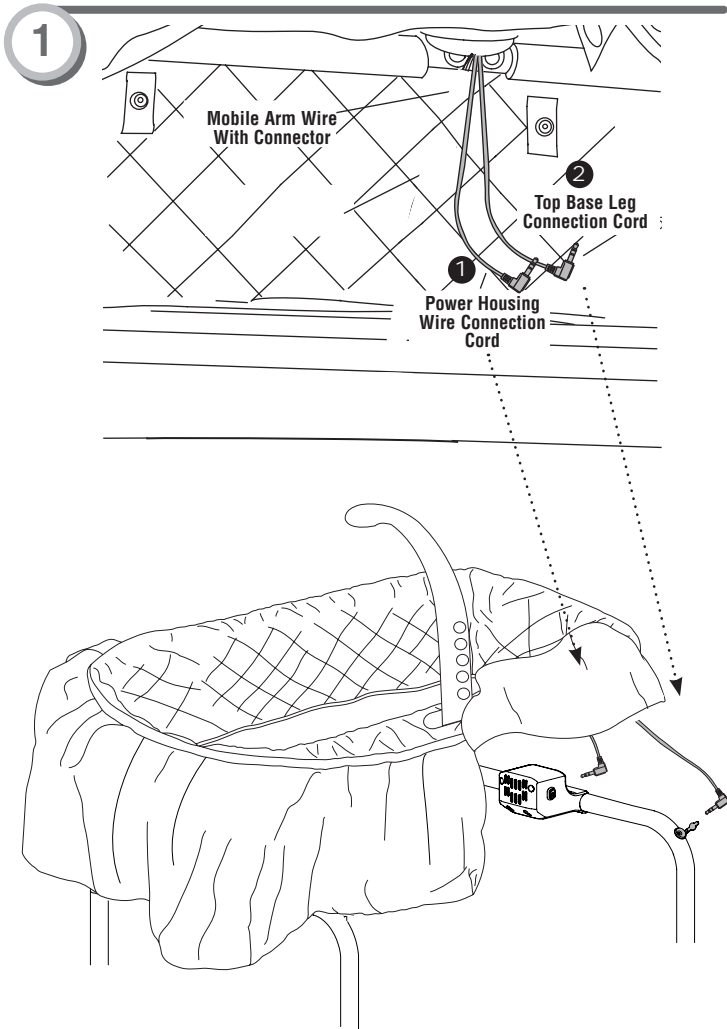


Fig. 1

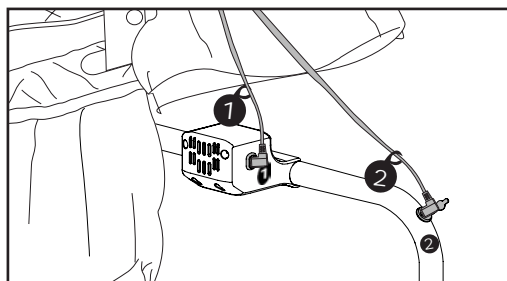


Fig. 2

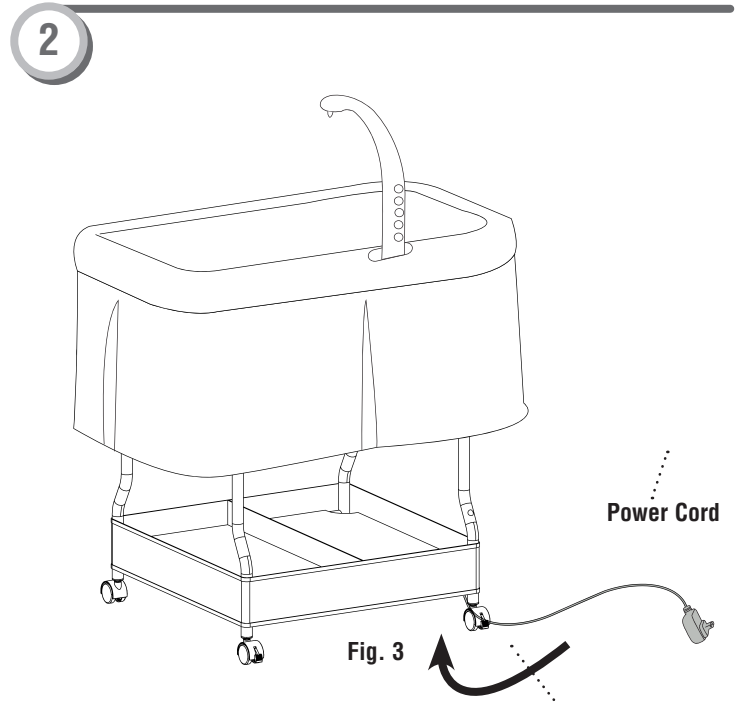
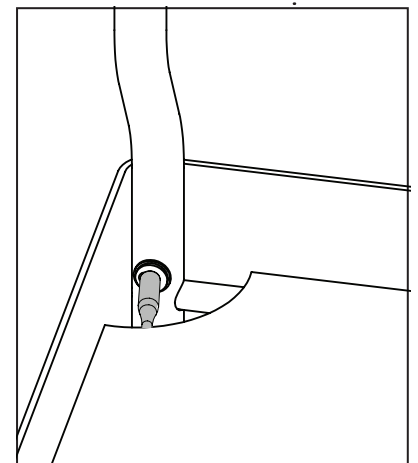


Fig. 3



Bottom Base Leg Connection
Located On The Inside Of Base Leg
Fig. 4

- Locate the Power Cord. Insert underneath the fabric storage liner opening and plug into the Bottom Base Leg Connection. (Fig. 3) until fully connected (Fig.4).

- Locate the Power Housing Wire Connection Cord ① and insert it into the Power Housing ①. (Fig. 1)
- Locate the Top Base Leg Connection Cord ② and insert it into the Top Base Leg ②. (Fig. 1)
- Make sure both wires are fully connected (Fig. 2).

Care and Maintenance

- **The frame, mattress pad, storage basket, music module may be wiped clean using a mild cleaning solution and a damp cloth. Do not use bleach. Do not use harsh or abrasive cleaners. Rinse clean with water to remove residue. Do not immerse the frame.**
- **The sheet is machine washable. Wash it separately in cold water on the gentle cycle. Do not use bleach. Tumble dry separately on low heat and remove promptly.**
- **Always store product in a clean and dry place.**
- **Before each usage or assembly, inspect unit for damaged hardware, loose joints, missing parts or sharp edges. NEVER use this product if there are any loose or missing fasteners, loose joints, broken parts, or torn mesh/fabric. Check before assembly and periodically during use. Contact Simmons Customer Service Department at 1-646-435-8726 for replacement parts, repair or instructions.**



Delta Childrens Products Corp.
114 West 26th Street
New York, NY 10001
1-646-435-8726
www.DeltaChildren.com