

SILENT AUTO GLIDING DELUXE BASSINET



701305-2282

Styles and colors may vary

ASSEMBLY INSTRUCTIONS

▲ WARNING: **CHOKING HAZARD**

Adult assembly required because of small parts. Keep assembly parts out of reach of children under 3 years.



REQUIRED: 3 "C" Alkaline Batteries for battery compartment (not included), Phillips Screwdriver (not included)

IMPORTANT: Read all instructions before assembly and use of the product. Keep the instructions for future reference.



Consumer Information



WARNING

WARNING: Do not use this bassinet if you cannot exactly follow the accompanying instructions. Failure to follow these warnings and instructions could result in serious injury or death.

- **Read all instructions before assembling unit.**

KEEP INSTRUCTIONS FOR FUTURE USE.

DO NOT USE THIS UNIT IF THE INSTRUCTIONS CANNOT BE STRICTLY FOLLOWED.

- Before each usage or assembly, inspect unit for damaged hardware, loose joints, missing parts or sharp edges. NEVER use this product if there are any loose or missing fasteners, loose joints, broken parts, or torn mesh/fabric. Check before assembly and periodically during use. Contact Simmons Customer Service Department at 1-646-435-8726 for replacement parts, repair or instructions.

SUFFOCATION HAZARD

Infants have suffocated:

- In gaps between an extra padding, a mattress (too small or too thick) and product sides.
- On soft bedding.
- Use only the pad provided by the manufacturer that is no thicker than 25 mm (1 In) and is of such a size that, when pushed against any side of the product, it does not leave a gap of more than 25 mm (1 in) between the mattress and sides.
- **NEVER** add a pillow, comforter or another mattress for padding.
- Do not leave child unattended in the bassinet when it is in the “rocking/gliding” mode. Always make sure the wheels or stands are in the locked “down” position. Remove any tools or excess parts including plastic packaging from bassinet vicinity after assembly.

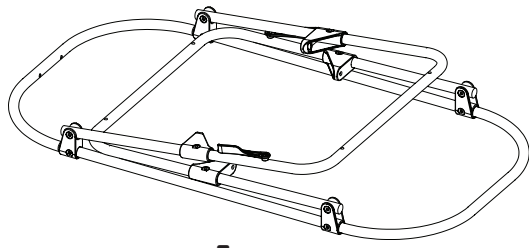
FALL HAZARD: To help prevent falls, DO NOT use this product when the infant begins to push up on hands and knees or has reached manufacturer’s recommended maximum weight of 6.8kg (15lbs), whichever comes first.

STRANGULATION HAZARD: Children have STRANGLED in cords. Keep the cord out of reach of children.

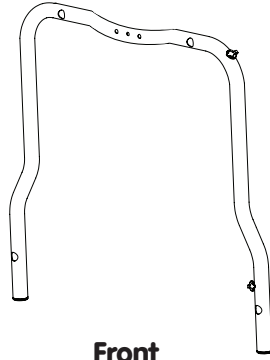
- Strings can cause strangulation! DO NOT place items with a string around a child’s neck, such as hood strings or pacifier cords. DO NOT suspend strings over a product or attach strings to toys.
- To reduce the risk of SIDS, pediatricians recommend healthy infants be placed on their backs to sleep, unless otherwise advised by your physician.
- Always attach all provided fasteners tightly according to the instructions. Check frequently. Do not use if there are any loose or missing parts or signs of damage. Do not substitute parts. Contact the manufacturer for replacement parts.
- Possible entanglement injury. Keep out of baby’s reach. Remove mobile from crib or playpen when baby begins to push up on hands and knees.
- Use bassinet with only one child at a time.
- Toys are not to be “mouthed” by the baby and should be positioned clearly out of reach of the baby’s face and mouth.
- Do not place medication, small toys, small items, cords, straps or similar items that could become wound around the child’s neck in or near this product and do not place product near a window, patio door, heater, or power outlet.
- If a sheet is used with the pad use only the one provided by Delta Children or one specifically the dimension of the bassinet mattress.

Parts

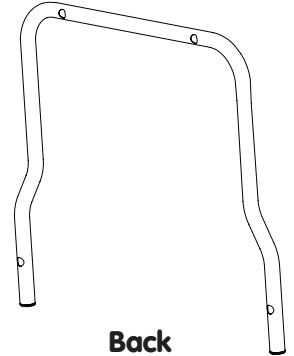
IMPORTANT! Please remove all parts from the package and identify them before assembly.



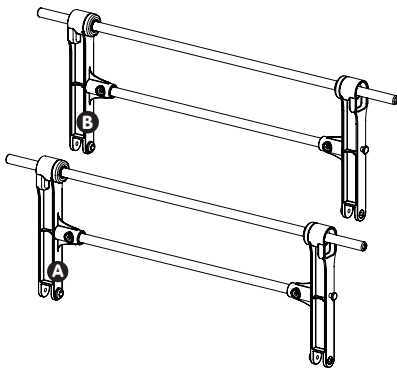
Frame



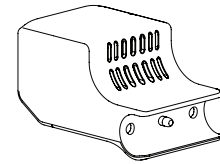
**Front
Base Leg with Wire
Connection (X1)**
(For power housing and
power cord attachment)



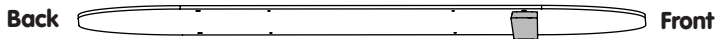
**Back
Base Leg (X1)**



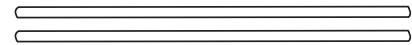
Swing Arms - (X2)



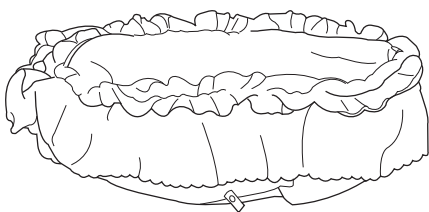
Power Housing (X1)
(Needs 2 - M6 - 3.5cm -
screws to attach to front base
leg with wire connection)



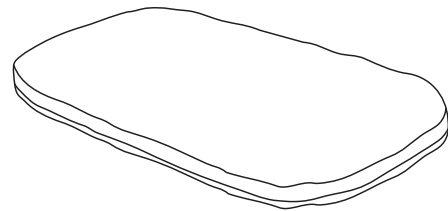
Mattress Support Board



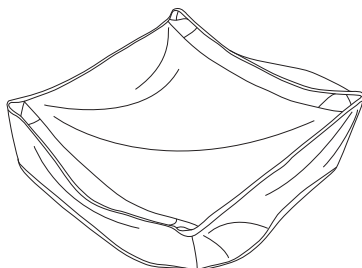
Support Tubes (X2)



Fabric Liner



Mattress Pad



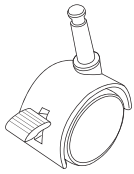
Fabric Storage Liner



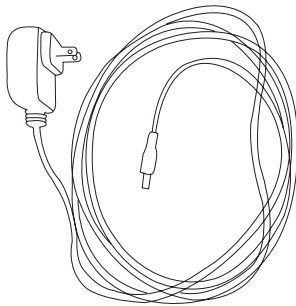
Sheet

Parts

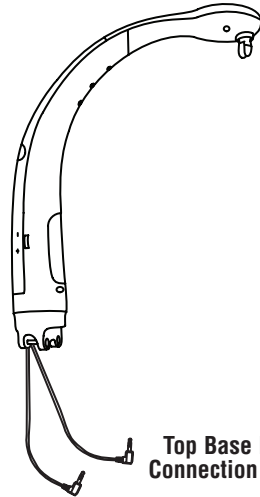
IMPORTANT! Please remove all parts from the package and identify them before assembly.



Locking Casters (X4)



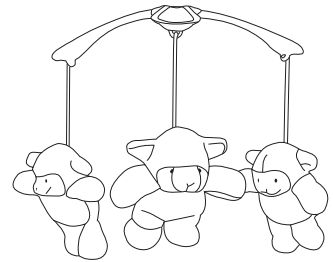
Power cord



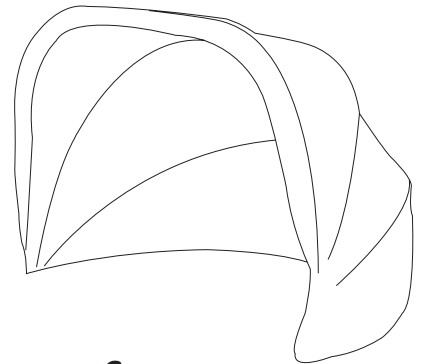
**Power Housing
Connection Cord**

Mobile arm

**Top Base Leg
Connection Cord**

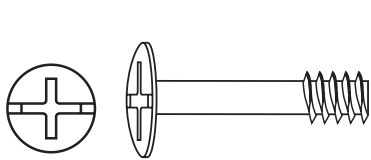


Toys



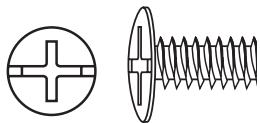
Canopy

***Screws are shown in actual size - 18 total screws**

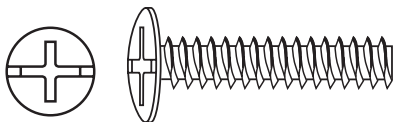


M5 CAP - x 4pcs

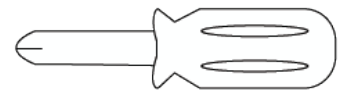
**M5 - 3.2cm x 4pcs
(Used for swing arm assembly)**



M6 - 1.7cm x 12pcs



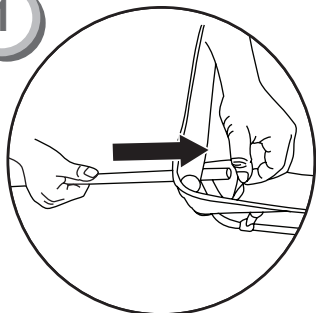
**M6 - 3.5cm x 2pcs
(Used for power housing assembly)**



**Phillips Screwdriver
(NOT INCLUDED)**

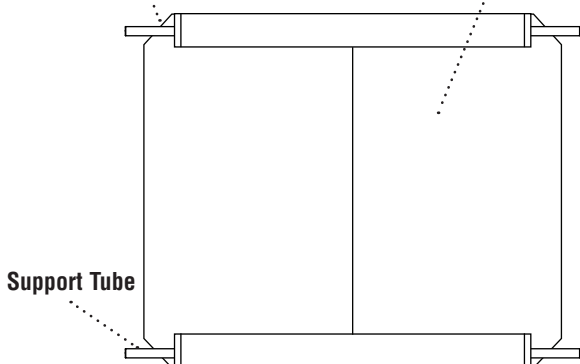
Bottom Base Assembly

1



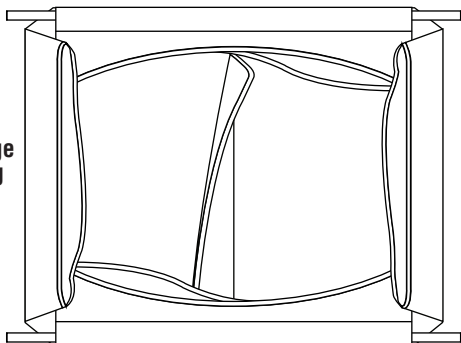
Slide Support Tube Into Fabric Storage Liner

Fabric Storage Liner



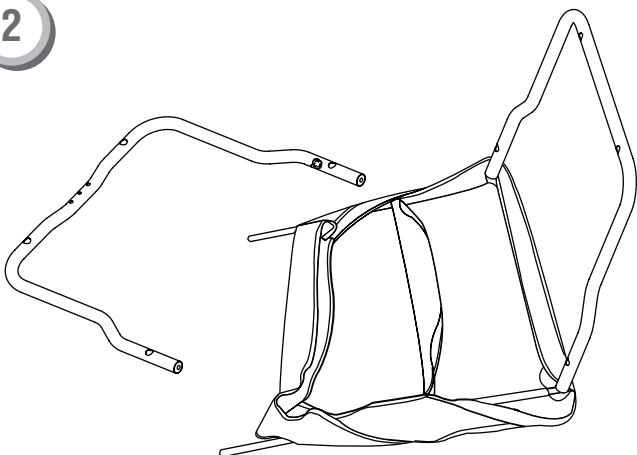
Support Tube

Fabric Storage Liner Facing Upward



- Locate the two (x2) support tubes, and the fabric storage liner.
- Slide the support tubes into fabric storage liner on both sides.
- Flip over the fabric storage liner with support tubes, facing upward.

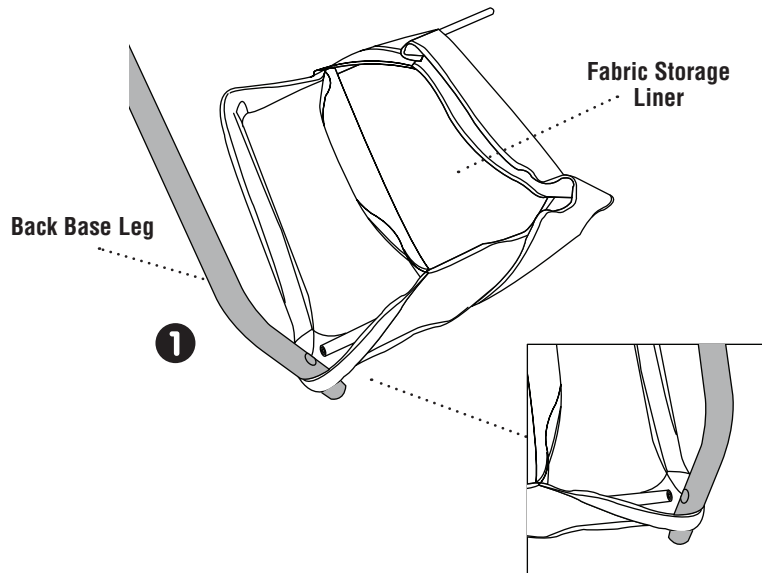
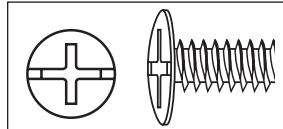
2



- Insert the back base leg into fabric storage liner.

3

M6 Screw - 1.7cm - x2 - Actual Size

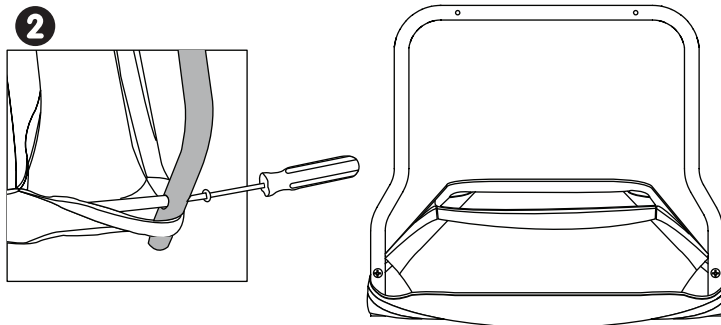


Fabric Storage Liner

Back Base Leg

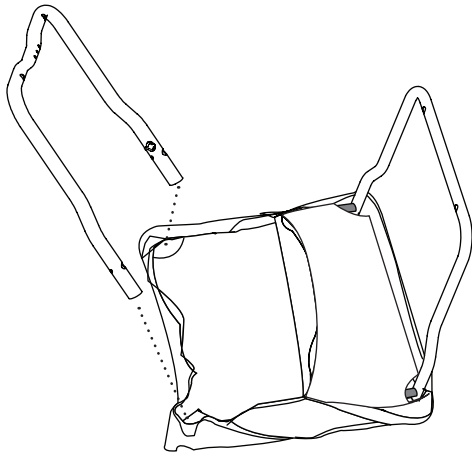
1

2



- Locate the two (x2) M6 x 1.7cm screws, the back base leg, and a Phillips screwdriver.
- 1 Align the bottom holes of the back base leg with the support tubes.
- 2 Insert the (x2) M6 screws on both sides of the back base leg and use a Phillips screwdriver to tighten both screws on both sides.

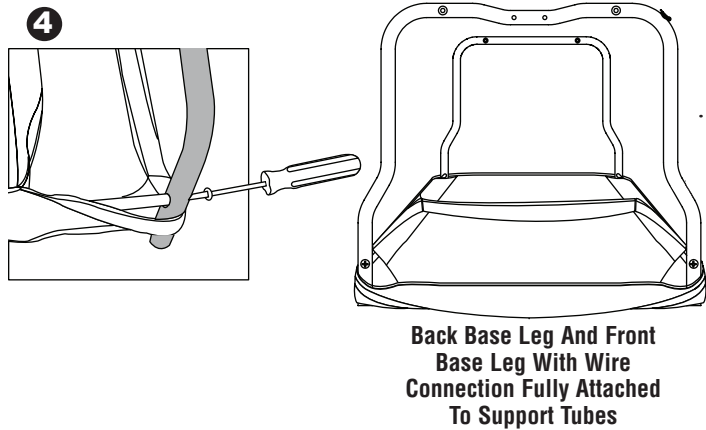
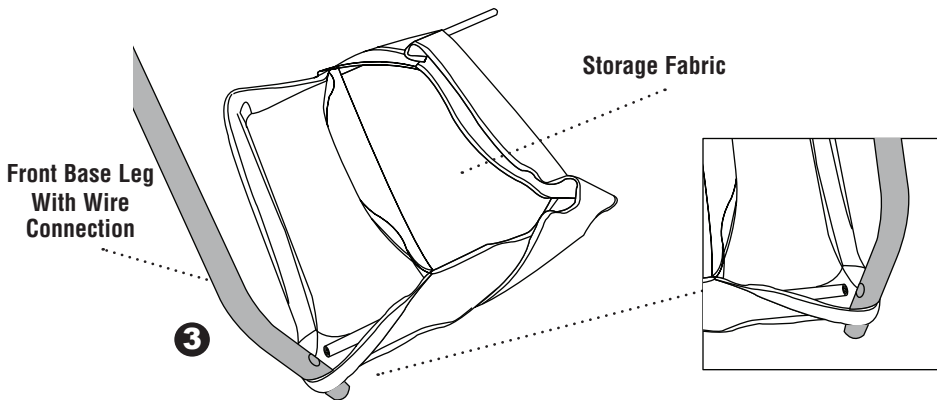
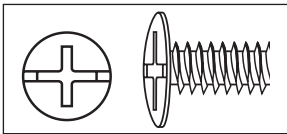
4



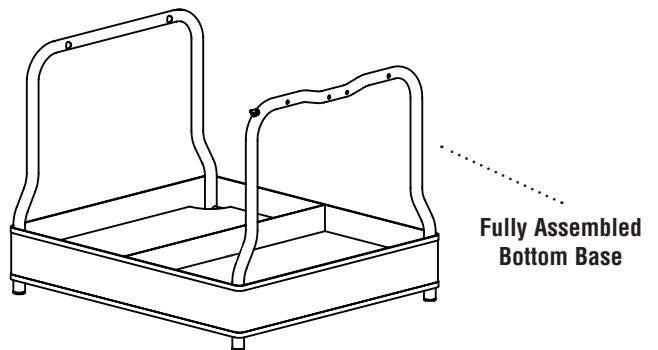
- Insert front base leg with wire connection into fabric storage liner.

5

M6 Screw - 1.7cm - x2 - Actual Size

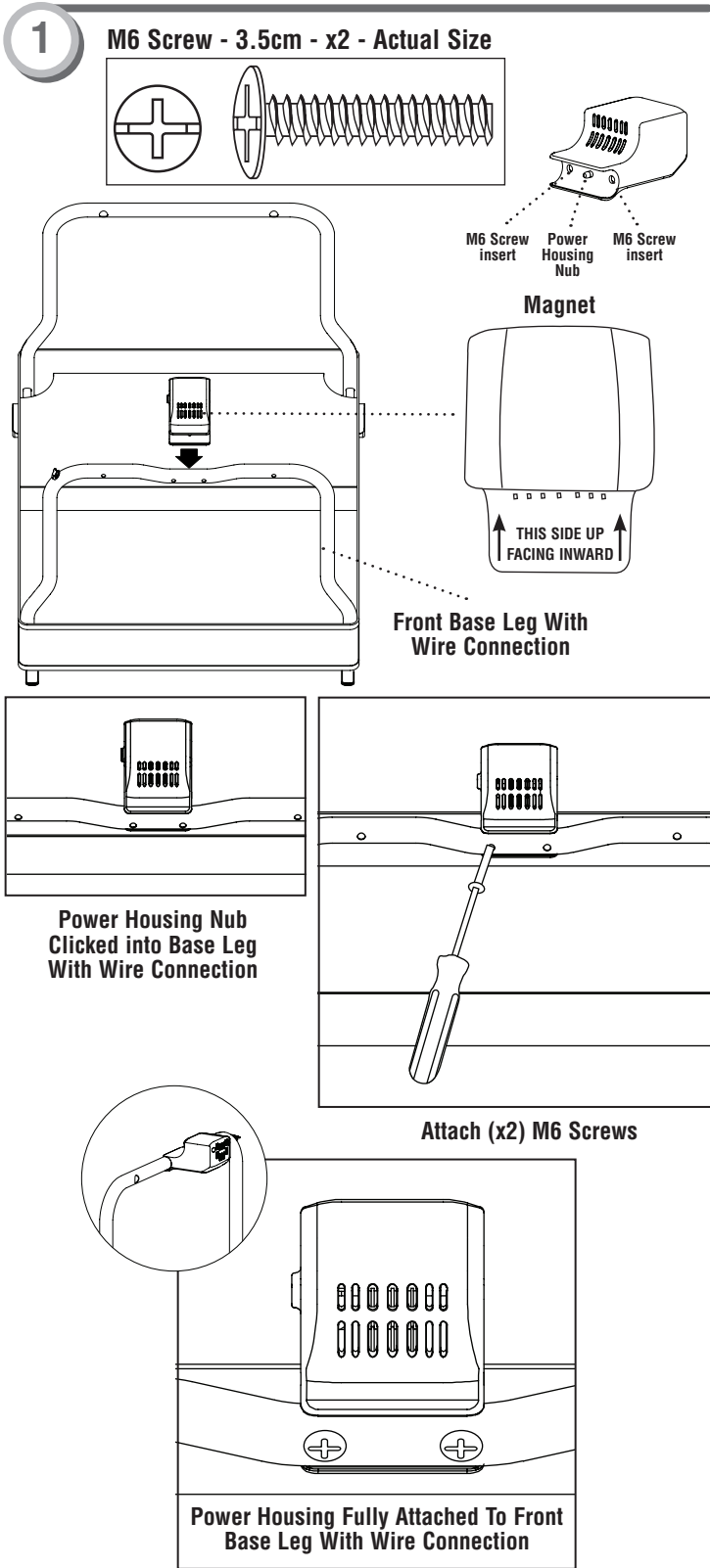


Base Legs Fully Attached To Support Tubes



- Locate the two (x2) M6 x 1.7cm screws, the front base leg with wire connection, and a Phillips screwdriver.
- 3 Align the other bottom holes on the front base leg with wire connection (curved top) with the other support tube.
- 4 Insert the other (x2) M6 screws on both sides of the base leg and use a Phillips screwdriver to tighten both screws on both sides.

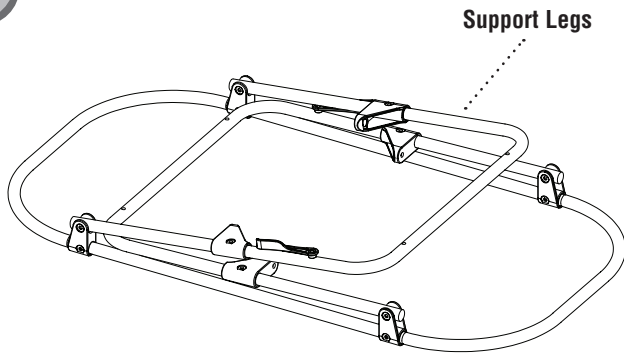
Attaching Power Housing to Front Base Leg



- Locate the power housing, front base leg with wire connection, two (x2) M6 x 3.5cm screws and a Phillips screwdriver.
- Align the power housing nub to the center hole on the base leg and attach the two together until it clicks into a fully locked position. Use a Phillips screwdriver to tighten (x2) M6 screws on the opposite sides of the magnet nub.
- Pull outward on the power housing to make sure it is securely attached.

Top Frame Assembly

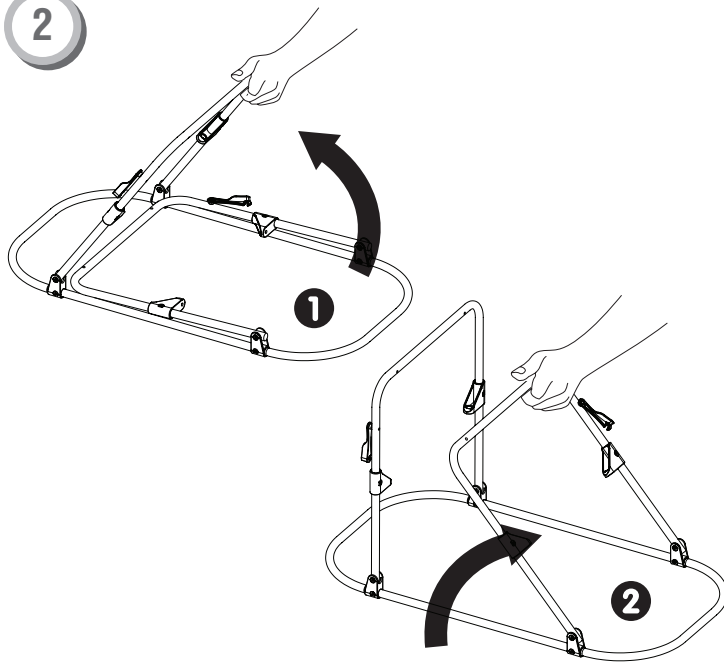
1



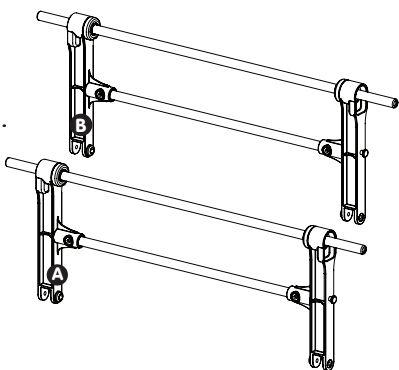
NOTE: You may need the help of another adult to help steady all parts for assembly.

- Place the frame on a flat surface with the support legs facing up.

2



Swing Arms



- Rotate the support legs out as shown in the above images.
- Locate the two swing arms.

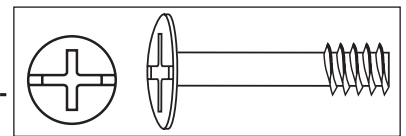
3



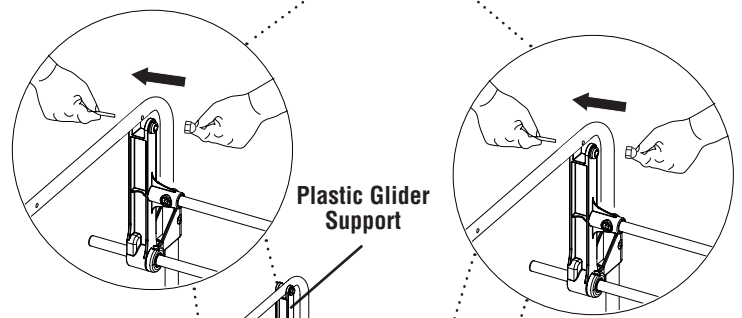
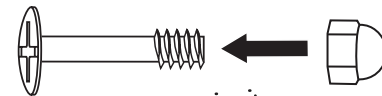
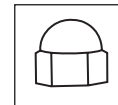
- Align the swing arm **A** with the support leg **A**.
- Align the second swing arm **B** with the opposite support leg **B**.

4

M5 Screw - 3.2cm - x4 - Actual Size



M5 CAP - x4 -



Support Leg

Swing Arm

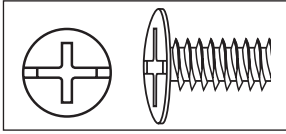
Swing Arm

- Locate the four (x4) M5 x 3.2cm screws, (x4) M5 CAPS and a Phillips screwdriver.
- Align the bottom holes of the plastic glider support with the support leg holes and insert the x2 M5 screws attaching the x2 M5 CAPS on the opposite side, use Phillips screwdriver to tighten the two screws and M5 CAPS.
- Repeat for other swing arm on opposite side.

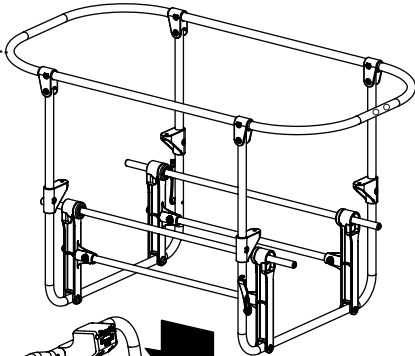
Top Frame and Bottom Base Frame Attachment

1

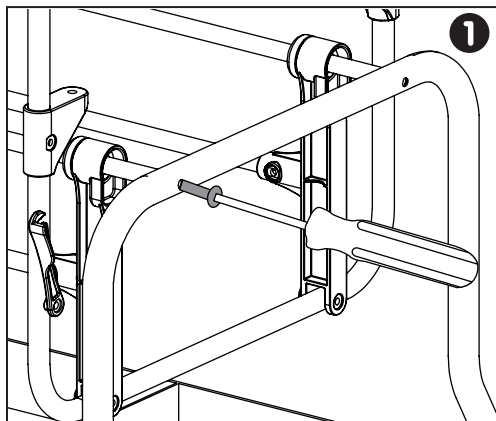
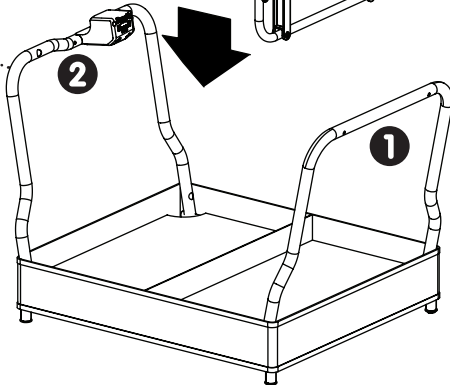
M6 Screw - 1.7cm - x4 - Actual Size



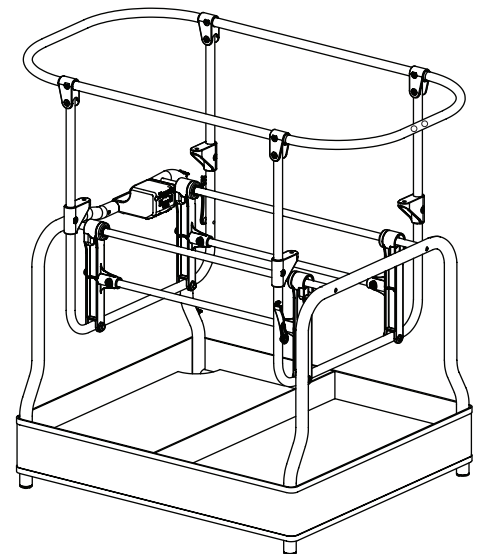
Top Frame



Bottom Base Frame



Attach (x2) M6 Screws On Both Sides Connecting The Top Frame and Bottom Base Frame

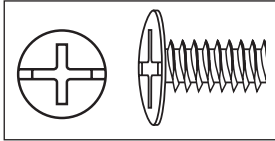


Top Frame and Bottom Base Frame Fully Attached

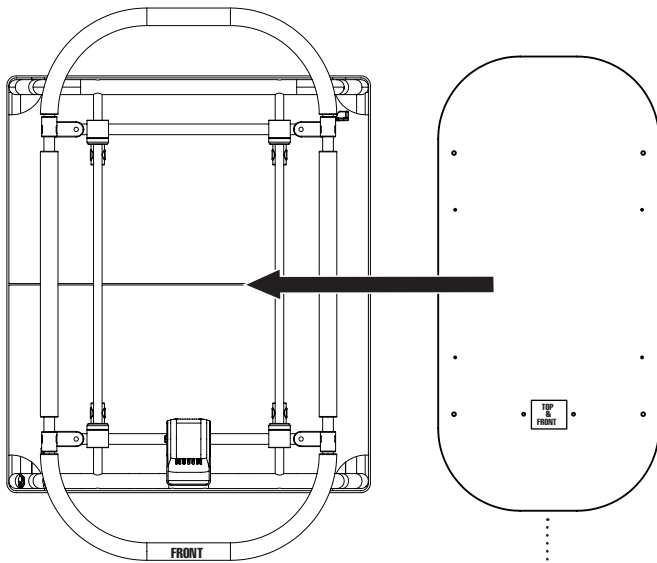
- Locate the four (x4) M6 x 1.7cm screws, top frame, base frame, and a Phillips screwdriver.
- **1** Align the top holes of the base leg with the tube of the top frame.
- Insert the (x2) M6 screws into each hole and use a Phillips screwdriver to tighten the two screws into both holes.
- **2** Align the top holes on the base leg with power housing and the opposite side of the top frame.
- Insert the other (x2) M6 screws and use a Phillips screwdriver to tighten the two screws into both holes.

Mattress Support Board Assembly

1 M6 Screw - 1.7cm - x4 - Actual Size



BACK

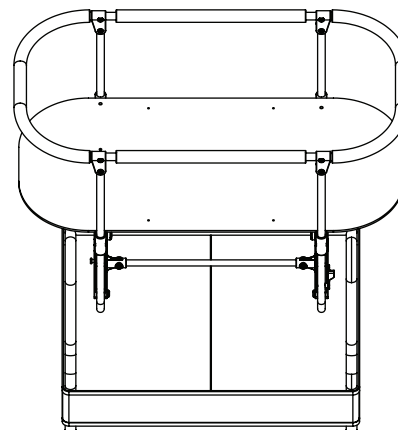
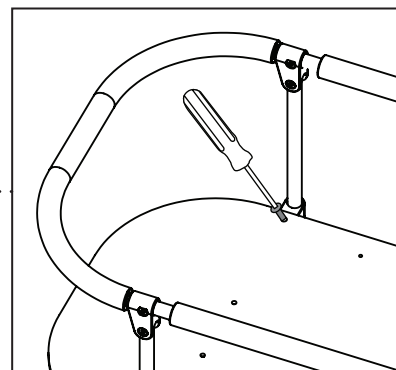
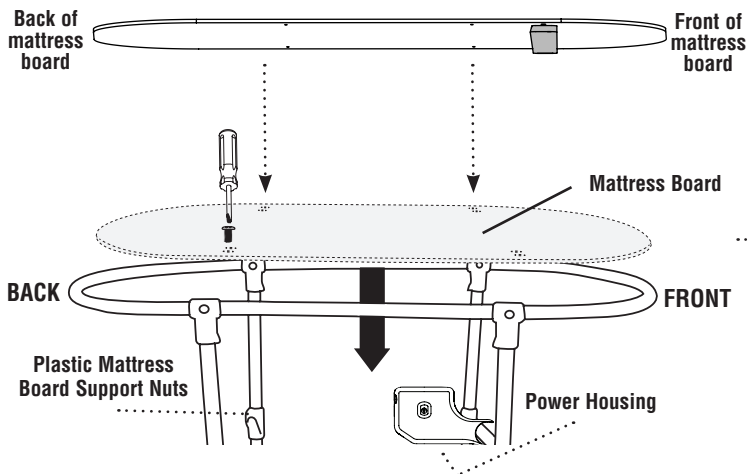


FRONT

Top View Of Bassinet Frame

Mattress Support Board

CORRECT PLACEMENT OF MATTRESS SUPPORT BOARD

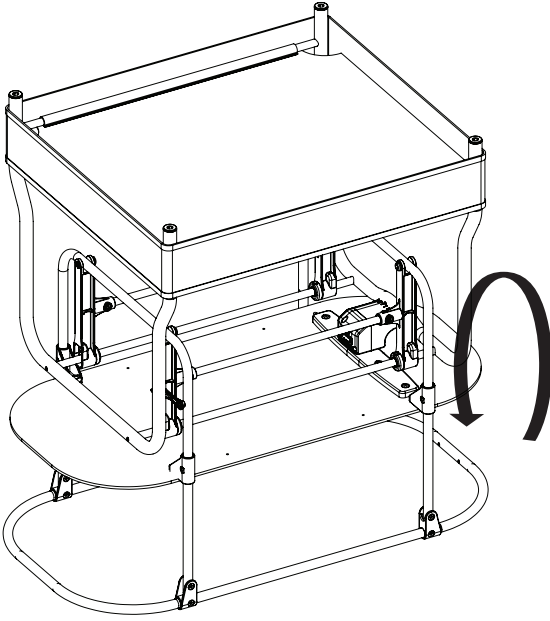


Mattress Support Board Fully Attached To Bassinet Frame

- Locate the mattress board, four (x4) M6 X 1.7cm screws, and a Phillips screwdriver.
- Place the mattress board with the front and back labels facing the correct way - into the frame lining up the four holes with the plastic mattress board support nuts.
- Using a Phillips screwdriver and four (x4) M6 x 1.7cm screws, tighten the mattress board onto the plastic mattress board supports nuts.

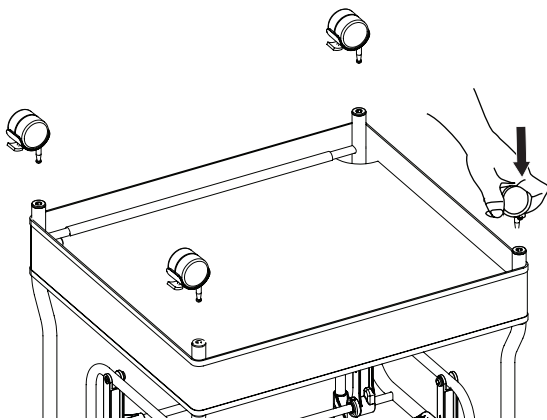
Locking Casters Assembly

1



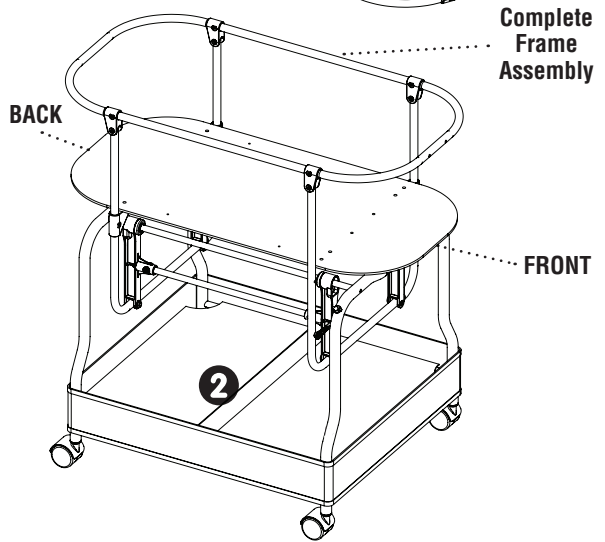
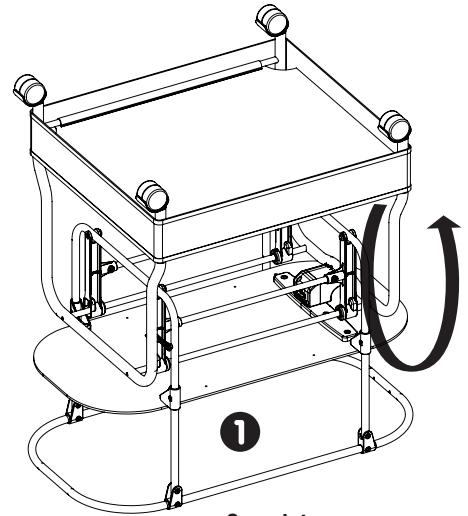
• Turn the assembly downward, with the bottom base facing upward.

2



- Locate the four (x4) casters.
- Insert the casters into the base legs. Push down until you hear the caster “CLICK” into place.
- Pull upward on the caster to assure it is properly attached to bassinet.

3



- **1** Turn the assembly upright.
- **2** Check to be sure the legs are secure. While gently holding the base down, pull up on the top rail. The complete frame assembly should remain intact.

Consumer Information



WARNING

Read all instructions BEFORE assembly and USE of product. KEEP INSTRUCTIONS FOR FUTURE USE.

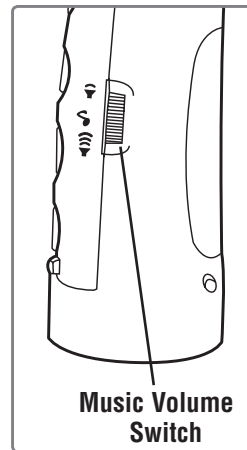
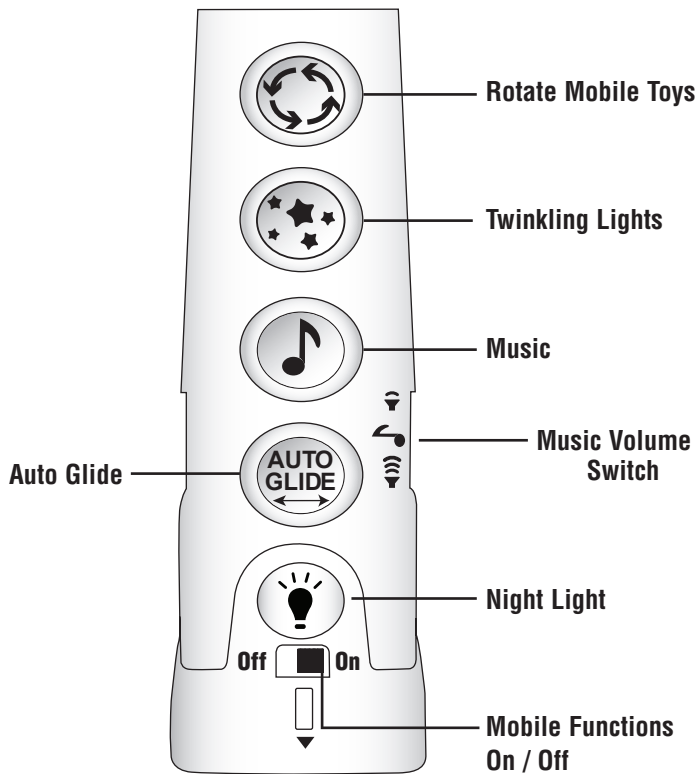
- A mobile is intended for visual stimulation and is not intended to be grasped by the child.
- From birth to 5 months.
- Possible entanglement injury.
- Keep out of baby's reach.
- Remove mobile from bassinet or cradle when baby begins to push up on hands and knees. Toys are not meant to be "mouthed" by the baby and should be positioned clearly out of reach of the baby's face and mouth.
- Adult assembly required.
- Always attach all provided fasteners (strings, straps, clamps, etc.) tightly to the bassinet according to the instructions. Check frequently.
- Do not add additional strings or straps to attach to the bassinet.
- The mobile is not intended for use in playpens or portable cribs.

CAUTION - Changes or modifications not expressly approved by the party responsible for compliance could void the user's authority to operate the equipment.

NOTE: This equipment has been tested and found to comply with the limits for a class B digital device pursuant to Part 15 of the FCC Rules. These limits are designed to provide reasonable protection against harmful interference in a residential installation. This equipment generates, uses and can radiate radio frequency energy and, if not installed and used in accordance with the instructions, may cause harmful interference to radio communications. However, there is no guarantee that interference will not occur in a particular installation. If this equipment does cause harmful interference to radio or television reception, which can be determined by tuning the equipment off and on, the user is encouraged to try to correct the interference by one or more of the following measures:

- Reorient or relocate the receiving antenna.
- Increase the separation between the equipment and receiver.
- Connect the equipment into an outlet on a circuit different from that to which the receiver is connected.
- Consult the dealer or experienced radio/TV technician for help.

Mobile Arm Unit Operation



Mobile Functions On/Off Switch

- Push the Mobile Functions On/Off button at the base of the mobile arm to turn on power. This is the main power switch to the mobile arm and also turns on the power LED on the Night Light button. The LED will stay on in the dark.

Rotate Mobile Toys Button

- Press to begin a 5 minute cycle of rotation.
- Press again to stop the mobile.
- Press to start a new 5-minute cycle. If this button is pressed while mobile is operating, the rotation cycle will restart.

Twinkling Lights Button

- Press to start a 5 minute light show.
- Press again to stop the light show.

Music Button

- Press to start cycle of music.
- Press again to stop the music.

Auto Glide Button

- Press to start 15 minute cycle of auto glide.
- Press again to stop auto glide.

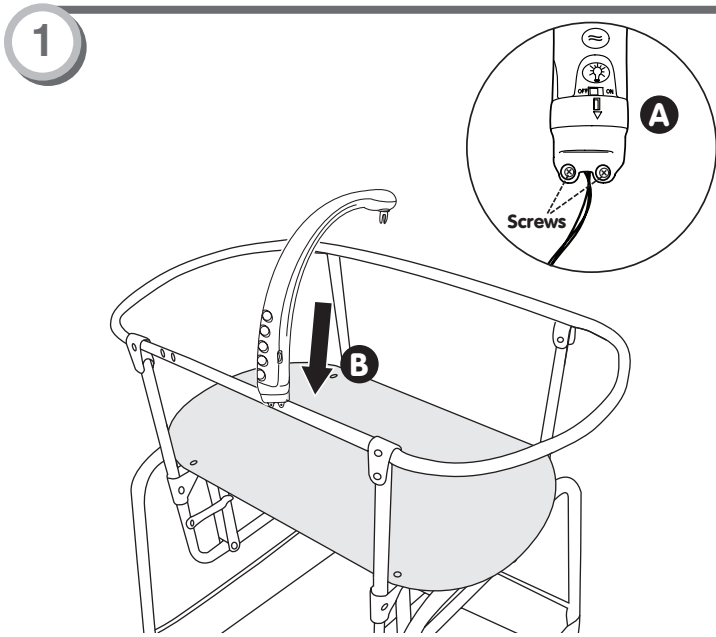
Night Light

- Press to turn on mobile light for 5 minutes.
- Press again to turn light off.

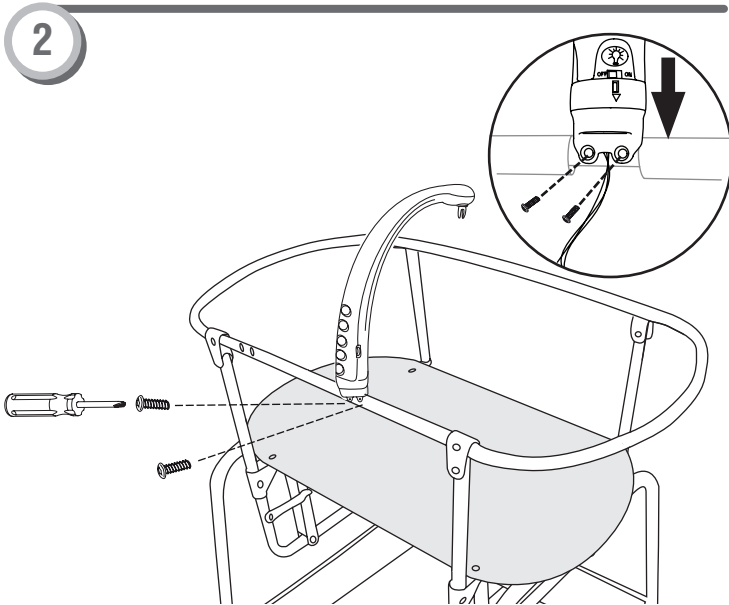
Music Volume Switch

- Push toward + to increase volume.
- Push toward – to decrease volume.

Mobile Arm Assembly

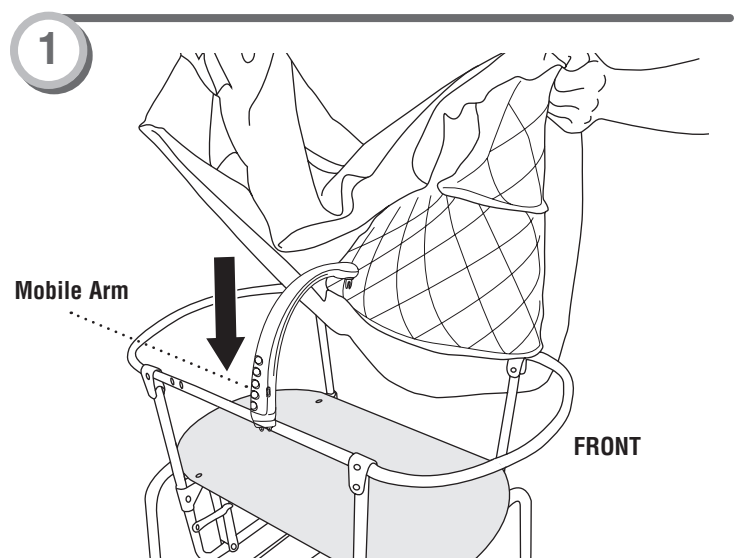


- **A** Remove two (x2) pre-installed screws from mobile arm.
- Locate the pre-drilled holes on the bassinet frame and **B** place the mobile arm over the holes on the bassinet side frame.

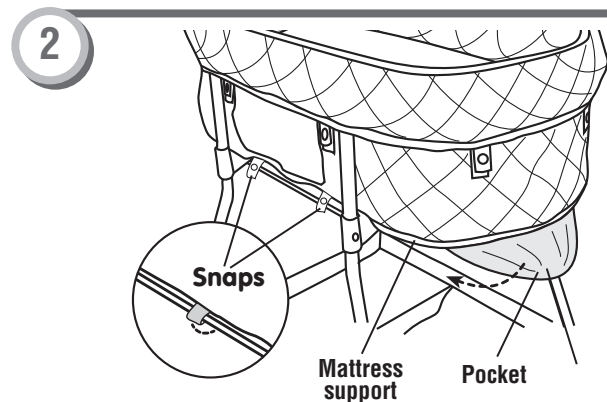


- Re-insert the screws into the mobile arm. Tighten with screwdriver.
- To Remove the Mobile Arm Assembly**
- Please reverse from step two to step one.

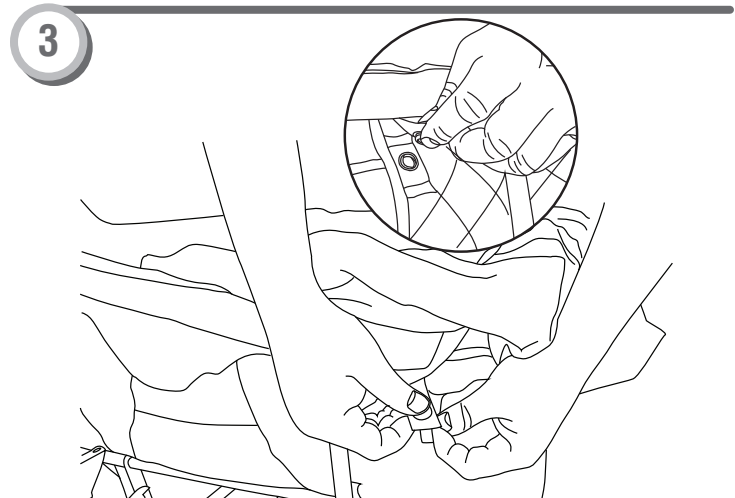
Attaching Fabric



- Locate the fabric liner.
- NOTE:** Side of the frame has the mobile arm attachment holes and the front of the liner has the warning label.
- Align the mobile arm with mobile attachment opening on the warning label end.
 - Place the liner onto the frame. Make sure warning is centered at the front of bassinet.

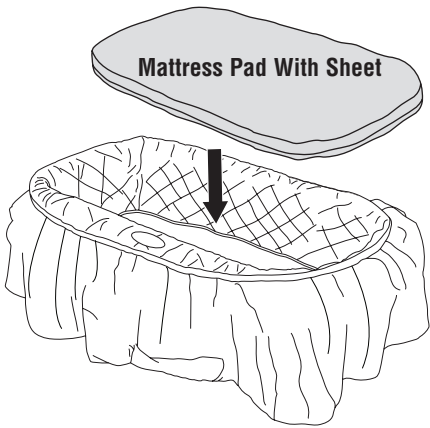


- Stretch the pockets on the bottom of the liner around the ends of the mattress support board.



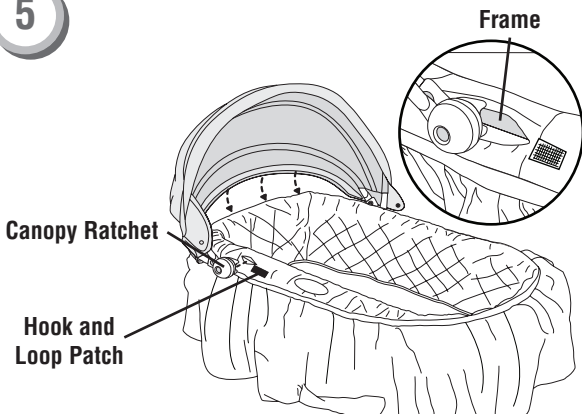
- Lift the skirt on the liner, snap all (8) of the straps around the top of the frame and all (4) snaps to the underside of the mattress support board.

4



- Place the sheet over the mattress pad.
- Place the covered mattress pad into the liner.

5



- Position the canopy over the top end of the bassinet opposite the warning label.
- Push aside foam to expose metal and push the canopy ratchet onto the frame on both sides of the bassinet.
- Fasten the hook and loop fasteners on the back edge of the canopy to the liner. Then fasten the hook and loop patches on each canopy flap to the side of the liner.

Wire Connection Assembly

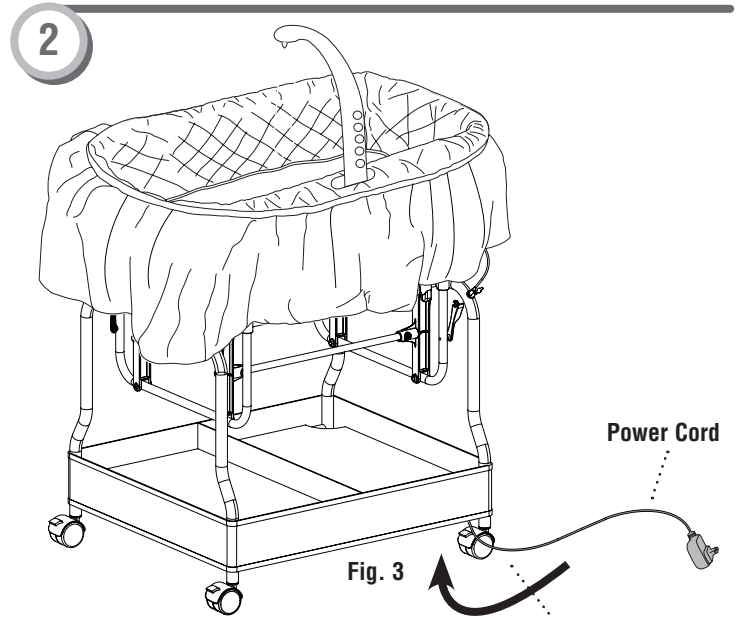
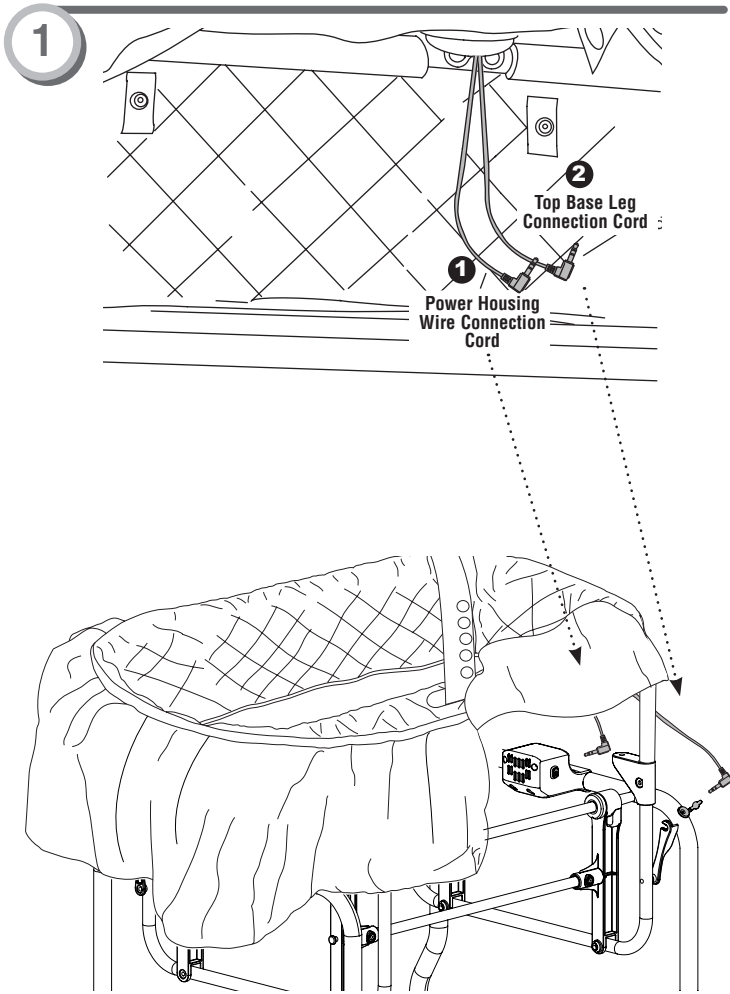
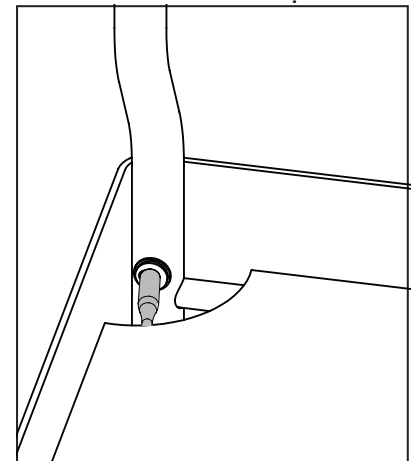


Fig. 3



Bottom Base Leg Connection
Located On The Inside Of Base Leg

Fig. 4

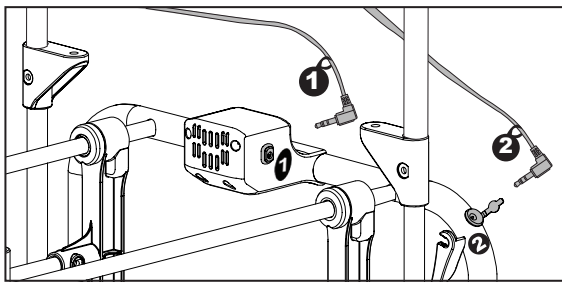


Fig. 1

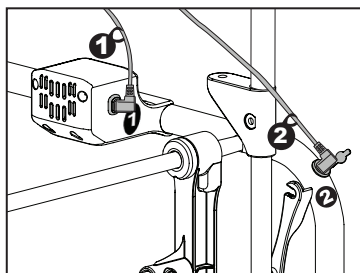
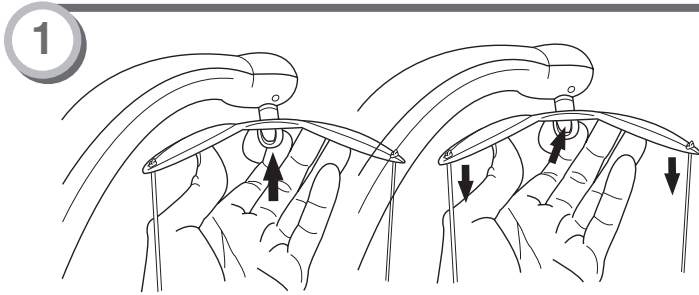


Fig. 2

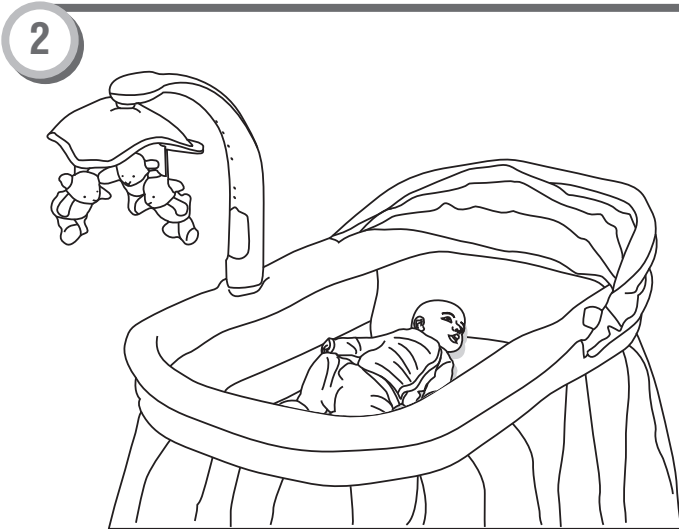
- Locate the Power Cord. Insert underneath the fabric storage liner opening and plug into the Bottom Base Leg Connection. (Fig. 3) until fully connected (Fig.4).

- Lift the fabric on the mobile arm side of the bassinet and connect the mobile arm wire connector into the battery wire connector.
- Locate the Power Housing Wire Connection Cord ① and insert it into the Power Housing ①. (Fig. 1)
- Locate the Top Base Leg Connection Cord ② and insert it into the Top Base Leg ②. (Fig. 1)
- Make sure both wires are fully connected (Fig. 2).

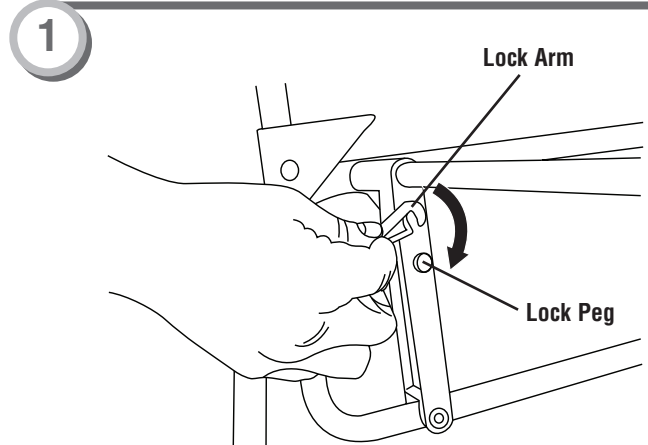
Locking/Unlocking Bassinet



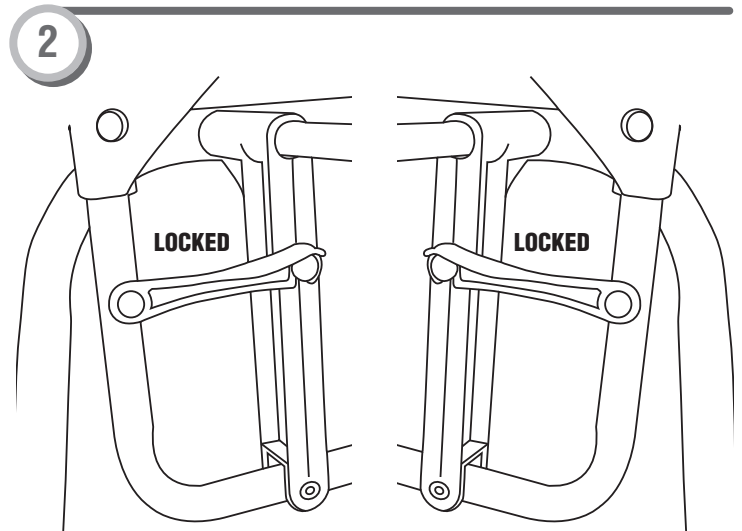
- Fit the mobile to the mobile arm. Push the mobile up firmly.
HINT: To disassemble the mobile for storage, press the tab on the mobile arm and pull the mobile down.



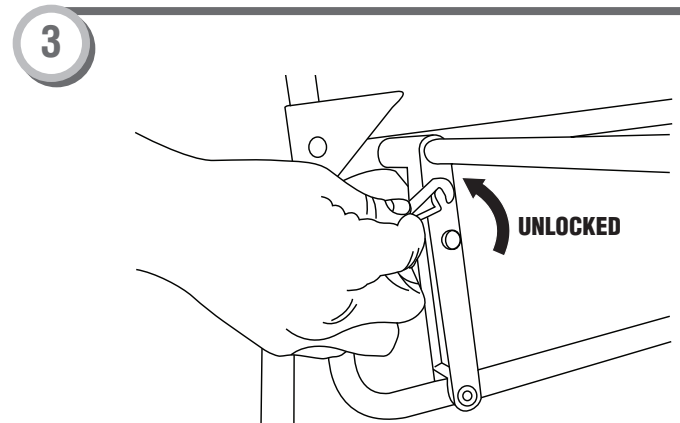
- NOTE:** when placing or lifting a child into or out of the bassinet make sure the canopy is fully rotated into the closed position and electronic mobile arm is fully rotated away from the baby.



- To lock the gliding mechanism, rotate the red lock arm clock wise and snap the lock arm onto the lock peg.
NOTE: There is a lock on both sides of the bassinet.



- HINT:** Locks are located on opposite corners of the bassinet frame.
• Repeat lock procedure on other side of the bassinet.



- To unlock the gliding mechanism rotate the red lock arm counter clock wise and off the lock peg.
NOTE: Remember to unlock both sides of the bassinet.

Care

- The frame, mattress pad, storage basket, canopy, mobile and mobile arm may be wiped clean using a mild cleaning solution and a damp cloth. Do not use bleach. Do not use harsh or abrasive cleaners. Rinse clean with water to remove residue. Do not immerse the frame.
- The sheet is machine washable. Wash it separately in cold water on the gentle cycle. Do not use bleach. Tumble dry separately on low heat and remove promptly.
- Always store product in a clean and dry place.



Delta Children

114 West 26th Street
New York, NY 10001
(646) 435-8726

www.DeltaChildren.com