

SILENT AUTO GLIDING CLASSIC BASSINET

Beautyrest

INSTRUCTION MANUAL

37202-XXX

Styles and colors may vary

▲ WARNING: CHOKING HAZARD

Adult assembly required because of small parts. Keep assembly parts out of reach of children under 3 years.



IMPORTANT: Read all instructions before assembly and use of the product.
Keep the instructions for future reference.

Required Tools: 4 "AA" Batteries (Not included), Screwdriver (Not included)



WARNING

WARNING: Do not use this bassinet if you cannot exactly follow the accompanying instructions. Failure to follow these warnings and instructions could result in serious injury or death.

- **Read all instructions before assembling unit.**

KEEP INSTRUCTIONS FOR FUTURE USE.

DO NOT USE THIS UNIT IF THE INSTRUCTIONS CANNOT BE STRICTLY FOLLOWED.

- Before each usage or assembly, inspect unit for damaged hardware, loose joints, missing parts or sharp edges. NEVER use this product if there are any loose or missing fasteners, loose joints, broken parts, or torn mesh/fabric. Check before assembly and periodically during use. Contact Delta Children's Products Customer Service Department at 1-800-377-3777 (8:00am ~ 4:30pm PST) for replacement parts, repair or instructions.

SUFFOCATION HAZARD **Infants have suffocated:**

- In gaps between an extra padding, a mattress (too small or too thick) and product sides.
- On soft bedding.
- Use only the pad provided by the manufacturer that is no thicker than 25 mm (1 In) and is of such a size that, when pushed against any side of the product, it does not leave a gap of more than 25 mm (1 in) between the mattress and sides.
- **NEVER** add a pillow, comforter or another mattress for padding.
- **DO NOT** leave child unattended in the bassinet when it is in the "rocking/gliding" mode. Always make sure the wheels or stands are in the locked "down" position. Remove any tools or excess parts including plastic packaging from bassinet vicinity after assembly.

FALL HAZARD: To help prevent falls, **DO NOT** use this product when the infant begins to push up on hands and knees or has reached manufacturer's recommended maximum weight of 6.8kg (15lbs), whichever comes first.

STRANGULATION HAZARD: Children have STRANGLED in cords. Keep the cord out of reach of children.

- Strings can cause strangulation! **DO NOT** place items with a string around a child's neck, such as hood strings or pacifier cords. **DO NOT** suspend strings over a product or attach strings to toys.
- To reduce the risk of SIDS, pediatricians recommend healthy infants be placed on their backs to sleep, unless otherwise advised by your physician.
- Always attach all provided fasteners tightly according to the instructions. Check frequently. **DO NOT** use if there are any loose or missing parts or signs of damage. **DO NOT** substitute parts. Contact the manufacturer for replacement parts.
- Use bassinet with only one child at a time.
- Toys are not to be "mouthed" by the baby and should be positioned clearly out of reach of the baby's face and mouth.
- **DO NOT** place medication, small toys, small items, cords, straps or similar items that could become wound around the child's neck in or near this product and do not place product near a window, patio door, heater, or power outlet.
- **DO NOT** place bassinet near a window where cords from blinds or drapes may strangle a child. Child may fall out of window.
- If a sheet is used with the pad, use only the one provided by Delta Children or one specifically designed to fit the dimensions of the bassinet mattress.



EXTENDED WARRANTY

DON'T MISS YOUR CHANCE TO BE COVERED FOR ALL OF LIFE'S MISHAPS!

With Delta's Extended Warranty, you're covered for mechanical failure from normal use or if your item stops working due to normal wear and tear, plus all those unexpected surprises.

2 YEARS OF PROTECTION

For Additional Information:

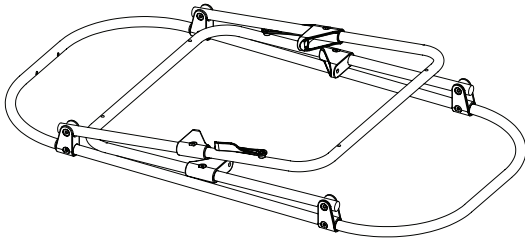
Simply visit our Website, register your product, and add the Extended Warranty

<https://www.deltachildren.com/pages/product-registration>

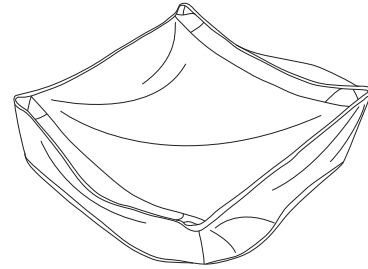
Extended Warranty only available in the following States: Arkansas, Colorado, Delaware, District of Columbia, Georgia, Idaho, Illinois, Indiana, Iowa, Kansas, Kentucky, Louisiana, Maryland, Michigan, Mississippi, Missouri, Nebraska, Nevada, New Hampshire, New York, North Carolina, North Dakota, Pennsylvania, Rhode Island, South Dakota, Tennessee, Utah, West Virginia

PARTS

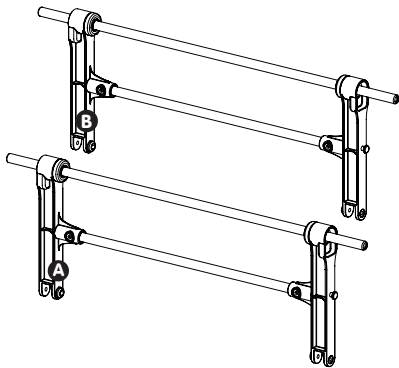
IMPORTANT! Please remove all parts from the package and identify them before assembly.



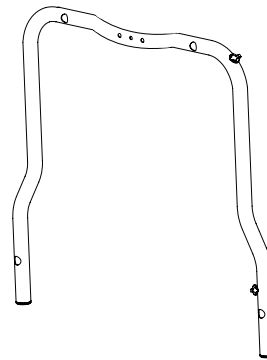
Frame
Part # 50393



Fabric Storage Liner
Part # 50360



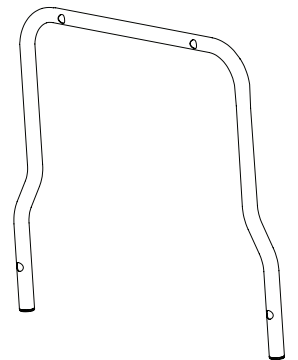
Swing Arms - (X2)
Part # 50354



Front Base Leg with Wire Connection (X1)

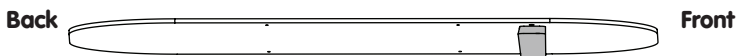
Part # 50395

(For power housing and power cord attachment)



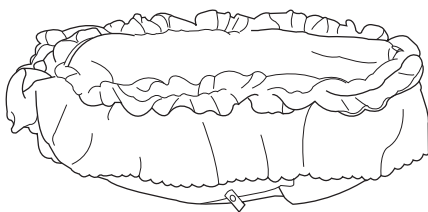
Back Base Leg

Part # 50396



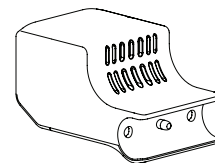
Mattress Support Board

Part # 50397



Fabric Liner

Part # 50399



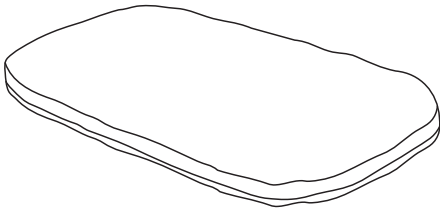
Power Housing (X1)

(Needs 2 - M6 - 3.5cm - screws to attach to front base leg with wire connection)

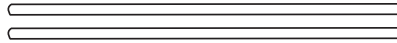
Part # 50394

PARTS

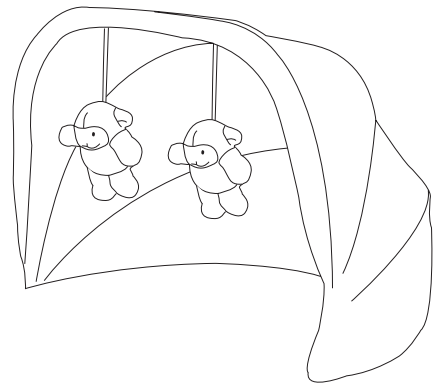
IMPORTANT! Please remove all parts from the package and identify them before assembly.



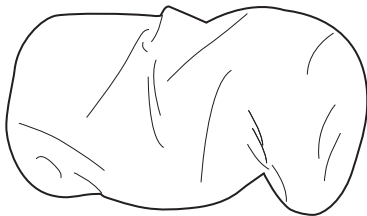
Mattress Pad
Part # 50359



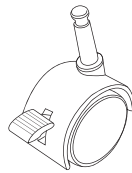
Support Tubes (X2)
Part # 50357



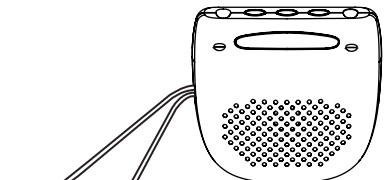
Canopy With Plush Bears
Part # 50366



Sheet
Part # 50361

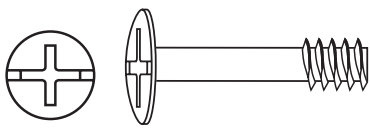


Locking Casters (X4)
Part # 50398

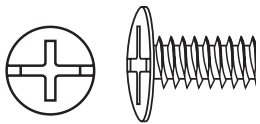


Music Module
Part # 50400

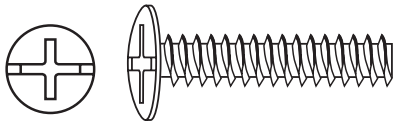
*Screws are shown in actual size - 18 total screws



M5 - 3.2cm x 4pcs
(Used for swing arm assembly)



M6 - 1.7cm x 12pcs



M6 - 3.5cm x 2pcs
(Used for power housing assembly)

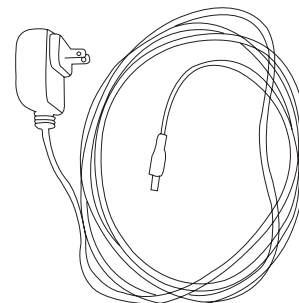


M5 CAP - x 4pcs

Hardware
Part #50392

**Power Housing
Connection Cord**

**Top Base Leg
Connection Cord**



Power Cord
Part # 50363

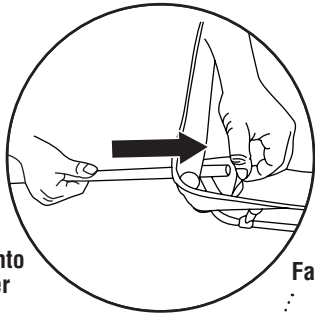


Phillips Screwdriver (NOT INCLUDED)

ASSEMBLY

BOTTOM BASE ASSEMBLY

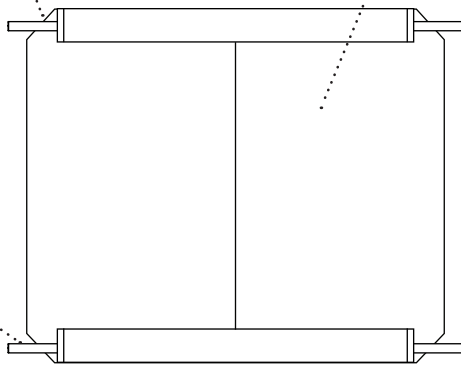
1



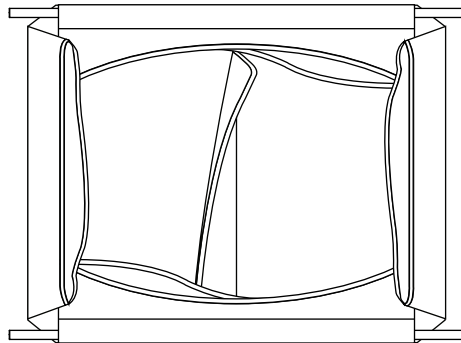
Slide Support Tube Into Fabric Storage Liner

Fabric Storage Liner

Support Tube

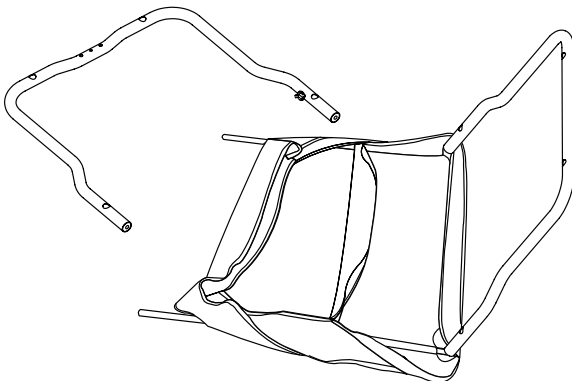


Fabric Storage Liner Facing Upward



- Locate the two (x2) support tubes, and the fabric storage liner.
- Slide the support tubes into fabric storage liner on both sides.
- Flip over the fabric storage liner with support tubes, facing upward.

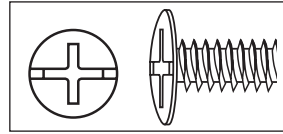
2



- Insert the back base leg into fabric storage liner.

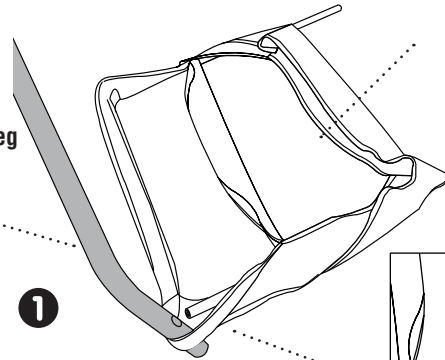
3

M6 Screw - 1.7cm - x2 - Actual Size

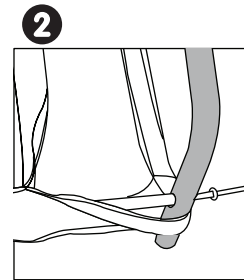


Fabric Storage Liner

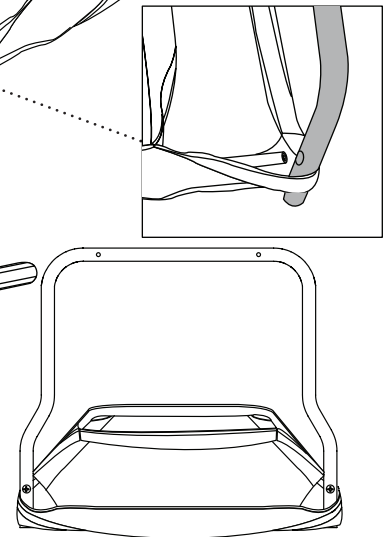
Back Base Leg



1



2

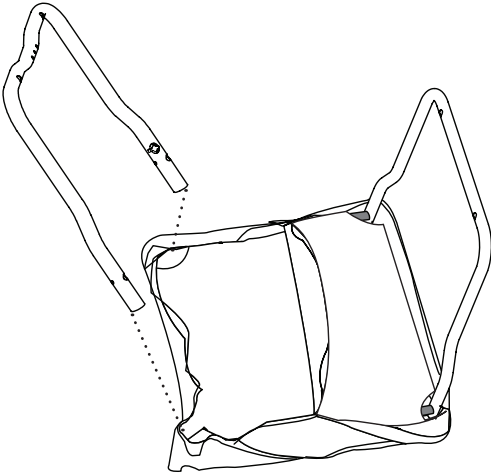


- Locate the two (x2) M6 x 1.7cm screws, the back base leg, and a Phillips screwdriver.
- **1** Align the bottom holes of the back base leg with the support tubes.
- **2** Insert the (x2) M6 screws on both sides of the back base leg and use a Phillips screwdriver to tighten both screws on both sides.

ASSEMBLY

BOTTOM BASE ASSEMBLY

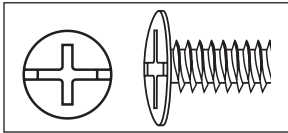
4



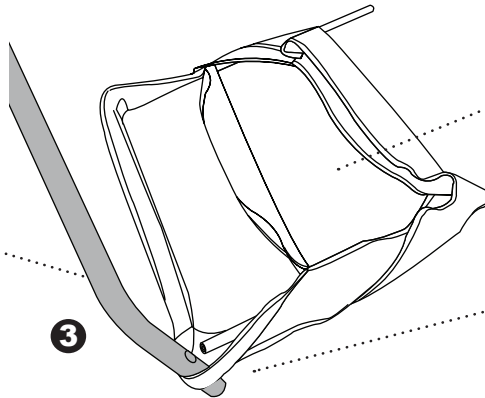
- Insert front base leg with wire connection into fabric storage liner.

5

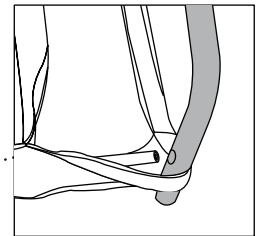
M6 Screw - 1.7cm - x2 - Actual Size



Front Base Leg With Wire Connection



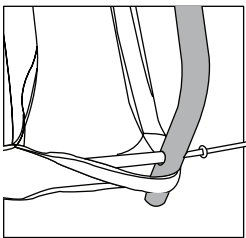
Storage Fabric



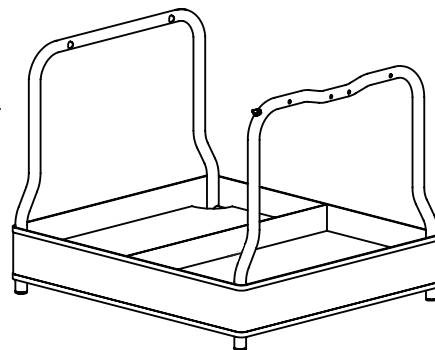
3

Base Legs Fully Attached To Support Tubes

4



Back Base Leg And Front Base Leg With Wire Connection Fully Attached To Support Tubes



Fully Assembled Bottom Base

- Locate the two (x2) M6 x 1.7cm screws, the front base leg with wire connection, and a Phillips screwdriver.
- **3** Align the other bottom holes on the front base leg with wire connection (curved top) with the other support tube.

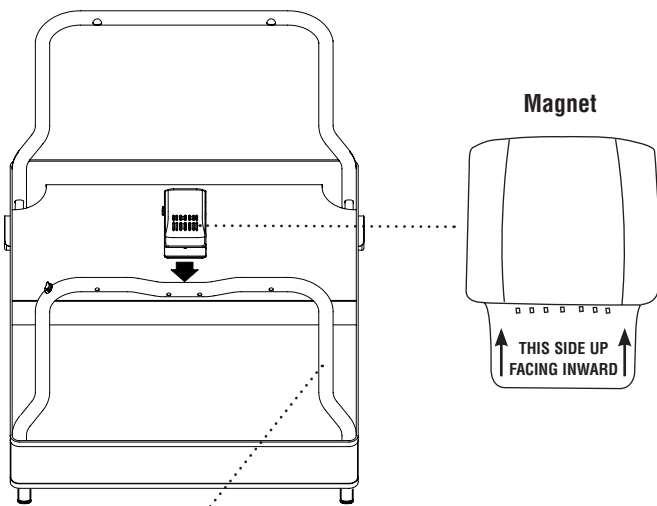
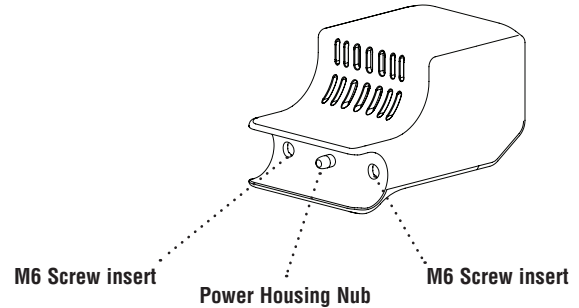
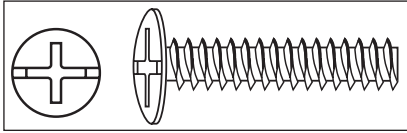
- **4** Insert the other (x2) M6 screws on both sides of the base leg and use a Phillips screwdriver to tighten both screws on both sides.

ASSEMBLY

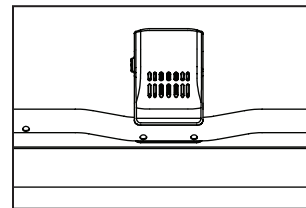
ATTACHING POWER HOUSING TO FRONT BASE LEG

1

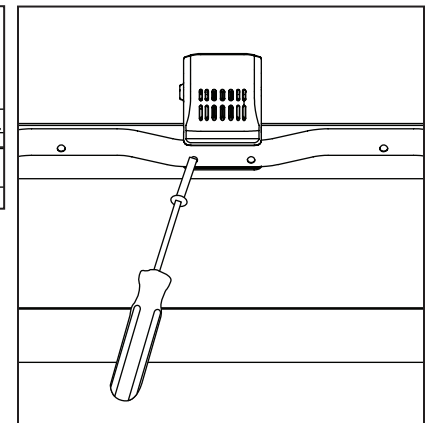
M6 Screw - 3.5cm - x2 - Actual Size



Front Base Leg With Wire Connection

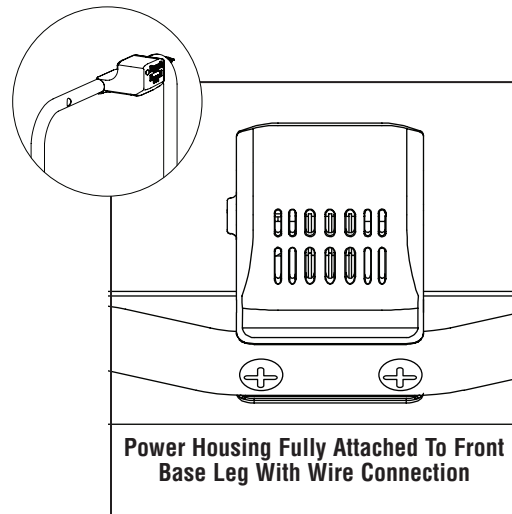


Power Housing Nub Clicked into Base Leg With Wire Connection



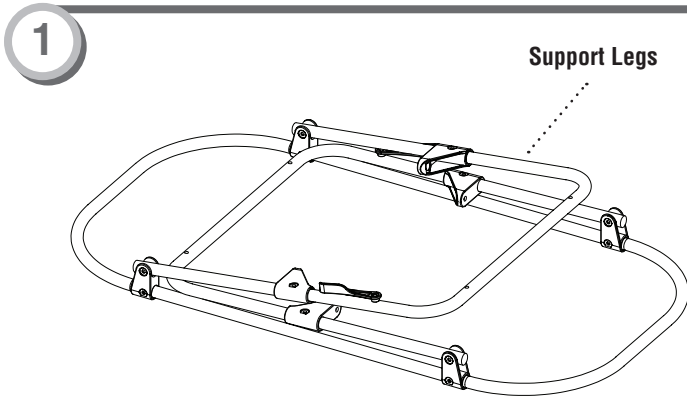
Attach (x2) M6 Screws

- Locate the power housing, front base leg with wire connection, two (x2) M6 x 3.5cm screws and a Phillips screwdriver.
- Align the power housing nub to the center hole on the base leg and attach the two together until it clicks into a fully locked position. Use a Phillips screwdriver to tighten (x2) M6 screws on the opposite sides of the magnet nub.
- Pull outward on the power housing to make sure it is securely attached.



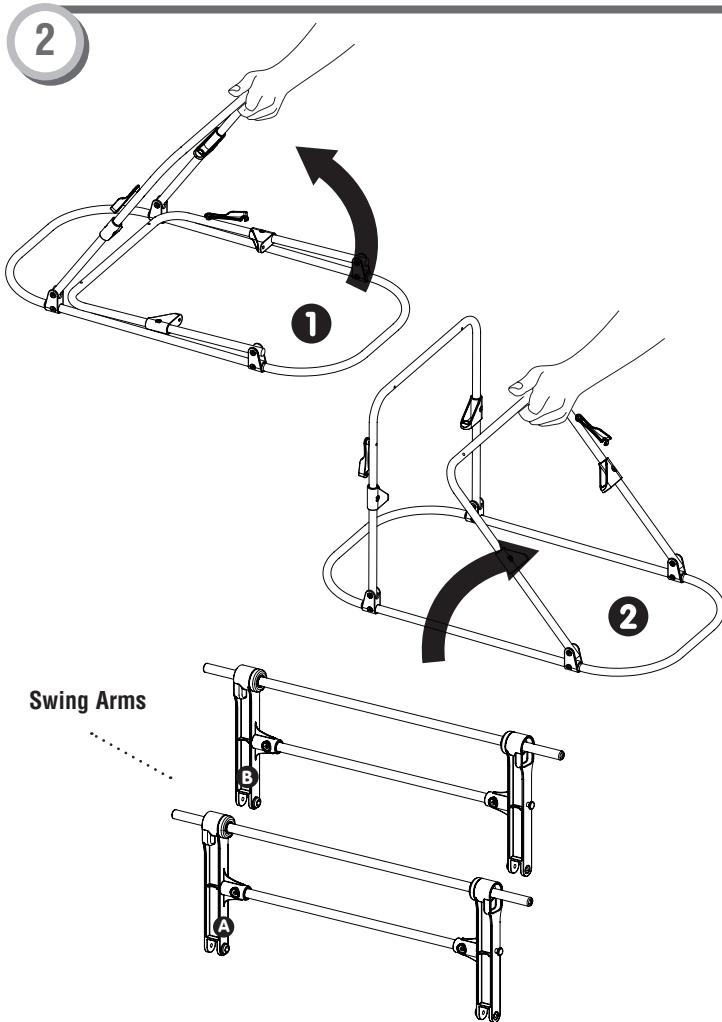
ASSEMBLY

TOP FRAME ASSEMBLY

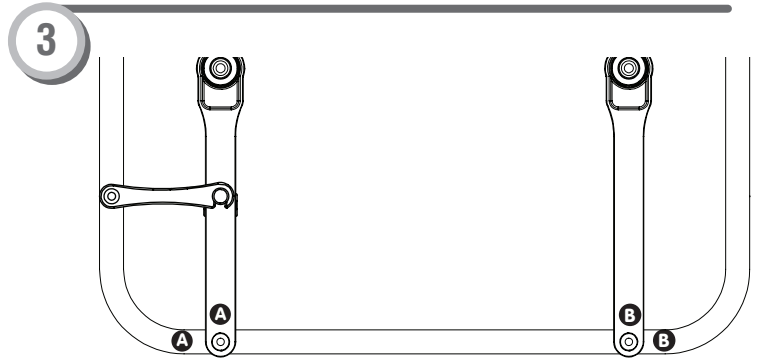


NOTE: You may need the help of another adult to help steady all parts for assembly.

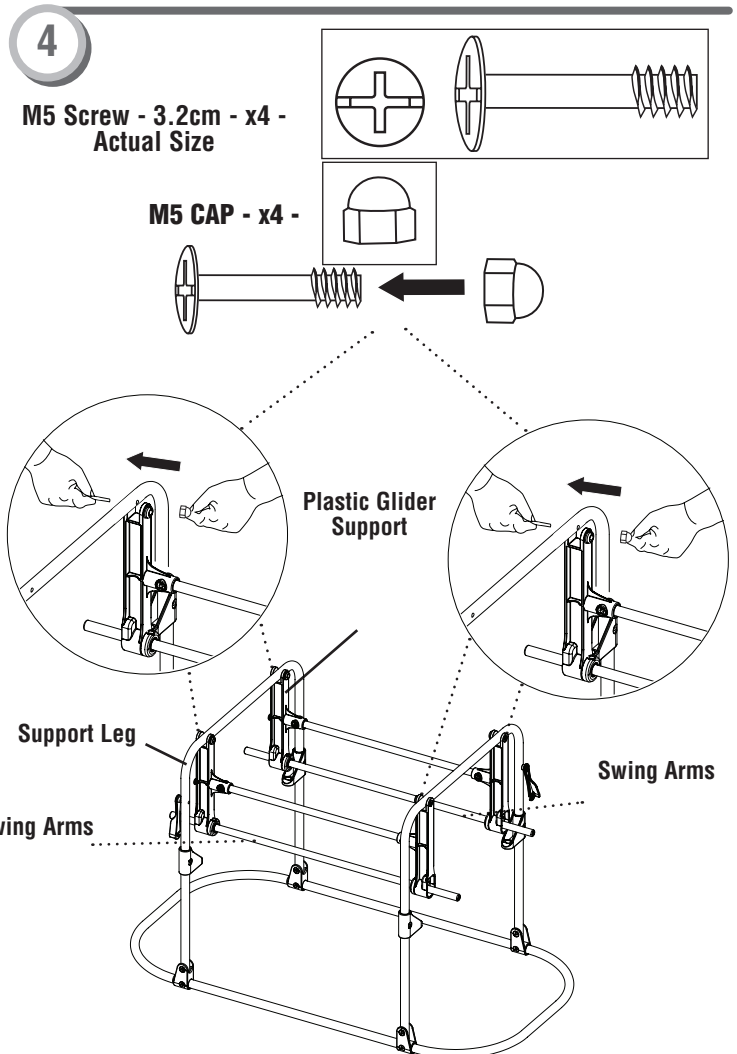
- Place the frame on a flat surface with the support legs facing up.



- Rotate the support legs out as shown in the above images.
- Locate the two swing arms.



- Align the swing arm **A** with the support leg **A**.
- Align the second swing arm **B** with the opposite support leg **B**.



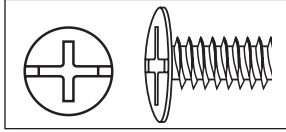
- Locate the four (x4) M5 x 3.2cm screws, (x4) M5 CAPS and a Phillips screwdriver.
- Align the bottom holes of the plastic glider support with the support leg holes and insert the x2 M5 screws attaching the x2 M5 CAPS on the opposite side, use Phillips screwdriver to tighten the two screws and M5 CAPS.
- Repeat for other swing arm on opposite side.

ASSEMBLY

TOP FRAME AND BOTTOM BASE FRAME ATTACHMENT

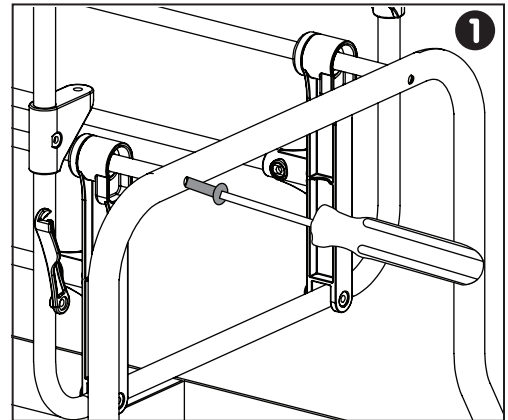
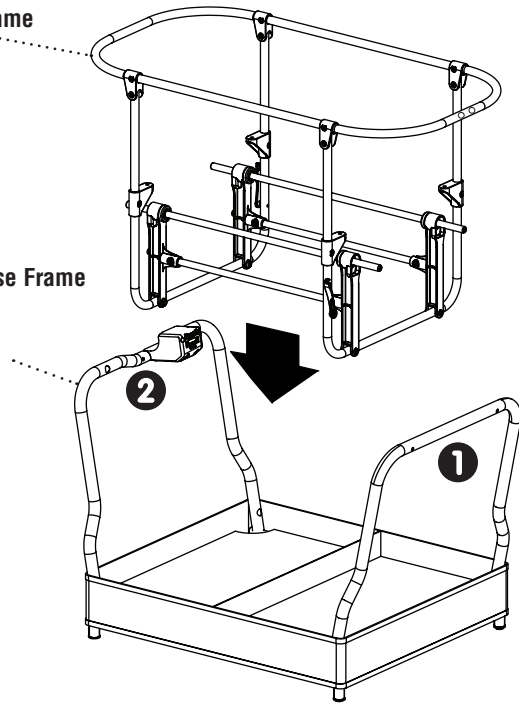
1

M6 Screw - 1.7cm - x4 - Actual Size

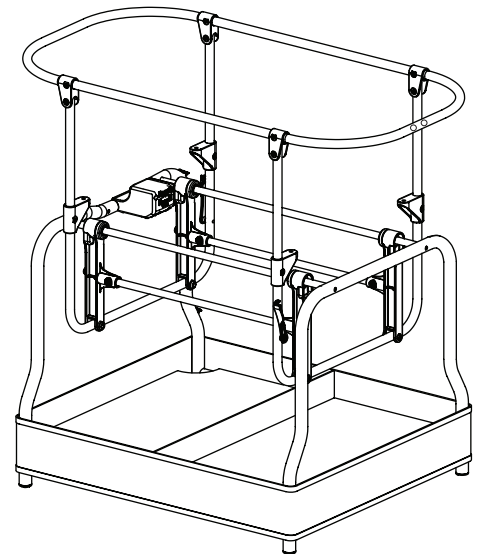


Top Frame

Bottom Base Frame



Attach (x2) M6 Screws On Both Sides Connecting The Top Frame and Bottom Base Frame



Top Frame and Bottom Base Frame Fully Attached

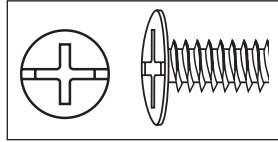
- Locate the four (x4) M6 x 1.7cm screws, top frame, base frame, and a Phillips screwdriver.
- **1** Align the top holes of the base leg with the tube of the top frame.
- Insert the (x2) M6 screws into each hole and use a Phillips screwdriver to tighten the two screws into both holes.
- **2** Align the top holes on the base leg with power housing and the opposite side of the top frame.
- Insert the other (x2) M6 screws and use a Phillips screwdriver to tighten the two screws into both holes.

ASSEMBLY

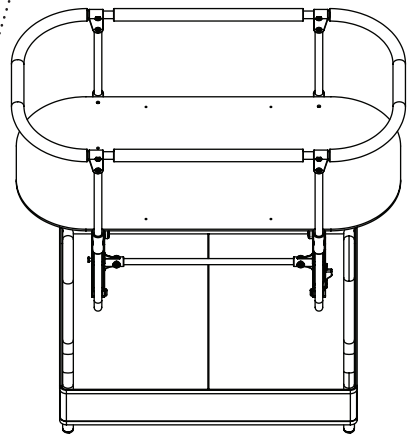
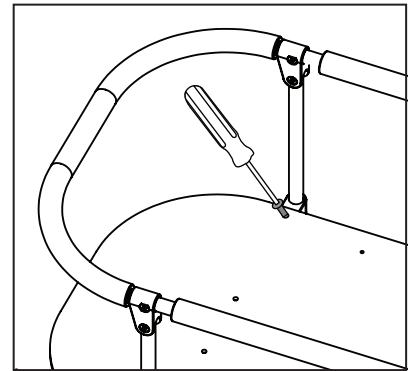
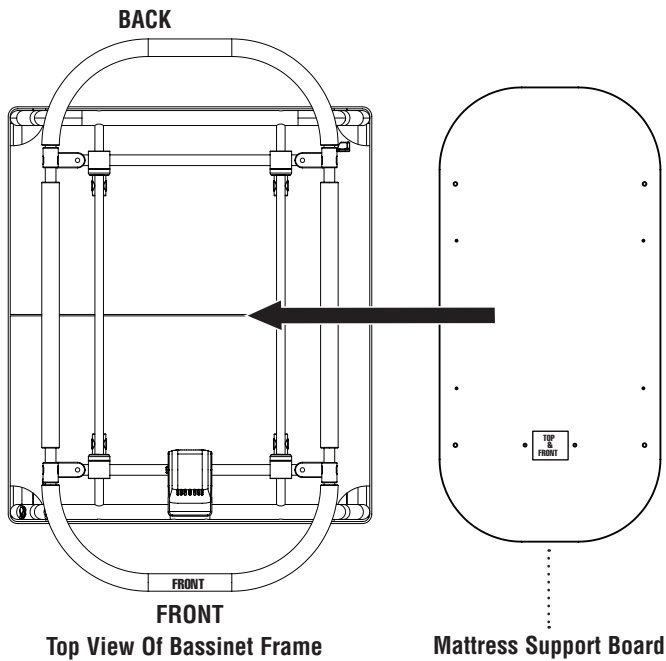
MATTRESS SUPPORT BOARD ASSEMBLY

1

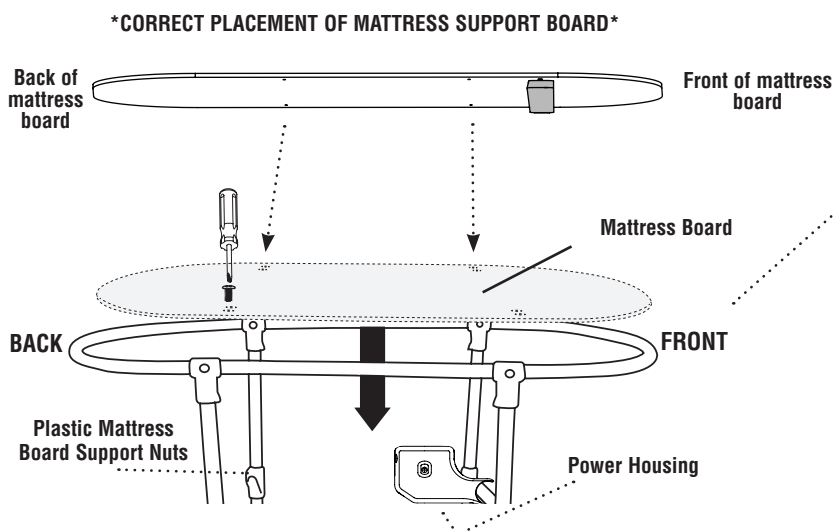
M6 Screw - 1.7cm - x4 - Actual Size



- Locate the mattress board, four (x4) M6 X 1.7cm screws, and a Phillips screwdriver.
- Place the mattress board with the front and back labels facing the correct way - into the frame lining up the four holes with the plastic mattress board support nuts.
- Using a Phillips screwdriver and four (x4) M6 x 1.7cm screws, tighten the mattress board onto the plastic mattress board supports nuts.



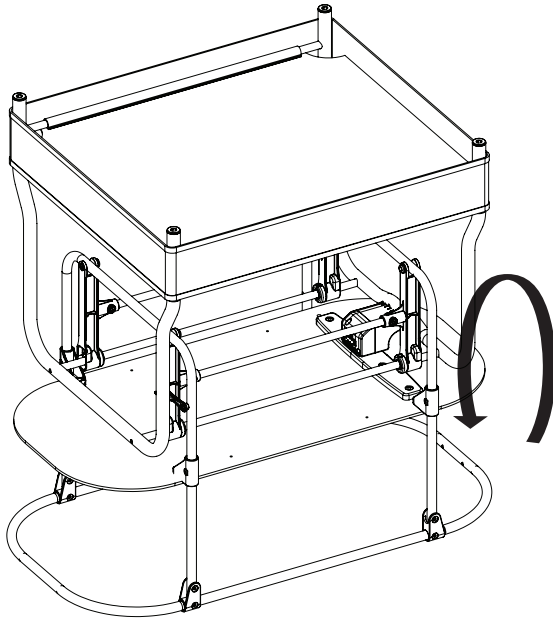
Mattress Support Board Fully Attached To Bassinet Frame



ASSEMBLY

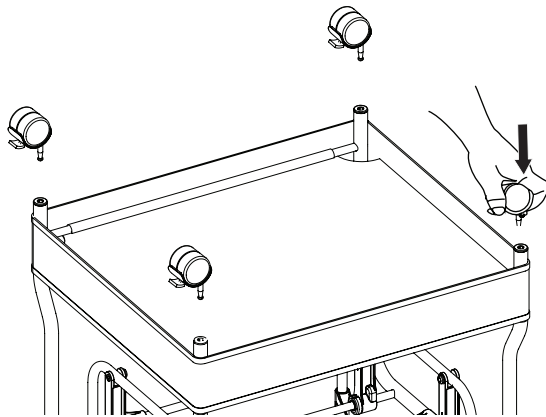
LOCKING CASTER ASSEMBLY

1



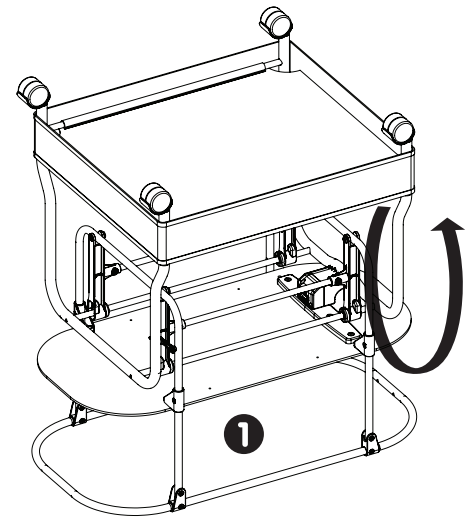
- Turn the assembly downward, with the bottom base facing upward.

2



- Locate the four (x4) casters.
- Insert the casters into the base legs. Push down until you hear the caster "CLICK" into place.
- Pull upward on the caster to assure it is properly attached to bassinet.

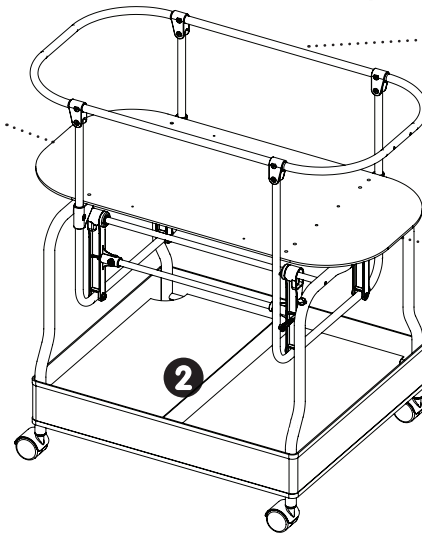
3



Complete Frame Assembly

BACK

FRONT



- **1** Turn the assembly upright.
- **2** Check to be sure the legs are secure. While gently holding the base down, pull up on the top rail. The complete frame assembly should remain intact.

Consumer Information



WARNING

Read all instructions BEFORE assembly and USE of product. KEEP INSTRUCTIONS FOR FUTURE USE.

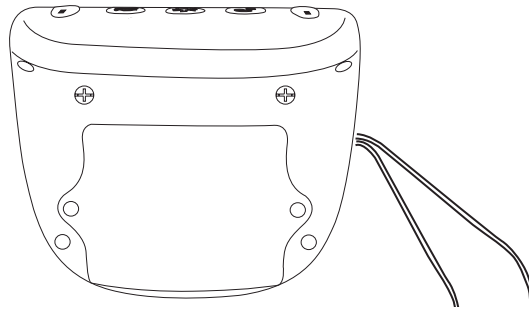
CAUTION - Changes or modifications not expressly approved by the party responsible for compliance could void the user's authority to operate the equipment.

NOTE: This equipment has been tested and found to comply with the limits for a class B digital device, pursuant to Part 15 of the FCC Rules. These limits are designed to provide reasonable protection against harmful interference in a residential installation. This equipment generates, uses and can radiate radio frequency energy and, if not installed and used in accordance with the instructions, may cause harmful interference to radio communications. However, there is no guarantee that interference will not occur in a particular installation. If this equipment does cause harmful interference to radio or television reception, which can be determined by tuning the equipment off and on, the user is encouraged to try to correct the interference by one or more of the following measures:

- Reorient or relocate the receiving antenna.
- Increase the separation between the equipment and receiver.
- Connect the equipment into an outlet on a circuit different from that to which the receiver is connected.
- Consult the dealer or experienced radio/TV technician for help.

ASSEMBLY

BATTERY SAFETY INFORMATION

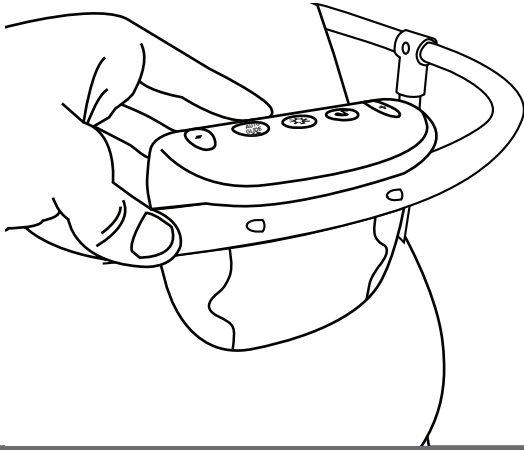


In exceptional circumstances, batteries may leak fluids that can cause a chemical burn injury or ruin your product. To avoid battery leakage:

- Do not mix old and new batteries or batteries of different types: Alkaline, standard (carbon zinc) or rechargeable (nickel-cadmium).
- Insert batteries as indicated inside battery compartment
- Remove batteries during long periods of non-use. Always remove exhausted batteries from the product. Dispose batteries safely. Do not dispose of product in a fire. The batteries inside may explode or leak.
- Never short-circuit the battery terminals.
- Use only batteries of the same or equivalent type as recommended.
- Do not charge non-rechargeable batteries.
- Remove rechargeable batteries from the product before charging.
- If removable, rechargeable batteries are used, they are only to be charged under adult supervision.

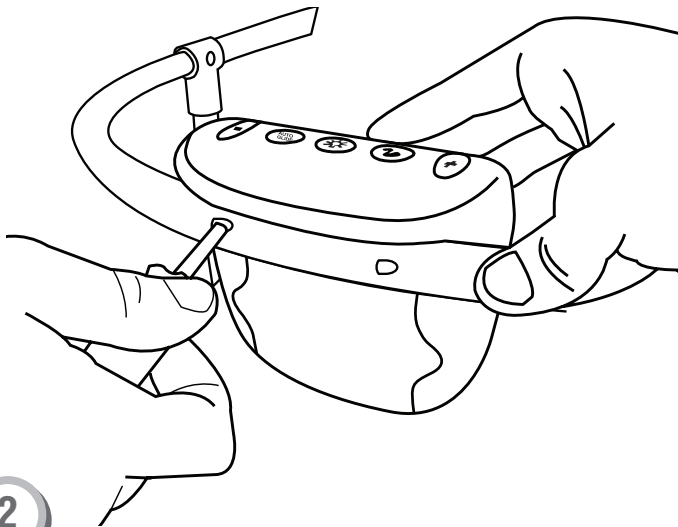
ASSEMBLY

ATTACHING MUSIC MODULE



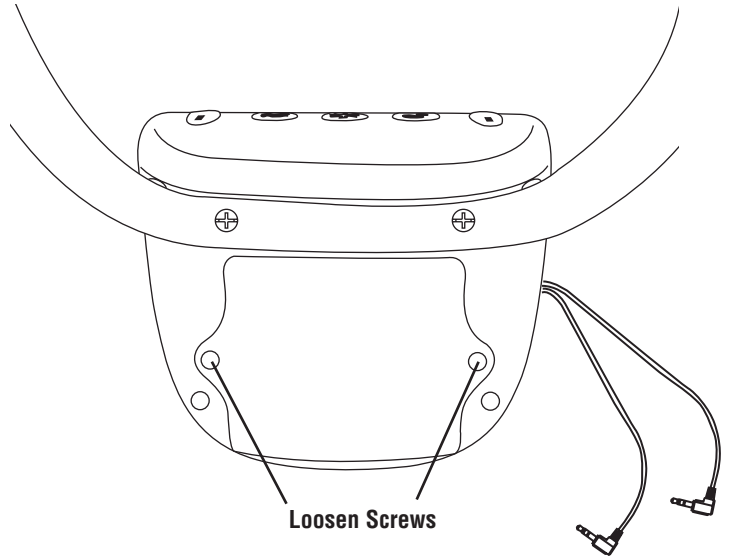
1

- To attach Music Module, remove the screws and line up music module to screw holes on front mattress support frame.



2

- Position Music Module onto mattress support frame and screw module to frame.



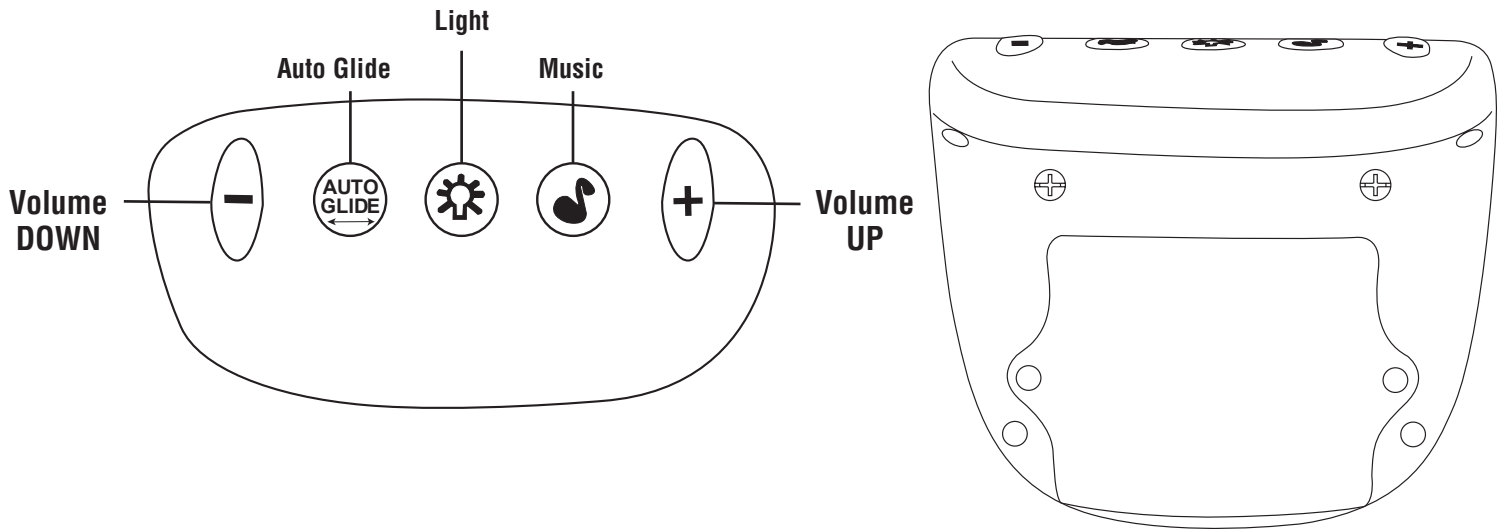
Loosen Screws

3

- Locate battery Compartment on the front of music module. Loosen screw in Battery Compartment with Phillips Head screwdriver.
 - Lift to remove door. Insert four (4) "AA" alkaline batteries.
 - Replace door and tighten screw.
- NOTE: We recommend using alkaline batteries for longer battery life.

ASSEMBLY

MUSIC MODULE OPERATION



- Press Auto Glide button (AUTO GLIDE) to start 15 minute cycle of auto glide.
- Press again to stop auto glide.
- Activate bassinet light by pressing LIGHT button (⚙️) on the top of the music module.

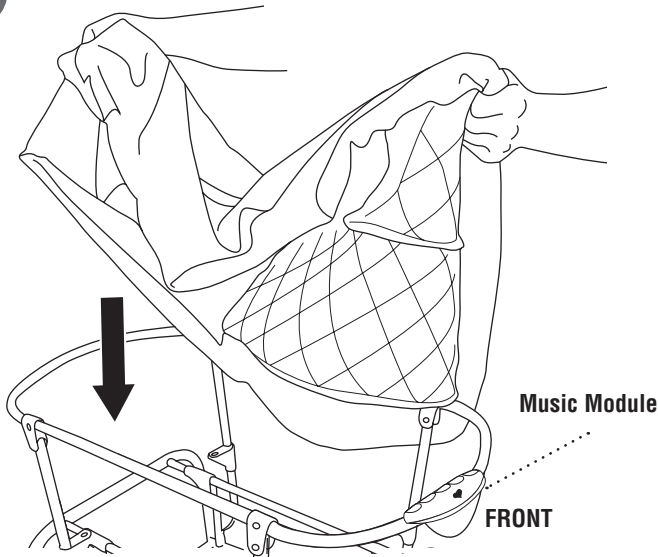
NOTE: Light will stay on in 10-minute cycles, unless button is pressed before 10 minutes are up.

- Press MUSIC button (🎵) on top of the music module to activate MUSIC. Press button multiple times to cycle through three (3) music melodies.
- Volume can be adjusted with UP/DOWN buttons on the top of the music module.

ASSEMBLY

ATTACHING FABRIC

1

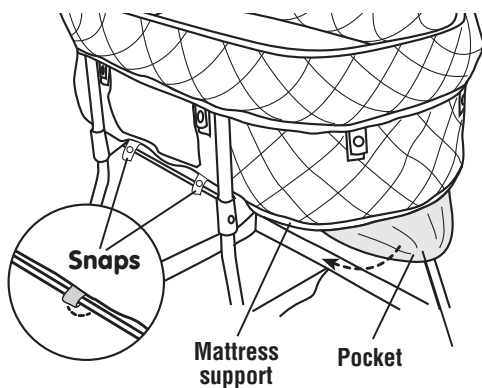


- Locate the fabric liner.

NOTE: Front of the frame has the music module and the front of the liner has the warning label.

- Align the fabric hole over the music module.
- Place the liner onto the frame. Make sure warning is centered at the front of the bassinet.

2



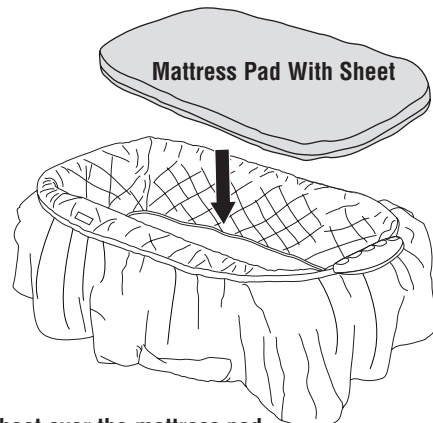
- Stretch the pockets on the bottom of the liner around the ends of the mattress support.

3



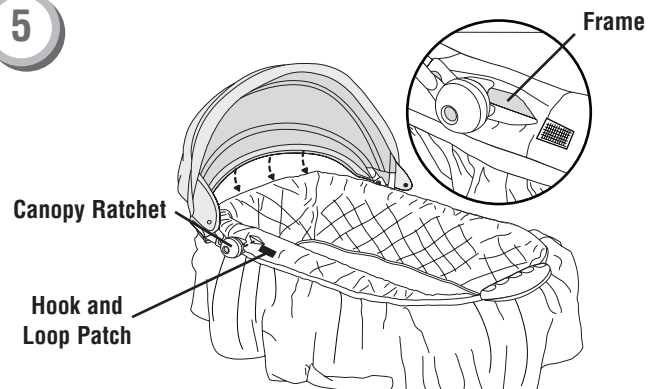
- Lift the skirt on the liner, snap all (8) of the straps around the top of the frame and all (4) snaps to the underside of the mattress board.

4



- Place the sheet over the mattress pad.
- Place the covered mattress pad into the liner.

5



- Position the canopy over the top end of the bassinet opposite the warning label.
- Push aside foam to expose metal and push the canopy ratchet onto the frame on both sides of the bassinet.
- Fasten the hook and loop fasteners on the back edge of the canopy to the liner. Then fasten the hook and loop patches on each canopy flap to the side of the liner.

ASSEMBLY

WIRE CONNECTION ASSEMBLY

1

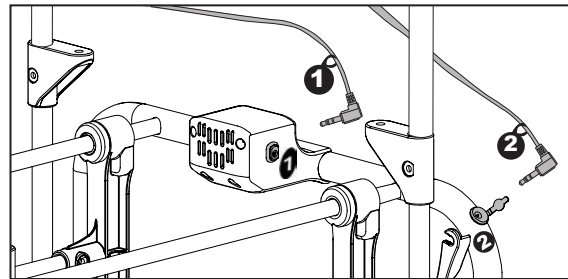
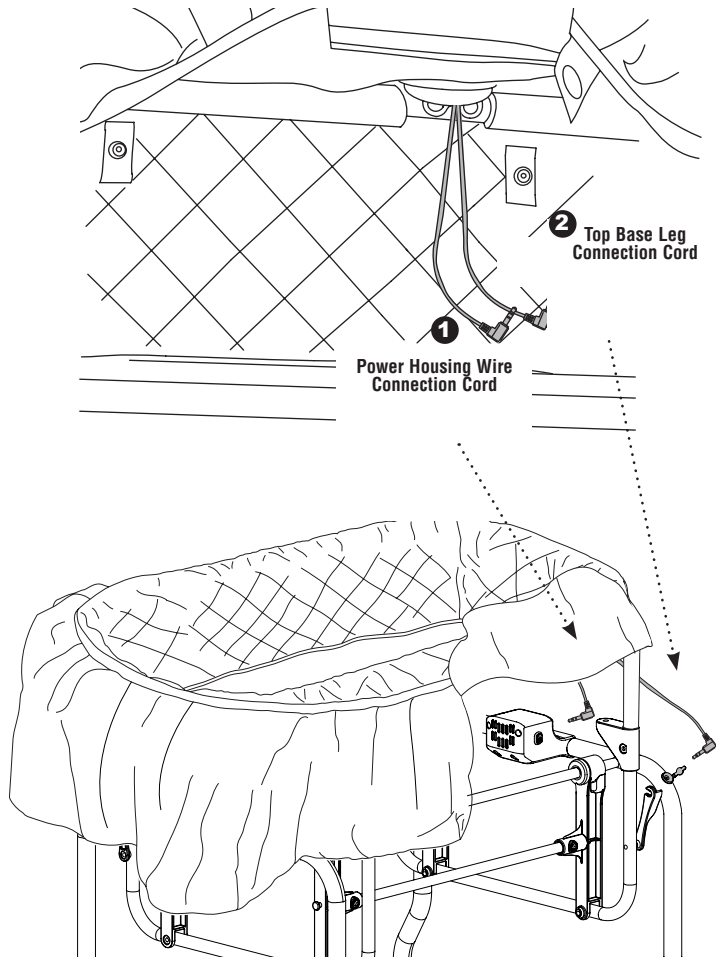


Fig. 1

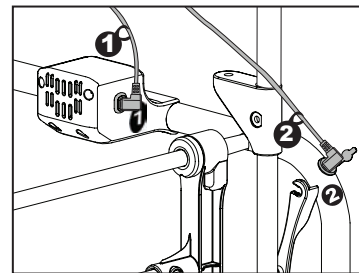


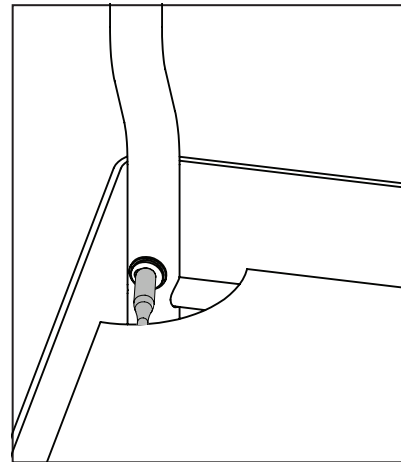
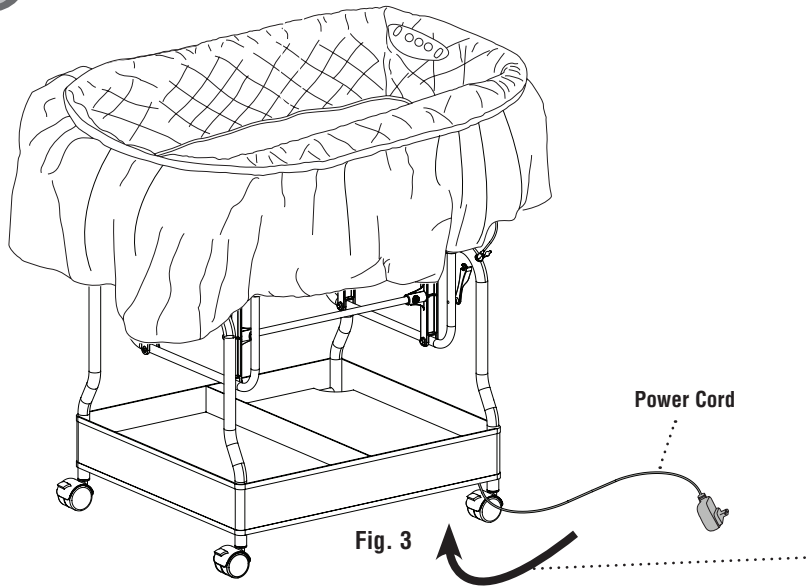
Fig. 2

- Lift the fabric on the side of bassinet.
- Locate the Power Housing Wire Connection Cord **1** and insert it into the Power Housing **1**. (Fig. 1)
- Locate the Top Base Leg Connection Cord **2** and insert it into the Top Base Leg **2**. (Fig. 1)
- Make sure both wires are fully connected (Fig. 2).

ASSEMBLY

WIRE CONNECTION ASSEMBLY

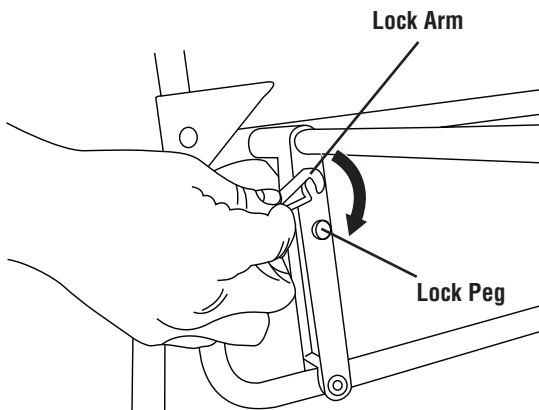
2



- Locate the Power Cord. Insert underneath the fabric storage liner opening and plug into the Bottom Base Leg Connection (Fig. 3) until fully connected (Fig.4).

LOCKING/UNLOCKING BASSINET

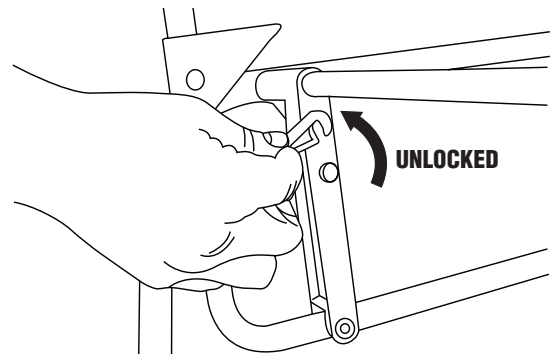
1



- To lock the gliding mechanism, rotate the red lock arm clock wise and snap the lock arm onto the lock peg.

NOTE: There is a lock on both sides of the bassinet.

3



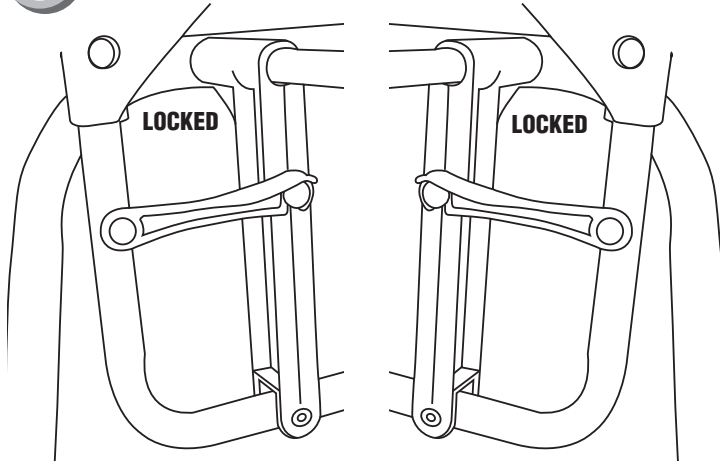
- To unlock the gliding mechanism rotate the red lock arm counter clock wise and off the lock peg.

NOTE: Remember to unlock both sides of the bassinet.

ASSEMBLY

LOCKING/UNLOCKING BASSINET

2



HINT: Locks are located on opposite corners of the bassinet frame.

- Repeat lock procedure on other side of the bassinet.

CARE AND MAINTENANCE

- The frame, mattress pad, storage basket, music module may be wiped clean using a mild cleaning solution and a damp cloth. Do not use bleach. Do not use harsh or abrasive cleaners. Rinse clean with water to remove residue. Do not immerse the frame.
- The sheet is machine washable. Wash it separately in cold water on the gentle cycle. Do not use bleach. Tumble dry separately on low heat and remove promptly.
- Always store product in a clean and dry place.



Delta Children

114 West 26th Street
New York, NY 10001
1-800-377-3777

www.DeltaChildren.com