

Play Time Rocking Bassinet



INSTRUCTION MANUAL

Read all instructions BEFORE assembly and USE of product. KEEP INSTRUCTIONS FOR FUTURE USE.

35201-270

Styles and colors may vary



**▲ WARNING:
CHOKING HAZARD**

Adult assembly required because of small parts. Keep assembly parts out of reach of children under 3 years.

Required Tools: 4 "AA" Batteries (Not included), Screwdriver (Not included)

Consumer Information



WARNING

Failure to follow these warnings and instructions could result in serious injury or death.

- **Read all instructions before assembling unit.**

KEEP INSTRUCTIONS FOR FUTURE USE.

DO NOT USE THIS UNIT IF THE INSTRUCTIONS CANNOT BE STRICTLY FOLLOWED.

- Before each usage or assembly, inspect unit for damaged hardware, loose joints, missing parts or sharp edges. NEVER use this product if there are any loose or missing fasteners, loose joints, broken parts, or torn mesh/fabric. Check before assembly and periodically during use. Contact Simmons Customer Service Department at 1-800-377-3777 (8:00am ~ 4:30pm PST) for replacement parts, repair or instructions.
- **DO NOT** substitute parts.
- **FALL HAZARD**—To help prevent falls, DO NOT use this product when the infant begins to push up on hands and knees or has reached manufacturer's recommended maximum weight of 15lbs. (6.8kg), whichever comes first.
- Use bassinet with only one child at a time.
- Strings can cause strangulation! DO NOT place items with a string around a child's neck, such as hood strings or pacifier cords. DO NOT suspend strings over a product or attach strings to toys.
- **SUFFOCATION HAZARD:** Infants can suffocate:
 - In gaps between an extra pad and side of the bassinet/criadle.
 - On soft bedding.
- Use ONLY the pad provided by the manufacturer. **NEVER** add a pillow, comforter or another mattress for padding.
- If a sheet is used with the pad, use only the one provided by the manufacturer or one specifically designed to fit the dimensions of the bassinet/criadle.
- To reduce the risk of SIDS, pediatricians recommend healthy infants be placed on their back to sleep, unless otherwise advised by your physician.
- Never use plastic shipping bags or other plastic film as a mattress covers not sold and intended for that purpose. They can cause suffocation.
- **DO NOT** place bassinet near a window where cords from blinds or drapes may strangle a child. Child may fall out of window.
- **DO NOT** place cords, straps or similar items that could become wound around a child's neck in or near the bassinet.

CARE AND MAINTENANCE

Check bassinet for worn parts, torn material or stitching periodically. Replace or repair the parts as needed. Use Delta replacement parts.



Manufactured for and distributed by:

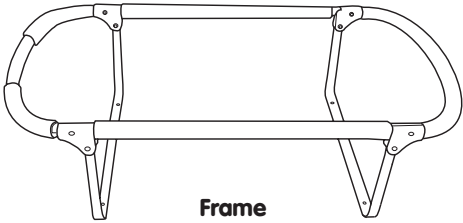
Delta Childrens Products Corp

114 West 26th Street
New York, NY 10001
1-800-377-3777

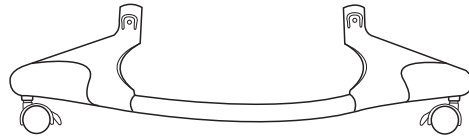
www.deltachildren.com

Parts

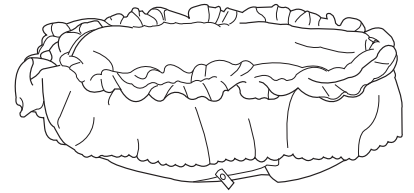
IMPORTANT! Please remove all parts from the package and identify them before assembly.



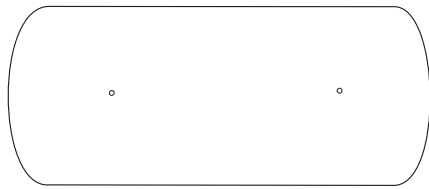
Frame



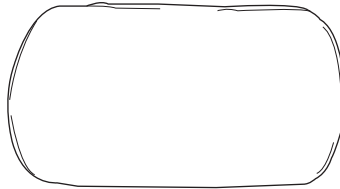
Base with Wheels - 2



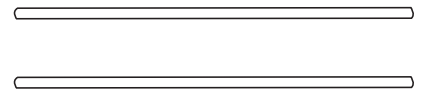
Liner



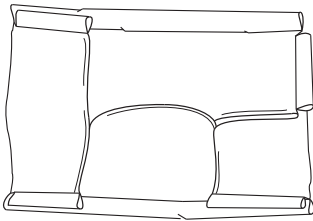
Mattress Support



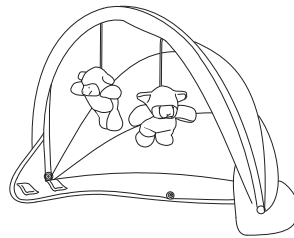
Mattress Pad



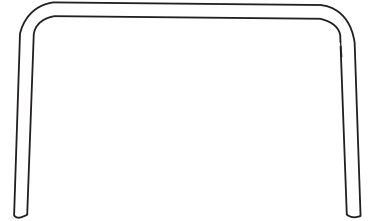
Cross Tubes - 2



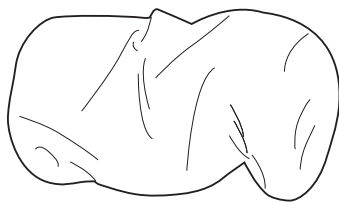
Storage Basket



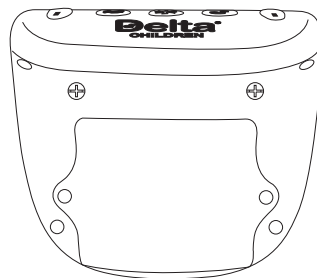
Canopy



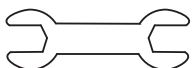
Legs - 2



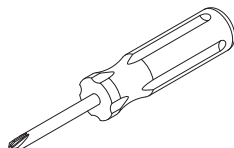
Sheet



Music Module



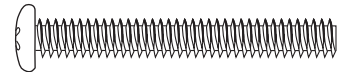
Wrench



Screwdriver



M5 X 2.6cm Screw - 2



M6 x 4cm Screw - 8



M5 2.7cm Pre-installed Screw in Music Box- 2



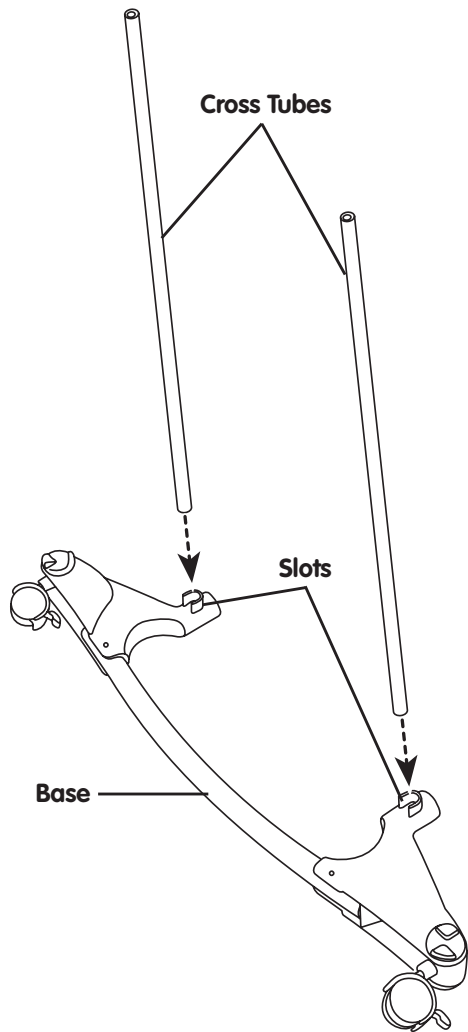
M5 Lock Nut - 2



M6 Lock Nut - 4

Shown Actual Size

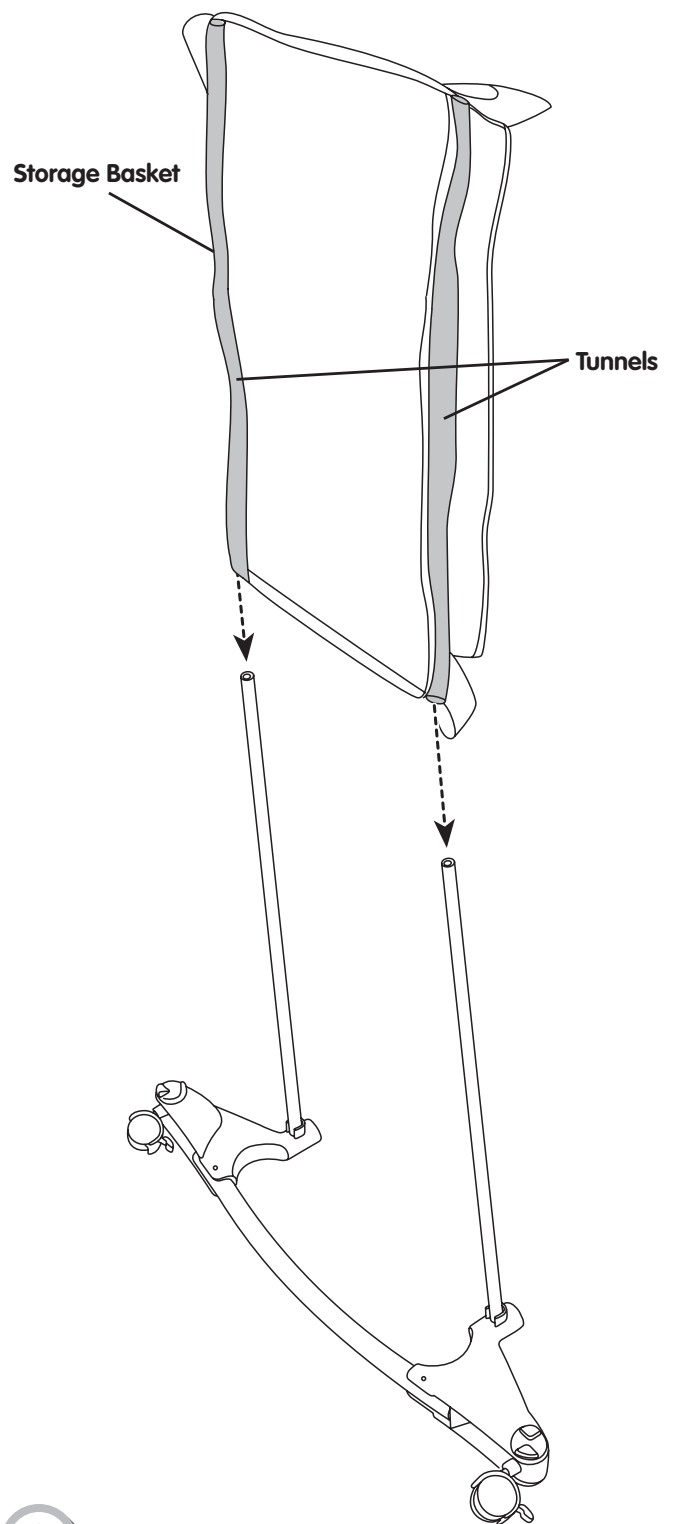
Bassinet Assembly



1

Note: You may need the help of another adult to help steady all parts for assembly.

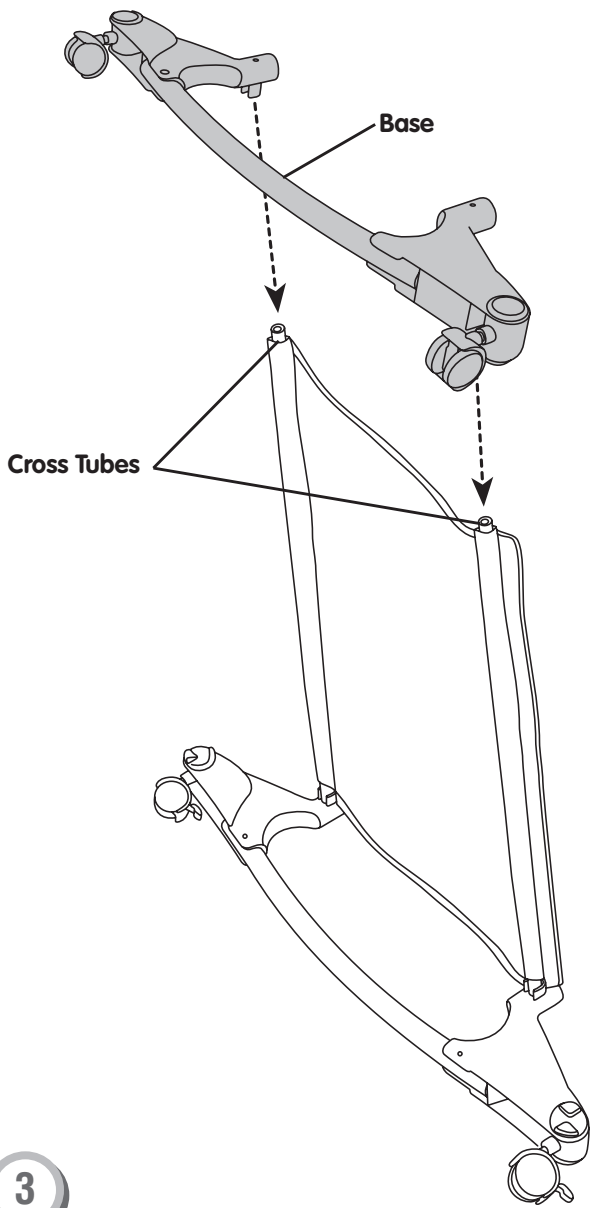
- Place a base on a flat surface with the slots facing up.
- Fit a cross tube into each slot. Push down on each tube to be sure it is in place.



2

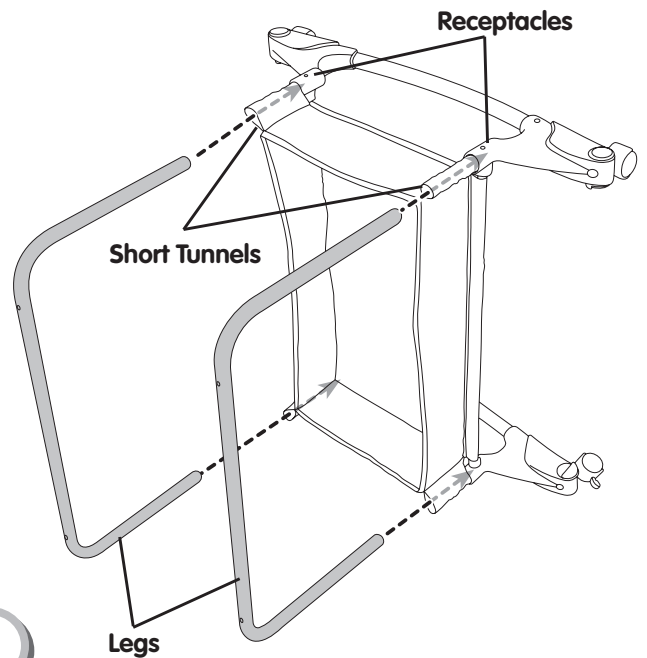
- Position the storage basket so that the pockets face away from you.
- Slide the storage basket fabric sleeves onto the cross tubes.

Bassinet Assembly



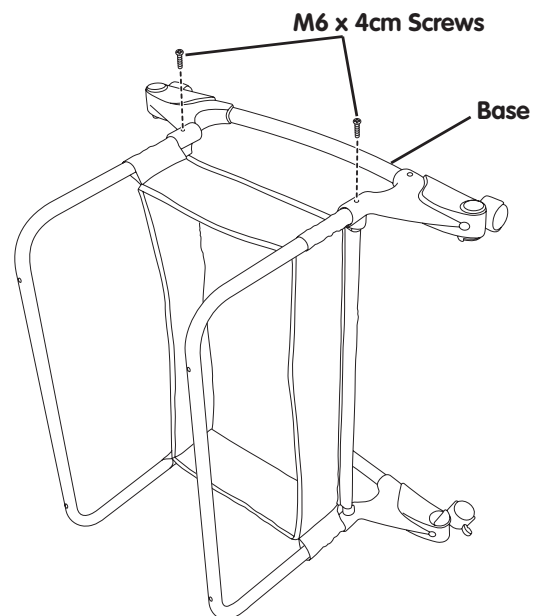
3

- Fill the other base slots onto the cross tubes. Push on the base near each cross tube to be sure it is in place.

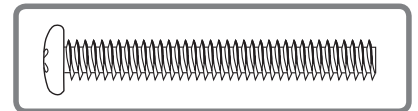


4

- First, fit the ends of a leg into short fabric sleeves in the storage basket.
- Then, fit the ends of the leg into receptacle in each base.
- Repeat this procedure to assemble the other leg to the storage basket and bases.



5

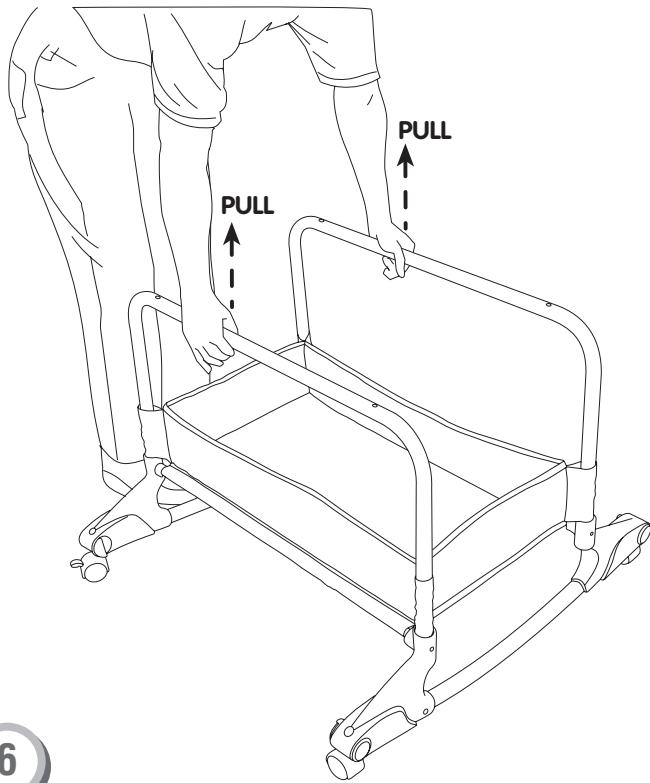


- Insert an M6 x 4cm screw through the hole in each base, the ends of the legs and into the end of each cross tube.

Hint: You may need to align the holes of all three parts to properly insert the screw.

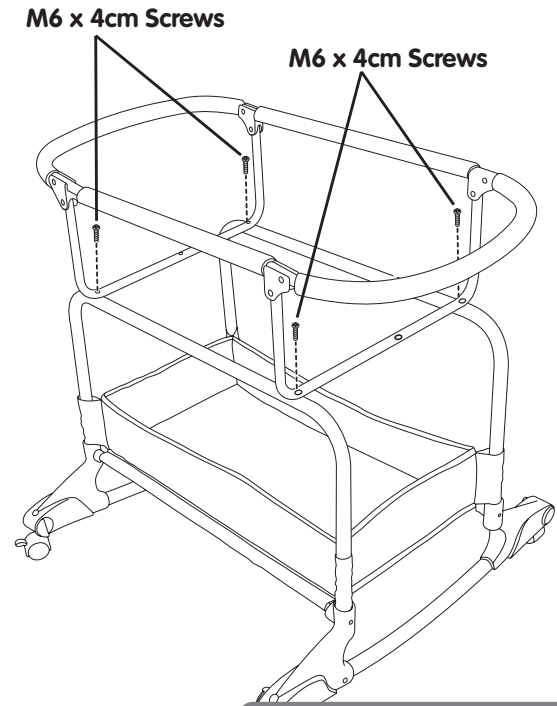
- Tighten the screw with the Phillips screwdriver.
- Repeat this procedure to fasten the legs, bases and cross tubes on the other side of the assembly.

Bassinet Assembly



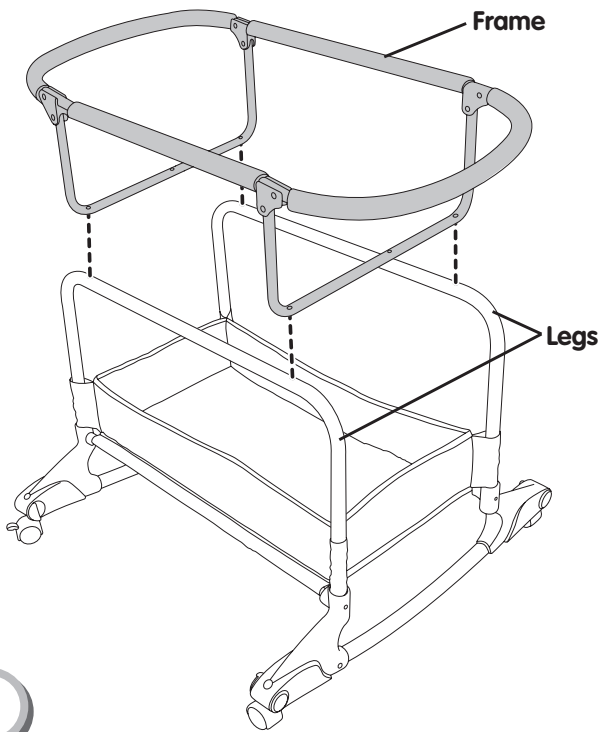
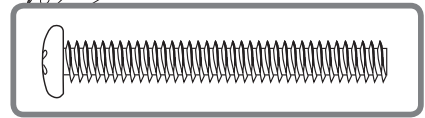
6

- Turn the assembly upright.
- Check to be sure the legs are secure. While gently holding the base down, pull up on the legs. They should remain assembled to the bases.



8

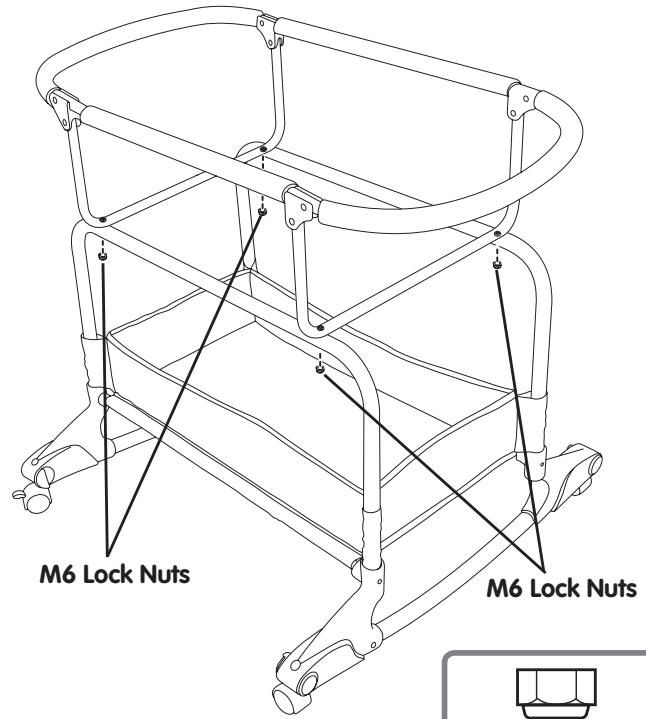
- Insert four M6 x 4cm screws through the holes in the frame and legs.



7

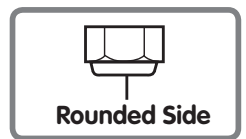
- Rotate the bases of the frame down.
- Place the frame onto the top of the legs. Align the holes in the bases of the frame with the holes in the legs.

Note: Do not remove the foam around top of frame.

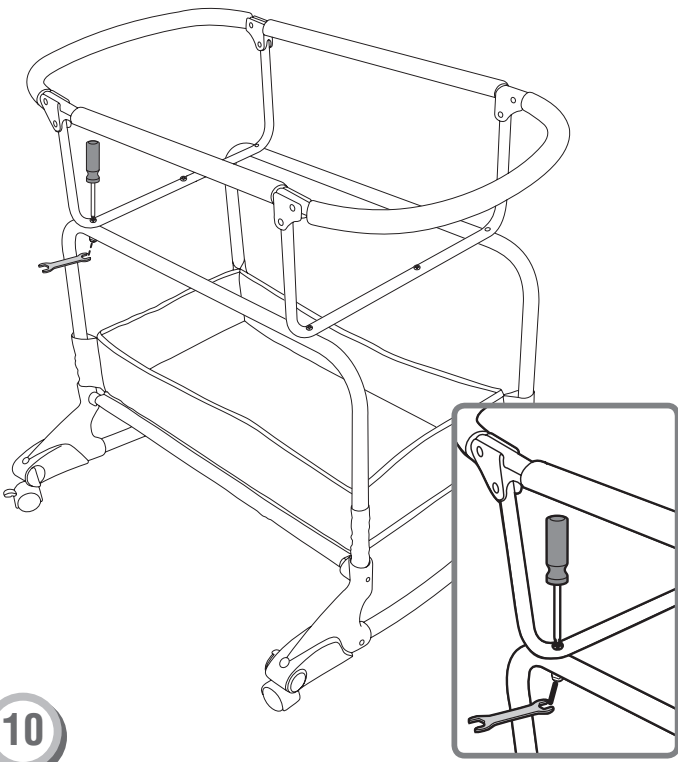


9

- Attach an M6 nut to the end of each screw. Make sure the rounded side of the lock nuts face down. Hand-tighten the lock nuts onto the screws.

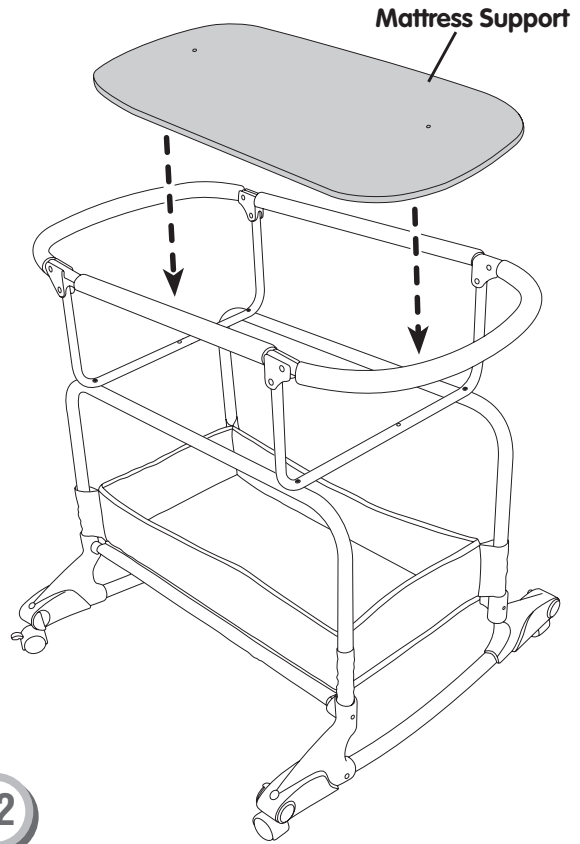


Bassinet Assembly



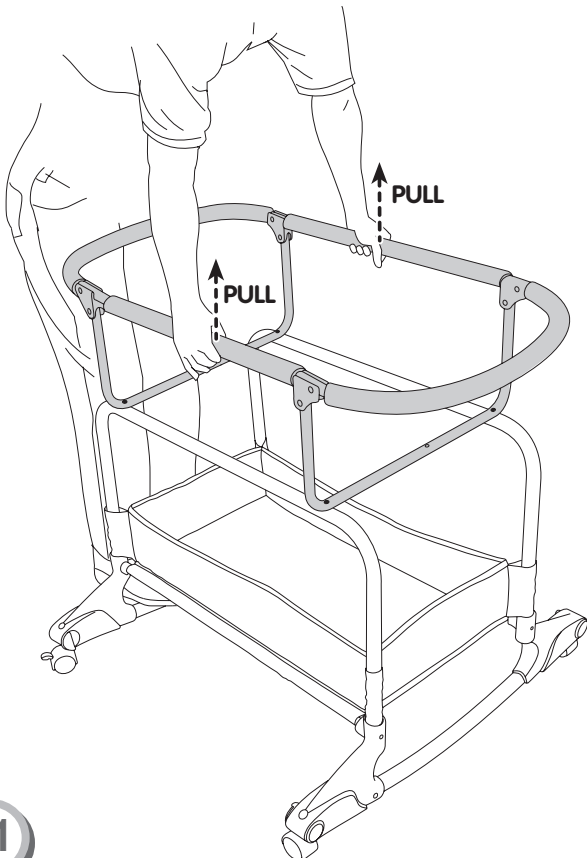
10

- While holding an M6 lock nut in place with the wrench, completely tighten a screw with the Phillips screwdriver.
- Repeat this procedure tighten the other three screws.



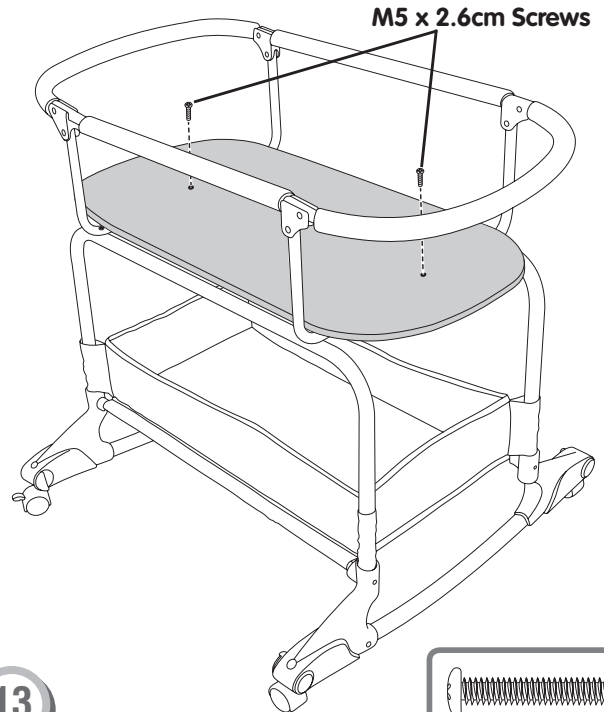
12

- Place the mattress support into the frame.
- Check to make sure male snap faces down.



11

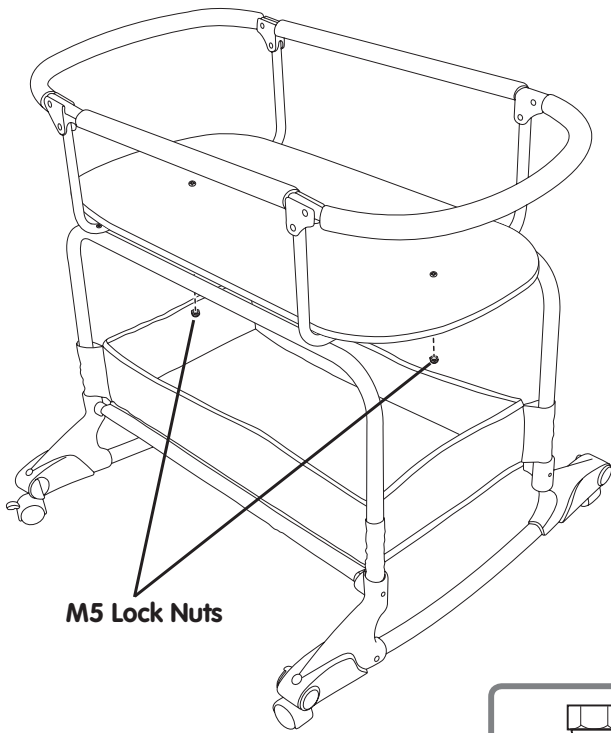
- Check to be sure the frame is secure. While gently holding a base down, pull up on the frame it should remain attached to the legs.



13

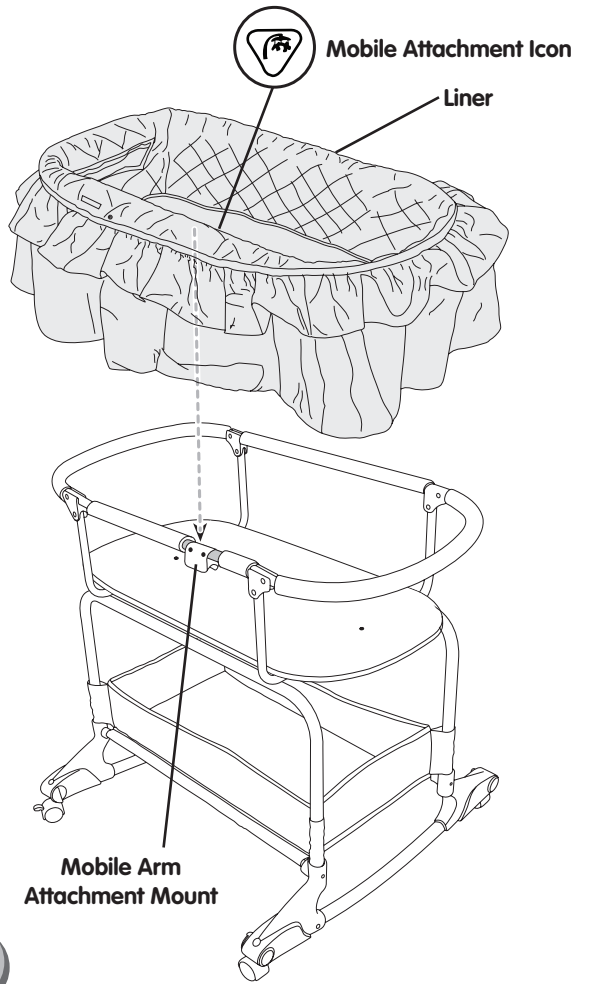
- Align the holes in the mattress support with the holes in the frame.
- Insert two M5 x 2.6cm screws through the mattress support and into the frame.

Bassinet Assembly



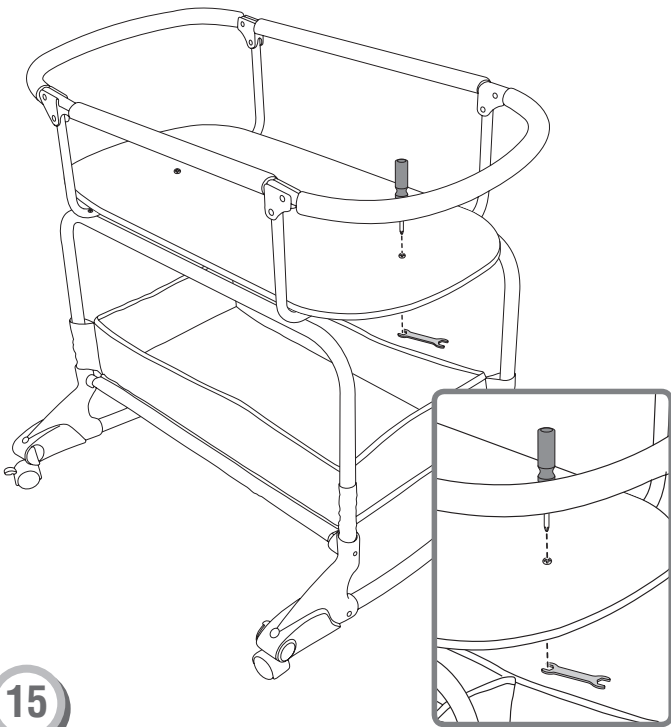
14

- Attached a M5 lock nut to the end of the screw. Make sure the rounded side of the lock nut faces down. Hand-tighten the lock nuts onto the screws.



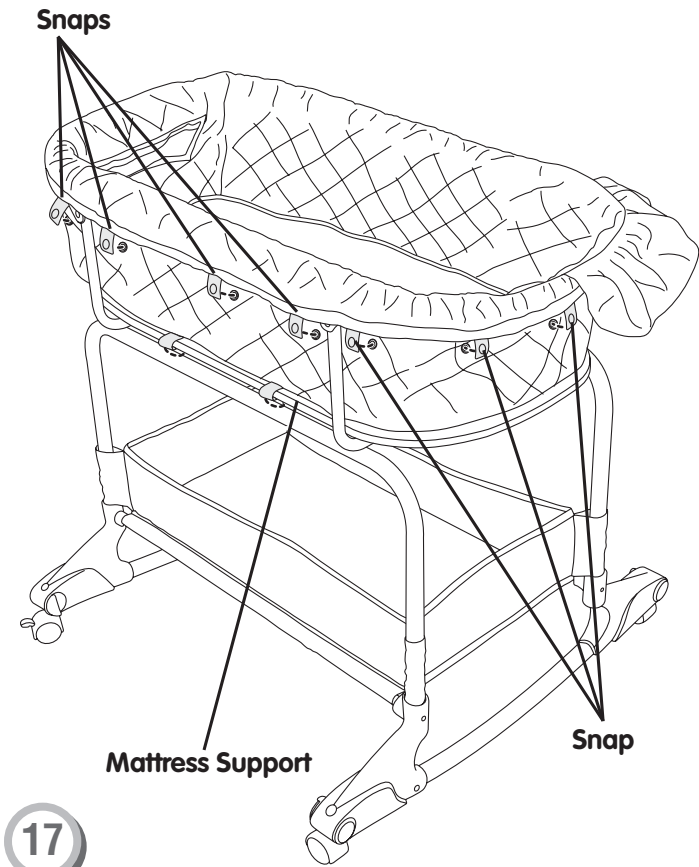
16

- Locate the mobile attachment mount at the top of the frame.
- Align the mobile attachment icon on the liner with the plastic mobile attachment mount on the frame.
- Place the liner onto frame. Make sure warning label is centered at the end of bassinet.



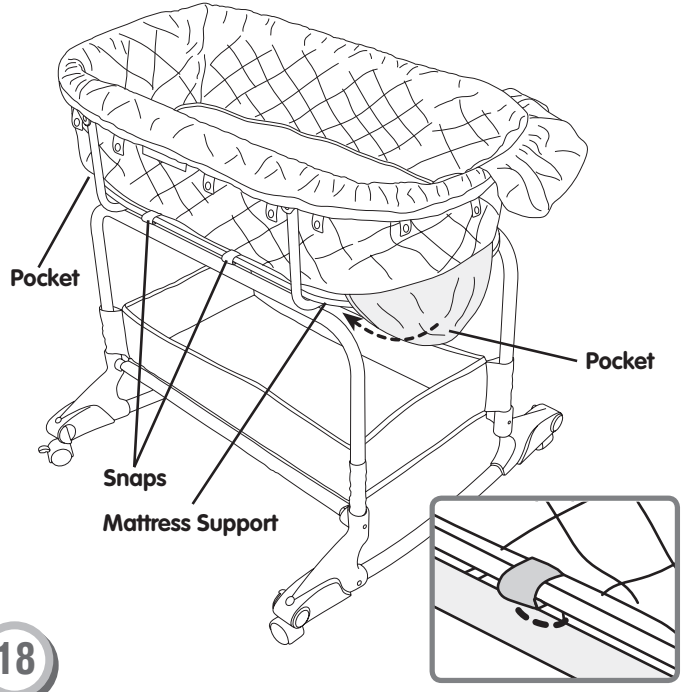
- While holding an M5 lock nut in place with a wrench, completely tighten screw with a Phillips screwdriver.
- Repeat this procedure to tighten the other screw.

Bassinet Assembly



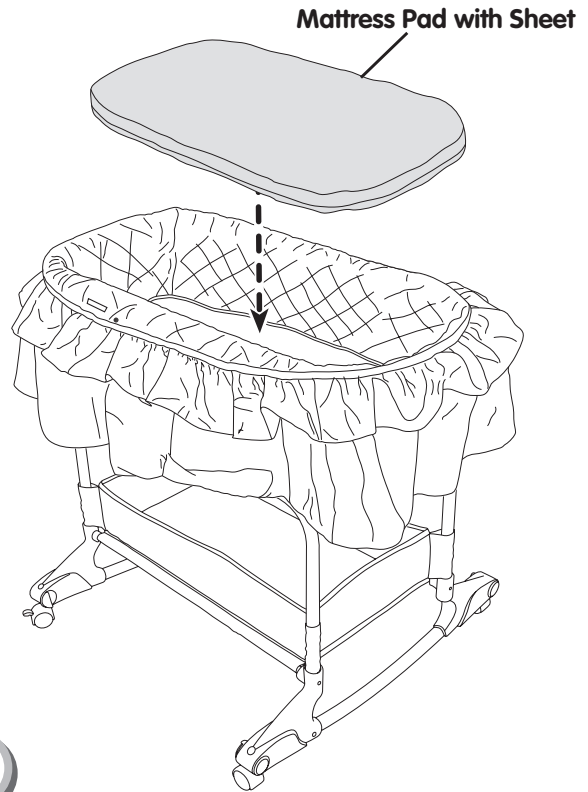
17

- Lift the skirt on the liner. Snap all 5 straps around the top of the side of the frame.
- Repeat this procedure to snap the other 5 straps around the top of the frame.



18

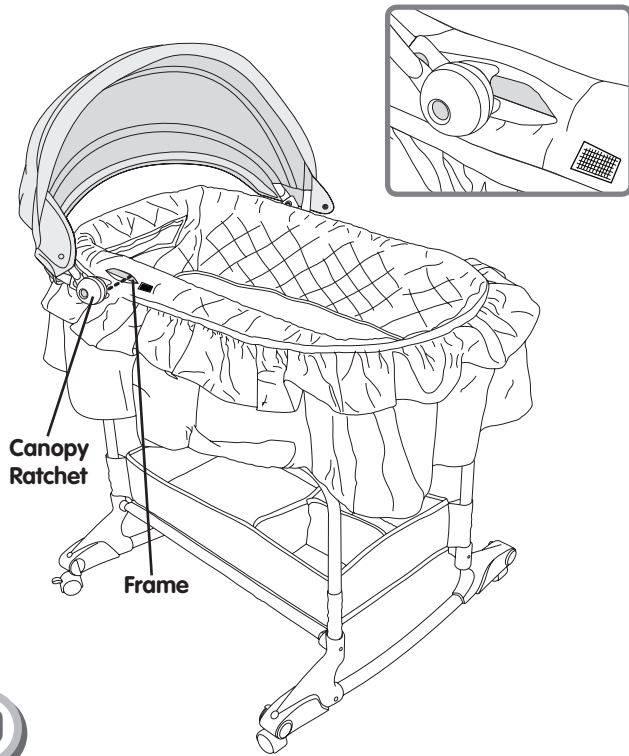
- Stretch the pockets on the bottom of the liner around the ends of the mattress support.
 - Snap both straps on the bottom of the liner to the bottom of the mattress support.
- Note:** Snaps do not go over metal tube.
- Repeat this procedure to snap the other two straps on the bottom of the liner to the mattress support.



19

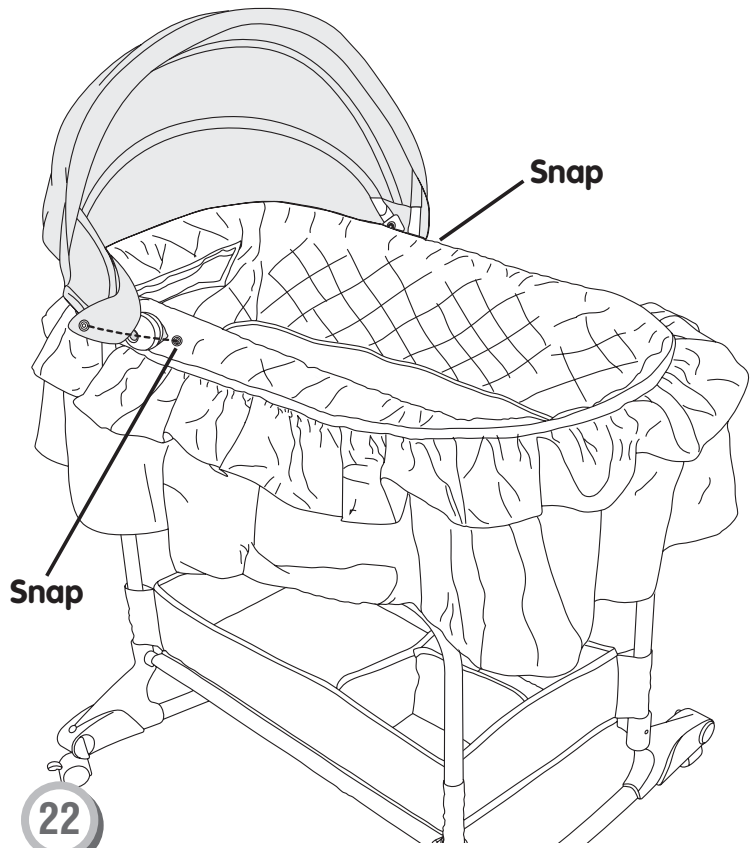
- Place the sheet over the mattress pad.
- Place the mattress pad with sheet into the liner.

Bassinet Assembly



20

- Position the canopy over the top end of the bassinet opposite the warning label.
- Open the hook and loop fasteners on the liner and push aside foam to expose metal.
- Push the canopy ratchet onto the frame on both sides of the bassinet.



22

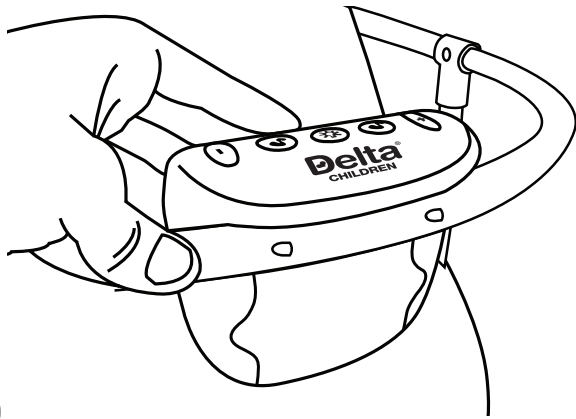
- Fasten the hook and loop patches on each canopy flap to the side of the liner.



21

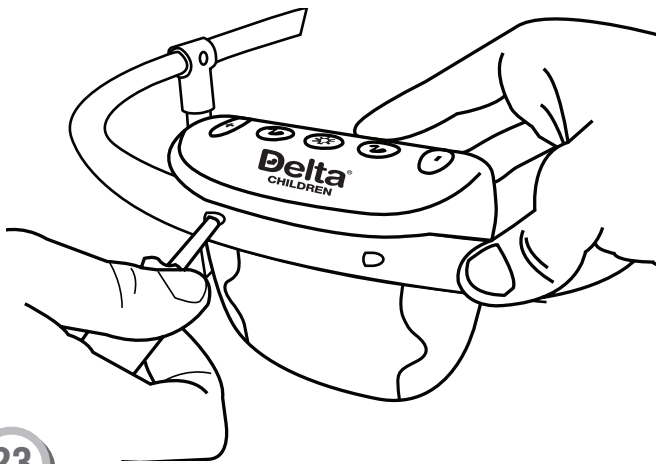
- Fasten the hook and loop fasteners on the back edge of the canopy to the liner.

Attaching Music Module



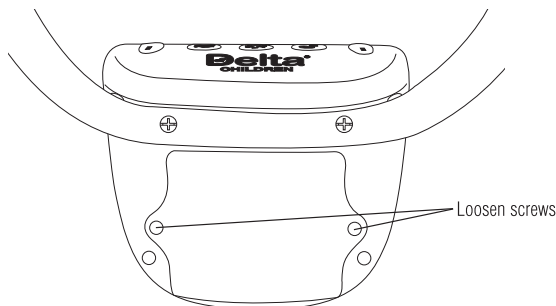
22

- To attach Music Module, remove the screws and line up music module to screw holes on front mattress support frame.



23

- Position Music Module onto mattress support frame and screw module to frame.

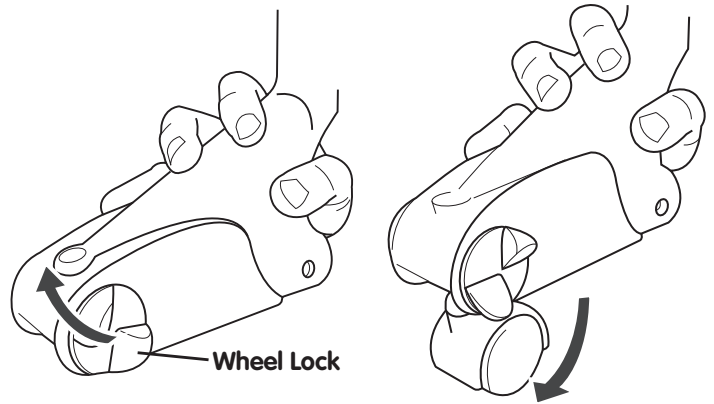


24

- Locate battery Compartment on the front of music module. Loosen screw in Battery Compartment with Phillips Head screwdriver.
- Lift to remove door. Insert four (4) "AA" alkaline batteries.
- Replace door and tighten screw.

HINT: We recommend using alkaline batteries for longer battery life.

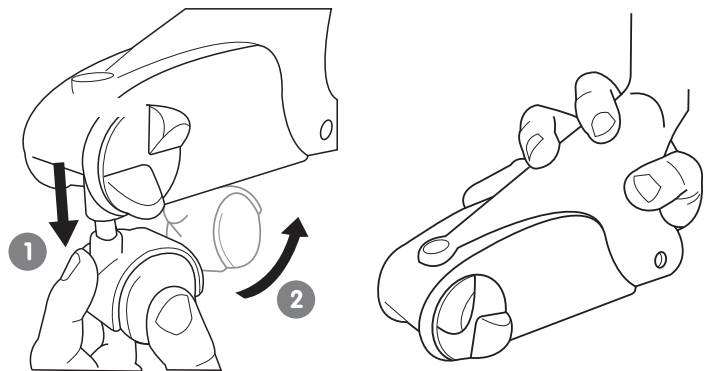
Retractable Wheels



1

To Lower Wheels

- Turn the wheel lock to lower the wheel. Make sure you hear a "click" as the wheel locks in place.
- Repeat this procedure to lower the other three wheels.



2

To Retract Wheels

Rocking Mode

- First, pull the wheel down 1. Then push it up into the base 2.
- Make sure lock tab is facing up as wheel is inserted into base.
- Repeat this procedure to retract the other three wheels.

Consumer Information



WARNING

Read all instructions BEFORE assembly and USE of product. KEEP INSTRUCTIONS FOR FUTURE USE.

- A mobile is intended for visual stimulation and is not intended to be grasped by the child.
- From birth to 5 months.
- Possible entanglement injury.
- Keep out of baby's reach.
- Remove mobile from bassinet or cradle when baby begins to push up on hands and knees.
Toys are not meant to be "mouthed" by the baby and should be positioned clearly out of reach of the baby's face and mouth.
- Adult assembly required.
- Always attach all provided fasteners (strings, straps, clamps, etc.) tightly to the bassinet according to the instructions. Check frequently.
- Do not add additional strings or straps to attach to the bassinet.
- The mobile is not intended for use in playpens or portable cribs.

CAUTION - Changes or modifications not expressly approved by the party responsible for compliance could void the user's authority to operate the equipment.

NOTE: This equipment has been tested and found to comply with the limits for a class B digital device pursuant to Part 15 of the FCC Rules. These limits are designed to provide reasonable protection against harmful interference in a residential installation. This equipment generates, uses and can radiate radio frequency energy and, if not installed and used in accordance with the instructions, may cause harmful interference to radio communications. However, there is no guarantee that interference will not occur in a particular installation. If this equipment does cause harmful interference to radio or television reception, which can be determined by tuning the equipment off and on, the user is encouraged to try to correct the interference by one or more of the following measures:

- Reorient or relocate the receiving antenna.
- Increase the separation between the equipment and receiver.
- Connect the equipment into an outlet on a circuit different from that to which the receiver is connected.
- Consult the dealer or experienced radio/TV technician for help.

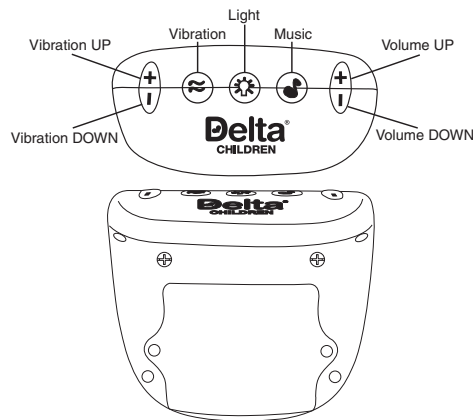
Battery Safety Information






In exceptional circumstances, batteries may leak fluids that can cause a chemical burn injury or ruin your product. To avoid battery leakage;

- Do not mix old and new batteries or batteries of different types: Alkaline, standard (carbon zinc) or rechargeable (nickel-cadmium).
- Insert batteries as indicated inside battery compartment.
- Remove batteries during long periods of non-use. Always remove exhausted batteries from the product. Dispose of batteries safely. Do not dispose of product in a fire. The batteries inside may explode or leak.
- Never short-circuit the battery terminals.
- Use only batteries of the same or equivalent type as recommended.
- Do not charge non-rechargeable batteries.
- Remove rechargeable batteries from the product before charging.
- If removable, rechargeable batteries are used, they are only to be charged under adult supervision.

Music Module Operation



- Activate bassinet light by pressing LIGHT button  on top of the music module.
- NOTE:** Light will stay on in 10-minute cycles, unless button is pressed before 10 minutes are up.
- Press MUSIC button () on top of the music module to activate MUSIC. Press button multiple times to cycle through three (3) music melodies.
 - Volume can be adjusted with UP/DOWN buttons on the top of the music module.
 - Press VIBRATION button () on top of the music module to activate VIBRATION. The intensity can be adjusted with UP/DOWN button on the top of the music module.
- NOTE:** Vibration will stay on in 10-minute cycles, unless button is pressed before 10 minutes are up.

Care

- **The frame, mattress pad, storage basket, music module may be wiped clean using a mild cleaning solution and a damp cloth. Do not use bleach.
Do not use harsh or abrasive cleaners. Rinse clean with water to remove residue. Do not immerse the frame.**
- **The sheet is machine washable. Wash it separately in cold water on the gentle cycle. Do not use bleach.
Tumble dry separately on low heat and remove promptly.**
- **Always store product in a clean and dry place.**



Delta Children

114 West 26th Street
New York, NY 10001
1-800-377-3777

www.DeltaChildren.com