

FIRST STEPS 3 IN 1 SIT TO STAND

DELTA♥CHILDREN

BOUNCER/WALKER/ACTIVITY CENTER

INSTRUCTION MANUAL

ADULT ASSEMBLY REQUIRED

32471
LF17423

STYLES AND COLORS MAY VARY

REQUIRED: 2 x AA Batteries
(not included)
Screwdriver
(not included)



▲ WARNING:
CHOKING HAZARD

Adult assembly required because of small parts. Keep assembly parts out of reach of children under 3 years.

Read all instructions BEFORE assembly and USE of product
KEEP INSTRUCTIONS FOR FUTURE USE.

Customer Experience Center
email: gcs@DeltaChildren.com

DELTA♥CHILDREN

www.DeltaChildren.com

DCP-IM-01072020

! WARNING !

WARNING: Read all instructions before assembly and use of the bouncer/walker/activity (keep the instructions for future reference), incorrect assembly may make the walker/activity center unsafe. Failure to follow these warnings and the instructions could result in serious injury or death.

! WARNING !

FALL HAZARD:

- **NEVER** leave child unattended.
- **ALWAYS** keep child in view while in walker/activity center.
- **NEVER** use near stairs or thresholds.
- Babies can **FALL** from product resulting in head injuries.

STRANGULATION HAZARD:

- Strings can cause strangulation! **DO NOT** place items with a string around child's neck, such as hood strings or pacifier cords.
- **DO NOT** suspend strings over product or attach strings to toys.
- To avoid burn injuries, always keep child away from ranges, radiators, hot liquids, space heaters, fireplaces, etc.

- To avoid drowning, never use near pools, bathtubs, etc.
- Do not use walker if it is damaged or broken.
- Do not use stationary activity center if it is damaged or broken.
- Clean anti-slip blocks regularly to maintain stopping performance.
- **ALWAYS** check that surfaces are flat and free of objects that may cause tipping over either indoors or outdoors.
- To reduce chance of child slipping out of seat, always check that both feet of child touch floor.
- Use **ONLY** for children who can sit upright **unassisted** and weigh no more than 25 lbs.
- **NEVER** spin baby in seat, only permit baby to rotate seat.
- **AVOID SERIOUS INJURY: NEVER** carry product or adjust height with child in it.



Consumer Information



WARNING

WARNING: Read all instructions before assembly and use of the walker/stationary activity center (keep the instructions for future reference), incorrect assembly may make the walker/stationary activity center unsafe. Failure to follow these warnings and the instructions could result in serious injury or death.

⚠ WARNING ⚠

- Adult Assembly is required.
- DO NOT use walker/stationary activity center if it is damaged or broken.
- DO NOT use walker/stationary activity center until baby can sit up by itself.
- Before each use clean friction components to maintain stopping performance.
- Use only on flat surfaces free of objects that could cause the walker/stationary activity center to tip over.
- This walker/stationary activity center is intended for use by children who can sit up unassisted and are learning to walk.
- This walker/stationary activity center is intended for children weighing up to 25 lbs (11.8 kg) and those that are not over 30 inches in height.
- Discontinue using this walker/stationary activity center when your child can stand unaided or walk unassisted.
- Prevent collisions with glass in rooms, windows and furniture.
- Always lock the seat in walker/stationary activity center function.
- To avoid serious injury never carry walker/stationary activity center with child in seat.
- Make sure all locking devices are fully engaged before each use.
- Never allow older child to play with walker/ stationary activity center or push walker at any time when another child is in the walker/stationary activity center seat.
- DO NOT add any additional toys to the walker/stationary activity center activity tray, use only toys intended to be used with walker/stationary activity center.
- DO NOT alter the walker/stationary activity center by cutting toys away.
- DO NOT add strings or other objects to walker/stationary activity center as the child may become entangled in them.

NOTE – Individual toys are not replaceable.

USE CARE AND MAINTENANCE

Wash using mild soap and warm water only. Wipe plastic components dry and air dry seat cover.



Before returning this product to the store! Let's see if we can assist you!

- **Not sure how to assemble our product?**

Visit our site for easy to follow instructions along with some Tricks and Tips assembly videos <https://www.deltachildren.com/pages/instructions>

- **If you are missing a piece or have a damaged part**

Please contact our Consumer Experience Center for assistance at gcs@DeltaChildren.com. To better assist you please have your Style# or Model# and Lot# available. This can be found on a white rectangular sticker on your product, on the registration card, and on the product's box.

- **In the event we do not have a replacement part available**

You may need to return your product to the retailer for an exchange or refund.

- **Warranty**

In order to protect your investment, don't forget to register your product. You may also wish to consider purchasing our extended warranty.

Visit <https://www.deltachildren.com/pages/extended-warranty> for more details.

- **Please note:**

"All Final", "As Is" or Third Party/Liquidator sales are not covered under our Limited Manufacturer Warranty.

DELTA CHILDREN

LIMITED MANUFACTURER WARRANTY

This Delta product is warranted to be free from defects for a period of 90 days from the date of purchase under normal use. If a product is defective during this period, we will at our option repair or replace the defective part or product. This limited warranty extends only to the original retail purchaser and is valid only when supplied with proof of purchase, or if received as a gift, when the registration is on file with Delta.

This limited warranty does not cover the following:

- Products purchased as floor models or samples.
- Items purchased on an “as-is” basis, as a second hand product, or as a resale product.
- Items purchased at a Final sale, a “Going out of Business” sale, or a Liquidation sale. This limited warranty gives you specific legal rights and you may also have other rights which vary from state to state.

This limited warranty gives you specific legal rights and you may also have other rights which vary from state to state.

TO REGISTER YOUR PRODUCT for important safety alerts and updates to your product please visit www.deltachildren.com

TO REPORT A PROBLEM, please log on to www.deltachildren.com and click the Consumer Care Tab, or contact us by email at gcs@DeltaChildren.com

Date of Purchase: _____ (you should also keep your receipt)

EXTENDED WARRANTY

DON'T MISS YOUR CHANCE TO BE COVERED FOR ALL OF LIFE'S MISHAPS!

With Delta's Extended Warranty, you're covered for mechanical failure from normal use or if your item stops working due to normal wear and tear, plus all those unexpected surprises.

2 YEARS OF PROTECTION

For Additional Information:

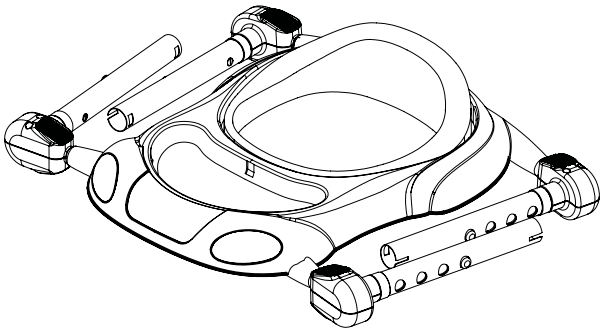
Simply visit our Website, register your product, and add the Extended Warranty

<https://www.deltachildren.com/pages/product-registration>

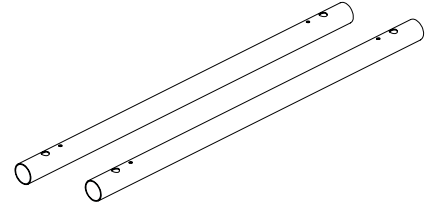
Extended Warranty only available in the following States: Arkansas, Colorado, Delaware, District of Columbia, Georgia, Idaho, Illinois, Indiana, Iowa, Kansas, Kentucky, Louisiana, Maryland, Michigan, Mississippi, Missouri, Nebraska, Nevada, New Hampshire, New York, North Carolina, North Dakota, Pennsylvania, Rhode Island, South Dakota, Tennessee, Utah, West Virginia

PARTS

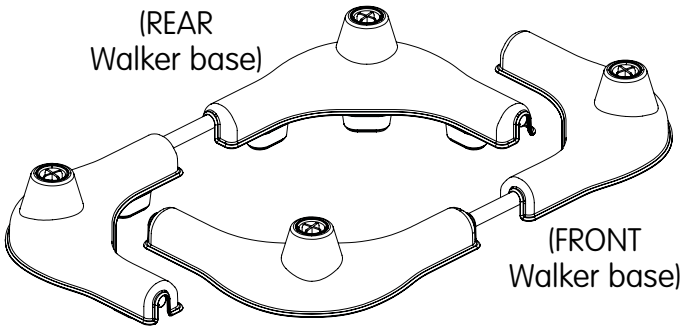
IMPORTANT! Please remove all parts from the package and identify them before assembly.



Walker Top



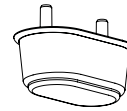
Side Cross Tubes (x2)



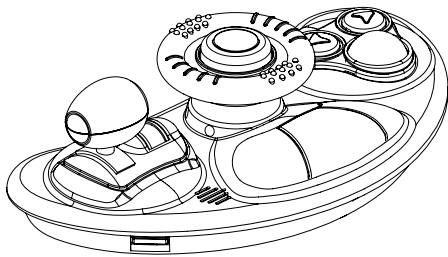
(REAR
Walker base)

(FRONT
Walker base)

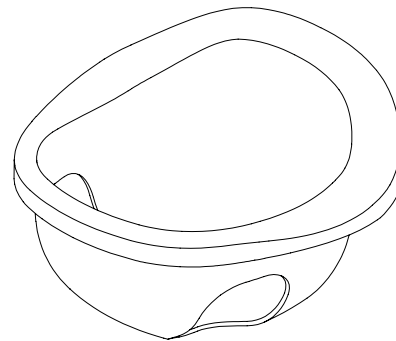
Front & Rear Walker Base



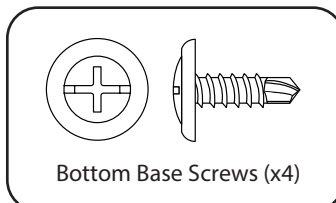
**Anti Slip Blocks
(x12, Pre-Assembled to Base)**



Toy Tray

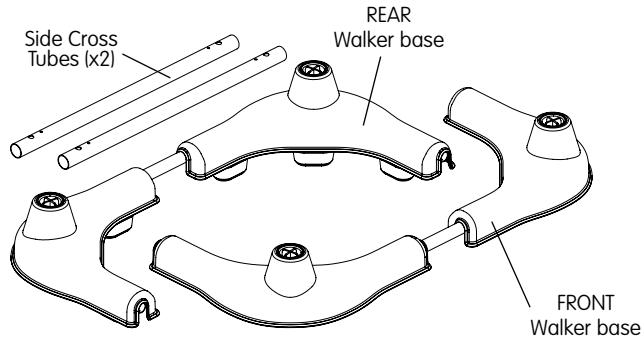


Seat



Bottom Base Screws (x4)

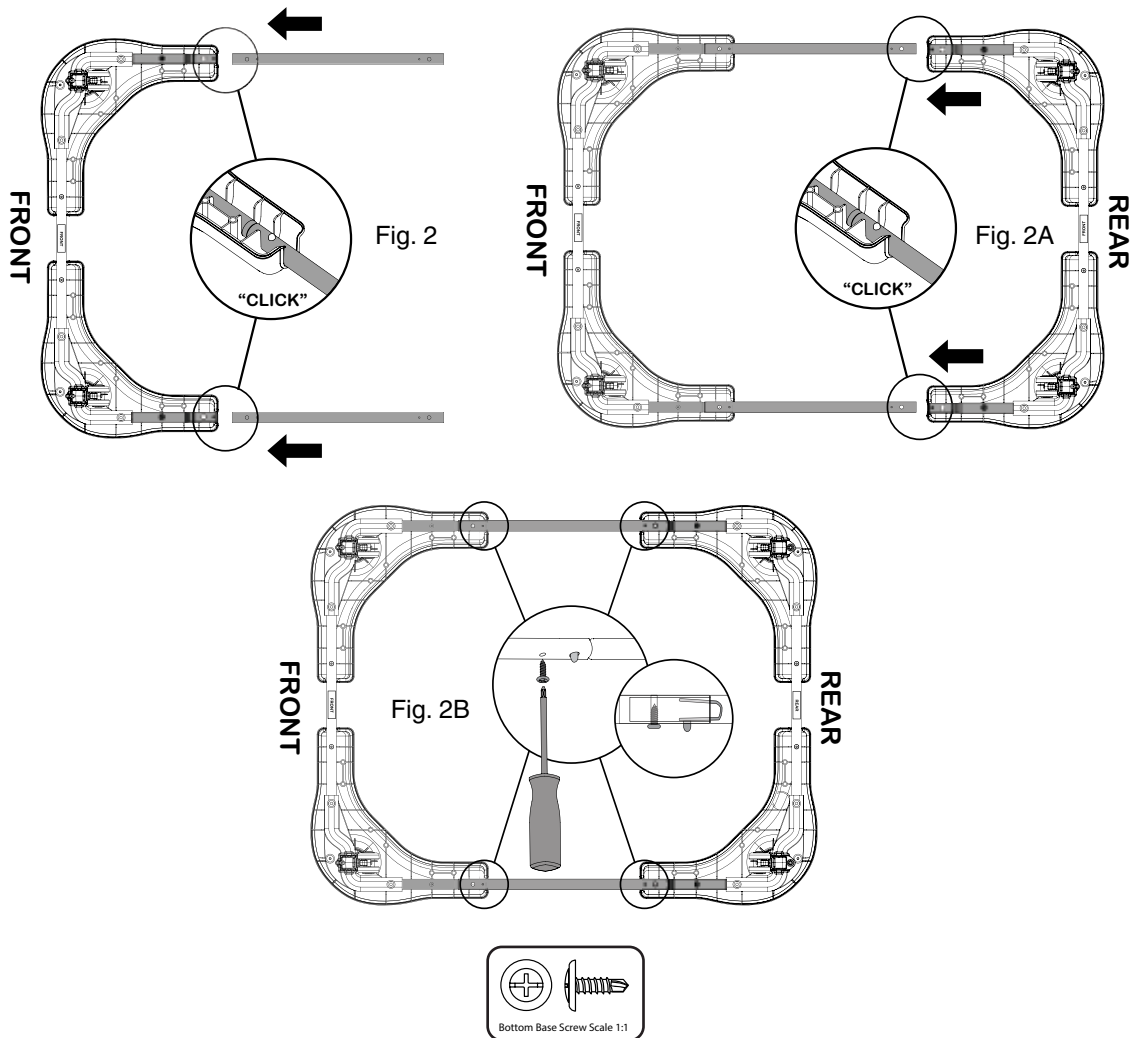
WALKER BOTTOM BASE ASSEMBLY



1

LOCATING PARTS FOR ASSEMBLY

- Locate side cross tubes (x2) and front/rear walker base.

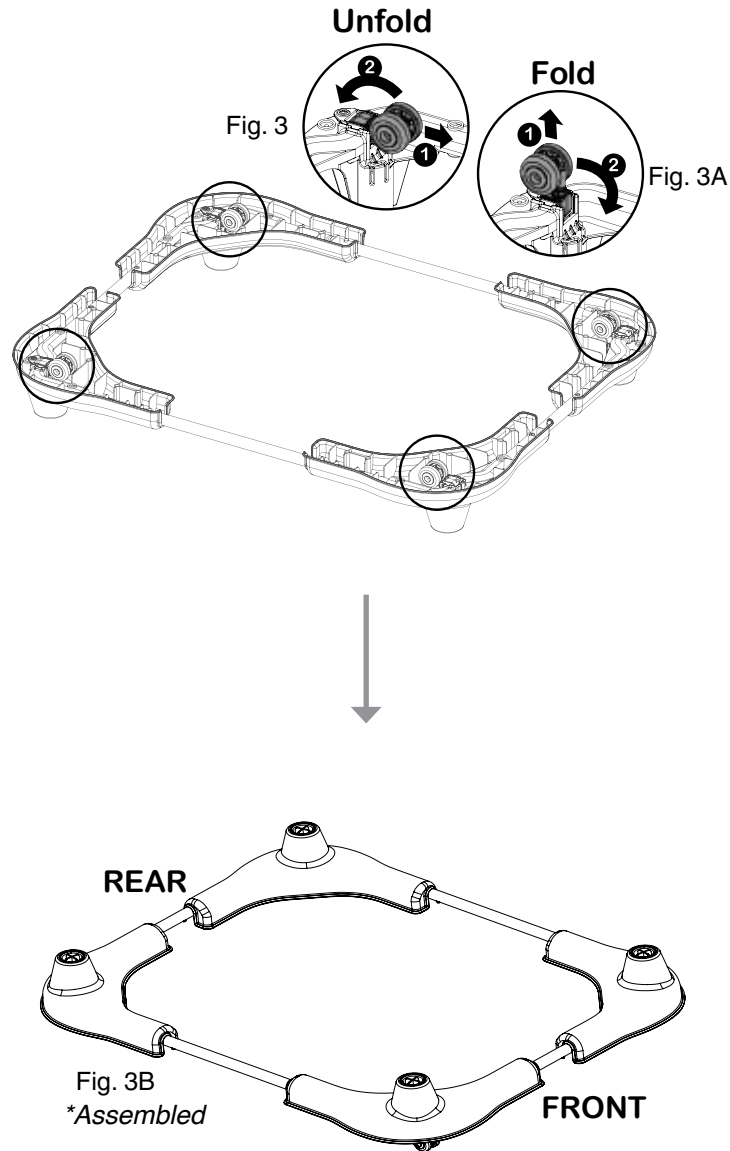


2

ATTACHING FRONT & REAR WALKER BASE

- Place the walker on a solid flat surface with the bottom facing upwards and arrange as shown.
- Locate two side cross tubes and assemble to front walker base until you hear release pins "CLICK" into place. (Fig. 2)
- Locate the rear walker base and assemble to the cross tubes until you hear release pins "CLICK" into place. (Fig. 2A)
- After joining, secure in place with (x4) bottom base screws (Fig. 2B).

WALKER BOTTOM BASE ASSEMBLY

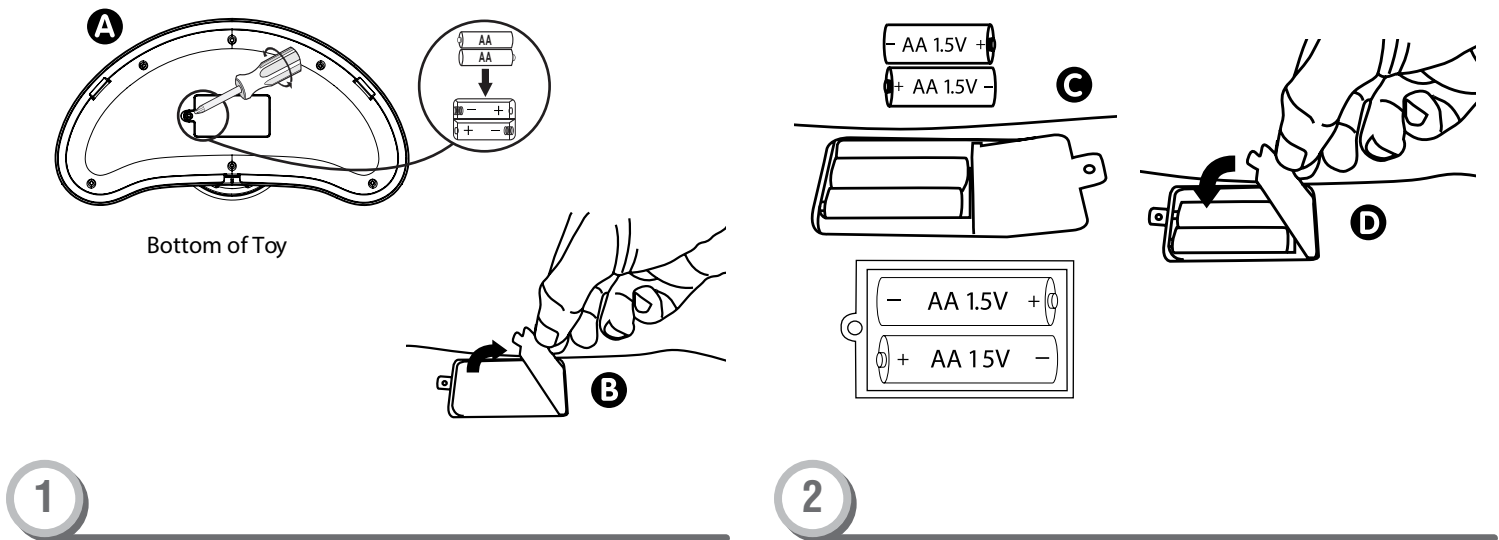


3

FOLDING & UNFOLDING WALKER WHEELS

- **To unfold walker wheels:** Pull wheels away from housing in direction of arrow, then fold up and secure by pushing in (Fig. 3).
- **To fold walker wheels:** Pull wheels up out of housing in direction of arrow, then fold down and secure by pushing in (Fig. 3A).
- **To finish bottom base assembly:** Turn walker base right-side up (Fig. 3B).

INSERTING BATTERIES



1 OPENING BATTERY

- Locate the Toy Tray
- Locate the toy tray lock tab on the bottom of the toy tray.
- **A** Use a Phillips head screw driver to **B** unfasten the battery cover

2 INSERTING BATTERIES

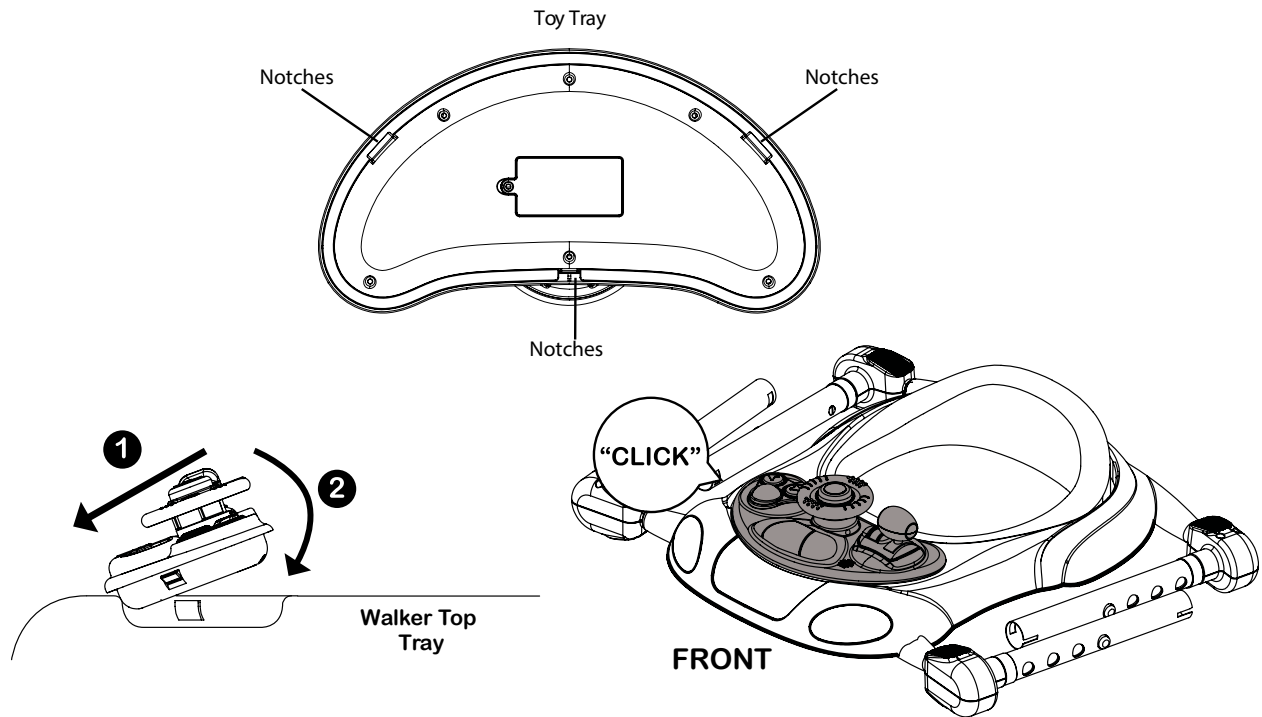
- **C** Insert the AA batteries (x2) as shown in the picture.
- **D** Close the battery cover. Use a phillips head screw driver to fasten the battery cover closed

Battery Safety Information

In exceptional circumstances, batteries may leak fluids that can cause a chemical burn injury or ruin your product. To avoid battery leakage:

- Do not mix old and new batteries or batteries of different types: Alkaline, standard (carbon zinc) or rechargeable (nickel-cadmium).
- Insert batteries as indicated inside battery compartment.
- Remove batteries during long periods of non-use. Always remove exhausted batteries from the product. Dispose of batteries safely. Do not dispose of product in a fire. The batteries inside may explode or leak.
- Never short-circuit the battery terminals.
- Use only batteries of the same or equivalent type as recommended.
- Do not charge non-rechargeable batteries.
- Remove rechargeable batteries from the product before charging.
- If removable, rechargeable batteries are used, they are only to be charged under adult supervision.
- When discarding batteries, be sure to dispose of them in the proper manner, according to your state and local regulations.

WALKER ASSEMBLY



1

ATTACHING TOY TRAY

- **To install toy tray:** Place the toy tray into the recess on the top tray, front side first **1** then push back down **2** until you hear a "CLICK" when notches are engaged

- Pull upward on the toy tray to ensure it is in a fully locked position.
- **To release toy tray:** Press notches in from underneath the tray.

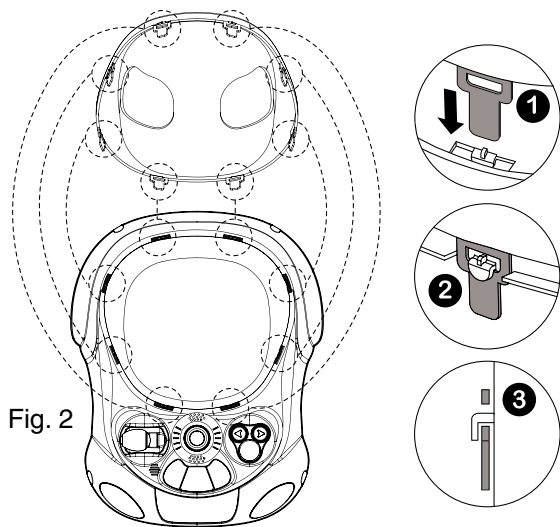
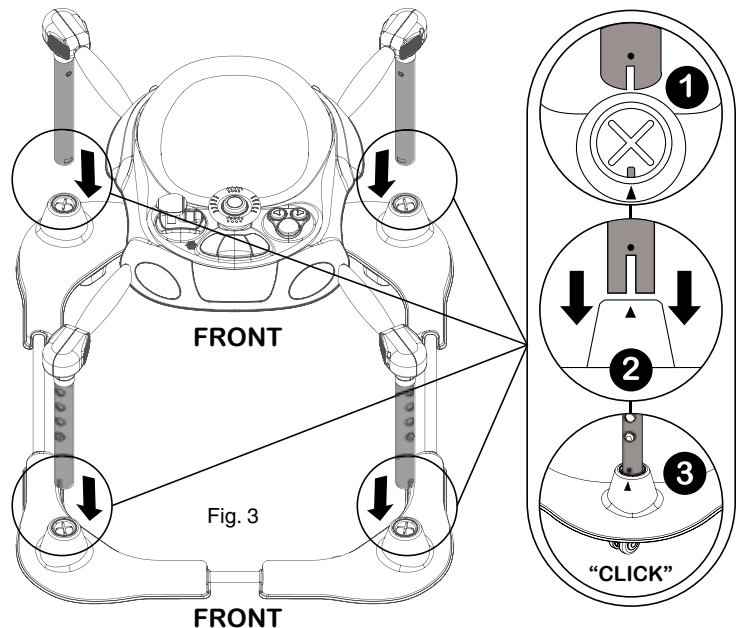


Fig. 2A



2

INSERTING WALKER SEAT

- Align walker seat with walker top as shown (Fig. 2)
- Attach each of the 8 clips by placing over hooks as shown (Fig. 2A).

3

INSERTING WALKER TOP

- Arrange walker top and bottom as shown (Fig. 3)
- Align each walker leg so that the dot and arrow are lined up together.
- Once aligned, insert each leg into walker base until they "CLICK" into place.

CHANGING MODES

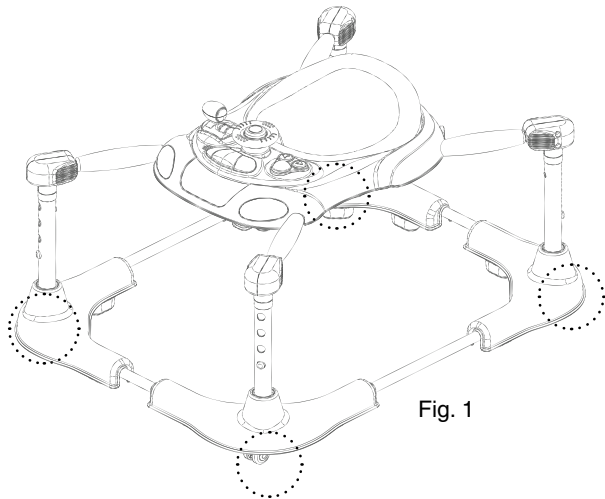


Fig. 1

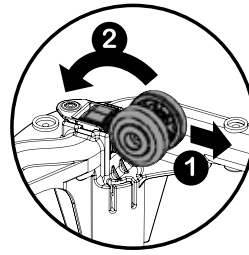


Fig. 2

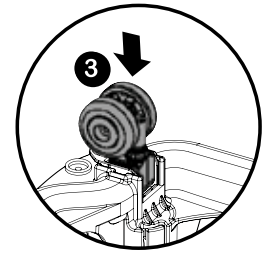


Fig. 2A

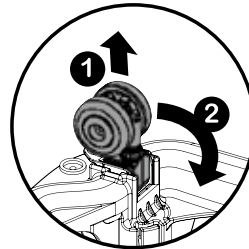


Fig. 3

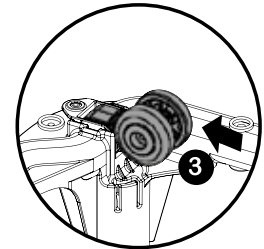


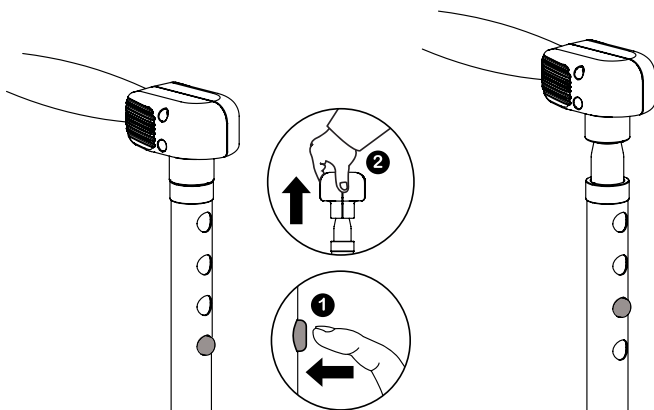
Fig. 3A

1

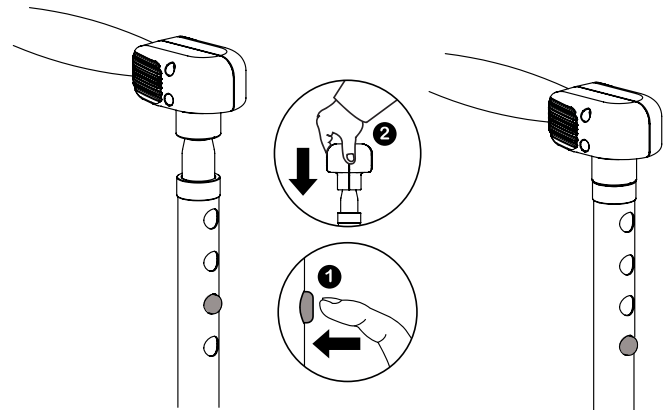
CHANGING MODES

- Locate walker wheels (Fig. 1).
- **To convert to walker mode:** Pull wheels away from housing in direction of arrow, then fold up (Fig. 2),
- Secure by pushing into socket as shown (Fig. 2A).
- **To convert to bouncer / activity center:** Pull wheels up out of housing in direction of arrow, then fold down (Fig. 3).
- Secure by pushing into socket as shown (Fig. 3A).

ADJUSTING WALKER HEIGHT



INCREASE HEIGHT



DECREASE HEIGHT

1

ADJUSTING WALKER HEIGHT

- **To increase walker height:** Press in height adjustment button ①
- While button is pressed, adjust height by pulling up on the top of the leg housing ②
- Repeat on all 4 walker legs until set at the same height.
- **To decrease walker height:** Press in height adjustment button ①
- While button is pressed, decrease height by pushing down on the top of the leg housing ②
- Repeat on all 4 walker legs until set at the same height.

DELTA♥CHILDREN

Delta Children's Products Corp.
114 West 26th Street
New York, NY 10001
gcs@DeltaChildren.com
www.DeltaChildren.com