

NEWBORN SOOTHING SLEEPER BASSINET



INSTRUCTION MANUAL

27504

STYLES AND COLORS MAY VARY

**▲ WARNING:
CHOKING HAZARD**

Adult assembly required because of small parts. Keep assembly parts out of reach of children under 3 years.



Read all instructions BEFORE assembly and USE of product. KEEP INSTRUCTIONS FOR FUTURE USE.

Required Tools: 4 "AA" Batteries (Not included), Screwdriver (Not included)

WARNING

WARNING: Do not use this bassinet if you cannot exactly follow the accompanying instructions. Failure to follow these warnings and instructions could result in serious injury or death.

- **Read all instructions before assembling unit.**

KEEP INSTRUCTIONS FOR FUTURE USE.

DO NOT USE THIS UNIT IF THE INSTRUCTIONS CANNOT BE STRICTLY FOLLOWED.

- Before each usage or assembly, inspect unit for damaged hardware, loose joints, missing parts or sharp edges. NEVER use this product if there are any loose or missing fasteners, loose joints, broken parts, or torn mesh/fabric. DO NOT substitute parts. Check before assembly and periodically during use. Contact Delta Children's Products Customer Service Department at (646) 435-8726 for replacement parts, repair or instructions.

SUFFOCATION HAZARD **Infants have suffocated:**

- In gaps between an extra padding, a mattress (too small or too thick) and product sides.
- On soft bedding.
- Use only the pad provided by the manufacturer that is no thicker than 25 mm (1 in) and is of such a size that, when pushed against any side of the product, it does not leave a gap of more than 25 mm (1 in) between the mattress and sides.
- **NEVER** add a pillow, comforter or another mattress for padding.

FALL HAZARD: To help prevent falls, **DO NOT** use this product when the infant begins to push up on hands and knees or has reached 15 lb (6.8 kg) (approximately 3 months of age), whichever comes first.

STRANGULATION HAZARD:

- Strings can cause strangulation! **DO NOT** place items with a string around a child's neck, such as hood strings or pacifier cords. **DO NOT** suspend strings over a product.
- To reduce the risk of SIDS, pediatricians recommend healthy infants be placed on their backs to sleep, unless otherwise advised by your physician.
- Remove any tools or excess parts including plastic packaging from the bassinet vicinity after assembly.
- Use bassinet with only one child at a time.
- **DO NOT** place medication, small toys, small items, cords, straps or similar items that could become wound around the child's neck in or near this product and do not place product near a window, patio door, heater, or power outlet.
- **DO NOT** place bassinet near a window where cords from blinds or drapes may strangle a child. Child may fall out of window.
- If a sheet is used with the pad use only the one provided by Delta Children or one made specifically for the dimensions of the bassinet mattress.



Please DO NOT return this product to the store.

If you experience any difficulty with assembly, missing parts or use, please DO NOT return this item to the store. Retail stores are unable to properly assist you. Contact our Customer Service Department directly for assistance
(646) 435-8726

www.DeltaChildren.com • gcs@DeltaChildren.com
©2019 Delta Children's Products, Inc. New York, NY 10001



EXTENDED WARRANTY

DON'T MISS YOUR CHANCE TO BE COVERED FOR ALL OF LIFE'S MISHAPS!

With Delta's Extended Warranty, you're covered for mechanical failure from normal use or if your item stops working due to normal wear and tear, plus all those unexpected surprises.

2 YEARS OF PROTECTION

For Additional Information:

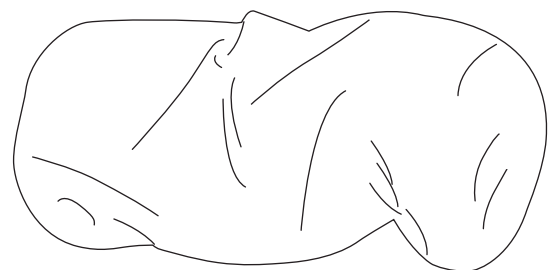
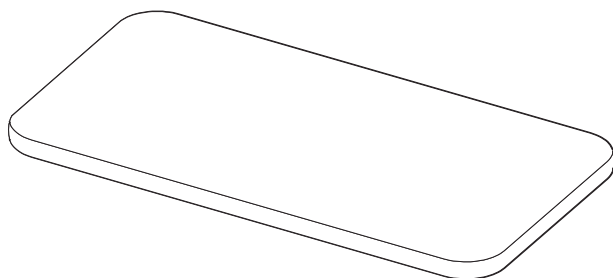
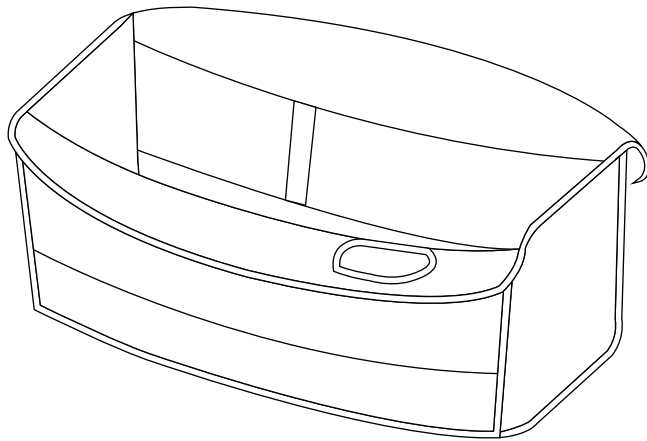
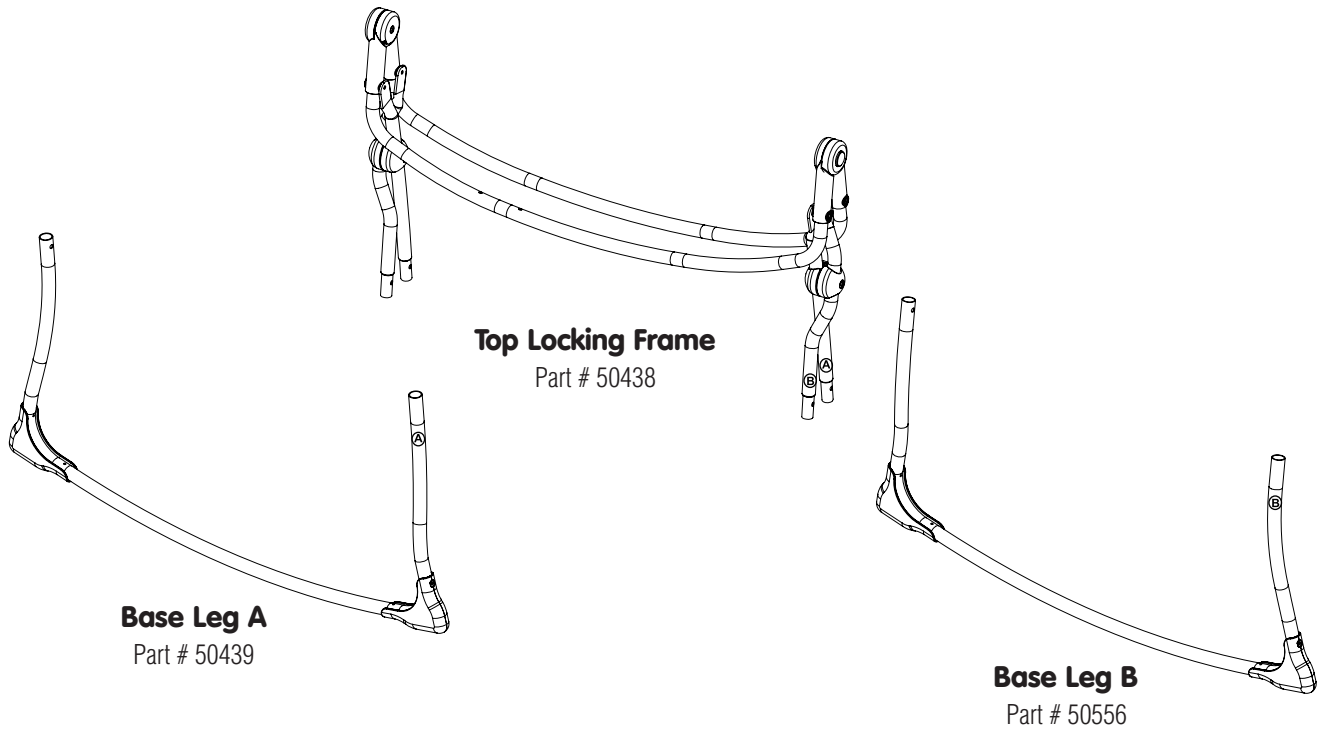
Simply visit our Website, register your product, and add the Extended Warranty

<https://www.deltachildren.com/pages/product-registration>

Extended Warranty only available in the following States: Arkansas, Colorado, Delaware, District of Columbia, Georgia, Idaho, Illinois, Indiana, Iowa, Kansas, Kentucky, Louisiana, Maryland, Michigan, Mississippi, Missouri, Nebraska, Nevada, New Hampshire, New York, North Carolina, North Dakota, Pennsylvania, Rhode Island, South Dakota, Tennessee, Utah, West Virginia

PARTS

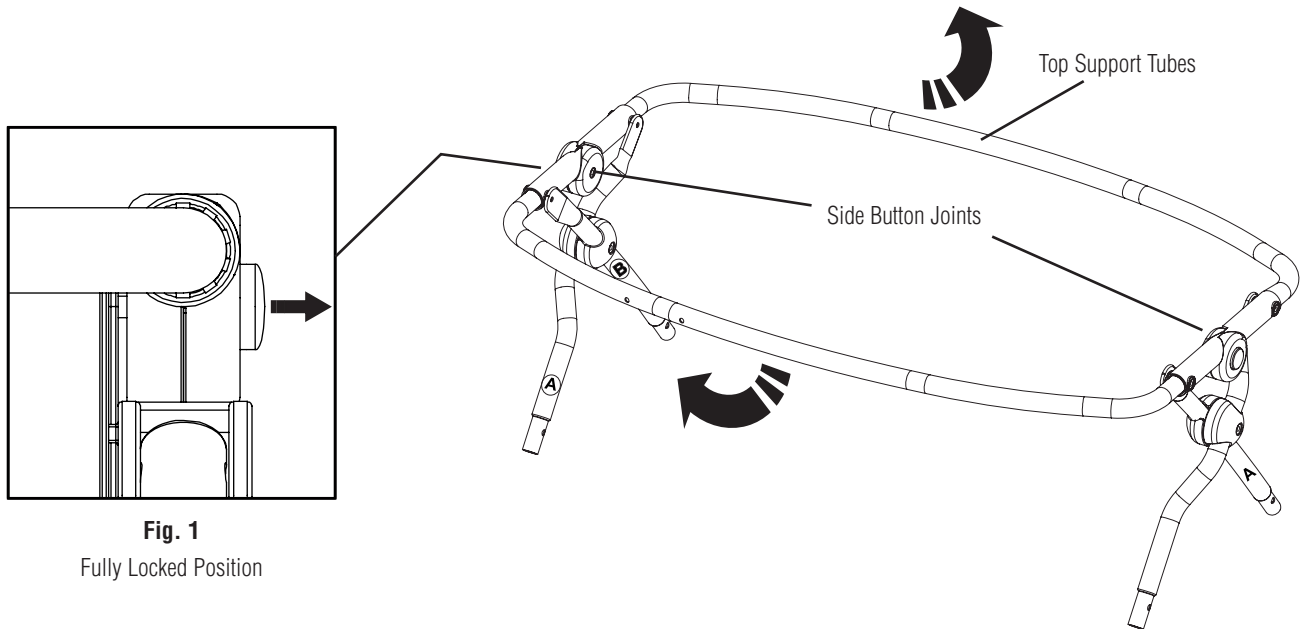
IMPORTANT! Please remove all parts from the package and identify them before assembly.



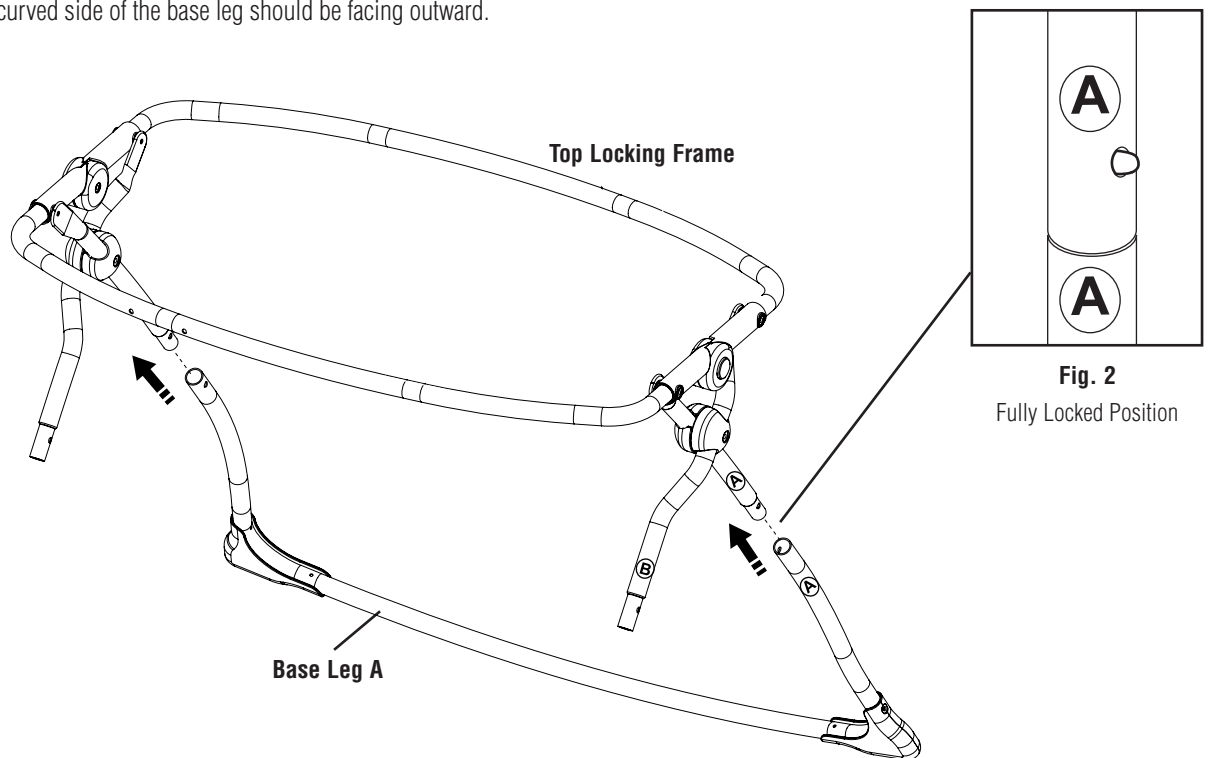
1

ATTACHING TOP LOCKING FRAME TO BASE LEGS

- 1 Open the **top locking frame** by holding the top support tubes until the side joint buttons "click out" in a fully locked position (Fig. 1).



- 2 Insert the end of **base leg A** by lining up the **A** to the **A** of the **top locking frame**, until it "clicks" into a fully locked position as shown (Fig 2). The curved side of the base leg should be facing outward.



3 Insert the end of **base leg B** by lining up the **B** to the **B** of the **top locking frame**, until it “clicks” into a fully locked position as shown (Fig. 3). Final base leg assembly should look like (Fig. 4).

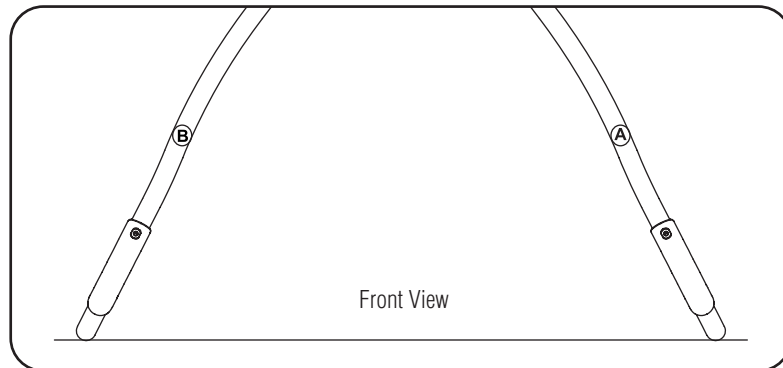
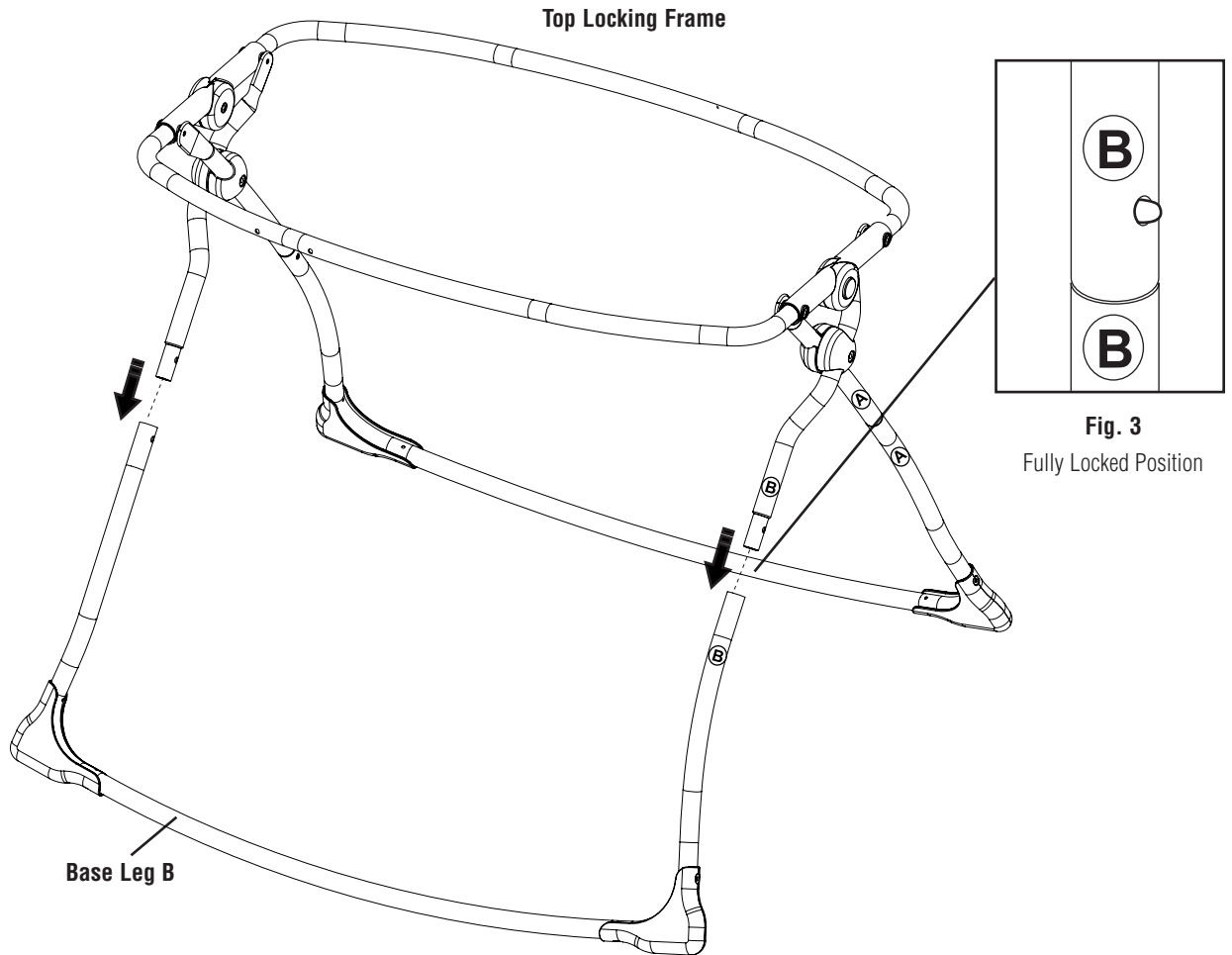
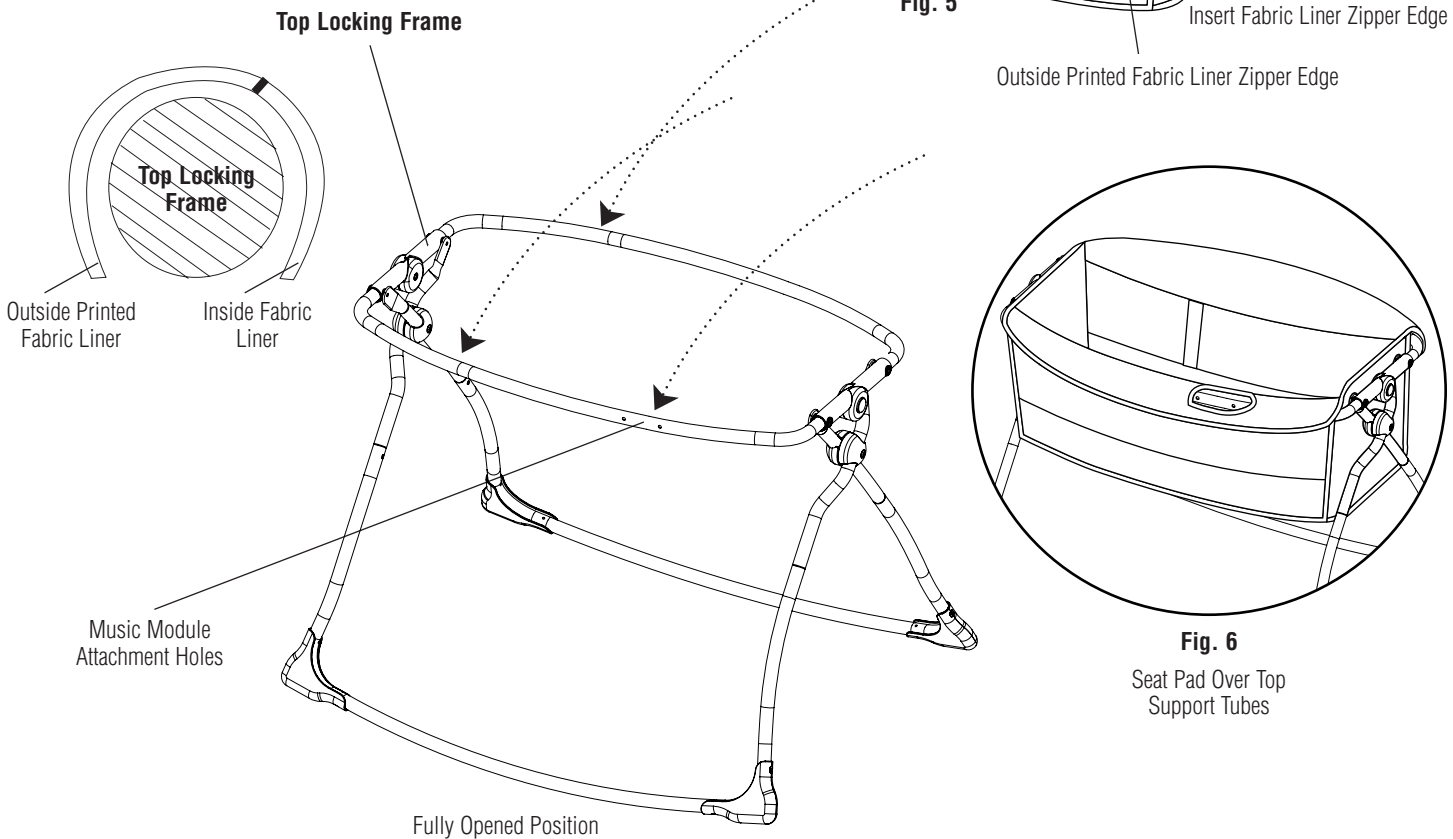
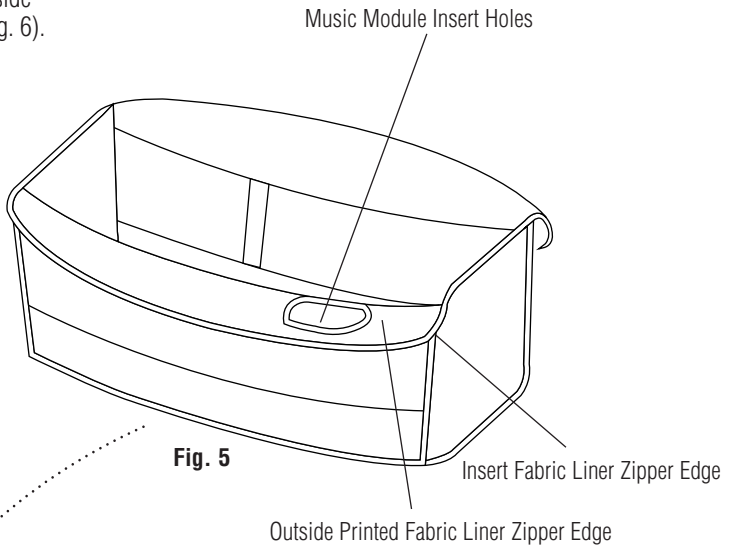


Fig. 4
Final Assembly Position

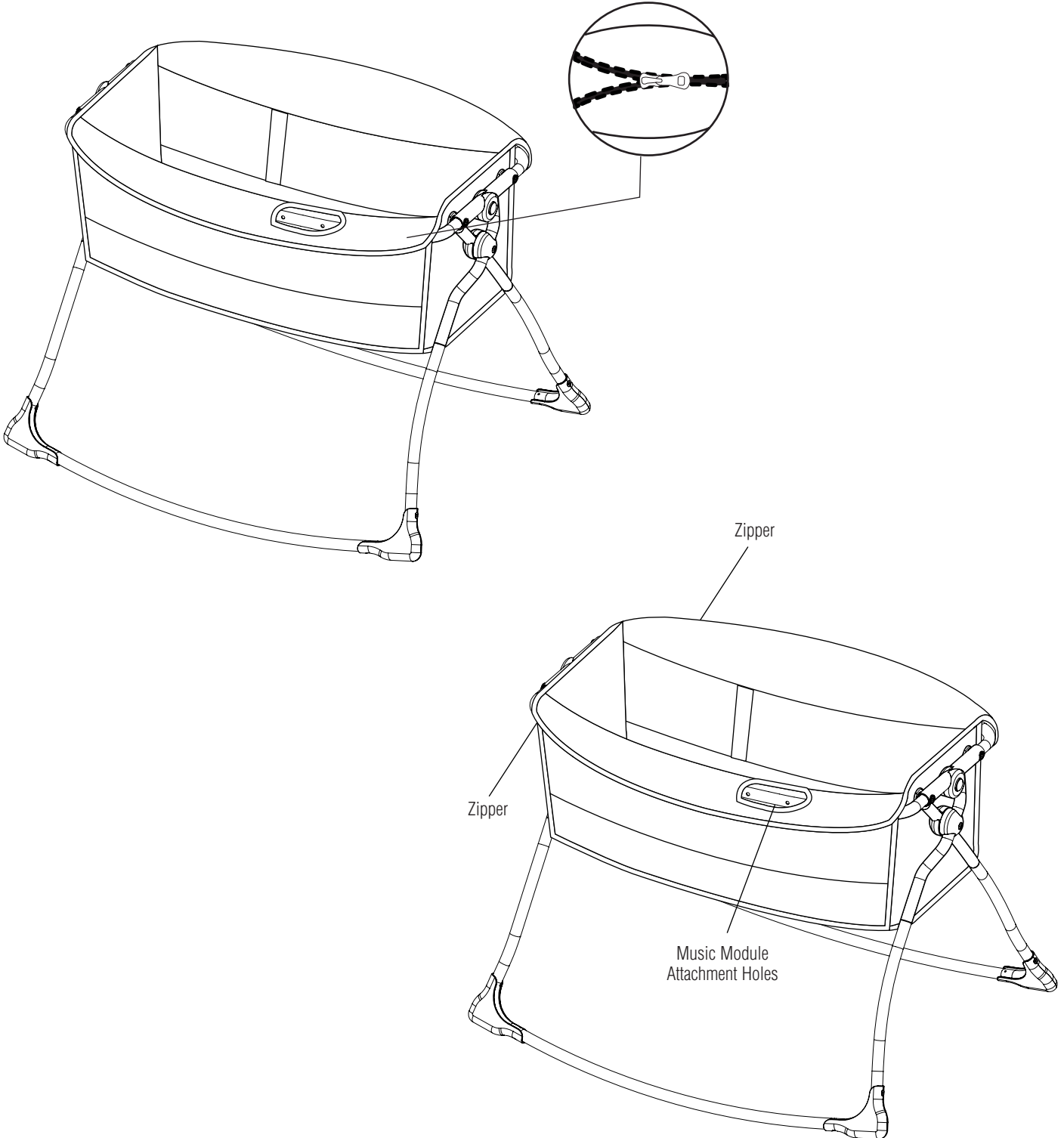
2 ATTACHING FABRIC LINER

- 1 Position **fabric liner** so that the music module insert holes align with the music module attachment holes (Fig. 5).
- 2 Place the **fabric liner** over the **top locking frame** making sure the inside fabric liner zipper edge is draped on the inside of the frame and the outside printed fabric liner zipper edge is draped on the outside of the frame (Fig. 6).

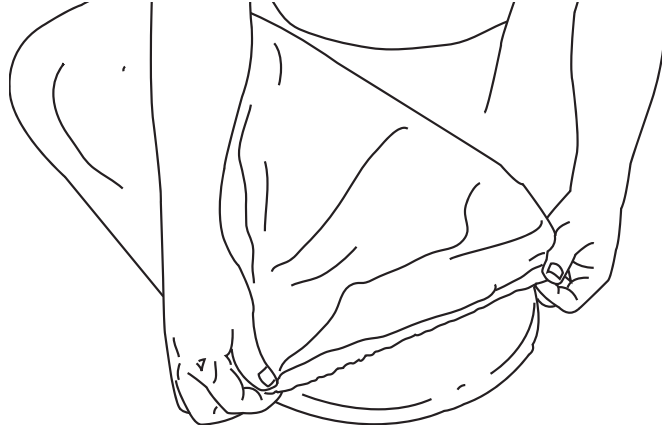


- 3** Pull and align the inside fabric liner zipper edge to the outside printed fabric liner zipper edge to allow both edges to be fully zippered closed (Fig. 7). Repeat on other side.

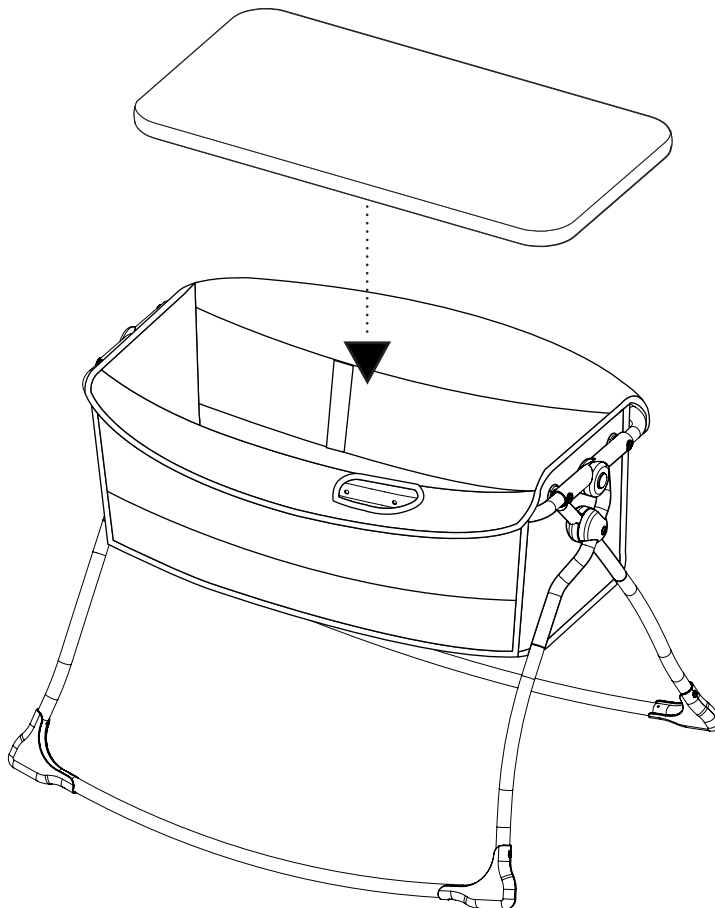
Fig. 7



- 1 Place the **sheet** over the **mattress pad**.



- 2 Place the **mattress pad with sheet** into the fully assembled bassinet. Make sure the bassinet **mattress pad** is flat.



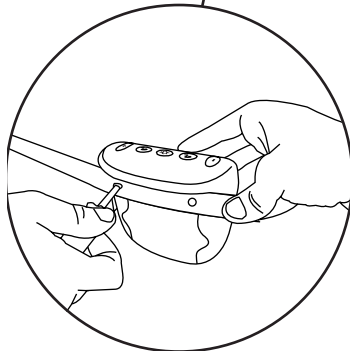
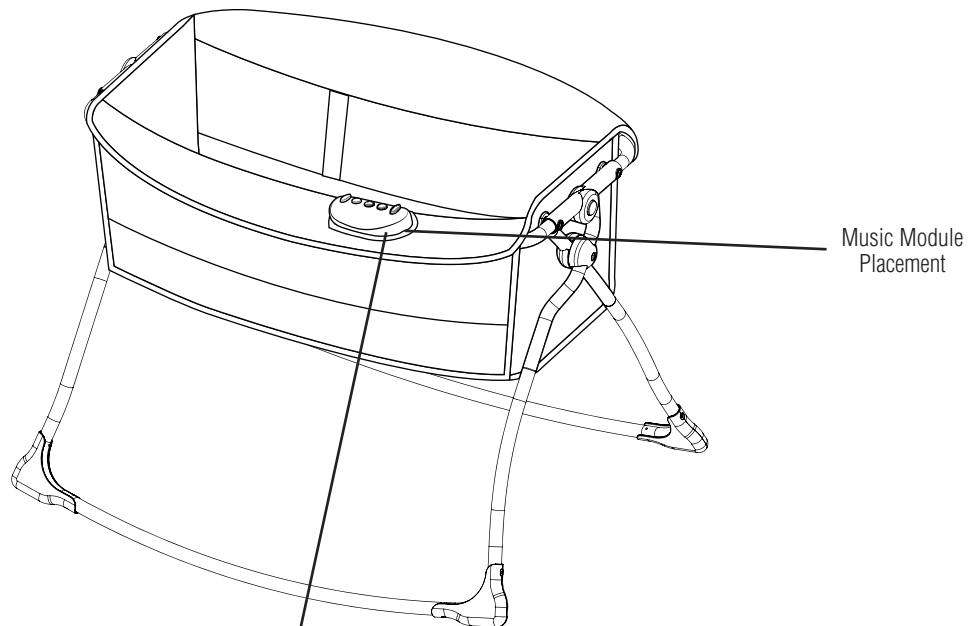
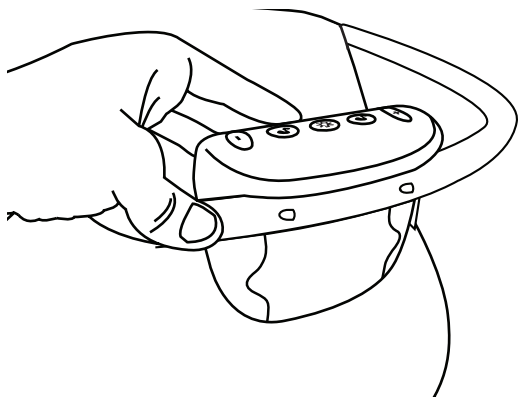


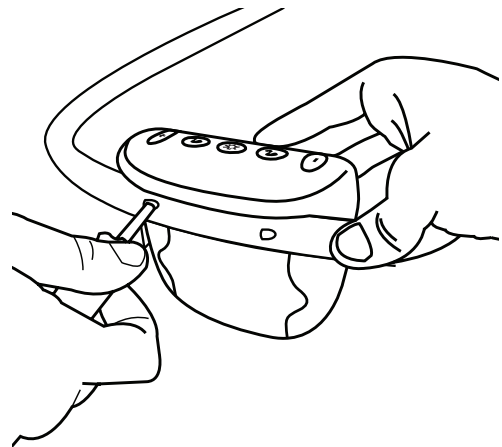
Fig. 8

Screw Module to Frame

- 1** To attach **music module**, remove the screws and line up music module to screw holes on **top locking frame**.



- 2** Position **music module** onto **top locking frame** and screw module to frame (Fig. 8).

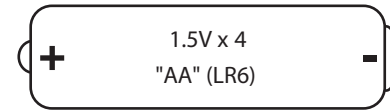
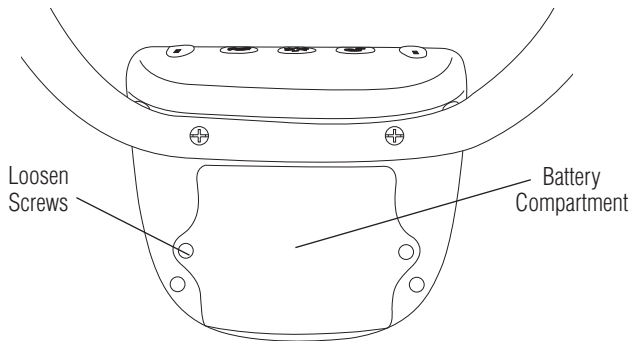


5

BATTERY INSTALLATION

- 3** Locate battery compartment on the front of **music module**. Loosen screw in battery compartment with Phillips Head screwdriver.
- Lift to remove door. Insert four (4) "AA" alkaline batteries.
 - Replace door and tighten screw.

NOTE: We recommend using alkaline batteries for longer battery life.



In exceptional circumstances, batteries may leak fluids that can cause a chemical burn injury or ruin your product. To avoid battery leakage:

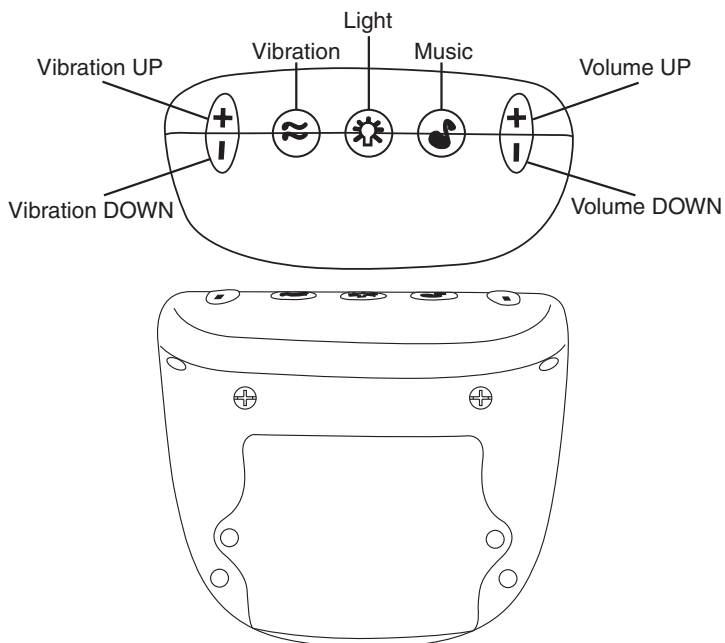
- Do not mix old and new batteries or batteries of different types: alkaline, standard (carbon-zinc) or rechargeable (nickel-cadmium).
- Insert batteries as indicated inside the battery compartment.
- Remove batteries during long periods of non-use. Always remove exhausted batteries from the product. Dispose of batteries safely.
- Never short-circuit the battery terminals.
- Use only batteries of the same or equivalent type, as recommended.
- Do not charge non-rechargeable batteries.
- Remove rechargeable batteries from the product before charging.
- If removable, rechargeable batteries are used, they are only to be charged under adult supervision.
- **When discarding batteries, be sure to dispose of them in the proper manner, according to your state and local regulations.**






Protect the environment by not disposing of this product with household waste (2002/96/EC). Check your local authority for recycling advice and facilities.

6

MUSIC MODULE OPERATION



- Activate bassinet light by pressing LIGHT button  on the top of the music module.
NOTE: Light will stay on in 10-minute cycles, unless button is pressed before 10 minutes are up.
- Press MUSIC button () on top of the music module to activate music. Press button multiple times to cycle through three (3) music melodies.
- Volume can be adjusted with UP/ DOWN buttons (+)/(-) on the top of the music module.
- Press VIBRATION button () on top of the music module to activate vibration. The intensity can be adjusted UP/DOWN buttons (+)/(-) on the top of the music module.
NOTE: Vibration will stay on in 10-minute cycles, unless button is pressed before 10 minutes are up.

7 REMOVING SOUND MODULE

- 1 To remove **music module**, unscrew music module from **top locking frame** (Fig 9).

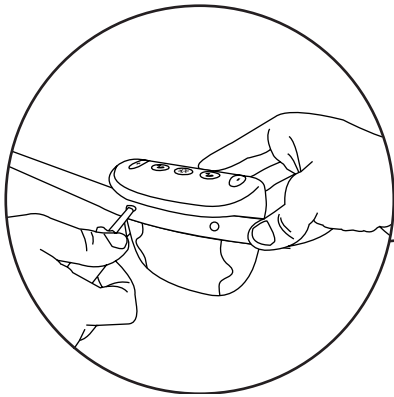
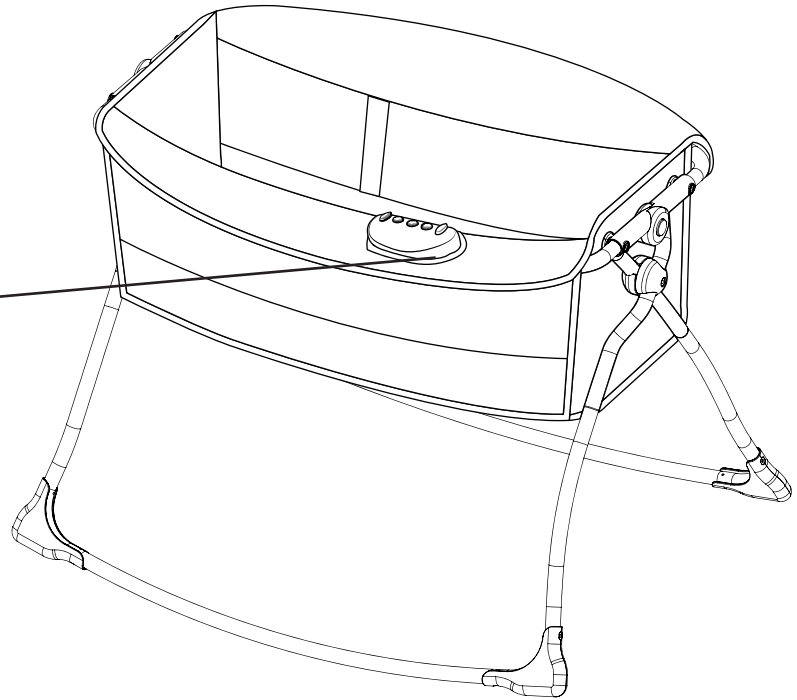


Fig. 9
Unscrew Module
From Frame



8 REMOVING FABRIC LINER

- 1 To remove **fabric liner**, unzip inside fabric liner zipper edge and printed fabric liner zipper edge (Fig. 10).

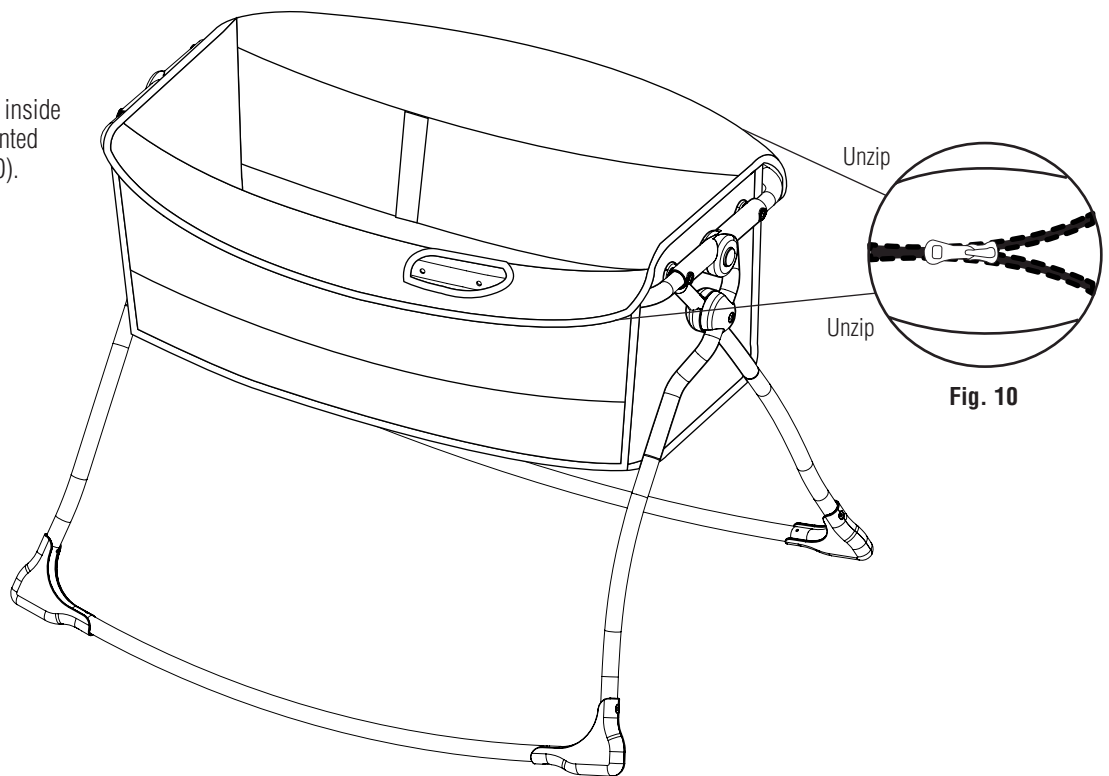
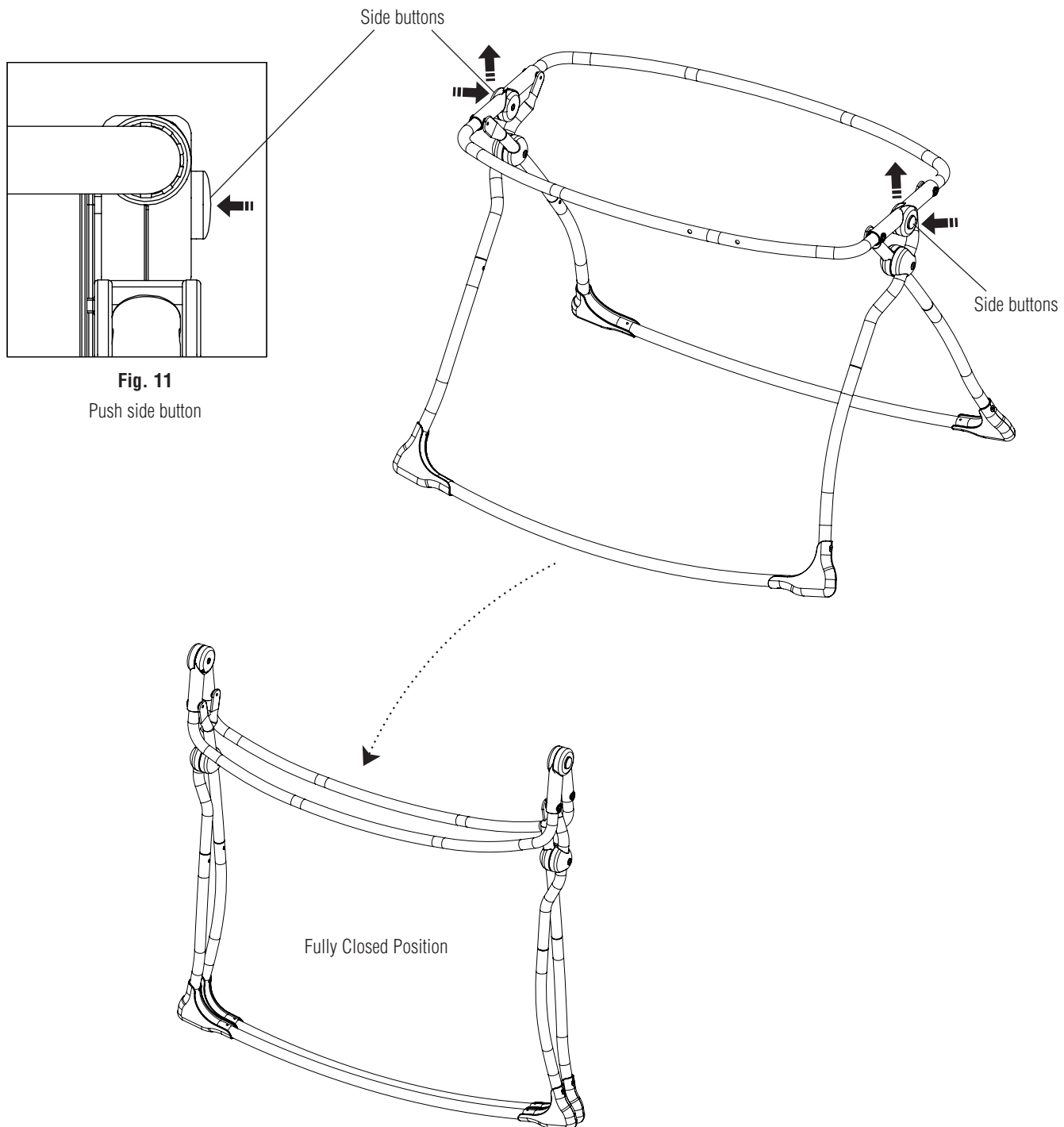


Fig. 10

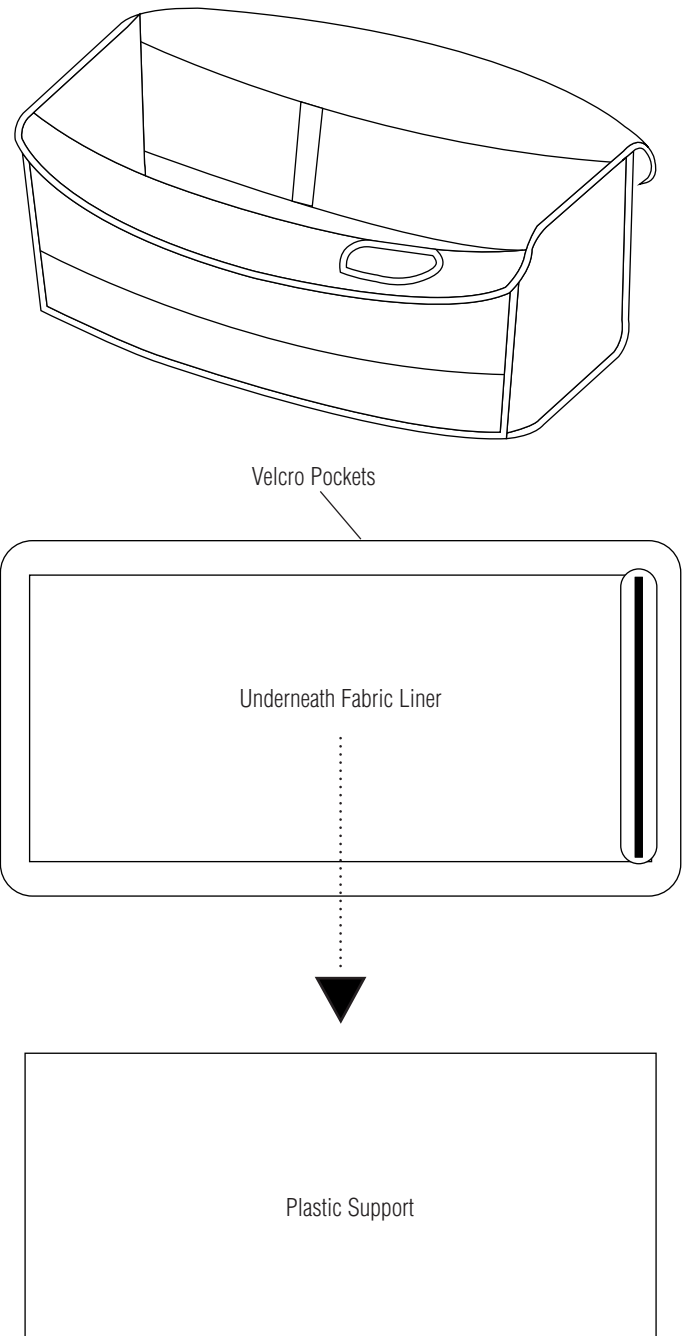
- 1 Press center of the side button joints then lift up (Fig. 11). The top and bottom frame will automatically fold while lifted.
NOTE: Sleeper can also be folded with fabric liner attached.



- Check Sleeper periodically for worn parts, torn material or stitching. Replace or repair the parts as needed. Use Delta replacement parts.
- The **fabric liner** and **sheet** are machine washable. Wash separately in cold water on the gentle cycle. Do not use bleach. Tumble dry separately on low heat and remove promptly.
- The **frame**, **mattress pad** and **music module** may be wiped clean using a mild cleaning solution and a damp cloth. Do not use bleach. Do not use harsh or abrasive cleaners. Rinse clean with water to remove residue. Do not immerse the frame.

Washing Instructions:

1. Remove **fabric liner** from bassinet.
2. Remove **plastic support** (located underneath fabric liner) and **mattress pad** from fabric liner.
3. Remove **sheet** from **mattress pad**.





Delta Children

114 West 26th Street
New York, NY 10001
(646) 435-8726

www.DeltaChildren.com