

DELUXE GLIDING BASSINET



INSTRUCTION MANUAL

ADULT ASSEMBLY REQUIRED

STYLES AND COLORS MAY VARY

27201

▲ WARNING: CHOKING HAZARD

Adult assembly required because of small parts. Keep assembly parts out of reach of children under 3 years.



Required Tools: 4 "AA" Batteries (Not included), Screwdriver (Not included)

Read all instructions BEFORE assembly and USE of product. KEEP INSTRUCTIONS FOR FUTURE USE.

Customer Care Tel. 1-(800)-377-3777

www.DeltaChildren.com

DCP-IM-04032018-F9

Consumer Information



WARNING

Failure to follow these warnings and instructions could result in serious injury or death.

- **Read all instructions before assembling unit.**

KEEP INSTRUCTIONS FOR FUTURE USE.

DO NOT USE THIS UNIT IF THE INSTRUCTIONS CANNOT BE STRICTLY FOLLOWED.

- Before each usage or assembly, inspect unit for damaged hardware, loose joints, missing parts or sharp edges. NEVER use this product if there are any loose or missing fasteners, loose joints, broken parts, or torn mesh/fabric. Check before assembly and periodically during use. Contact Delta Children's Products Customer Service Department at 1-800-377-3777 (8:00am ~ 4:30pm PST) for replacement parts, repair or instructions.
- **DO NOT** substitute parts.
- **FALL HAZARD**—To help prevent falls, DO NOT use this product when the infant begins to push up on hands and knees or has reached manufacturer's recommended maximum weight of 15lbs. (6.8kg), whichever comes first.
- Use bassinet with only one child at a time.
- Strings can cause strangulation! DO NOT place items with a string around a child's neck, such as hood strings or pacifier cords. DO NOT suspend strings over a product or attach strings to toys.
- **SUFFOCATION HAZARD:** Infants can suffocate:
 - In gaps between an extra pad and side of the bassinet/criadle.
 - On soft bedding.
- Use ONLY the pad provided by the manufacturer. **NEVER** add a pillow, comforter or another mattress for padding.
- If a sheet is used with the pad, use only the one provided by the manufacturer or one specifically designed to fit the dimensions of the bassinet/criadle.
- To reduce the risk of SIDS, pediatricians recommend healthy infants be placed on their back to sleep, unless otherwise advised by your physician.
- Never use plastic shipping bags or other plastic film as a mattress covers not sold and intended for that purpose. They can cause suffocation.
- **DO NOT** place bassinet near a window where cords from blinds or drapes may strangle a child. Child may fall out of window.
- **DO NOT** place cords, straps or similar items that could become wound around a child's neck in or near the bassinet.

CARE AND MAINTENANCE

Check bassinet for worn parts, torn material or stitching periodically. Replace or repair the parts as needed. Use Delta replacement parts.

Manufactured for and distributed by:



114 West 26th Street, New York, NY 10001



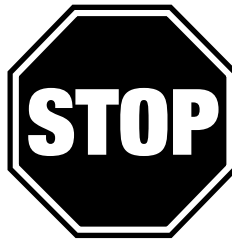
Customer Service

Tel. 1-(800)-377-3777

www.DeltaChildren.com

customerservice@DeltaChildren.com

MADE IN CHINA



Please DO NOT return this product to the store.

If you experience any difficulty with assembly, missing parts or use, please DO NOT return this item to the store. Retail stores are unable to properly assist you. Contact our Customer Service Department directly for assistance 1-800-377-3777.



www.DeltaChildren.com • CustomerService@DeltaEnterprise.com
©2018 Delta Children's Products, Inc. New York, NY 10001



EXTENDED WARRANTY

DON'T MISS YOUR CHANCE TO BE COVERED FOR ALL OF LIFE'S MISHAPS!

With Delta's Extended Warranty, you're covered for mechanical failure from normal use or if your item stops working due to normal wear and tear, plus all those unexpected surprises.

2 YEARS OF PROTECTION

For Additional Information:

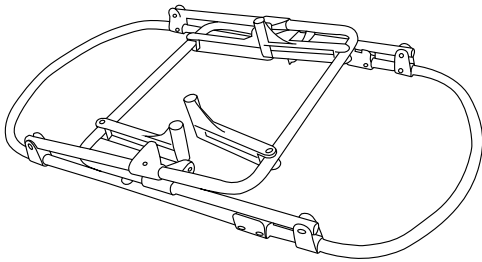
Simply visit our Website, register your product, and add the Extended Warranty

<https://www.deltachildren.com/pages/product-registration>

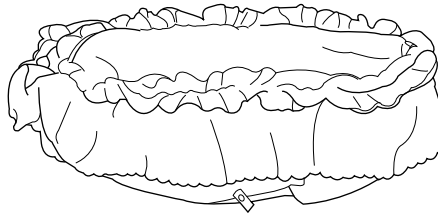
Extended Warranty only available in the following States: Arkansas, Colorado, Delaware, District of Columbia, Georgia, Idaho, Illinois, Indiana, Iowa, Kansas, Kentucky, Louisiana, Maryland, Michigan, Mississippi, Missouri, Nebraska, Nevada, New Hampshire, New York, North Carolina, North Dakota, Pennsylvania, Rhode Island, South Dakota, Tennessee, Utah, West Virginia

Parts

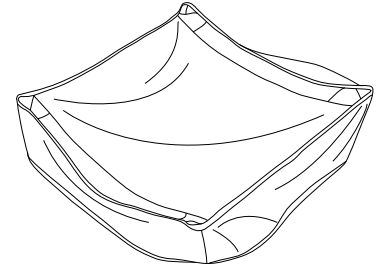
IMPORTANT! Please remove all parts from the package and identify them before assembly.



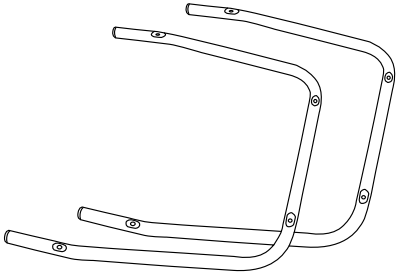
Frame



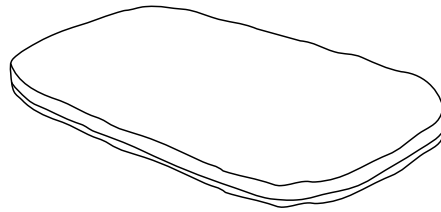
Fabric Liner



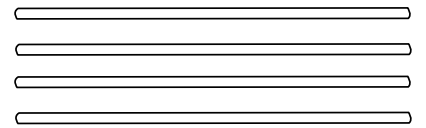
Fabric Storage Liner



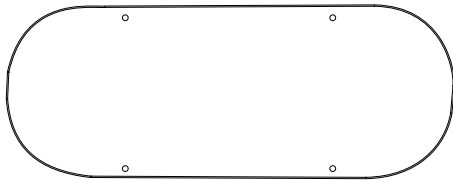
Base Legs



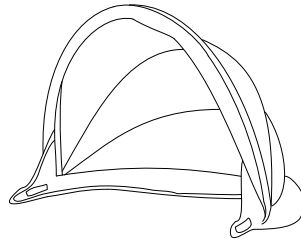
Mattress Pad



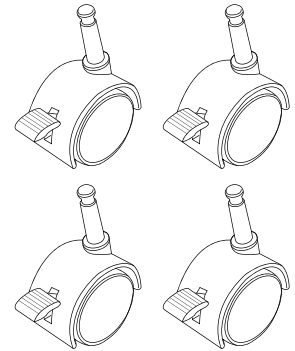
Support Tubes X4



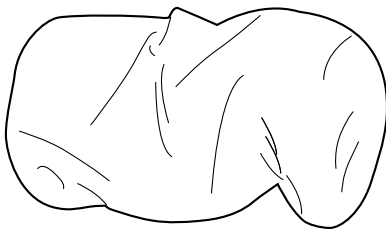
Mattress Support



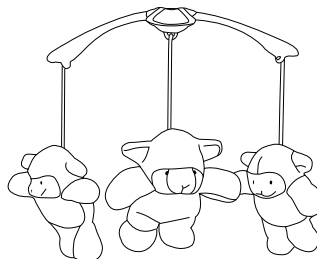
Canopy



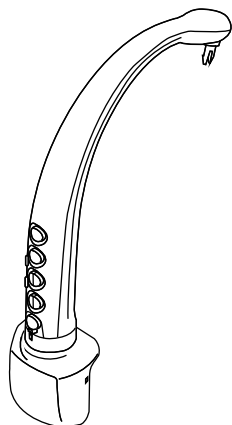
Wheels X4



Sheet



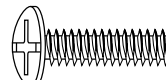
Toys



Mobile arm

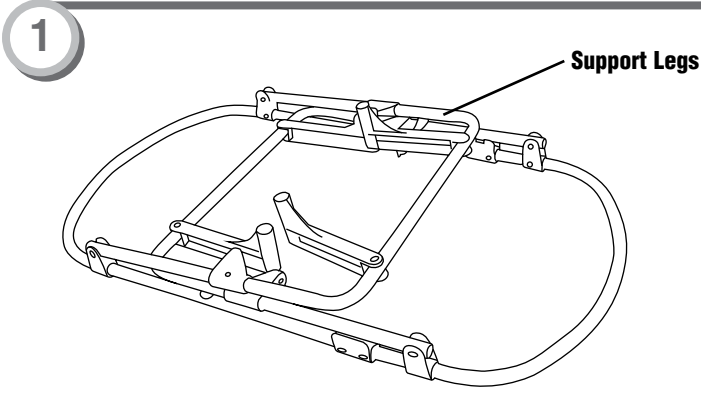


G8 x 4cm Screw - 8



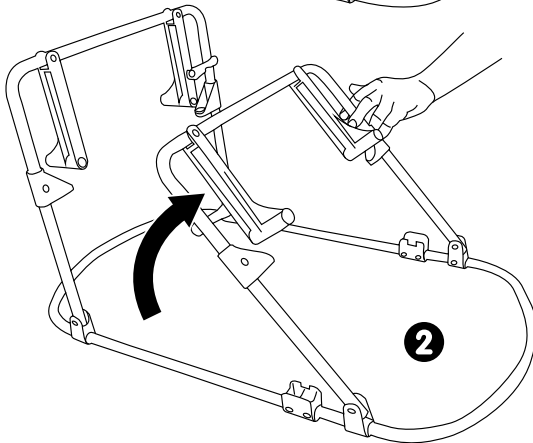
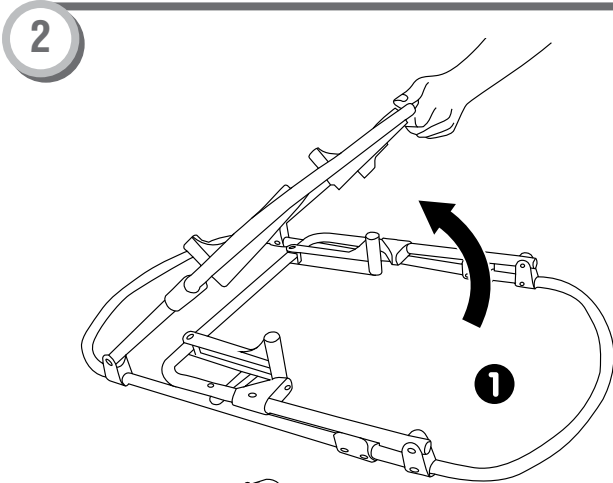
M6 x 2cm Screw - 4

Bassinet Assembly

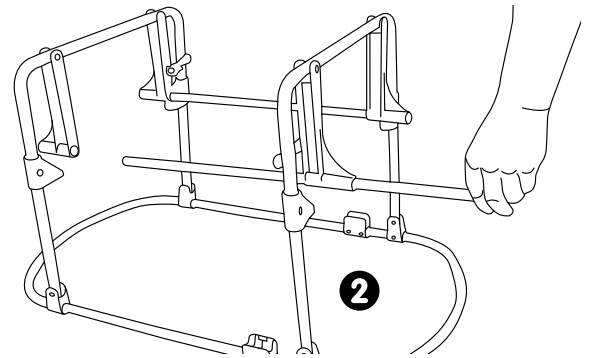
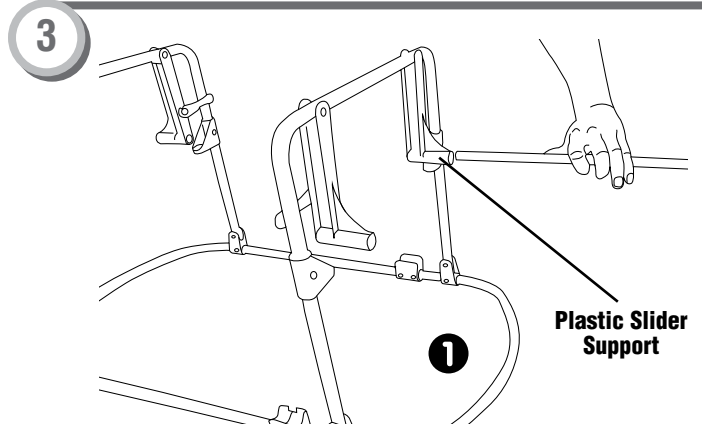


Note: You may need the help of another adult to help steady all parts for assembly.

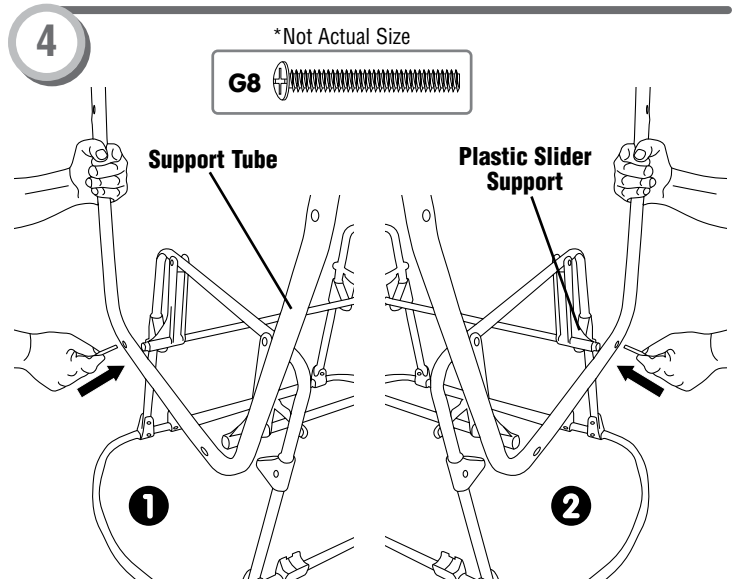
- Place the frame on a flat surface with the support legs facing up.



- Rotate the support legs out as shown in the above images.



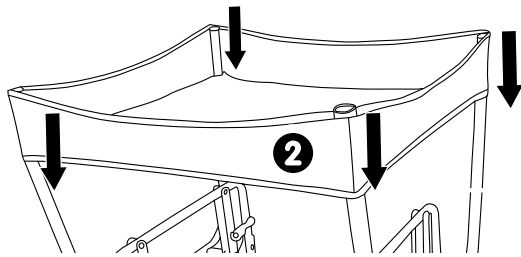
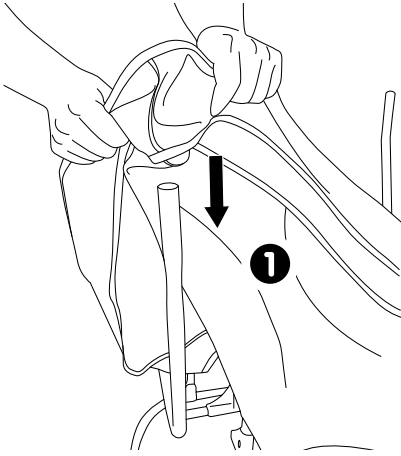
- Locate the four (x4) support tubes.
- Slide a support tube into the plastic slider support. Push the support bar through the second plastic slider support.
- Repeat with the second support tube.



- Locate the four G8 screws and the base legs.
- **1** With the open end up, line the bottom holes up with the two support tubes and plastic slider supports.
- Insert the G8 screw and hand tighten.
- **2** Align the other bottom hole on the base leg with the other support tube and plastic slider support.
- Insert the other G8 screw and hand tighten.
- Using the screw driver provided, tighten the two screws.
- Repeat for other support tube.

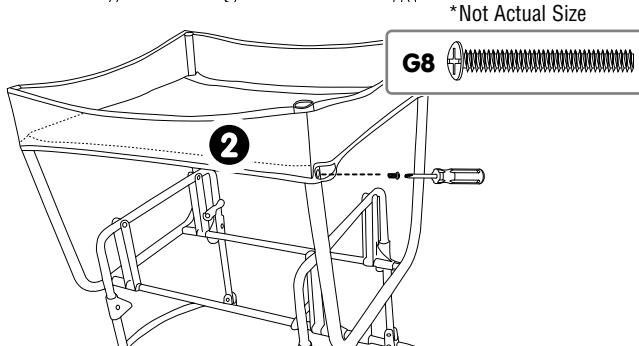
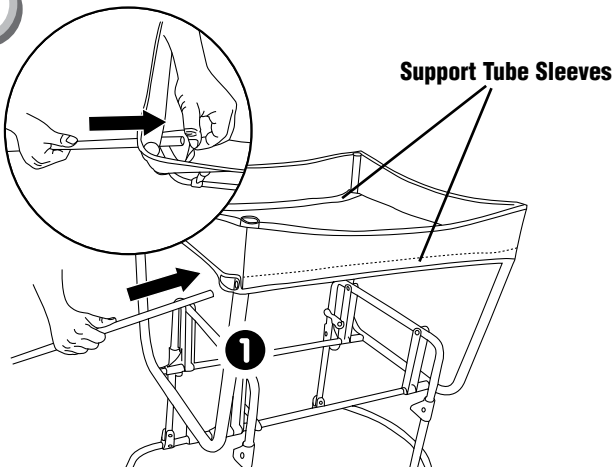
Bassinet Assembly

5



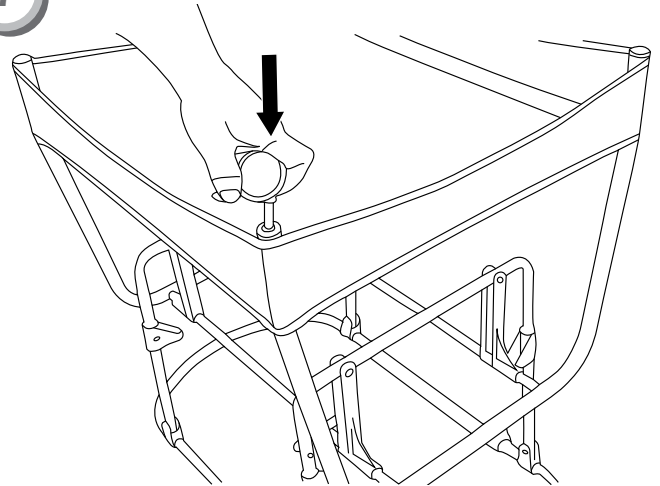
- Locate fabric storage liner.
- **1** With the support tube sleeves facing up, **2** slide the openings on the fabric storage liner over the base tubes.

6



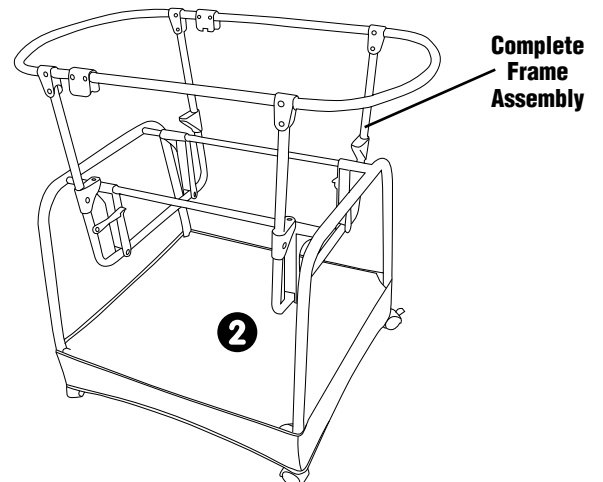
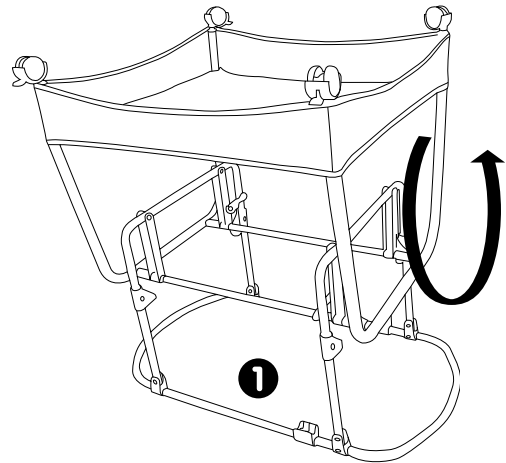
- Locate the remaining two (x2) support tubes and four (x4) G8 screws.
- Slide the support tubes through the support tube sleeves.
- Using the screwdriver provided and the G8 screws, securely fasten the support tubes to the base legs.

7



- Locate the four (x4) casters.
- Insert the casters into the base legs. Push down until you hear the caster "click" into place.
- Pull up on the caster to assure it is properly attached to the bassinet.

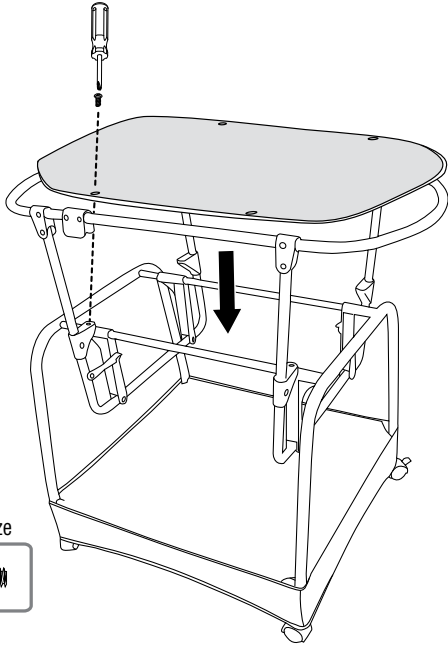
8



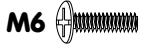
- Turn the assembly upright.
- Check to be sure the legs are secure. While gently holding the base down, pull out on the legs. They should remain assembled to the bases.

Bassinet Assembly

9

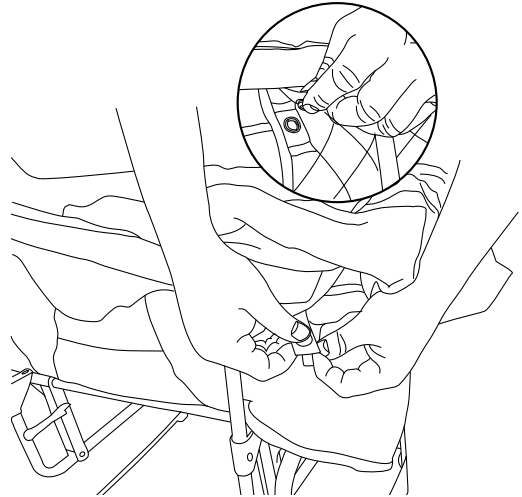


*Not Actual Size



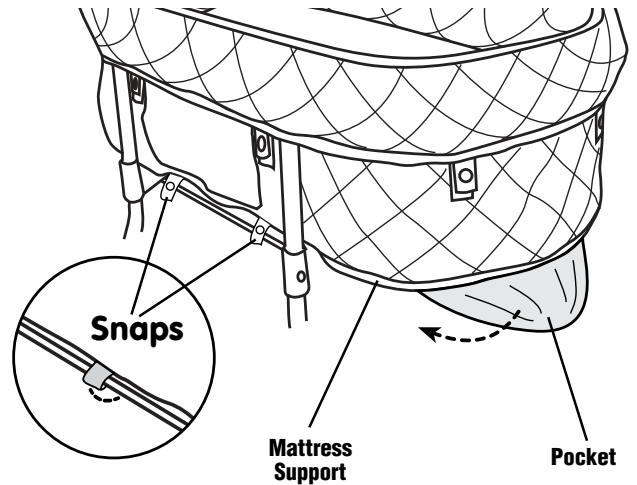
- Locate the mattress support board and four (x4) M6 screws.
- Place the mattress support board onto the frame.
- Line up the mattress support shelf holes with the mattress support holes.
- Insert the M6 screw and tighten with the screwdriver provided.

11



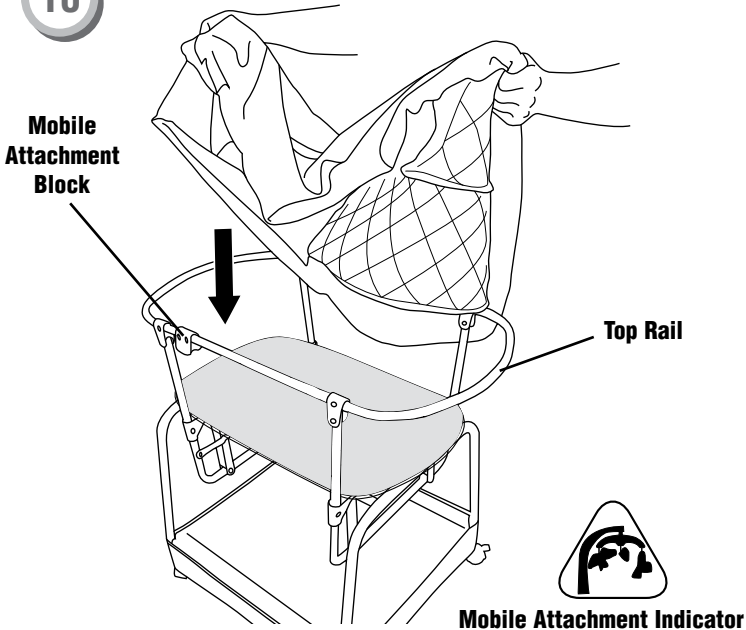
- Lift the skirt on the liner, snap all of the straps around the top of the frame.

12



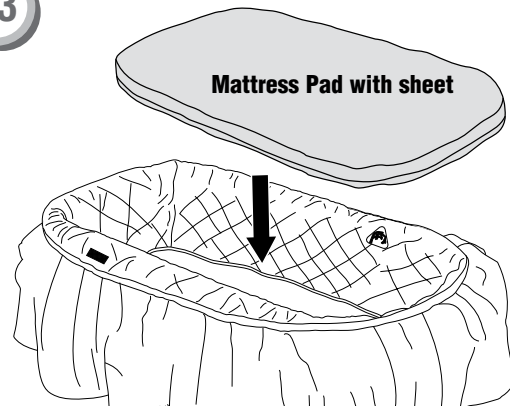
- Stretch the pockets on the bottom of the liner around the ends of the mattress support.

10



- Locate the fabric liner.
- NOTE:** Front of the frame has the two mobile attachment blocks and the front of the liner has the mobile attachment indicators and the warning label.
- Align the mobile attachment blocks with the mobile attachment indicators.
 - Place the liner onto the frame. Make sure warning is centered at the end of bassinet.

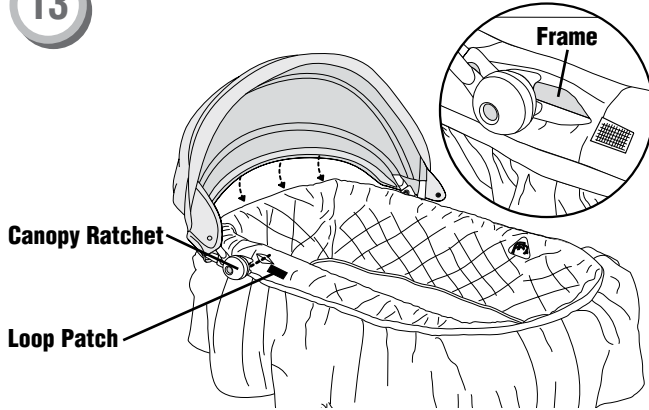
13



- Place the sheet over the mattress pad.
- Place the mattress pad with sheet into the liner.

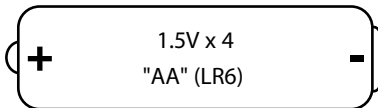
Bassinet Assembly

13



- Position the canopy over the top end of the bassinet opposite the warning label.
- Push aside foam to expose metal and push the canopy ratchet onto the frame on both sides of the bassinet.
- Fasten the hook and loop fasteners on the back edge of the canopy to the liner. Then fasten the hook and loop patches on each canopy flap to the side of the liner.


Battery Compartment Cover



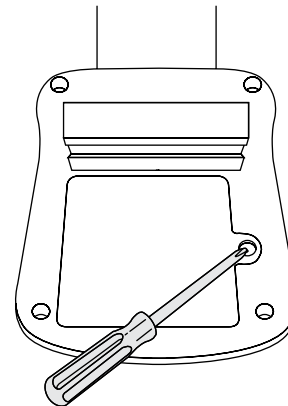
In exceptional circumstances, batteries may leak fluids that can cause a chemical burn injury or ruin your product. To avoid battery leakage:

- Do not mix old and new batteries or batteries of different types: alkaline, standard (carbon-zinc) or rechargeable (nickel-cadmium).
- Insert batteries as indicated inside the battery compartment.
- Remove batteries during long periods of non-use. Always remove exhausted batteries from the product. Dispose of batteries safely.
- Never short-circuit the battery terminals.
- Use only batteries of the same or equivalent type, as recommended.
- Do not charge non-rechargeable batteries.
- Remove rechargeable batteries from the product before charging.
- If removable, rechargeable batteries are used, they are only to be charged under adult supervision.
- **When discarding batteries, be sure to dispose of them in the proper manner, according to your state and local regulations.**

NOTE: We recommend using alkaline batteries for longer battery life. Make sure batteries are correctly installed.

-  Protect the environment by not disposing of this product with household waste (2002/96/EC). Check your local authority for recycling advice and facilities.

Battery Installation



(Fig 10.)

2. Locate the battery compartment on the back of the mobile arm base.
Hint: We recommend using alkaline batteries for longer battery life.

- Loosen the screws in the battery compartment door with a Philips screwdriver. (Fig. 10) Insert four "AA" alkaline batteries into the battery compartment.
- Replace the battery compartment door and tighten the screws.

Note: Low battery power may cause product movement to slow, sound to become faint or product to turn off all together. If this should happen, replace the batteries with four, new alkaline "AA" batteries.

Consumer Information



WARNING

Read all instructions BEFORE assembly and USE of product. KEEP INSTRUCTIONS FOR FUTURE USE.

- A mobile is intended for visual stimulation and is not intended to be grasped by the child.
- From birth to 5 months.
- Possible entanglement injury.
- Keep out of baby's reach.
- Remove mobile from bassinet or cradle when baby begins to push up on hands and knees. Toys are not meant to be "mouthed" by the baby and should be positioned clearly out of reach of the baby's face and mouth.
- Adult assembly required.
- Always attach all provided fasteners (strings, straps, clamps, etc.) tightly to the bassinet according to the instructions. Check frequently.
- Do not add additional strings or straps to attach to the bassinet.
- The mobile is not intended for use in playpens or portable cribs.

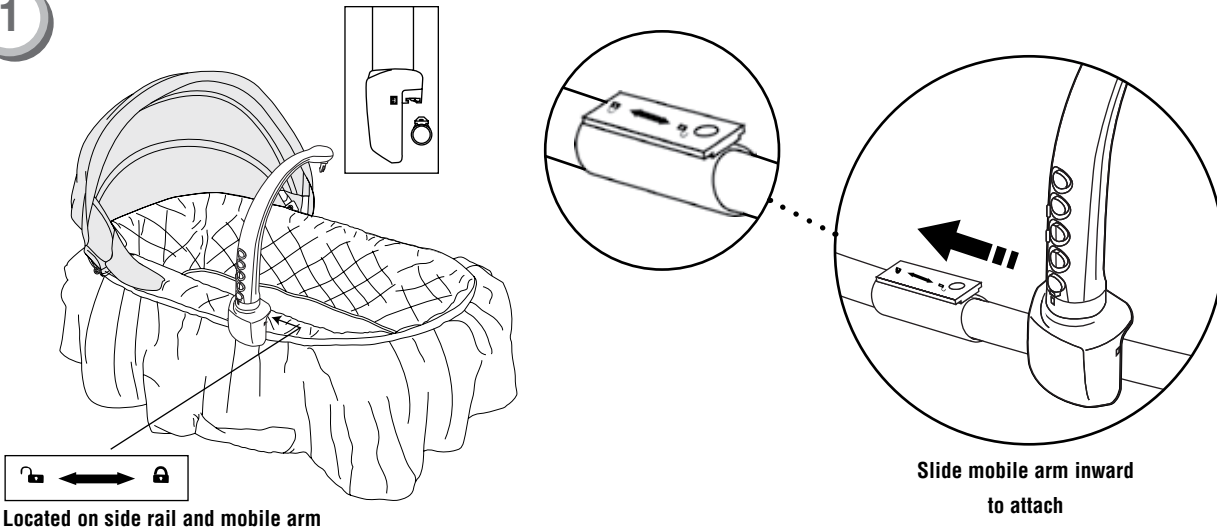
CAUTION - Changes or modifications not expressly approved by the party responsible for compliance could void the user's authority to operate the equipment.

NOTE: This equipment has been tested and found to comply with the limits for a class B digital device pursuant to Part 15 of the FCC Rules. These limits are designed to provide reasonable protection against harmful interference in a residential installation. This equipment generates, uses and can radiate radio frequency energy and, if not installed and used in accordance with the instructions, may cause harmful interference to radio communications. However, there is no guarantee that interference will not occur in a particular installation. If this equipment does cause harmful interference to radio or television reception, which can be determined by tuning the equipment off and on, the user is encouraged to try to correct the interference by one or more of the following measures:

- Reorient or relocate the receiving antenna.
- Increase the separation between the equipment and receiver.
- Connect the equipment into an outlet on a circuit different from that to which the receiver is connected.
- Consult the dealer or experienced radio/TV technician for help.

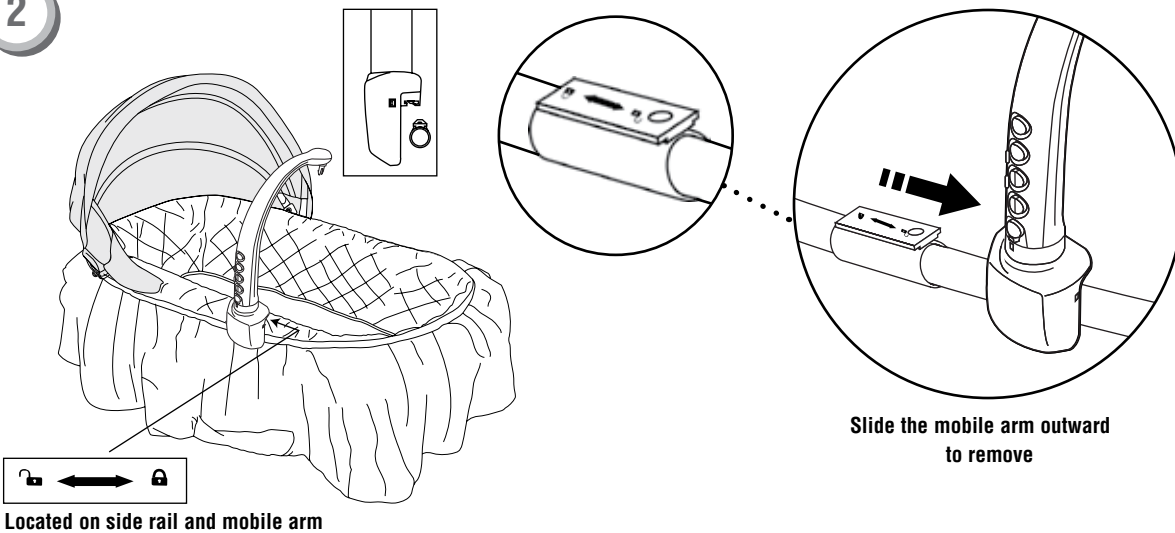
Mobile Assembly

1



- Align and slide mobile arm inward over the mobile icon located on the side rail.
 - It will “click” when it is fully clipped on.
- NOTE:** When removing baby from bassinet, rotate the mobile arm away from the bassinet.

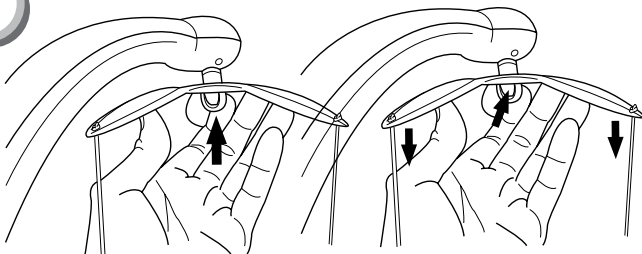
2



To Remove the Mobile Arm Assembly

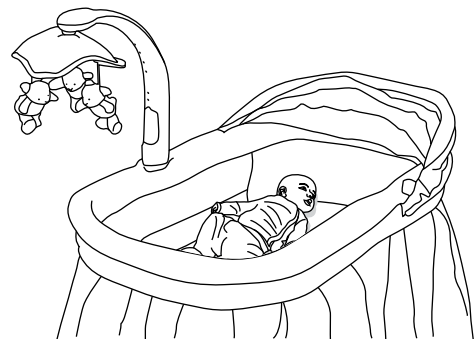
- Slide the mobile arm outward along the side rail to fully remove.

3



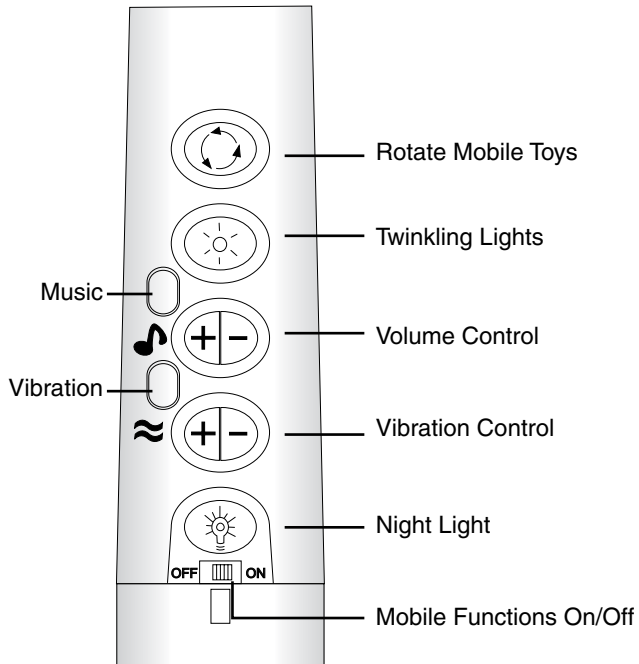
- Fit the mobile to the mobile arm. Push the mobile up firmly.
- HINT:** To disassemble the mobile for storage, press the tab on the mobile arm and pull the mobile down.

4



- NOTE:** when placing or lifting a child into or out of the bassinet make sure the canopy is fully rotated into the closed position and electronic mobile arm is fully rotated away from the baby.

Mobile and Vibrations Unit Operation



Mobile Functions On/Off Switch

- Push the Mobile Functions On/Off button at the base of the mobile arm to turn on power. This is the main power switch to the mobile arm and also turns on the power LED on the Night Light button. The LED will stay on in the dark.

Rotate Mobile Toys Button

- Press to begin a 5 minute cycle of rotation.
- Press again to stop the mobile.
- Press to start a new 5-minute cycle. If this button is pressed while mobile is operating, the rotation cycle will restart.

Twinkling Lights Button

- Press to start a 5 minute light show.
- Press again to stop the light show.

Music Button

- Press to start cycle of music.
- Press again to stop the music.

Vibration Button

- Press to start 5-minute cycle of vibration.
- Press again to stop vibration.

Night Light

- Press to turn on mobile light for 5 minutes.
- Press again to turn light off.

Vibration Control

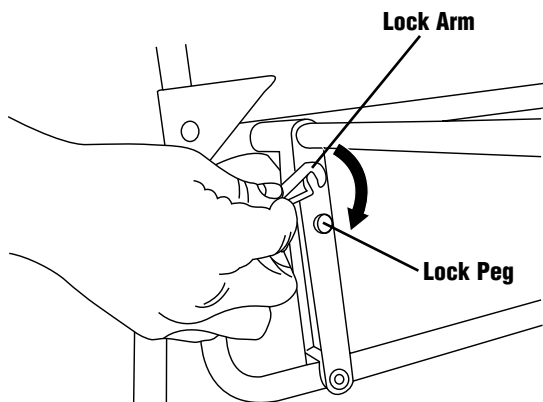
- Push toward + to increase vibration.
- Push toward – to decrease vibration.

Music Volume Control

- Push toward + to increase volume.
- Push toward – to decrease volume.

Locking/Unlocking Bassinet

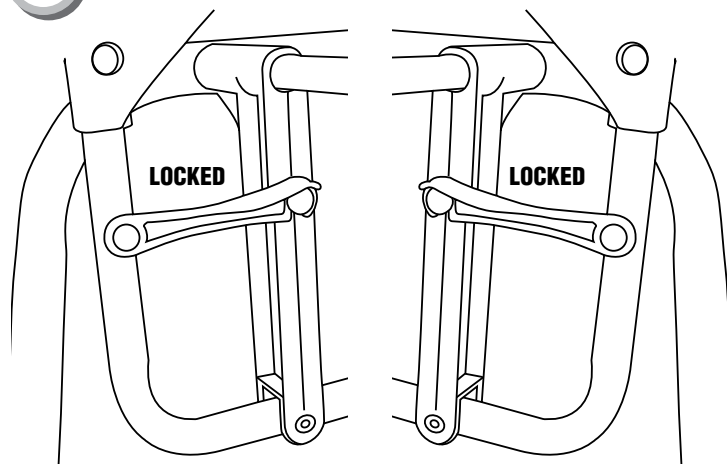
1



- To lock the gliding mechanism, rotate the red lock arm clock wise and snap the lock arm onto the lock peg.

NOTE: There is a lock on both sides of the bassinet.

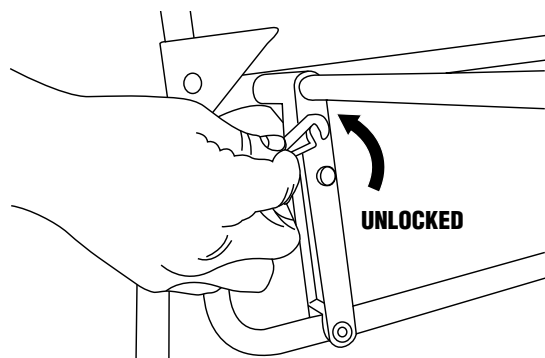
2



HINT: Locks are located on opposite corners of the bassinet frame.

- Repeat lock procedure on other side of the bassinet.

3



- To unlock the gliding mechanism rotate the red lock arm counter clock wise and off the lock peg.

NOTE: Remember to unlock both sides of the bassinet.

Care

- The frame, mattress pad, storage basket, canopy, mobile and mobile arm may be wiped clean using a mild cleaning solution and a damp cloth. Do not use bleach. Do not use harsh or abrasive cleaners. Rinse clean with water to remove residue. Do not immerse the frame.
- The sheet is machine washable. Wash it separately in cold water on the gentle cycle. Do not use bleach. Tumble dry separately on low heat and remove promptly.
- Always store product in a clean and dry place.



Delta Childrens Products Corp.

114 West 26th Street
New York, NY 10001
1-800-377-3777

www.deltachildren.com