

# LX DELUXE PLAY YARD



## INSTRUCTION MANUAL

**ADULT ASSEMBLY REQUIRED**

**STYLES AND COLORS MAY VARY**

# 26201



**▲ WARNING:  
CHOKING HAZARD**

Adult assembly required because of small parts. Keep assembly parts out of reach of children under 3 years.

**Read all instructions BEFORE assembly and USE of product. KEEP INSTRUCTIONS FOR FUTURE USE.**

**Customer Care Tel. 1-(800)-377-3777**

[www.DeltaChildren.com](http://www.DeltaChildren.com)

DCP-IM-04022018-F7

# Consumer Information



## WARNING

**WARNING: Failure to follow these warnings and the instructions could result in serious injury or death (keep the instructions for future reference). Before assembling this play yard read and understand the instructions, incorrect assembly may make the play yard unsafe.**

### **SUFFOCATION HAZARD – Infants can suffocate:**

- In gaps between a mattress (too small or too thick) and product sides.
- On soft bedding
- NEVER add a mattress, pillow, comforter or padding. Use ONLY the pad provided by the manufacturer.
- **Never leave infant in product with sides down.** Infant may roll into spaces between pad and loose mesh side causing suffocation.
- Strings can cause strangulation! Never place items with a string around a child's neck such as hood strings or pacifier cords. Never suspend strings over product or attach strings to toys.
- The product, including side rails, must be fully erected prior to use. Make sure latches are secure.
- Never leave infant in the product with the top rail latches unlatched in the unlocked position. Be sure top rail latches are raised and latched into the locked position whenever the child is in the product.
- Discontinue use of the product when child is able to climb out or reaches the height of 35 in (890 mm).
- Never place product near a window where cords from blinds or drapes can strangle a child. DO NOT place the play yard near trailing cables or hanging cords.
- Always provide the supervision necessary for the continued safety of your child. When used for playing, never leave child unattended.
- DO NOT use the play yard if the fabric on the side rail or end rails has been ripped or torn through.
- Use only the pad provided by the manufacturer. Play yard pad dimensions are 38.5 in (978mm) long by 27.5 in (699mm) wide.
- To reduce the risk of Sudden Infant Death Syndrome (SIDS), pediatricians recommend healthy infants be placed on their backs to sleep, unless otherwise advised by your physician.
- Never use plastic shipping bags or other plastic film as mattress covers not sold and intended for that purpose. They can cause suffocation.
- Never use a water mattress with this product.
- Keep medication and small items that a child could choke on away from the play yard.
- Use this product with only one child at a time.
- Maximum weight limit for the changer is 25 lb (11kg)
- Maximum weight limit for the bassinet is 15 lb (6.8kg)
- Child can become entrapped and die when improvised netting or covers are placed on top of a play yard. Never add such items to confine child in play yard.
- When child is able to pull to standing position, remove bumper pads, large toys, and other objects that could serve as steps for climbing out.

**IMPORTANT!** Never use this product if there are any loose or missing fasteners, loose joints, broken parts, or torn mesh/fabric. Check before assembly and periodically during use. Contact Delta Children's Products for replacement parts. Never substitute parts.



## **Please DO NOT return this product to the store.**

If you experience any difficulty with assembly, missing parts or use, please DO NOT return this item to the store. Retail stores are unable to properly assist you. Contact our Customer Service Department directly for assistance 1-800-377-3777.



www.DeltaChildren.com • CustomerService@DeltaEnterprise.com  
©2018 Delta Children's Products, Inc. New York, NY 10001



# **EXTENDED WARRANTY**

**DON'T MISS YOUR CHANCE TO BE COVERED FOR ALL OF LIFES MISHAPS!**

With Delta's Extended Warranty, you're covered for mechanical failure from normal use or if your item stops working due to normal wear and tear, plus all those unexpected surprises.

## **2 YEARS OF PROTECTION**

**For Additional Information:**

**Simply visit our Website, register your product, and add the Extended Warranty**

**<https://www.deltachildren.com/pages/product-registration>**

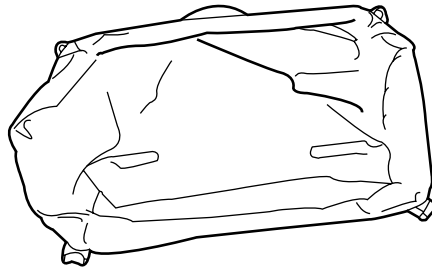
Extended Warranty only available in the following States: Arkansas, Colorado, Delaware, District of Columbia, Georgia, Idaho, Illinois, Indiana, Iowa, Kansas, Kentucky, Louisiana, Maryland, Michigan, Mississippi, Missouri, Nebraska, Nevada, New Hampshire, New York, North Carolina, North Dakota, Pennsylvania, Rhode Island, South Dakota, Tennessee, Utah, West Virginia

# Parts

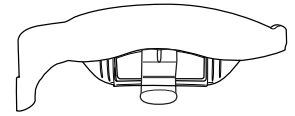
**IMPORTANT!** Please remove all parts from the package and identify them before assembly.



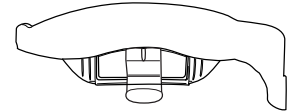
**Play Yard**



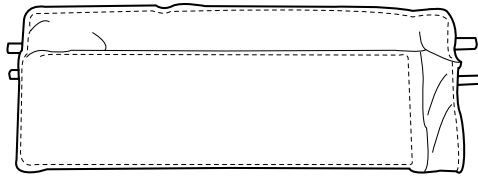
**Bassinet**



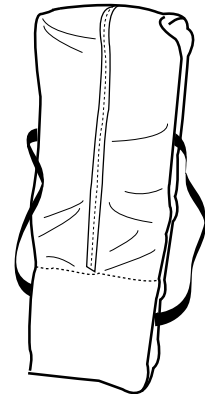
**Changing Table Retainer (Right)**



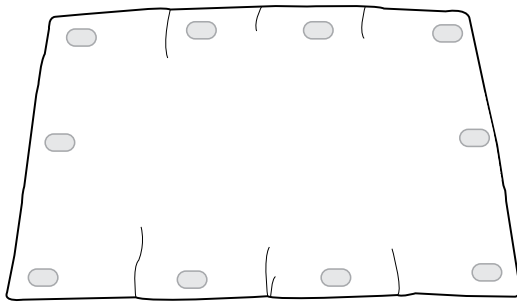
**Changing Table Retainer (Left)**



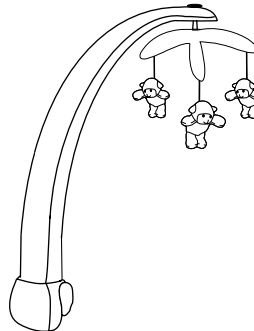
**Changing Table**



**Travel and Storage Bag**

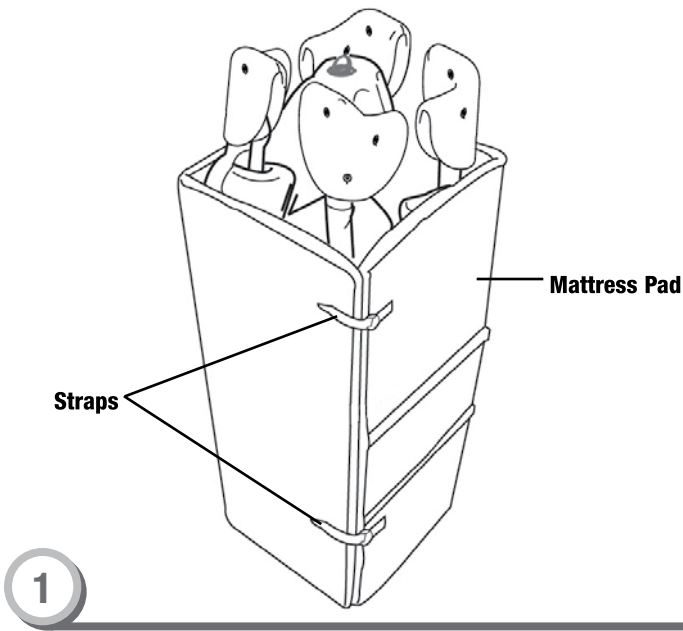


**Mattress Pad**

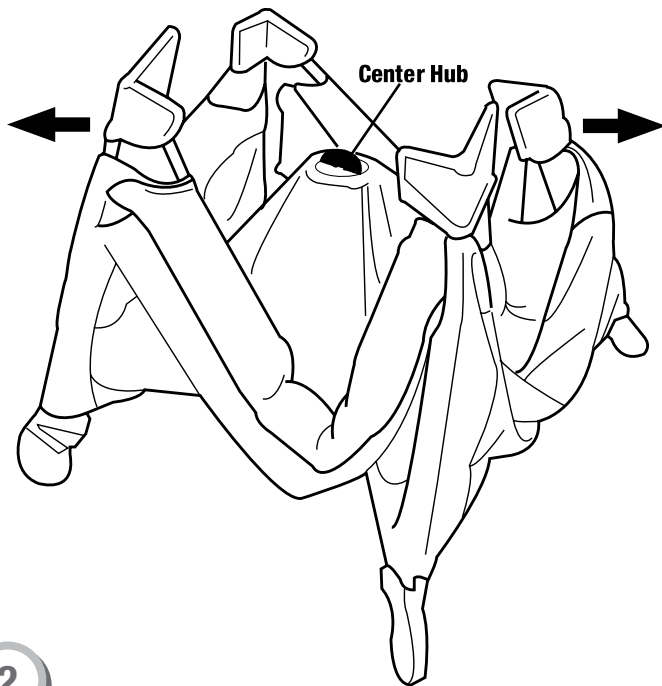


**Mobile Arm**

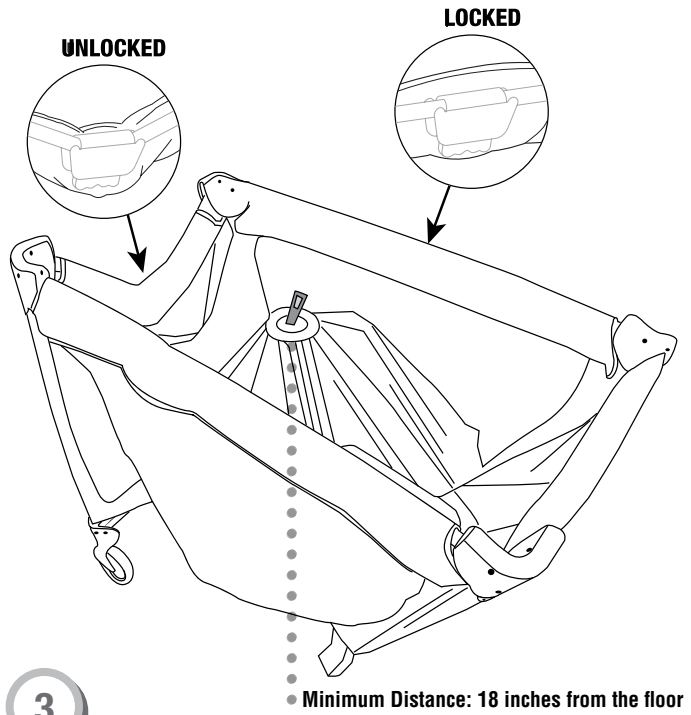
# Play Yard Assembly and Use



- Unfasten the straps on the mattress pad.
- Remove the bassinet, toy bar, and the play yard from inside the mattress pad.

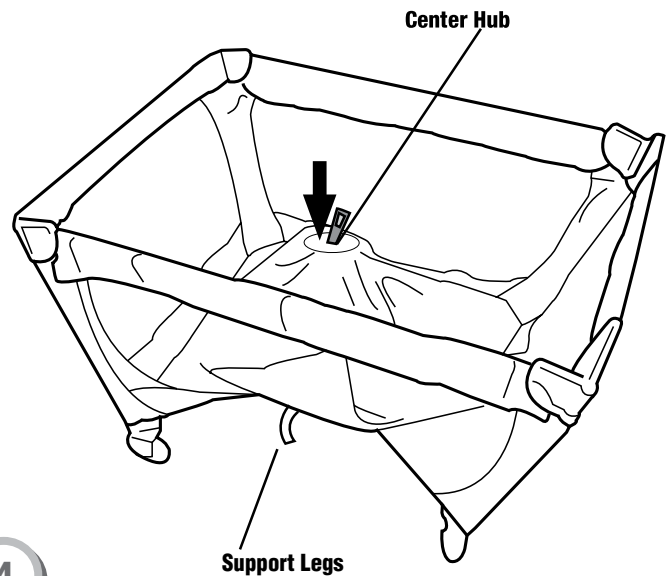


- Carefully pull the end rails out.
- IMPORTANT!** Do not push down on the center hub. You will do this in step 4.



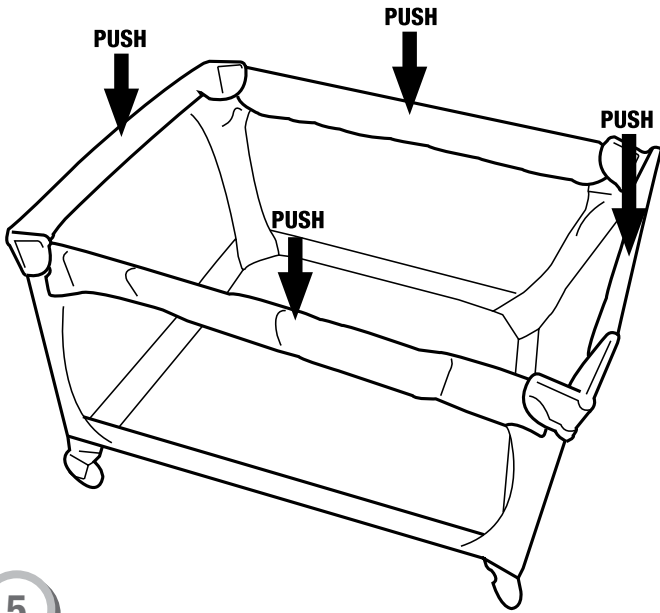
• Minimum Distance: 18 inches from the floor

- Make sure the center hub is raised at least 18 inches.
- Grasp the center of each side rail and end rail then lift to “SNAP” into the locked position.
- If “snapping” of the side rail and end rail locks does not occur easily, recheck that the center hub is up to recommended height before proceeding.



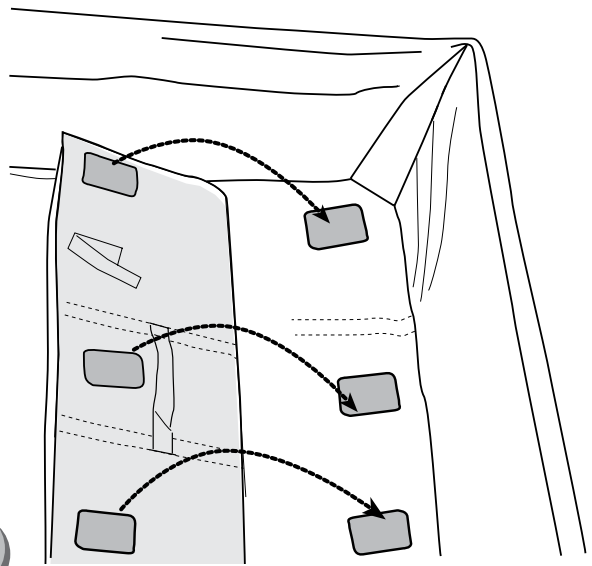
- IMPORTANT!** Before pushing down the center hub into a locked position, check that the support legs are positioned flat on the floor to successfully lock down the center hub.
- Press down on the center hub to lock it into the use position.

# Play Yard Assembly and Use



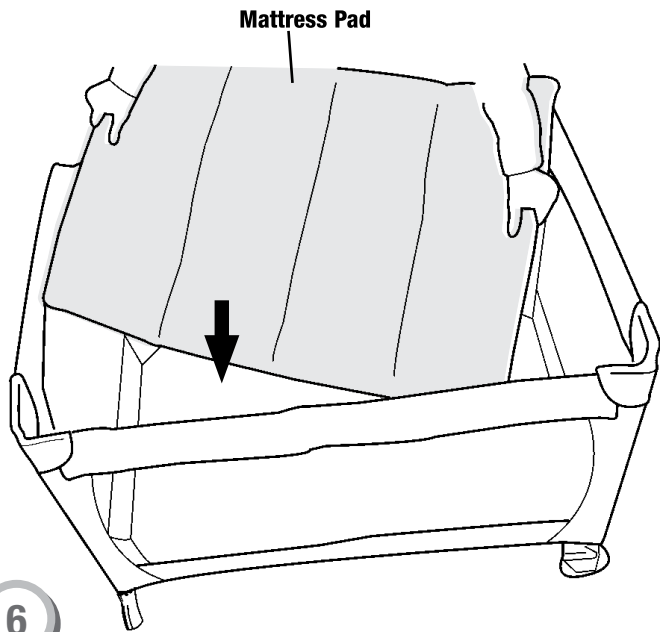
5

**IMPORTANT!** Check to be sure the play yard frame is secure. Push down on the sides and end rails.



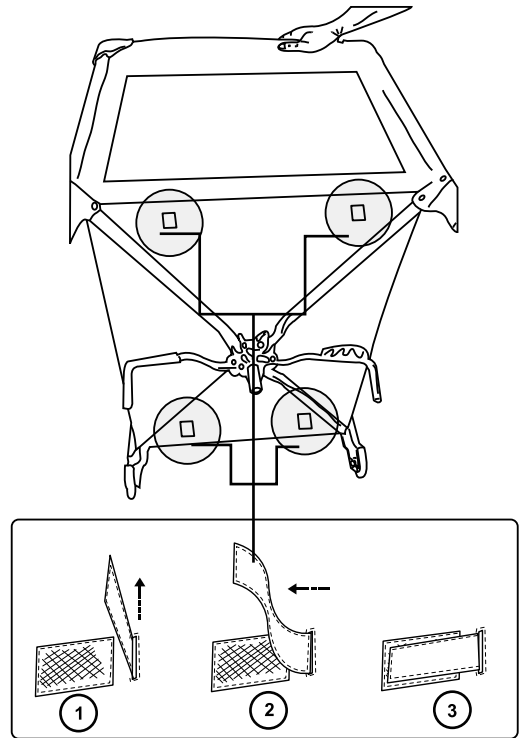
7

- Fit all four corners of the mattress pad into the corner in the base of the play yard.
- Push down on the mattress pad to attach all fabric fasteners.



6

- Place mattress pad in the play yard.



8

- Pull through hook and loop straps through the slots at the bottom of the play yard. Fasten straps as shown in illustration. **WARNING:** Make sure both hook and loop straps are firmly attached.

# Bassinet Assembly and Use



## WARNING

**WARNING: Failure to follow these warnings and instructions could result in serious injury or death.**

- **FALL HAZARD** -To help prevent falls, do not use the bassinet feature of this product when the infant begins to push up on hands and knees or has reached manufacturer's recommended maximum weight of 15 lbs (6.8kg), or can roll over, whichever comes first.

## **SUFFOCATION HAZARD** – Infants have suffocated:

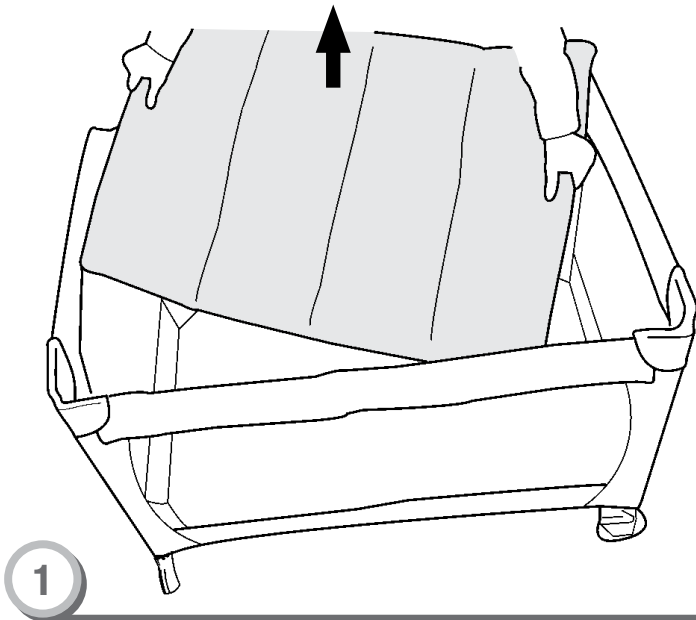
- In gaps between extra padding and side of the bassinet and
- On soft bedding

Use only the pad provided by manufacturer.

**NEVER** add a pillow, comforter, or another mattress for padding.

- **STRANGULATION HAZARD** -Never leave bassinet attachment in place when child is in play yard.
- If using a mattress sheet use only one specifically designed to fit the dimensions of the bassinet mattress pad provided by the manufacturer.
- Use only the pad provided by the manufacturer. Play Yard pad dimensions are 38.5 in (978mm) long by 27.5 in (699mm) wide.
- Side rails must be erect and latched prior to use. Failure to latch may result in child falling out of bassinet or becoming entrapped.
- To reduce the risk of Sudden Infant Death Syndrome (SIDS), pediatricians recommend healthy infants be placed on their back to sleep, unless otherwise advised by your physician.
- Use bassinet with only one child at a time.
- DO NOT store the bassinet in the play yard while in use.
- To help prevent heat build-up inside the play yard and to avoid overheating your child when using the bassinet, do not use as an outdoor canopy.
- The bassinet must be fully assembled and installed, including four metal tubes, corner clips, and mattress pad before using. Make sure all the bassinet clips are fully engaged underneath each corner of the play yard. Check by pulling upwards on the bassinet attachment.
- Strings can cause strangulation! DO NOT place items with a string around a child's neck, such as hood strings or pacifiers cords. DO NOT suspend strings over a product or attach strings or toys.
- DO NOT place the play yard near trailing cables or hanging cords.

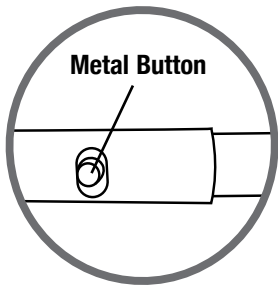
# Bassinet Assembly and Use



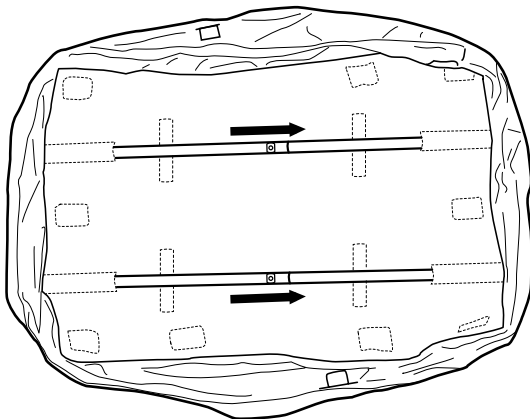
1

**NOTE:** Remove the mattress pad used in the play yard for use in the bassinet.

- Lift to unfasten the fabric fasteners on the underside of the mattress pad and remove.

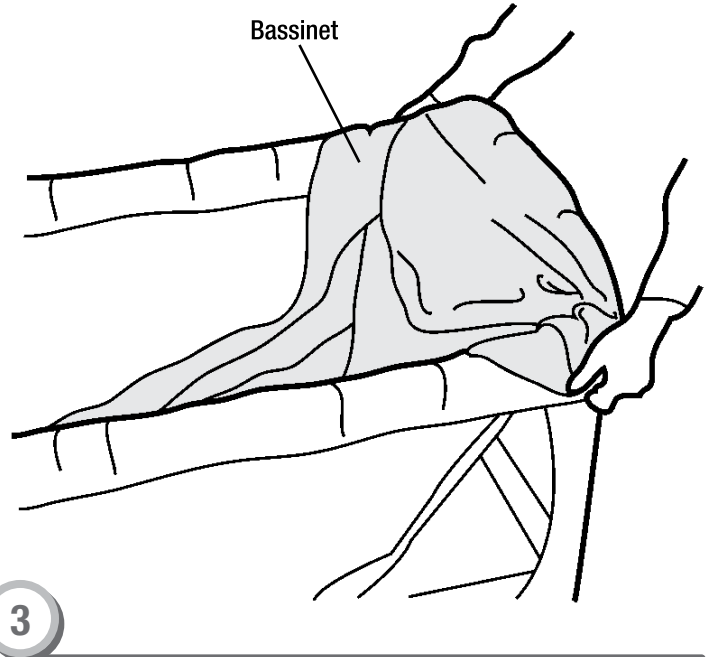


Metal Button



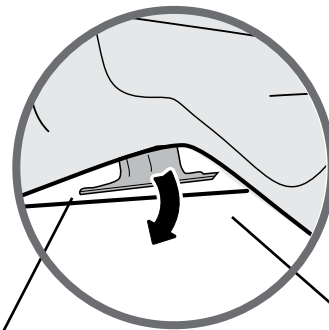
2

- Place bassinet on a flat surface with the bottom facing up.
- Pull out the support tube till the button “CLICKS” into its locked position.
- Repeat above step to extend and lock the other support tube.



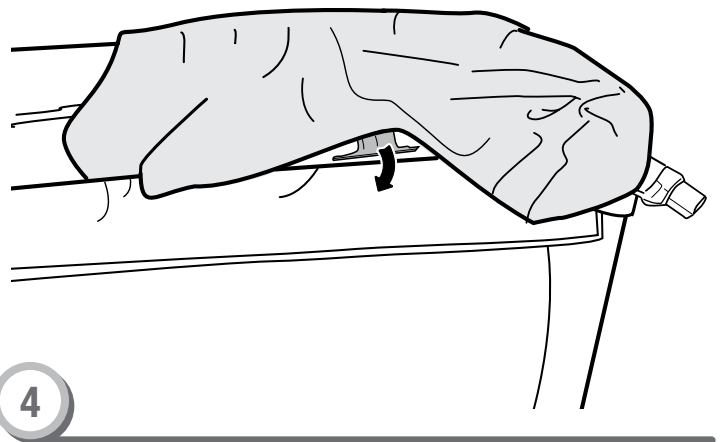
3

- With the bassinet support tubes facing down, place the bassinet over the top of an end rail on the play yard.



Side Clip

Play yard Side Rail

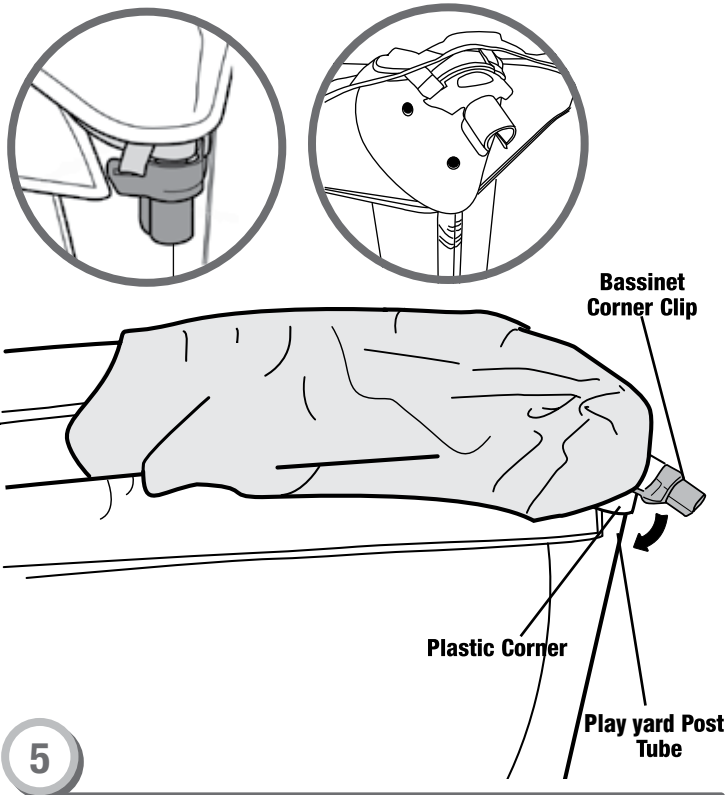


4

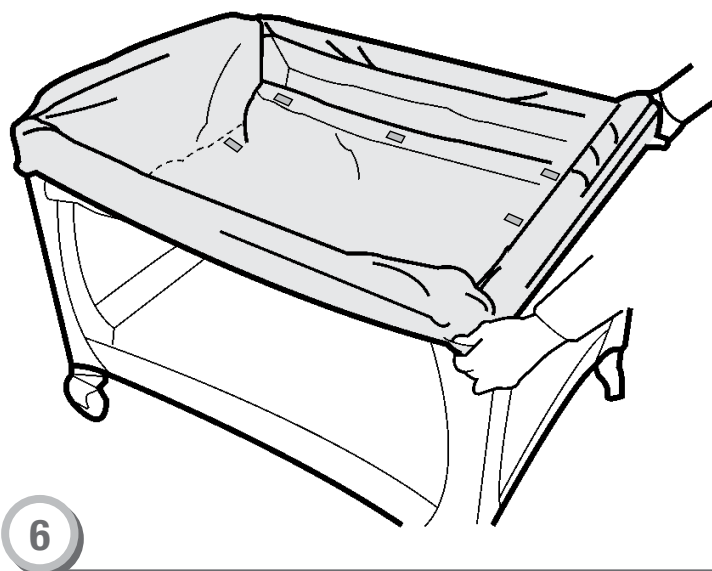
- Fit four (x4) bassinet side clips over the play yard side rails and fit other four (x4) bassinet side clips over the play yard end rails.



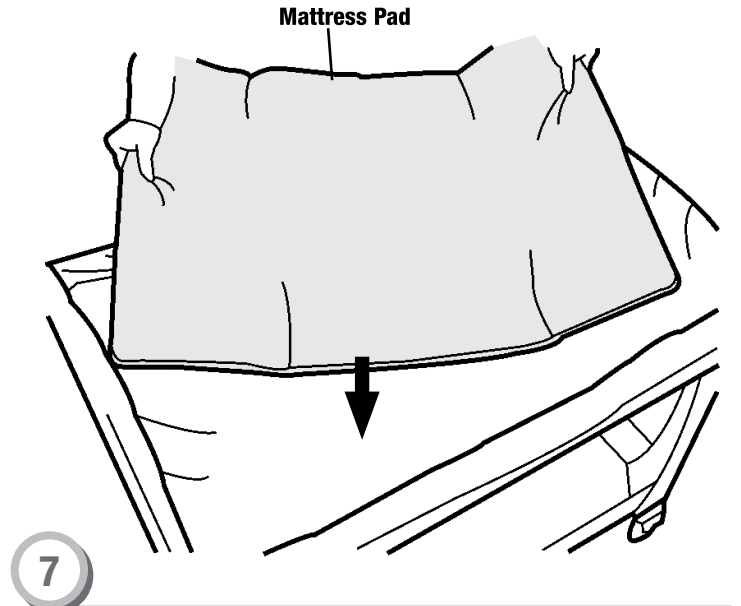
# Bassinet Assembly and Use



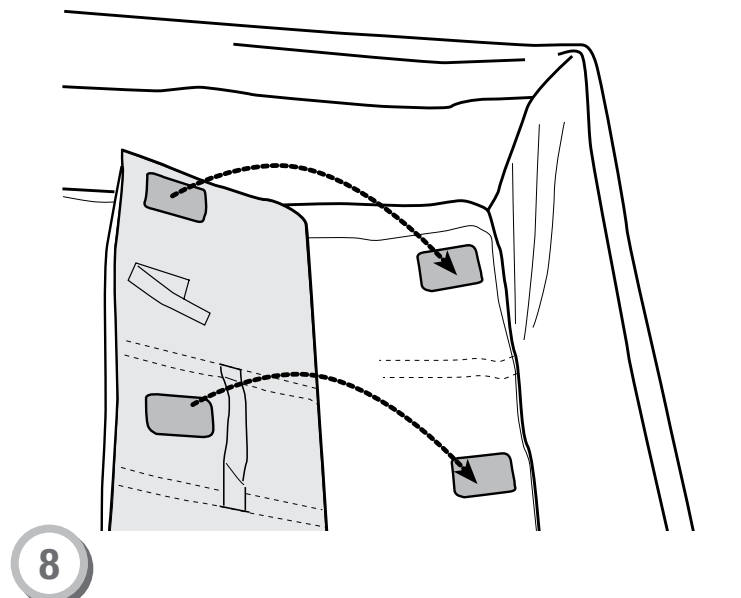
- Pull a bassinet corner clip down and “SNAP” it onto a play yard post tube.
- Make sure the bassinet corner clip is firmly attached to the play yard post tube and it is pushing up against the bottom edge of the plastic corner.
- Repeat this step to attach the bassinet corner clip to the other side of the play yard post tube.



- Stretch to fit the other end of the bassinet over the other end rail on the play yard.
- Repeat step 5 to attach the remaining two bassinet corners clips to the play yard.



- Place the mattress pad into the bassinet.



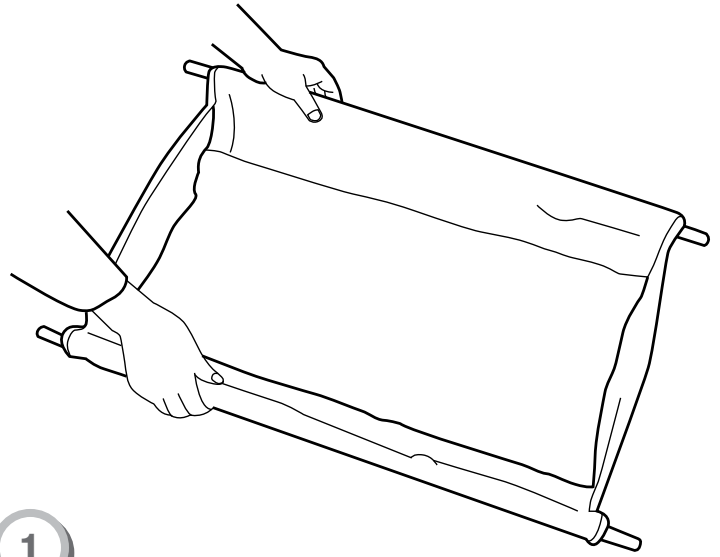
- Push down on the mattress pad to attach all the fasteners.

# Changing Table Assembly and Use

## WARNING

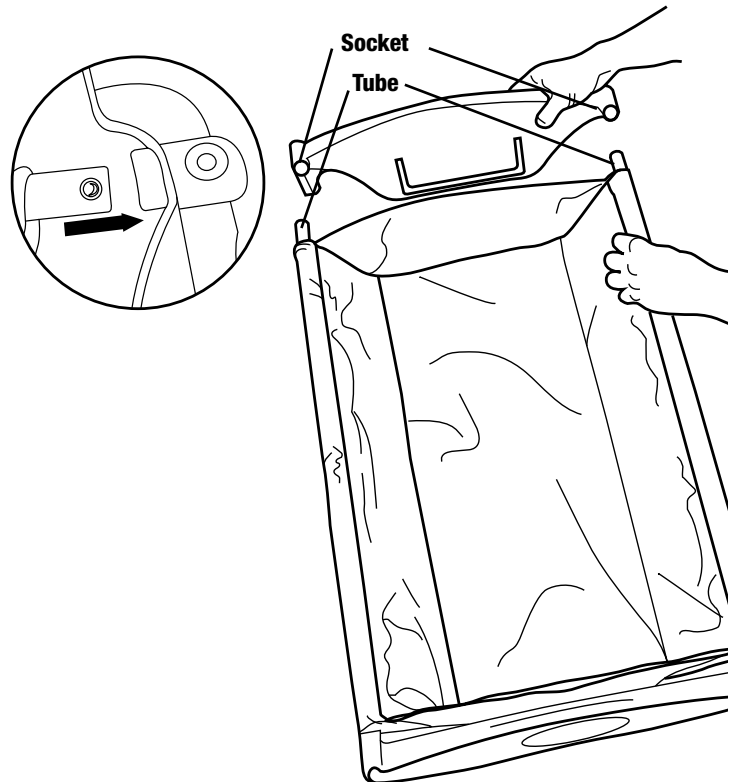
Failure to follow these warnings and the assembly instructions could result in serious injury or death. Please save manual for future use as it contains important information. Please read these instructions before use of this product.

- **FALL HAZARD** - To prevent death or serious injury, always keep child within arm's reach.
- Never leave child unattended.
- The changing table is designed for use only with this play yard. **DO NOT** use on the floor, bed, counter or other surfaces. Before each use make sure the changing table is properly secured to the play yard by pushing down firmly in the middle of the changing table.
- **DO NOT** use the changing table if it is damaged or broken.
- **DO NOT** use bassinet when using changing table.
- **IMPORTANT** - **DO NOT** remove the changing table from the play yard with your child in the changing table.
- **STRANGULATION HAZARD**  
– **Infants can suffocate:**
  - REMOVE changing table after each use.
  - Always attach changing table securely by latching changing table onto top rails of the play yard. If changing table is not secured, child in play yard/ non-full size crib can lift or shift changing table and get neck trapped between changing table and non-full size crib/ play yard frame.
- **ENTRAPMENT HAZARD**
  - Never leave the changing table in place when child is in play yard.
  - Weight limit for the changing table is 25 lbs. (11kg).
  - **NEVER** use changing table as a sleeping or play area.
  - **DO NOT** use the changing table as extra storage.



1

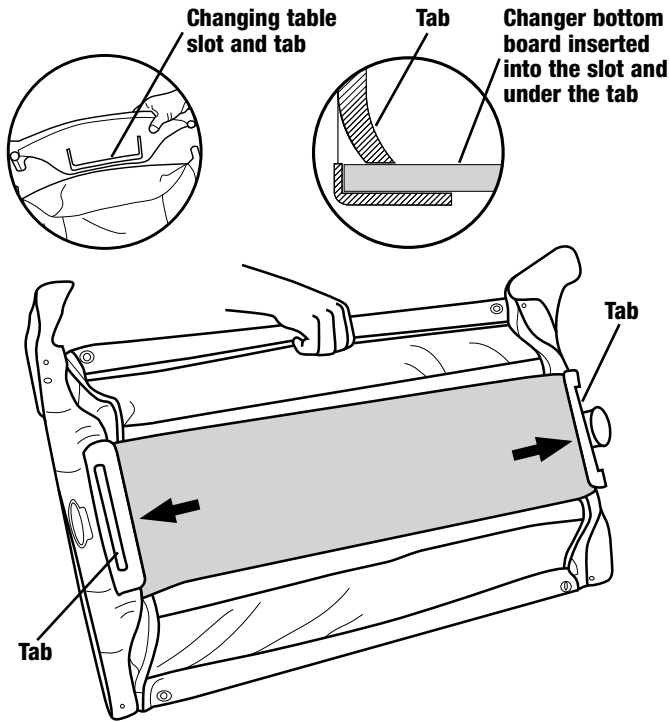
- Open the changing table and place on a flat surface.



2

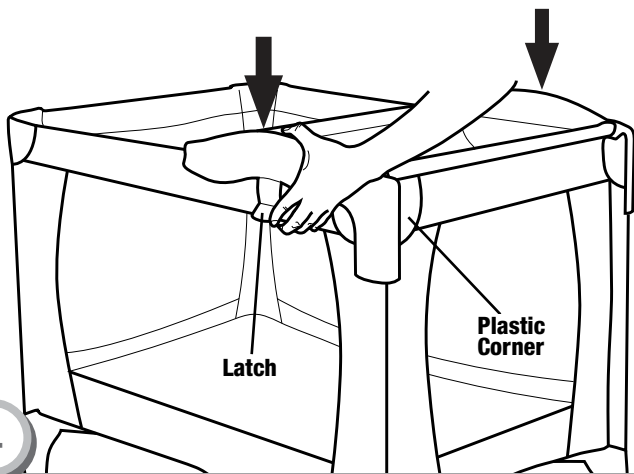
- Fit the tubes on one side of the changing table into the sockets on a changing table retainer. Push together until they **"CLICK"** into place.
- Pull on the changing table retainer to make sure they are securely attached.

# Changing Table Assembly and Use



3

- Turn the changing table over.
- Insert the changer bottom board into the slot and under the tab on the changing table restraints.

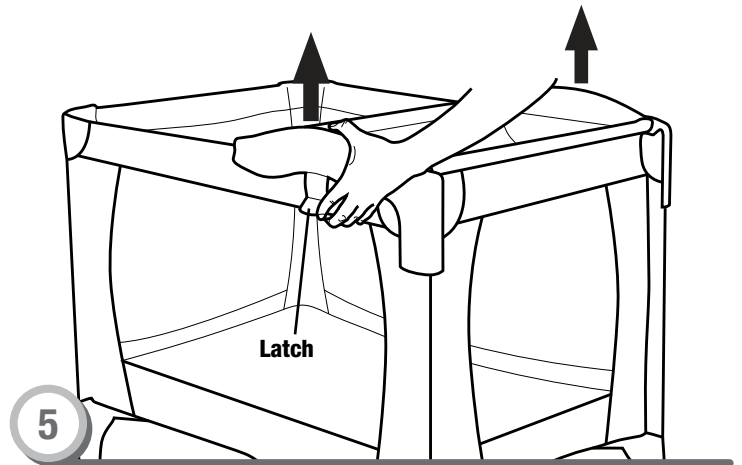


4

- Turn the changing table upright.
- Place the changing table over both plastic corners on one end of the play yard.
- Push down on the changing table to attach the latch on the sides of the changing table to the brackets beneath the top rail fabric. You will hear a "CLICK"
- Pull up on the changing table to make sure it is securely attached.

**NOTE:** Before each use, make sure the latch on the changing table is securely fastened.

**Customer Service** Tel. (800) 377-3777

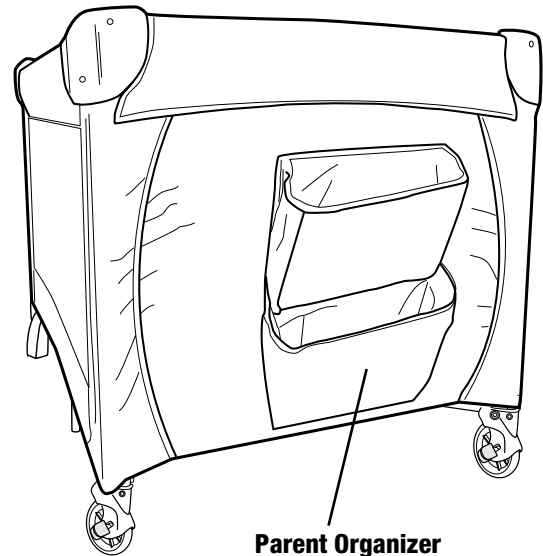


5

**To remove the changing table from the play yard.**

- Pull out the latch on the side of the changing table.
- Lift the changing table off the play yard.
- Store the changing table away from the play yard when not in use.

## Parent Organizer Use



6

- Maximum weight limit of parent organizer is 8 lbs (3.6kg).

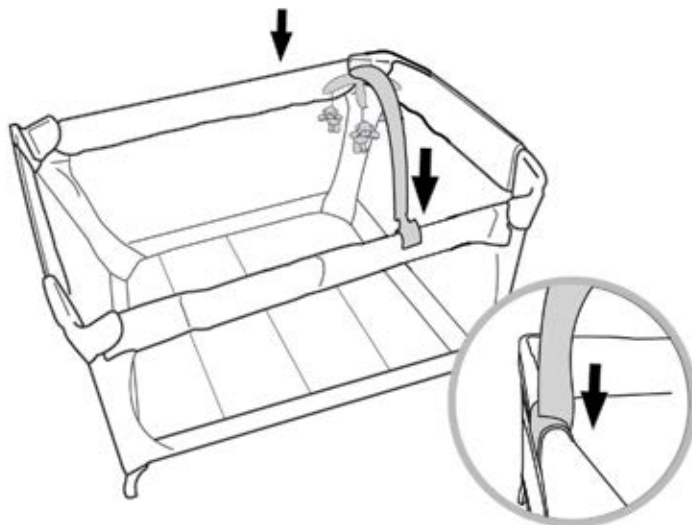
# Mobile Arm Assembly



## WARNING

### PREVENT ENTANGLEMENT INJURY

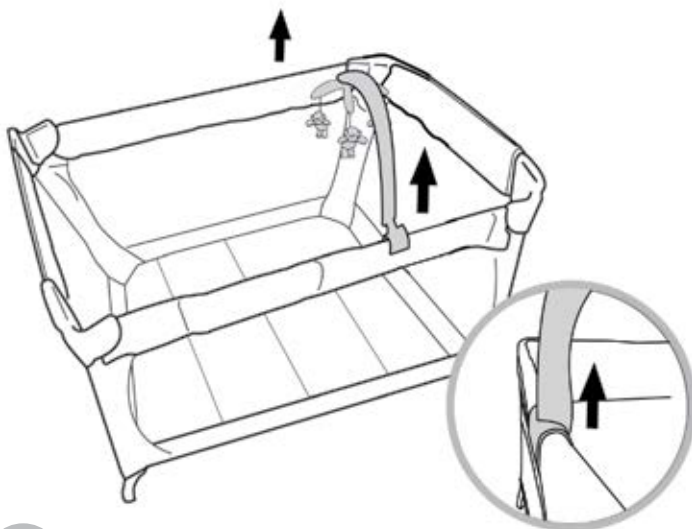
- Keep out of baby's reach.
- Remove mobile from play yard when baby begins to push up on hands and knees.
- This mobile may not attach to all crib or play yard designs, do not add additional strings or straps to a crib or play yard.
- From birth to 5 months.
- The mobile is intended for visual stimulation and is not intended to be grasped by the child.
- Always attach all provided fasteners (strings, straps, clamps, etc.) tightly to the playard according to the instructions. Check frequently.



1

#### To Attach the Mobile Arm

- Locate the mobile arm and place anywhere on top side rail.



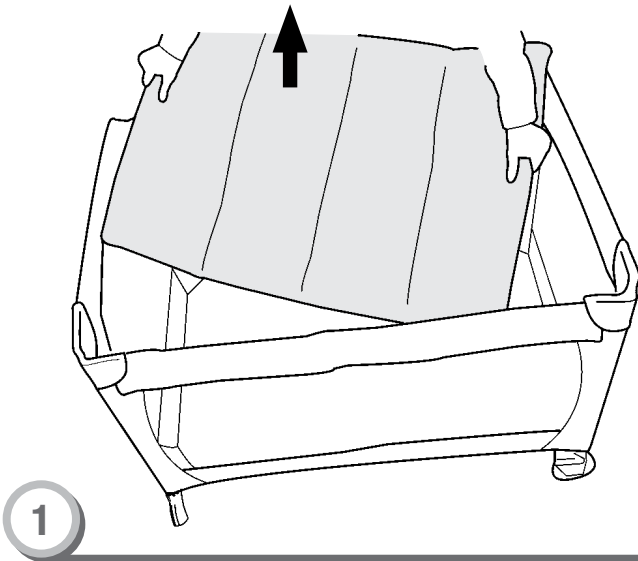
2

#### To Remove the Mobile Arm

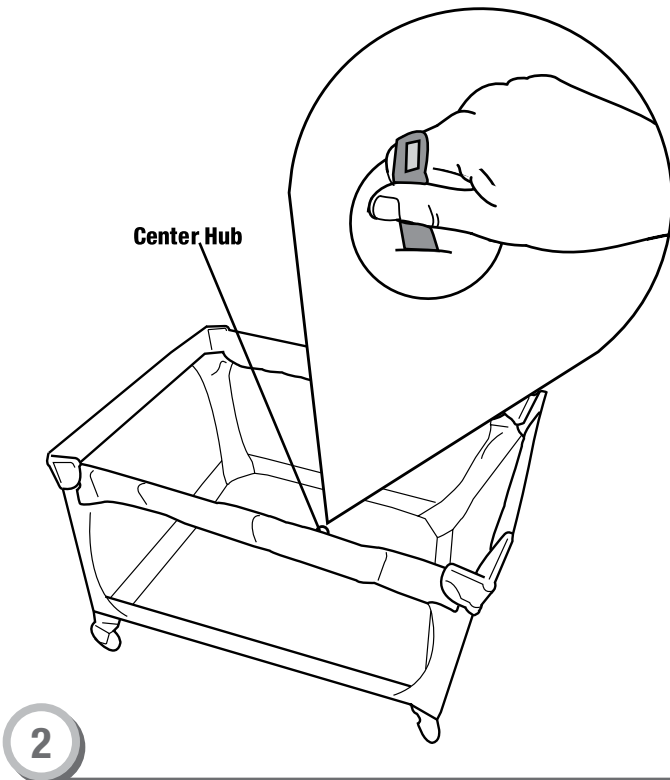
- Pull up on the base of the mobile arm and lift the mobile arm off the top side rail.

# Folding the Play Yard

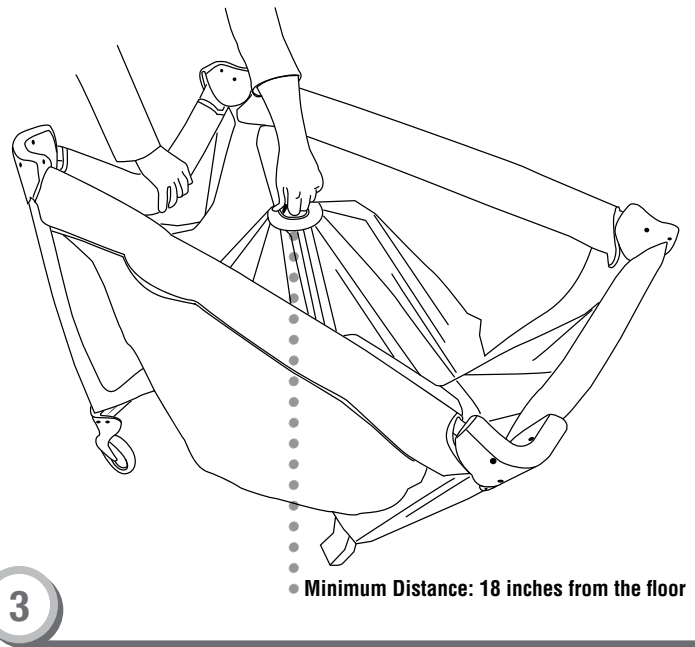
**Note:** You must remove the toy bar, changing table and bassinet before folding the play yard.



- Remove the mattress pad from the play yard.
- Lift to unfasten the fasteners on the underside of the mattress pad and remove.

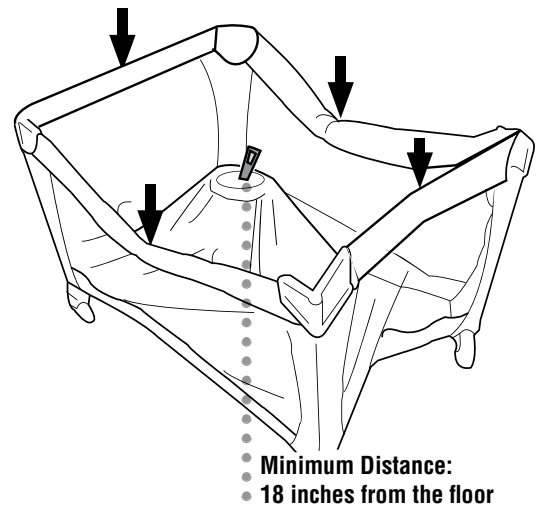


- Locate the center hub inside the play yard.
- Pull up on hub cord to release the center hub lock.

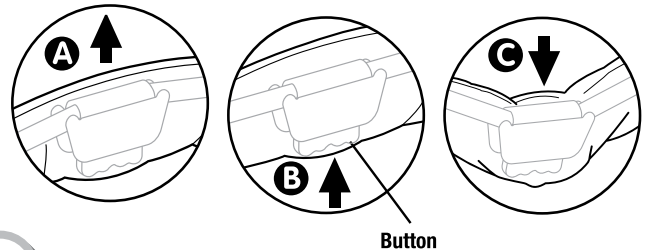


• Minimum Distance: 18 inches from the floor

- Lift the center hub.



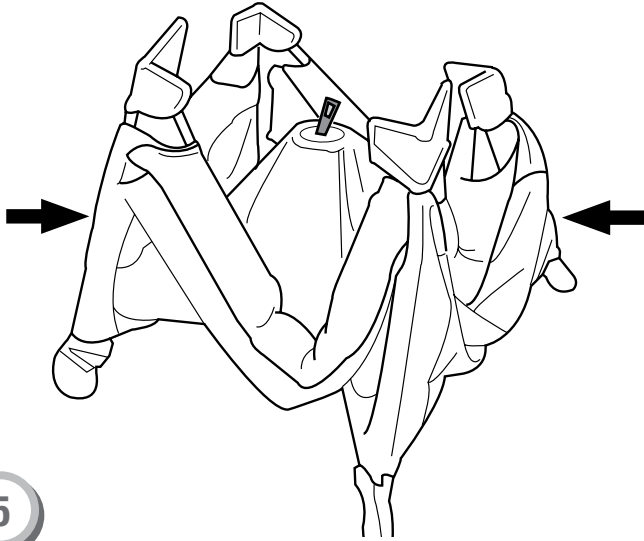
• Minimum Distance:  
• 18 inches from the floor



4

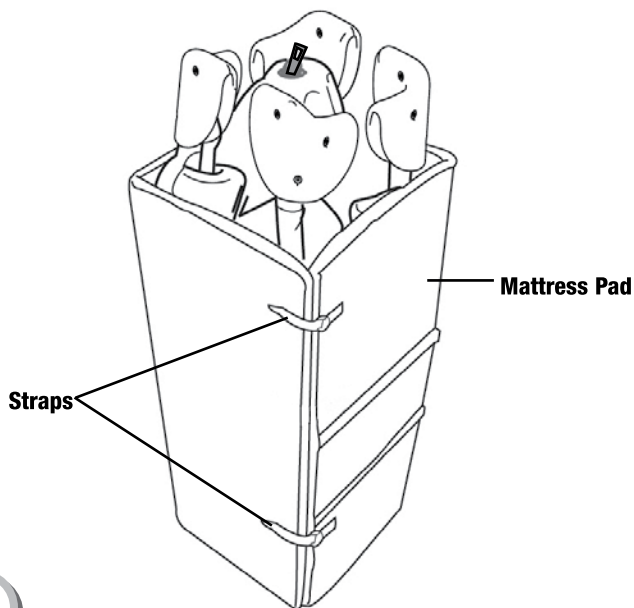
- Make sure the center hub is raised at least 18 inches.
  - Lift the latch **A** Squeeze the button on the center of a side or end rail **B** Gently push down **C**
- Note:** Latches will not release unless you lift up rail center and squeeze the button at the same time.
- Repeat this procedure to release latches on the remaining three rail centers.

## Folding the Play Yard



5

- Push all sides of play yard in toward the center hub.

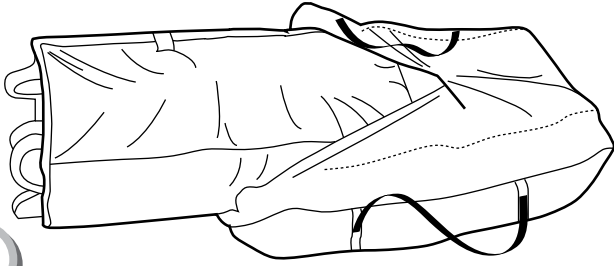


6

- Place the mattress pad on a flat surface with the soft side up.
- Place folded play yard on the mattress pad.
- Place the folded bassinet and toy bar on top of the play yard.
- Wrap the mattress around the play yard.
- Fasten the straps on the mattress pad.

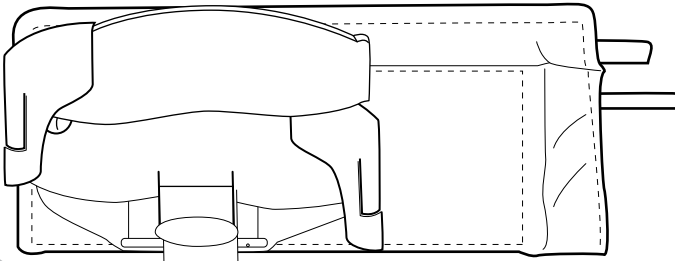
## Storage/Travel Bag

## Care



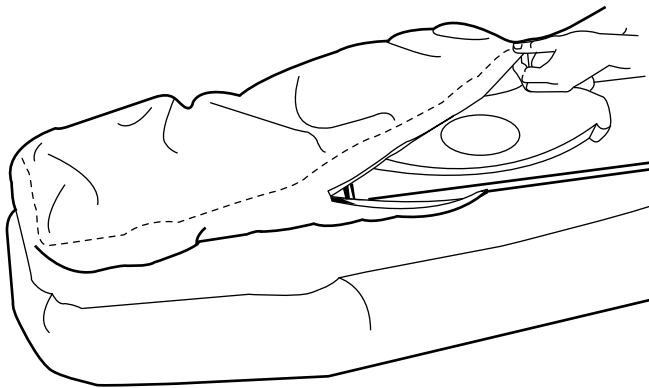
1

- Locate opening in storage bag.
- Slide the folded play yard and mattress pad into the opening in the storage/travel bag.
- Close the zipper.



2

- Disassemble the changing table.



3

- Slide changing table into travel bag next to folded play yard.

- The frame, mattress pad, changing table, toy arm, and storage bag may be wiped clean using a mild cleaning solution and a damp cloth.
- Do not use bleach.
- Do not use harsh or abrasive cleaners.
- Rinse clean with water to remove residue.
- Do not immerse the product.
- The bassinet may be hand washed in cold water using a mild cleaning solution.
- Do not use bleach.
- Do not use harsh or abrasive cleaners.
- Drip dry.



**Delta Childrens Products Corp.**  
114 West 26th Street  
New York, NY 10001  
1-800-377-3777  
[www.DeltaChildren.com](http://www.DeltaChildren.com)