

**36 X 36 PLAYARD**  
**36002/26003/26004-XXXV3**

**ASSEMBLY INSTRUCTIONS**  
**ADULT ASSEMBLY REQUIRED**

**Delta™**  
**Children's Products**

**Styles and colors may vary**



**IMPORTANT: Read all instructions before assembly and use of the product.**  
**Keep the instructions for future reference.**

**Customer Care Tel. 1-(800)-377-3777**

**(C)**

**[www.DeltaChildrensProducts.com](http://www.DeltaChildrensProducts.com)**

DCP Cat # 09-11-12-V3

# Consumer Information



## WARNING

**WARNING: Failure to follow these warnings and the instructions could result in serious injury or death (keep the instructions for future reference).**

**Before assembling this playard read and understand the instructions, incorrect assembly may make the playard unsafe.**

### **SUFFOCATION HAZARD – Infants can suffocate:**

- In gaps between a mattress (too small or too thick) and product sides.
- On soft bedding
- NEVER add a mattress, pillow, comforter or padding. Use ONLY the pad provided by the manufacturer.
- **Never leave infant in product with sides down.** Infant may roll into spaces between pad and loose mesh side causing suffocation.
- Strings can cause strangulation! Never place items with a string around a child's neck such as hood strings or pacifier cords. Never suspend strings over product or attach strings to toys.
- The product, including side rails, must be fully erected prior to use. Make sure latches are secure.
- Never leave infant in the product with the top rail latches unlatched in the unlocked position. Be sure top rail latches are raised and latched into the locked position whenever the child is in the product.
- Discontinue use of the product when child is able to climb out or reaches the height of 35 in (890 mm).
- Never place product near a window where cords from blinds or drapes can strangle a child. DO NOT place the playard near trailing cables or hanging cords.
- Always provide the supervision necessary for the continued safety of your child. When used for playing, never leave child unattended.
- DO NOT use the playard if the fabric on the side rail or end rails has been ripped or torn through.
- Use only the pad provided by the manufacturer. Playard pad dimensions are 37.25 in (946.15mm) long by 37.25 in (946.15mm) wide.
- To reduce the risk of Sudden Infant Death Syndrome (SIDS), pediatricians recommend healthy infants be placed on their backs to sleep, unless otherwise advised by your physician.
- Never use plastic shipping bags or other plastic film as mattress covers not sold and intended for that purpose. They can cause suffocation.
- Never use a water mattress with this product.
- Keep medication and small items that a child could choke on away from the playard.
- Child can become entrapped and die when improvised netting or covers are placed on top of a playard. Never add such items to confine child in playard.
- When child is able to pull to standing position, remove bumper pads, large toys, and other objects that could serve as steps for climbing out.
- Use this product with only one child at a time.

# Consumer Information

## INFORMATION

**IMPORTANT!** Before assembly or each use, inspect this product for damaged hardware, loose joints, missing parts or sharp edges. DO NOT use if any parts are missing or broken.

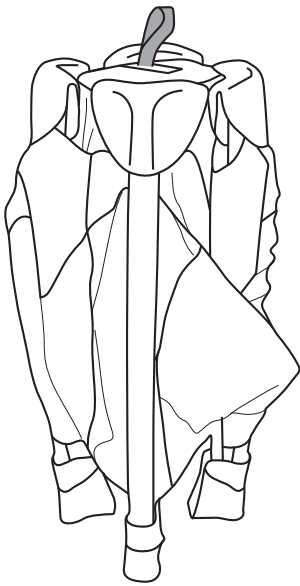
Contact manufacturer for replacement parts and instructions if needed. Never substitute parts.

Make sure all locking devices are engaged.

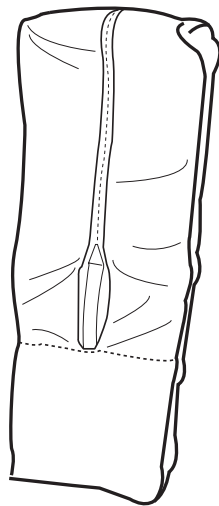
- Adult assembly is required.

## Parts

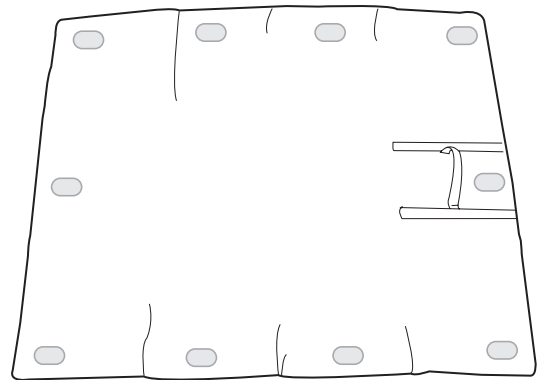
**IMPORTANT!** Please remove all parts from the package and identify them before assembly.



**Playard**

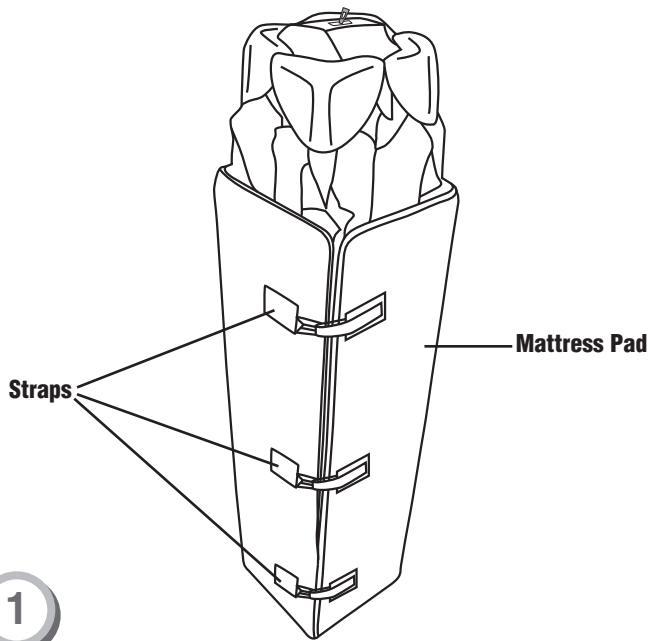


**Travel and Storage Bag**

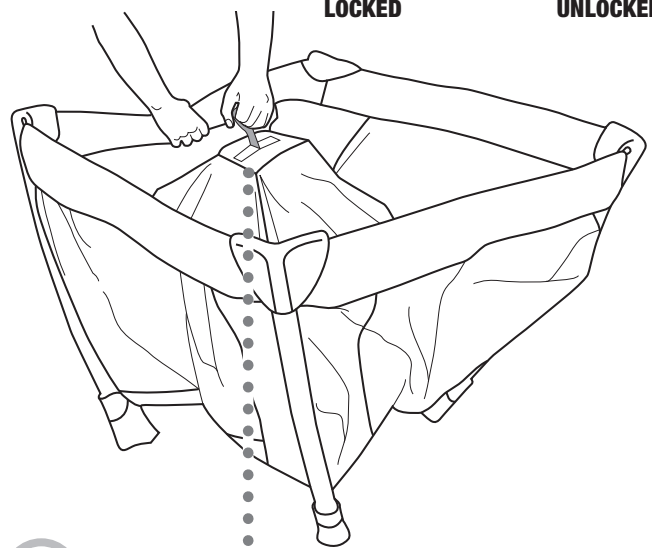
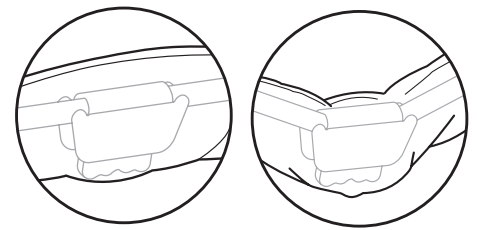


**Mattress Pad**

# Playard Assembly and Use



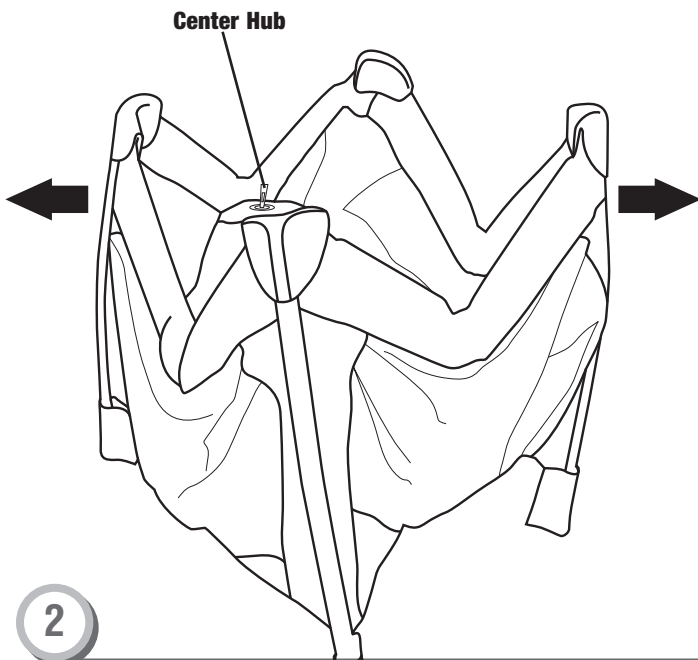
- Unfasten the straps on the mattress pad.
- Remove the playard from inside the mattress pad.



• Minimum Distance: 18 inches from the floor

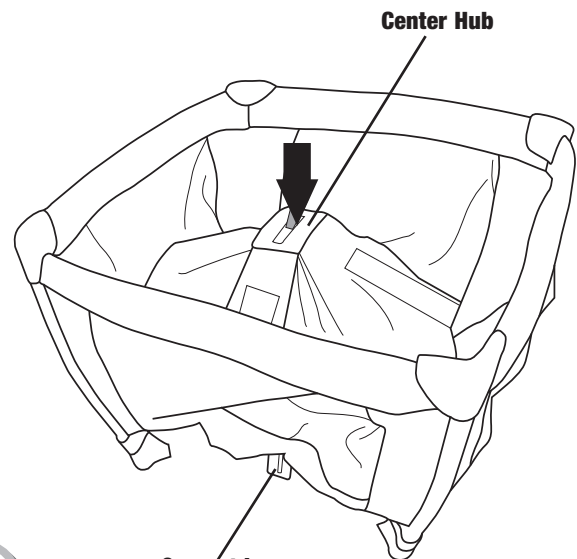
3

- Make sure the center hub is raised at least 18 inches.
- Grasp the center of each side rail then lift to “snap” into locked position.
- If “snapping” of the side rail locks does not occur easily, recheck that the center hub is up to recommended height before proceeding.



- Carefully pull the side rails out.  
**IMPORTANT!** Do not push down on the center hub. you will do this in step 4.

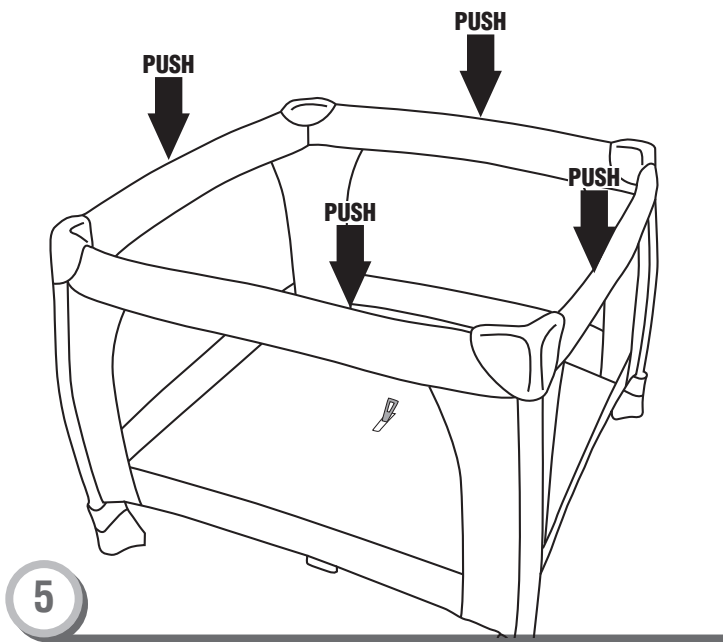
2



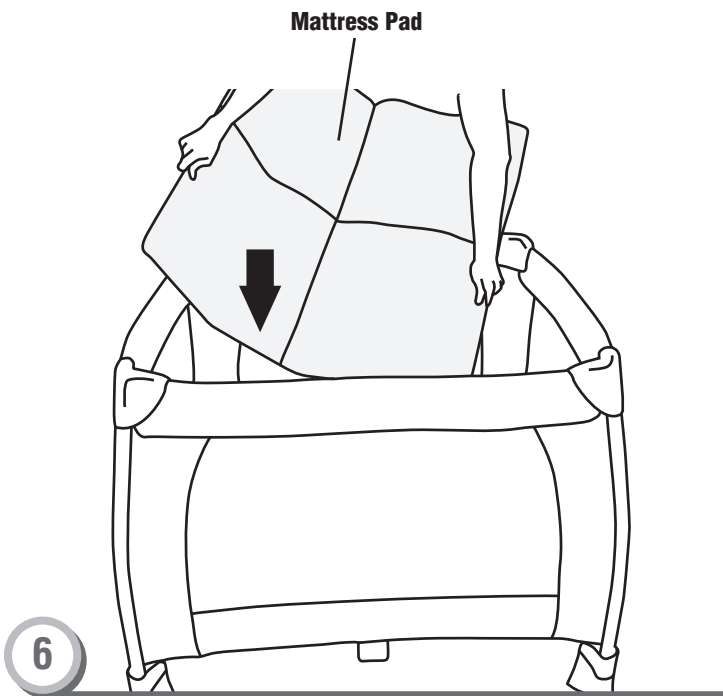
4

- Press down on the center hub to lock it into the use position.  
**IMPORTANT!** You may need to pull the support legs outwards to allow center hub to be pushed down.

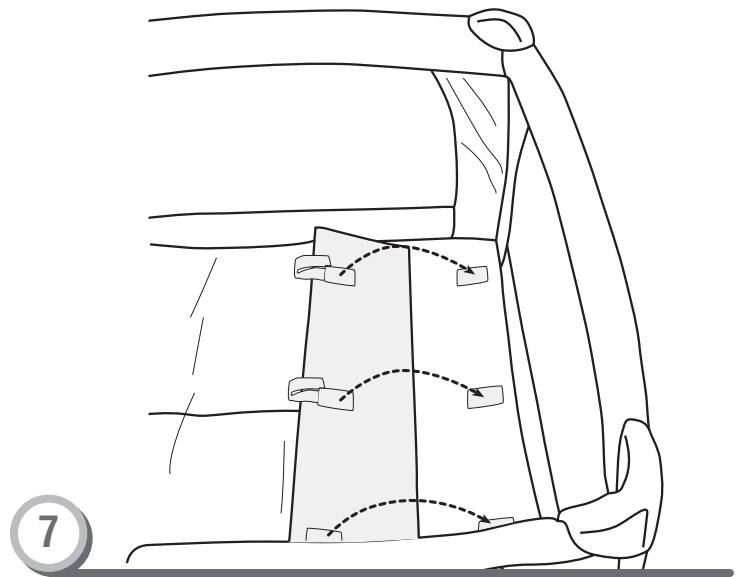
# Playard Assembly and Use



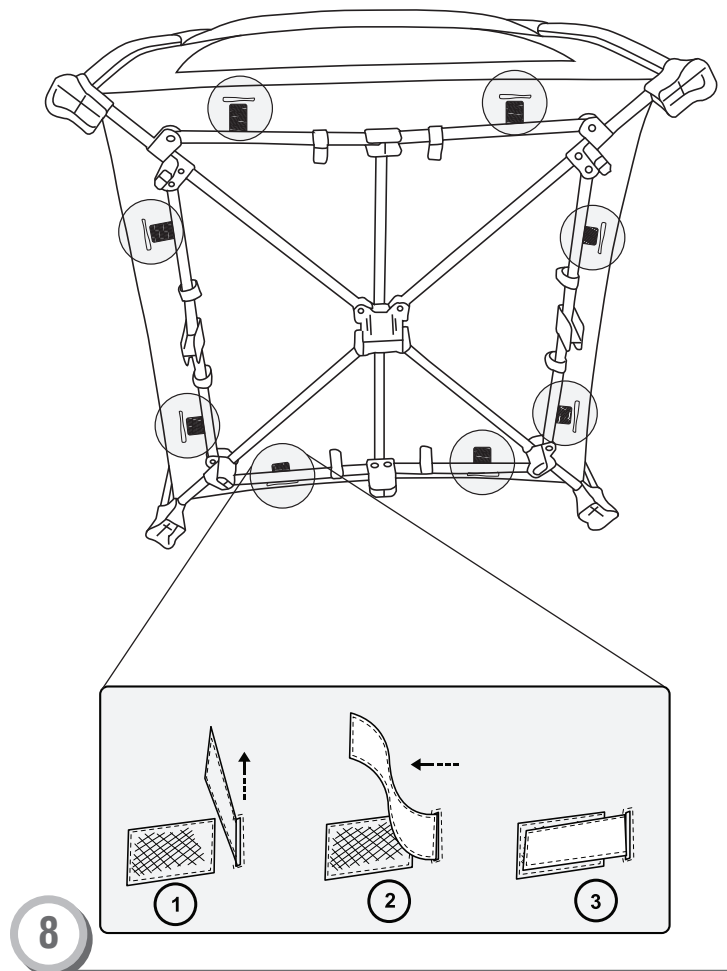
**IMPORTANT!** Check to be sure the playard frame is secure. Push down on the side rails.



• Place mattress pad in the playard.

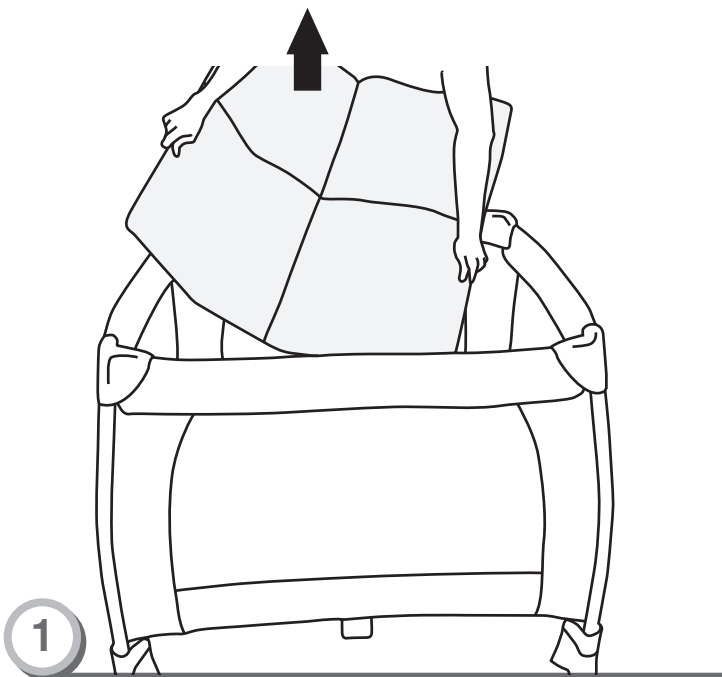


• Push down on the mattress pad to attach all hook and loop fasteners.



• Pull the hook and loop straps through the slots at the bottom of the playard. Fasten straps as shown in illustration. **WARNING:** Make sure both hook and loop straps are firmly attached.

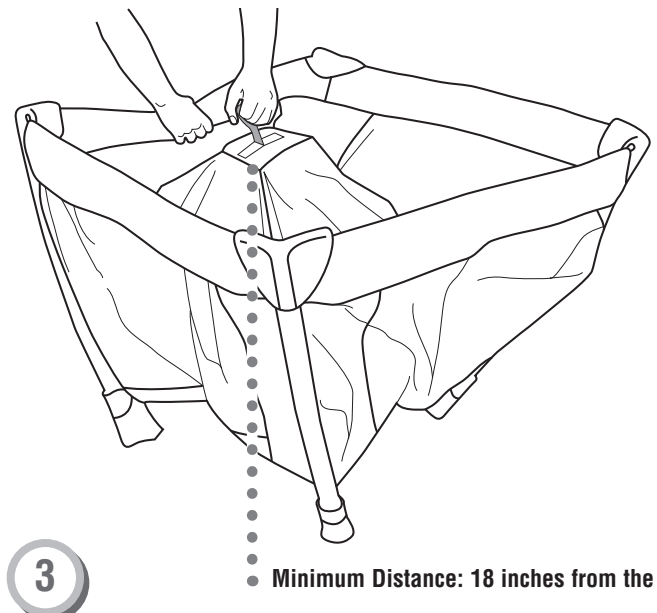
# Folding the Playard



1

- Remove the mattress pad from the playard.
- Lift to unfasten the fasteners on the underside of the mattress pad and remove.

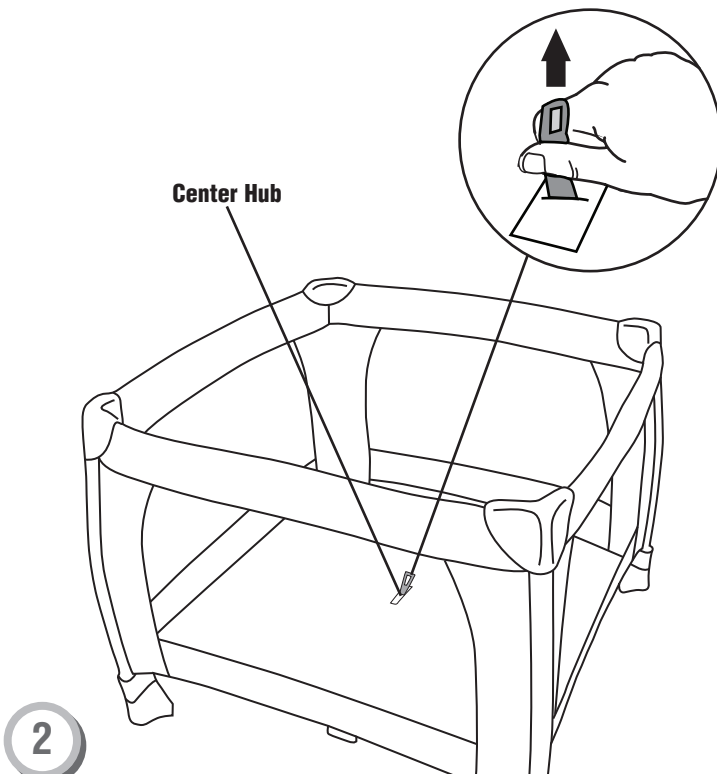
**Note:** Remember to undo hook and loop straps from bottom of the playard floor.



3

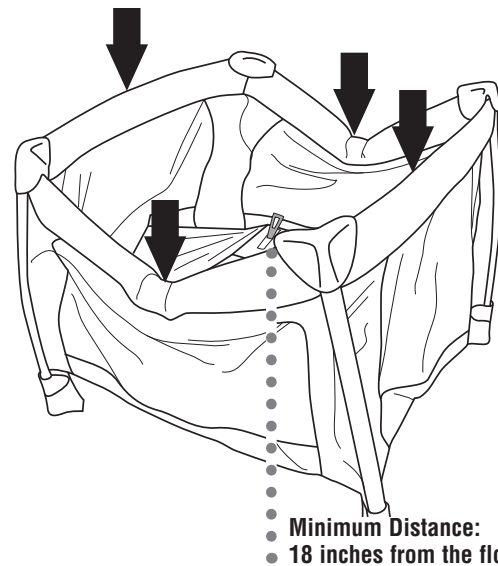
Minimum Distance: 18 inches from the floor

- Lift the center hub.

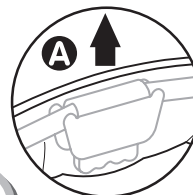


2

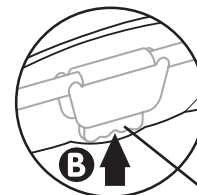
- Locate the center hub inside the playard.
- Pull up on hub strap to unlock center hub.



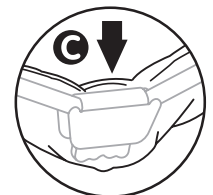
Minimum Distance:  
18 inches from the floor



A



B



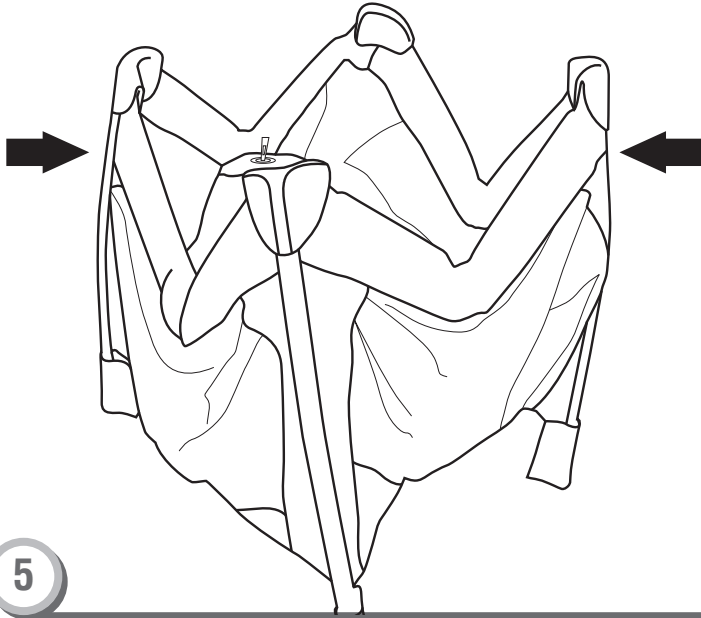
C

Button

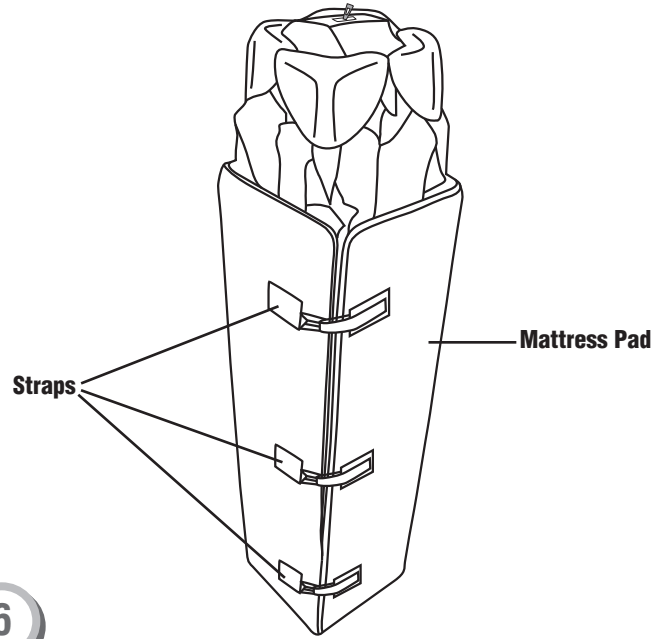
4

- Make sure the center hub is raised at least 18 inches.
- Lift the latch **A**. Squeeze the button on the center of a side rail **B**. Gently push down **C**.
- Note:** Latches will not release unless you lift up rail center and squeeze the button at the same time.
- Repeat this procedure to release latches on the remaining three rail centers.

# Folding the Playard

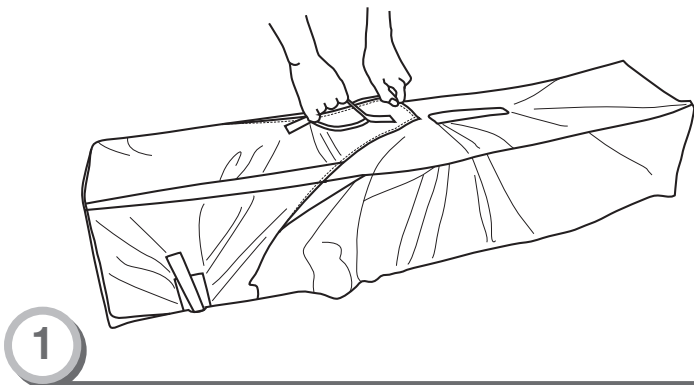


- Push all sides of playard in toward the center hub.



- Place the mattress pad on a flat surface with the soft side up.
- Place folded playard on the mattress pad.
- Wrap the mattress around the playard.
- Fasten the straps on the mattress pad.

## Storage/Travel Bag



- Locate opening in storage bag. Locate carry handle on mattress. Align the opening with handle.
- Slide the folded playard and mattress pad into the opening in the storage/travel bag.
- Close the zipper.

## Care

- The frame, mattress pad, and storage bag may be wiped clean using a mild cleaning solution and a damp cloth.
- Do not use bleach.
- Do not use harsh or abrasive cleaners.
- Rinse clean with water to remove residue.
- Do not immerse the product.
- Do not use bleach.
- Do not use harsh or abrasive cleaners.
- Drip dry.

Manufactured for and distributed by:

**Delta**  
Children's Products™

114 West 26th Street, New York, NY 10001



**Customer Service**

**Tel. 1-(800)-377-3777**

**[www.DeltaChildrensProducts.com](http://www.DeltaChildrensProducts.com)**

**[customerservice@DeltaChildrensProducts.com](mailto:customerservice@DeltaChildrensProducts.com)**

**MADE IN CHINA**