

CITY SLEEPER BASSINET



INSTRUCTION MANUAL

ADULT ASSEMBLY REQUIRED

25601

STYLES AND COLORS MAY VARY



**▲ WARNING:
CHOKING HAZARD**

Adult assembly required because of small parts. Keep assembly parts out of reach of children under 3 years.

Required Tools: 4 "AA" Batteries (Not included), Screwdriver (Not included)

Read all instructions BEFORE assembly and USE of product
KEEP INSTRUCTIONS FOR FUTURE USE.

Customer Experience Center
phone: (646) 435-8726
email: gcs@DeltaChildren.com


DELTA CHILDREN
www.DeltaChildren.com

DCP-IM-01052021-V1

Consumer Information



WARNING

WARNING: Do not use this bassinet if you cannot exactly follow the accompanying instructions. Failure to follow these warnings and instructions could result in serious injury or death.

- **Read all instructions before assembling unit.**

KEEP INSTRUCTIONS FOR FUTURE USE.

DO NOT USE THIS UNIT IF THE INSTRUCTIONS CANNOT BE STRICTLY FOLLOWED.

- Before each usage or assembly, inspect unit for damaged hardware, loose joints, missing parts or sharp edges.
- **NEVER** use this product if there are any loose or missing fasteners, loose joints, broken parts, or torn mesh/fabric. Check before assembly and periodically during use. Contact Delta Children Customer Service Department at 1-646-435-8726 for replacement parts, repair or instructions.

SUFFOCATION HAZARD: Infants have suffocated:

- On soft bedding.
- In gaps between an extra padding, a mattress (too small or too thick) and product sides.
- Use only the pad provided by the manufacturer that is no thicker than 25 mm (1 in) and is of such a size that, when pushed against any side of the product, it does not leave a gap of more than 25 mm (1 in) between the mattress and sides.
- **NEVER** add a pillow, comforter or another mattress for padding.
- Remove any tools or excess parts including plastic packaging from bassinet vicinity after assembly.
- If a sheet is used with the pad, use only the one provided by the manufacturer or one specifically designed to fit the dimensions of the bassinet/criadle.
- To reduce the risk of SIDS, pediatricians recommend healthy infants be placed on their back to sleep, unless otherwise advised by your physician.
- Never use plastic shipping bags or other plastic film as a mattress covers not sold and intended for that purpose. They can cause suffocation.
- **DO NOT** place bassinet near a window where cords from blinds or drapes may strangle a child. Child may fall out of window.
- **DO NOT** place cords, straps or similar items that could become wound around a child's neck in or near the bassinet.

FALL HAZARD: To help prevent falls, **DO NOT** use this product when the infant begins to push up on hands and knees or has reached manufacturer's recommended maximum weight of 6.8kg (15lbs), whichever comes first.

- To reduce the risk of SIDS, pediatricians recommend healthy infants be placed on their backs to sleep, unless otherwise advised by your physician.
- Always attach all provided fasteners tightly according to the instructions. Check frequently. Do not use if there are any loose or missing parts or signs of damage. Do not substitute parts. Contact the manufacturer for replacement parts.
- Use bassinet with only one child at a time.
- Strings can cause strangulation! **DO NOT** place items with a string around a child's neck, such as hood strings or pacifier cords. **DO NOT** suspend strings over a product or attach strings to toys.
- Toys are not to be "mouthed" by the baby and should be positioned clearly out of reach of the baby's face and mouth.
- **DO NOT** place medication, small toys, small items, cords, straps or similar items that could become wound around the child's neck in or near this product and do not place product near a window, patio door, heater, or power outlet.

Consumer Information



WARNING

Read all instructions **BEFORE** assembly and **USE** of product. **KEEP INSTRUCTIONS FOR FUTURE USE.**

CAUTION - Changes or modifications not expressly approved by the party responsible for compliance could void the user's authority to operate the equipment.

NOTE: This equipment has been tested and found to comply with the limits for a class B digital device, pursuant to Part 15 of the FCC Rules. These limits are designed to provide reasonable protection against harmful interference in a residential installation. This equipment generates, uses and can radiate radio frequency energy and, if not installed and used in accordance with the instructions, may cause harmful interference to radio communications. However, there is no guarantee that interference will not occur in a particular installation. If this equipment does cause harmful interference to radio or television reception, which can be determined by tuning the equipment off and on, the user is encouraged to try to correct the interference by one or more of the following measures:

- Reorient or relocate the receiving antenna.
- Increase the separation between the equipment and receiver.
- Connect the equipment into an outlet on a circuit different from that to which the receiver is connected.
- Consult the dealer or experienced radio/TV technician for help.



Before returning this product to the store! Let's see if we can assist you!

- **Not sure how to assemble our product?**

Visit our site for easy to follow instructions along with some Tricks and Tips assembly video's
<https://www.deltachildren.com/pages/instructions>

- **If you are missing a piece or have a damaged part**

Please contact our Consumer Experience Center for assistance at 646-435-8726.
To better assist you please have your Style #, Lot # and Manufacturer Date information available
along with the part number that you need assistance with.

- **In the event we do not have a replacement part available**

You may need to return your product to the retailer for an exchange or refund.

- **Warranty**

In order to protect your investment, don't forget to register your product.
You may also wish to consider purchasing our extended warranty.
Visit <https://www.deltachildren.com/pages/extended-warranty> for more details.

- **Please note:**

"All Final", "As Is" or Third Party/Liquidator sales are not covered under our Limited Manufacturer
Warranty..

DELTA CHILDREN

LIMITED MANUFACTURER WARRANTY

This Delta product is warranted to be free from defects for a period of 90 days from the date of purchase under normal use. This warranty extends only to the original retail purchaser and is valid only when supplied with proof of purchase, or if received as a gift, when the registration is on file with Delta. This limited manufacturer warranty does not cover the following:

- Products purchased as floor models or samples.
- Items purchased on an “as-is” basis, as a second hand product, or as a resale product.
- Items purchased at a Final sale, a “Going out of Business” sale, or a Liquidation sale.

TO REGISTER YOUR PRODUCT for important safety alerts and updates to your product please visit www.deltachildren.com

TO REPORT A PROBLEM, please log on to www.deltachildren.com and click the Consumer Care Tab, or contact us by phone at 646-435-8726

Date of Purchase: _____ (you should also keep your receipt)

EXTENDED WARRANTY

DON'T MISS YOUR CHANCE TO BE COVERED FOR ALL OF LIFES MISHAPS!

With Delta's Extended Warranty, you're covered for mechanical failure from normal use or if your item stops working due to normal wear and tear, plus all those unexpected surprises.

2 YEARS OF PROTECTION

For Additional Information:

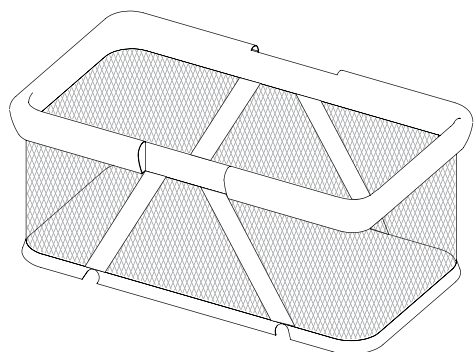
Simply visit our Website, register your product, and add the Extended Warranty

<https://www.deltachildren.com/pages/product-registration>

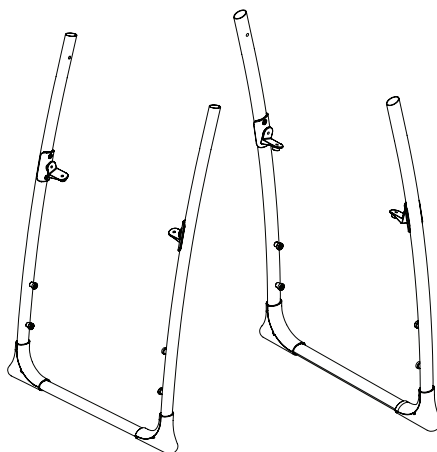
Extended Warranty only available in the following States: Arkansas, Colorado, Delaware, District of Columbia, Georgia, Idaho, Illinois, Indiana, Iowa, Kansas, Kentucky, Louisiana, Maryland, Michigan, Mississippi, Missouri, Nebraska, Nevada, New Hampshire, New York, North Carolina, North Dakota, Pennsylvania, Rhode Island, South Dakota, Tennessee, Utah, West Virginia

PARTS

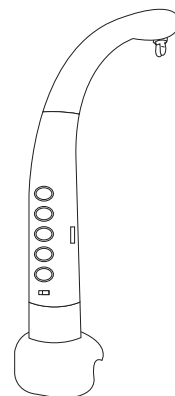
IMPORTANT! Please remove all parts from the package and identify them before assembly.



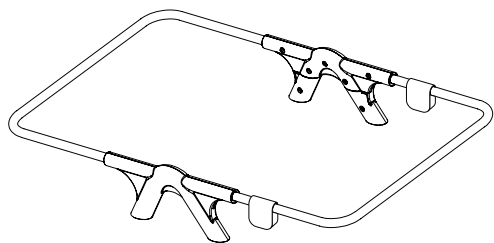
Fabric Liner



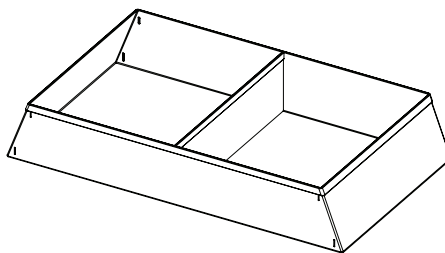
Base Legs



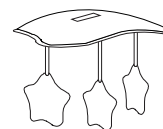
Clip On Mobile Arm



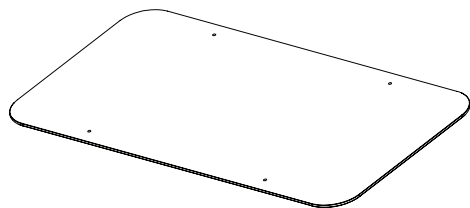
Top Support Tube



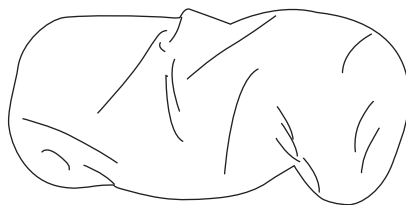
Fabric Storage Liner



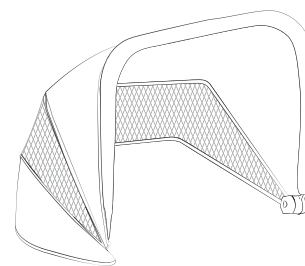
Canopy Toy Mobile



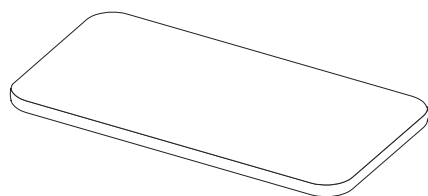
Mattress Support Board



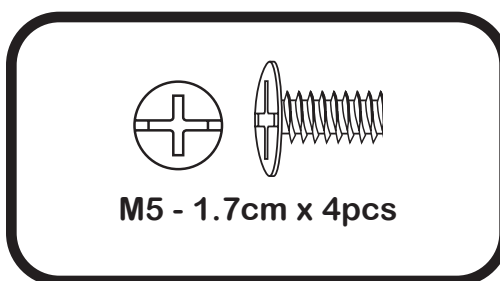
Sheet



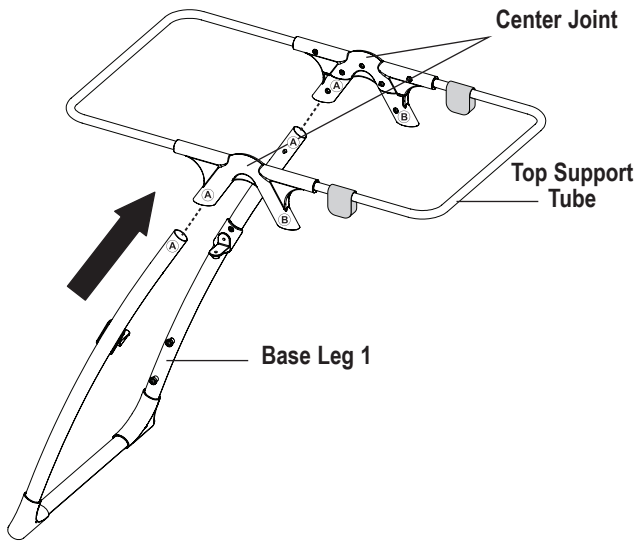
Canopy



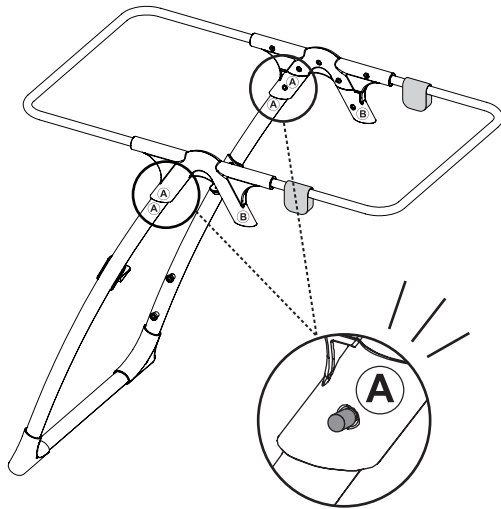
Mattress Pad



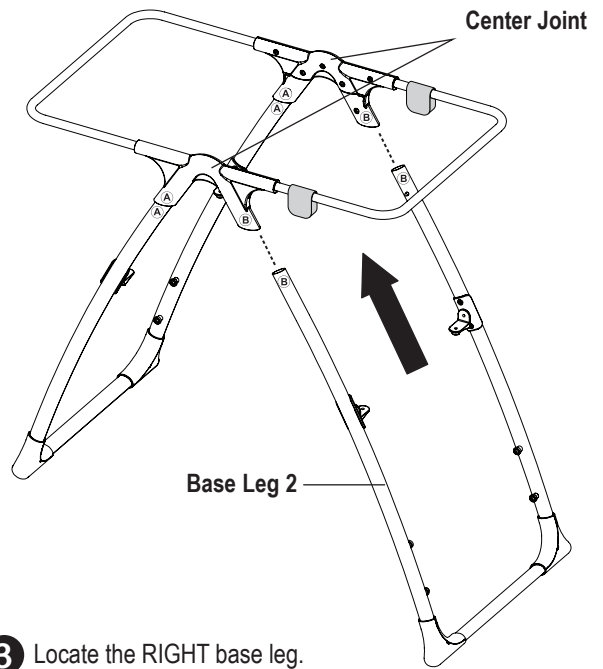
FRAME ASSEMBLY



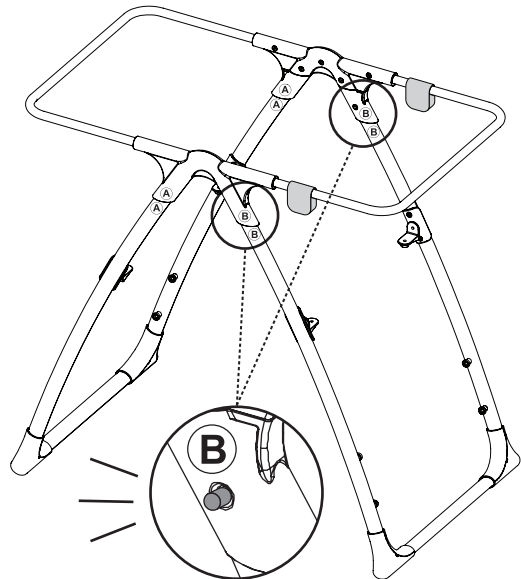
- 1 Locate the top support tube and LEFT base leg.



- 2 Align the base leg "A" to "A" on the top support bassinet and insert it into the center joint until the valco pin "CLICKS" into a fully locked position.



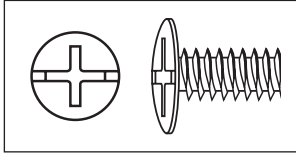
- 3 Locate the RIGHT base leg.



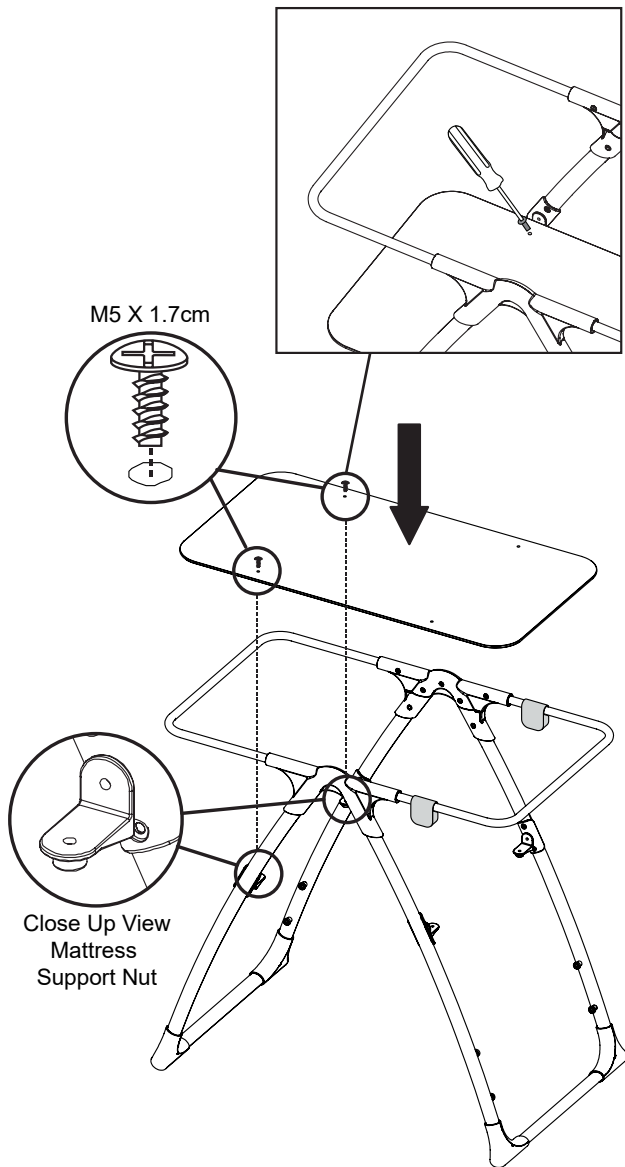
- 4 Insert the base leg "B" to "B" on the top support bassinet and insert it into the center joint until the valco pin "CLICKS" into a fully locked position.

MATTRESS BOARD ASSEMBLY

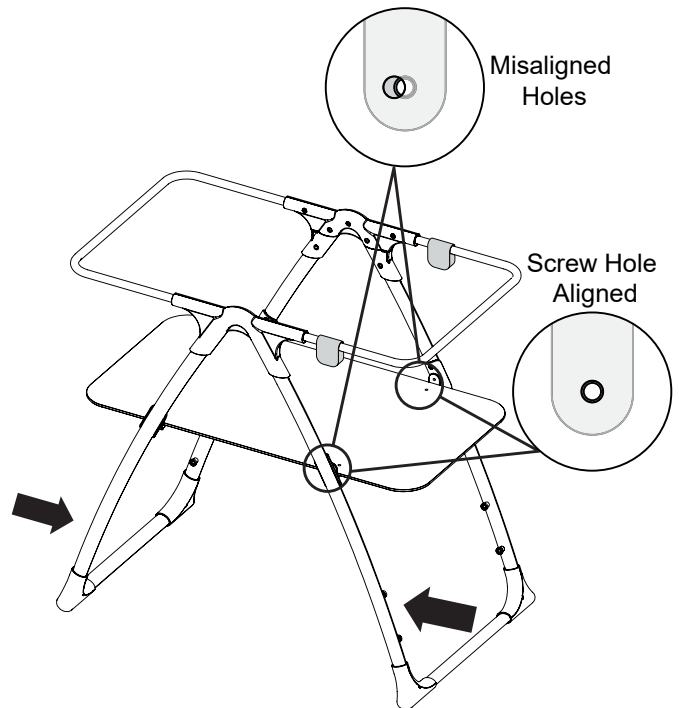
M5 Screw – 1.7cm – 4x – Actual Size



- 1 Locate the mattress support board, four (x4) M5 X 1.7cm screws, and a Phillips screwdriver (not included).

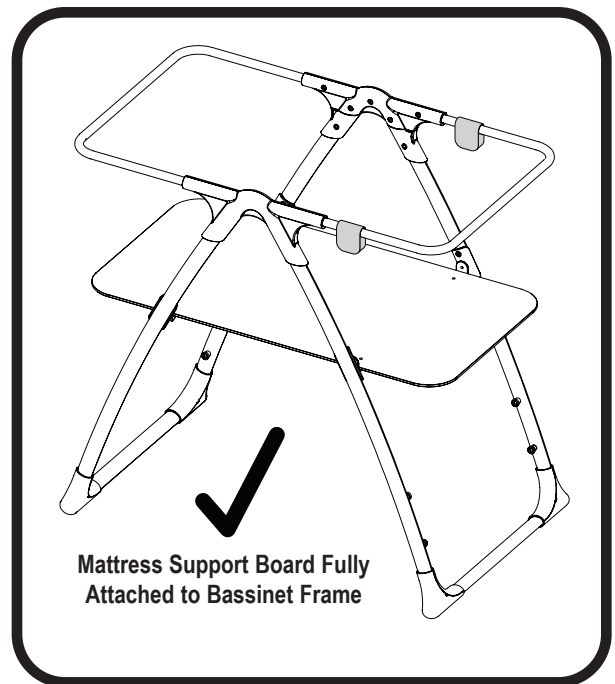


- 2 Align and attach the left two holes of the mattress support board onto the plastic mattress board support nuts until fully fastened. Using a Phillips screwdriver and four (x4) M5 X 1.7cm screws, tighten the mattress board onto the plastic mattress board support nuts.

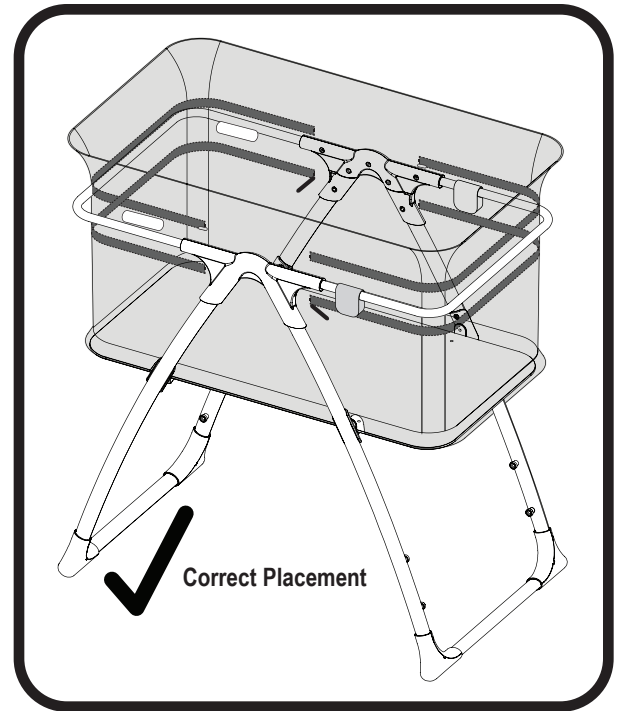
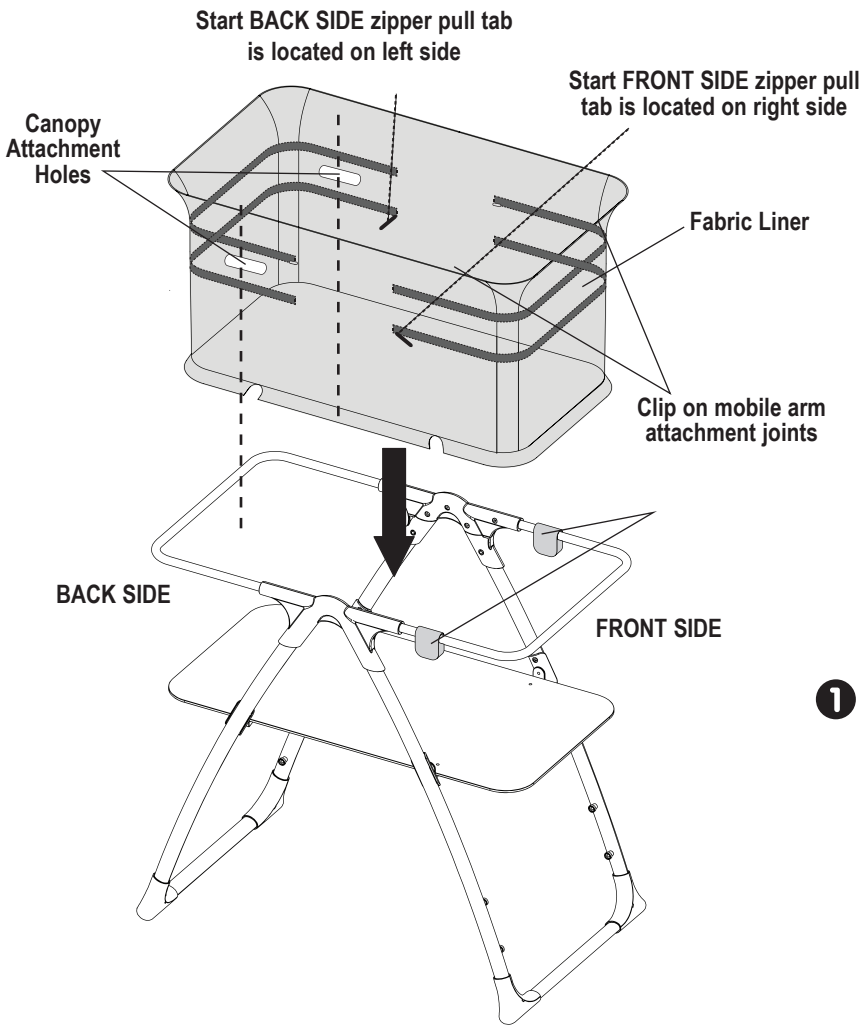


- 3 NOTE: If the holes of the mattress support board are not aligning correctly on the opposite side, try to squeeze both ends of the base legs until they are aligned.

Align and attach the right two holes of the mattress support board onto the plastic mattress board support nuts until fully fastened.

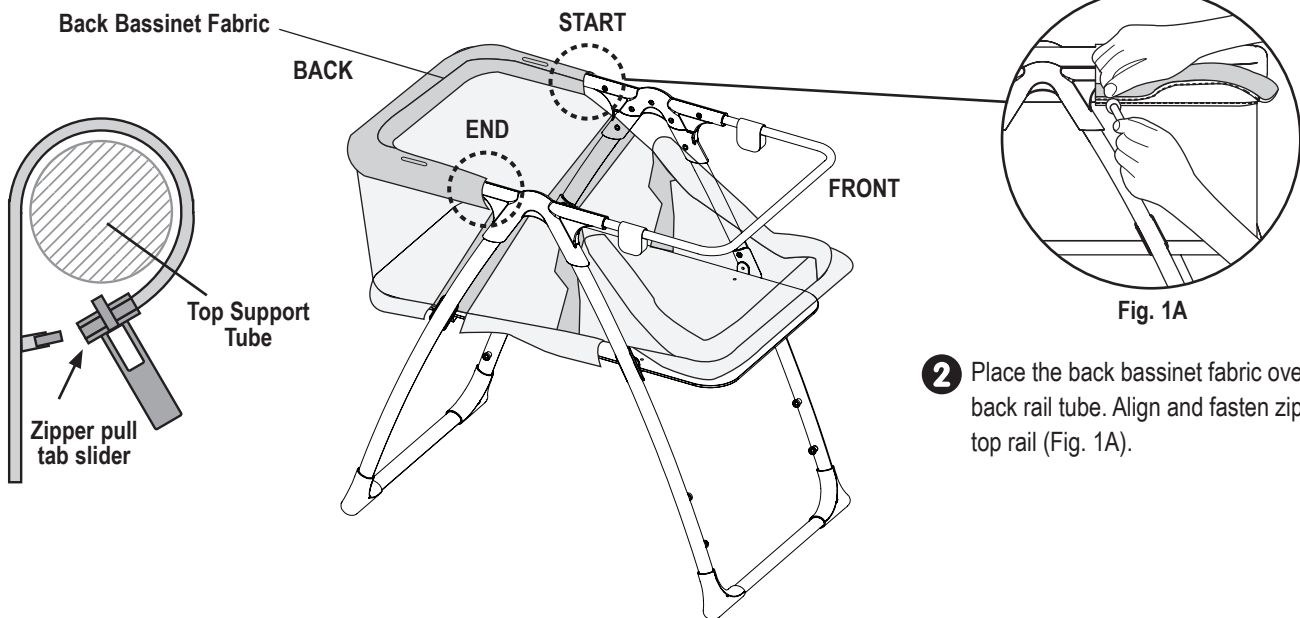


FABRIC LINER ASSEMBLY



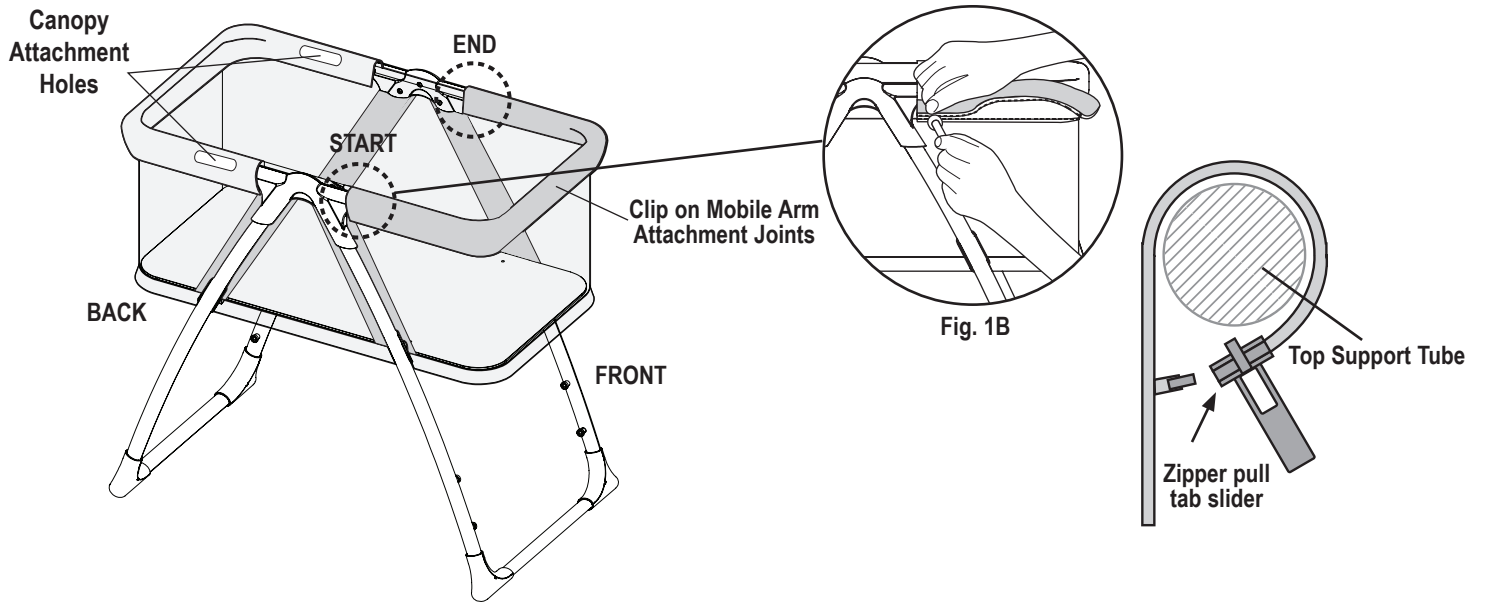
- 1 Locate the fabric liner.

NOTE: One side of the fabric liner has the canopy attachment holes and should face the opposite side of the clip on mobile arm attachment joints.



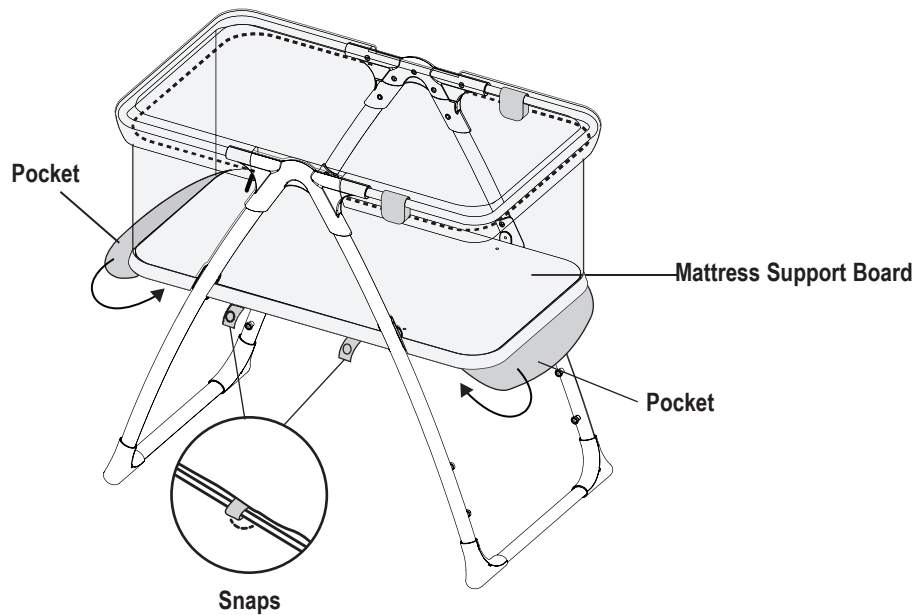
- 2 Place the back bassinet fabric over the back rail tube. Align and fasten zipper to top rail (Fig. 1A).

FABRIC LINER ASSEMBLY



- 3** Place the front bassinet fabric over the front rail tube. Align and fasten zipper to top rail (Fig. 1B) until fully zipped.

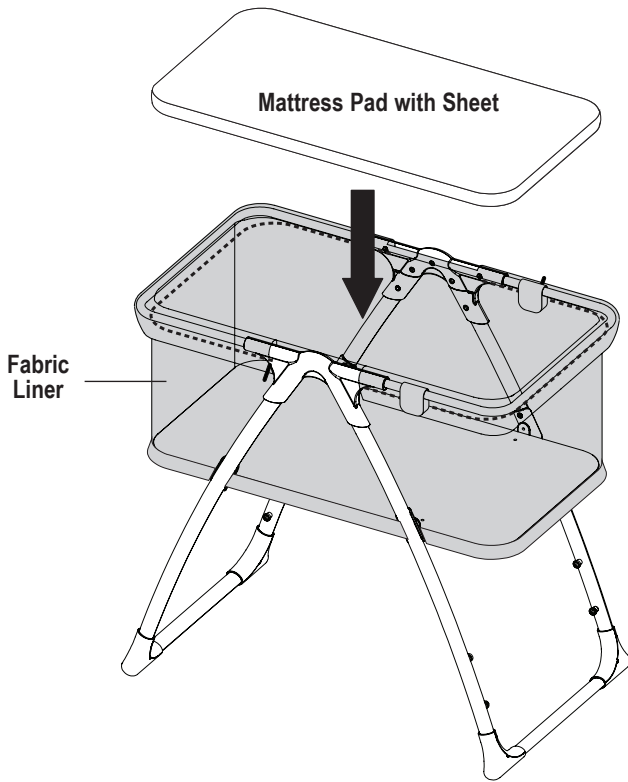
NOTE: One side of the fabric liner has the canopy attachment holes and should face the opposite side of the clip on mobile arm attachment joints.



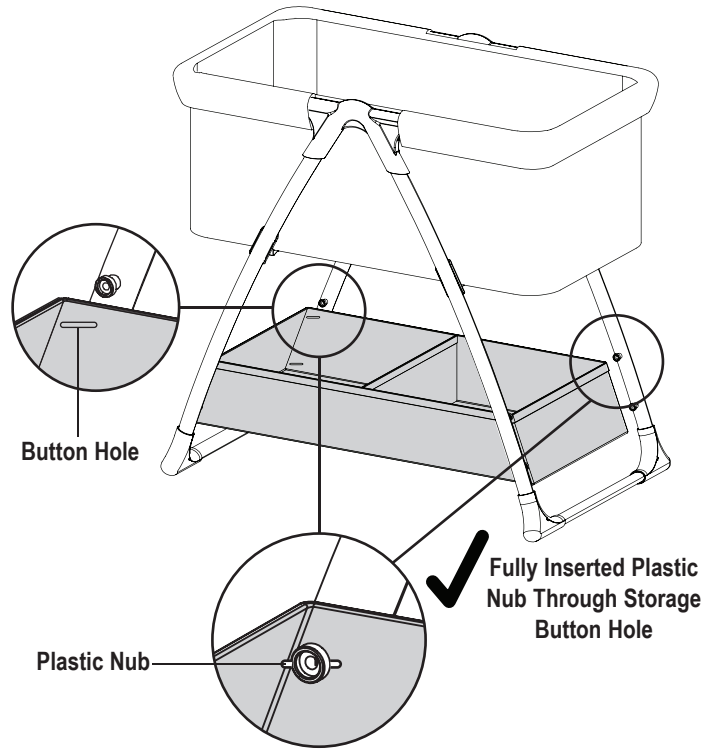
- 4** Stretch the pockets on the bottom of the fabric liner around the ends of the mattress support board.

- 5** Locate the four (4) snaps on the underside of the mattress support board and snap them in.

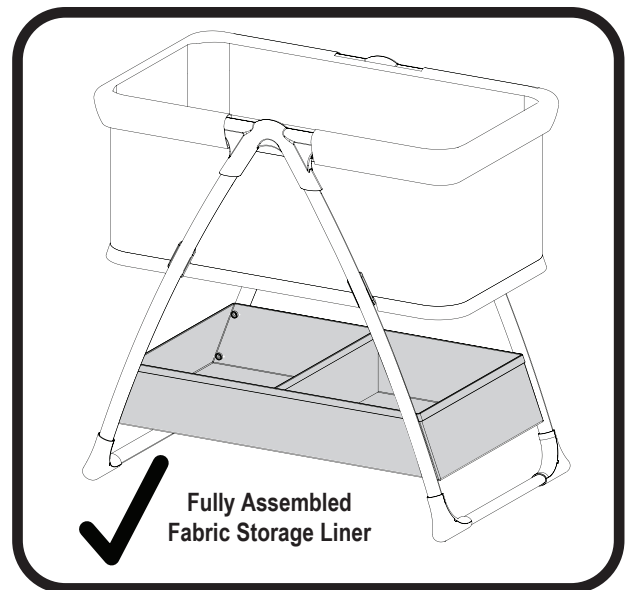
MATTRESS PAD & FABRIC STORAGE LINER ASSEMBLY



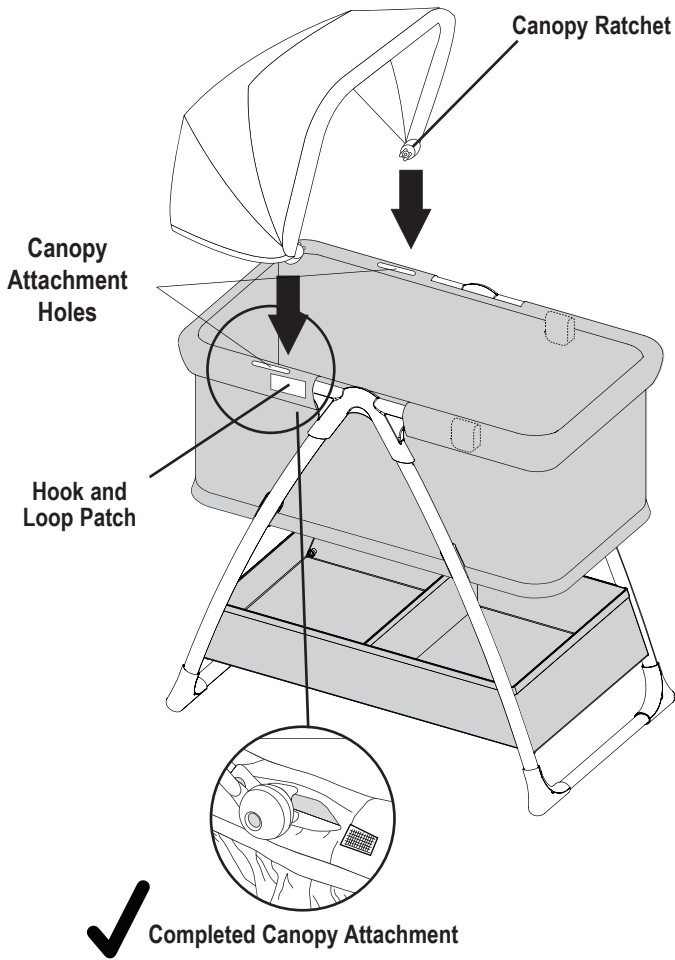
- 1 Place the sheet over the mattress pad.
- 2 Place the covered mattress pad into the fabric liner.



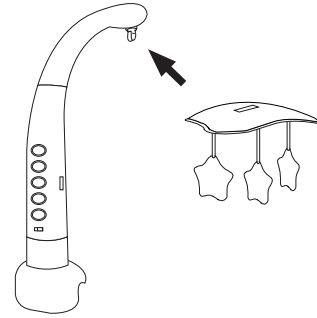
- 3 Align the bottom storage button holes to the eight (8) storage plastic nubs located on the base legs to secure the entire fabric liner in place.
- 4 Fully insert plastic nubs through fabric button holes.



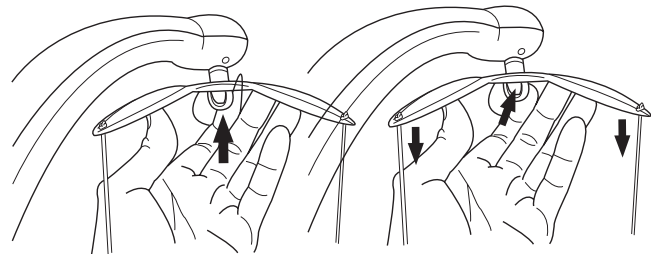
CANOPY & CLIP ON MOBILE ARM ASSEMBLY



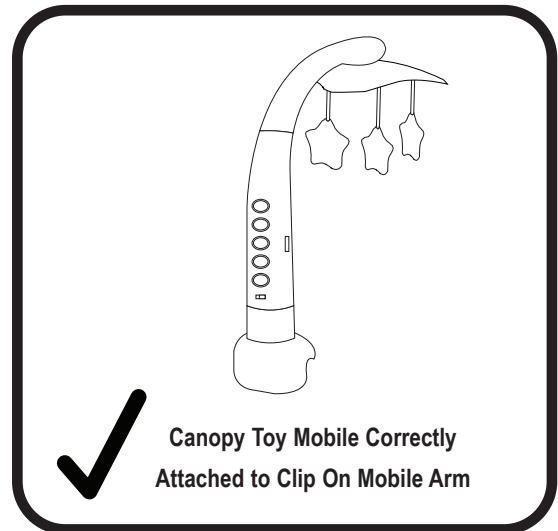
- 1 Position the canopy over the top end of the bassinet, opposite the clip on mobile attachment joints.
- 2 Locate the canopy attachment holes and insert canopy ratchet onto the frame on both sides of the bassinet.
- 3 Fasten the hook and loop fasteners on the back edge of the canopy to the liner. Then fasten the hook and loop patches on each canopy flap to the side of the liner.



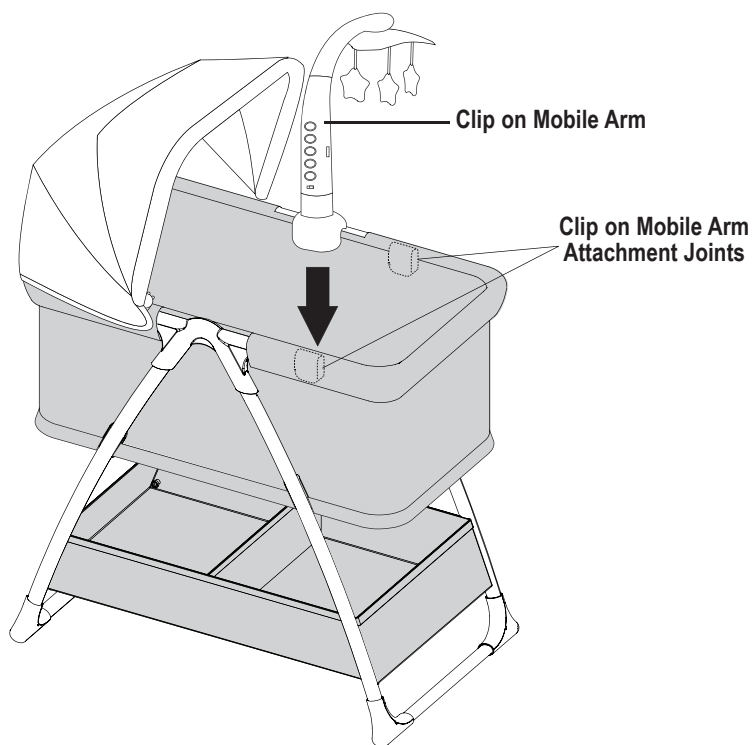
- 1 Locate the clip on mobile arm and canopy toy mobile.



- 2 Fit the canopy toy mobile to the mobile arm. Push the canopy toy mobile up firmly to lock in place.

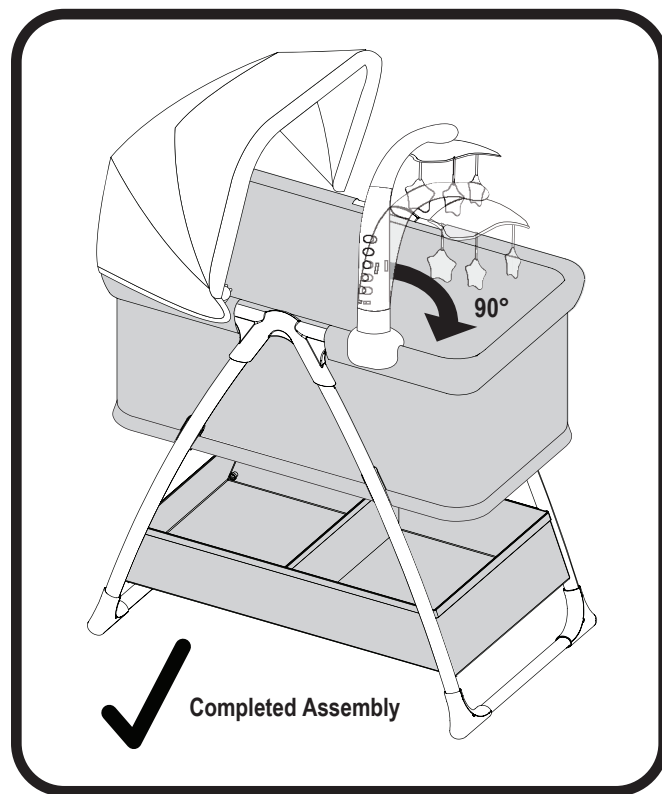


CLIP ON MOBILE ARM ASSEMBLY



- 1 Align the clip on mobile arm to one of the clip on mobile arm attachment joints on the front side of the frame and push down to lock in place.

NOTE: Slide mobile arm horizontally to remove.

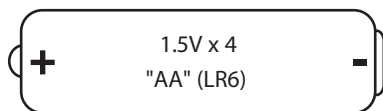
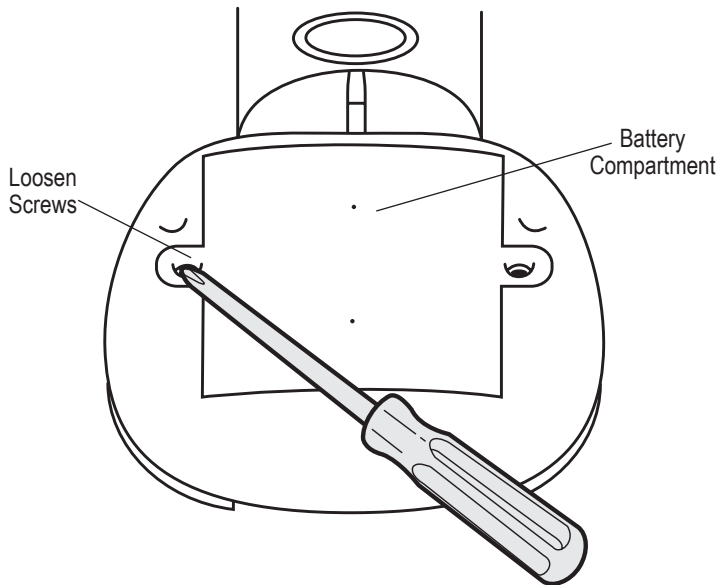


BATTERY INSTALLATION

1 Locate battery compartment on the back of the mobile arm base. Loosen screw in battery compartment with Phillips Head screwdriver.

- Lift to remove door. Insert four (4) "AA" alkaline batteries.
- Replace door and tighten screw.

NOTE: We recommend using alkaline batteries for longer battery life.



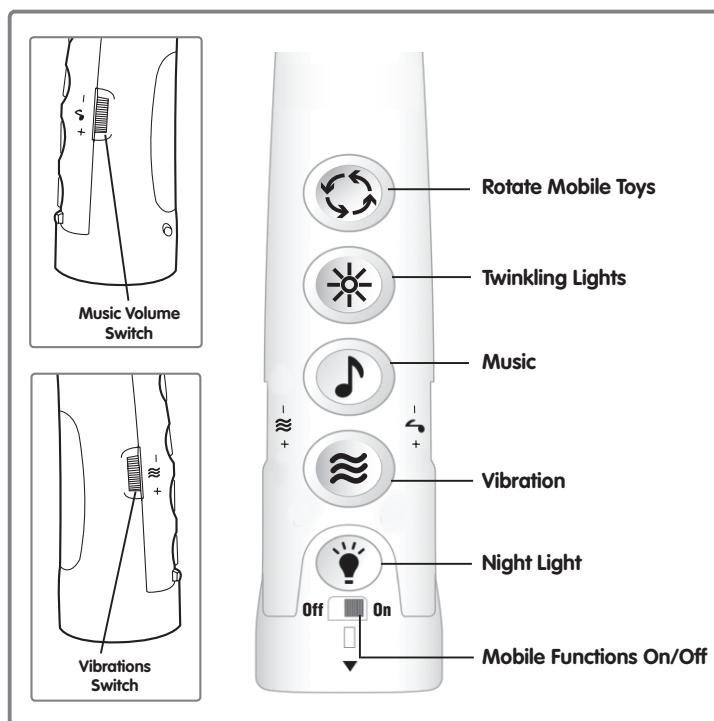
In exceptional circumstances, batteries may leak fluids that can cause a chemical burn injury or ruin your product. To avoid battery leakage:

- Do not mix old and new batteries or batteries of different types: alkaline, standard (carbon-zinc) or rechargeable (nickel-cadmium).
- Insert batteries as indicated inside the battery compartment.
- Remove batteries during long periods of non-use. Always remove exhausted batteries from the product. Dispose of batteries safely.
- Never short-circuit the battery terminals.
- Use only batteries of the same or equivalent type, as recommended.
- Do not charge non-rechargeable batteries.
- Remove rechargeable batteries from the product before charging.
- If removable, rechargeable batteries are used, they are only to be charged under adult supervision.
- When discarding batteries, be sure to dispose of them in the proper manner, according to your state and local regulations.



Protect the environment by not disposing of this product with household waste (2002/96/EC). Check your local authority for recycling advice and facilities.

MOBILE ARM OPERATION



Mobile Functions On/Off Switch

- Push the Mobile Functions On/Off button at the base of the mobile arm to turn on power. This is the main power switch to the mobile arm and also turns on the power LED on the Night Light button. The LED will stay on in the dark.

Rotate Mobile Toys Button

- Press to begin a 5 minute cycle of rotation.
- Press again to stop the mobile.
- Press to start a new 5-minute cycle. If this button is pressed while mobile is operating, the rotation cycle will restart.

Twinkling Lights Button

- Press to start a 5 minute light show.
- Press again to stop the light show.

Music Button

- Press to start cycle of music.
- Press again to stop the music.

Vibration Button

- Press to start 5-minute cycle of vibration.
- Press again to stop vibration.

Night Light

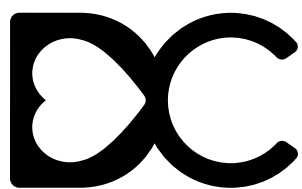
- Press to turn on mobile light for 5 minutes.
- Press again to turn light off.

Vibration Switch

- Push toward + to increase vibration.
- Push toward – to decrease vibration.

Music Volume Switch

- Push toward + to increase volume.
- Push toward – to decrease volume.



DELTACHILDREN

Delta Children's Products Corp.
114 West 26th Street
New York, NY 10001
646-435-8726
www.DeltaChildren.com