

# SIMMONS KIDS<sup>®</sup>

## CITY SLEEPER BASSINET

### INSTRUCTION MANUAL

# 25504

**ASSEMBLY INSTRUCTIONS**

Styles and colors may vary

**⚠ WARNING:  
CHOKING HAZARD**

Adult assembly required because of small parts. Keep assembly parts out of reach of children under 3 years.



**IMPORTANT:** Read all instructions before assembly and use of the product. Keep the instructions for future reference.

Customer Experience Center  
phone: (646) 435-8726  
email: [gcs@simmonkids.com](mailto:gcs@simmonkids.com)



[www.DeltaChildren.com](http://www.DeltaChildren.com)



DCP-IM-05302019-F4

## Consumer Information



### WARNING

**WARNING:** Do not use this bassinet if you cannot exactly follow the accompanying instructions. Failure to follow these warnings and instructions could result in serious injury or death.

• **Read all instructions before assembling unit.**

**KEEP INSTRUCTIONS FOR FUTURE USE.**

**DO NOT USE THIS UNIT IF THE INSTRUCTIONS CANNOT BE STRICTLY FOLLOWED.**

• Before each usage or assembly, inspect unit for damaged hardware, loose joints, missing parts or sharp edges. NEVER use this product if there are any loose or missing fasteners, loose joints, broken parts, or torn mesh/fabric. Check before assembly and periodically during use. Contact Simmons Customer Service Department at 646-435-8726 (8:00am ~ 4:30pm PST) for replacement parts, repair or instructions.

## SUFFOCATION HAZARD

### Infants have suffocated:

- In gaps between an extra padding, a mattress (too small or too thick) and product sides.
- On soft bedding.
- Use only the pad provided by the manufacturer that is no thicker than 25 mm (1 In) and is of such a size that, when pushed against any side of the product, it does not leave a gap of more than 25 mm (1 in) between the mattress and sides.
- **NEVER** add a pillow, comforter or another mattress for padding.
- Remove any tools or excess parts including plastic packaging from bassinet vicinity after assembly.
- Always make sure both sides of the bassinet are adjusted at the same height position making the bassinet equally leveled.
- Do not use the body of the bassinet without its frame.

**FALL HAZARD:** To help prevent falls, DO NOT use this product when the infant begins to push up on hands and knees or has reached manufacturer's recommended maximum weight of 6.8kg (15lbs), whichever comes first.

- To reduce the risk of SIDS, pediatricians recommend healthy infants be placed on their backs to sleep, unless otherwise advised by your physician.
- Always attach all provided fasteners tightly according to the instructions. Check frequently. Do not use if there are any loose or missing parts or signs of damage. Do not substitute parts. Contact the manufacturer for replacement parts.
- Always pull out legs to full extension when in use.
- Use bassinet with only one child at a time.
- Strings can cause strangulation! DO NOT place items with a string around a child's neck, such as hood strings or pacifier cords. DO NOT suspend strings over a product or attach strings to toys.
- Toys are not to be "mouthed" by the baby and should be positioned clearly out of reach of the baby's face and mouth.
- Do not place medication, small toys, small items, cords, straps or similar items that could become wound around the child's neck in or near this product and do not place product near a window, patio door, heater, or power outlet.
- If a sheet is used with the pad use only the one provided by Delta Children or one specifically the dimension of the bassinet mattress.
- Always check that the bassinet is securely locked on the base/stand by pulling upwards on the bassinet bed.



**Please DO NOT return this product to the store.**

If you experience any difficulty with assembly, missing parts or use, please DO NOT return this item to the store. Retail stores are unable to properly assist you. Contact our Customer Service Department directly for assistance  
(646) 435-8726

www.DeltaChildren.com • gcs@simmonkids.com  
©2019 Delta Children's Products, Inc. New York, NY 10001



## **EXTENDED WARRANTY**

**DON'T MISS YOUR CHANCE TO BE COVERED FOR ALL OF LIFE'S MISHAPS!**

With Delta's Extended Warranty, you're covered for mechanical failure from normal use or if your item stops working due to normal wear and tear, plus all those unexpected surprises.

## **2 YEARS OF PROTECTION**

**For Additional Information:**

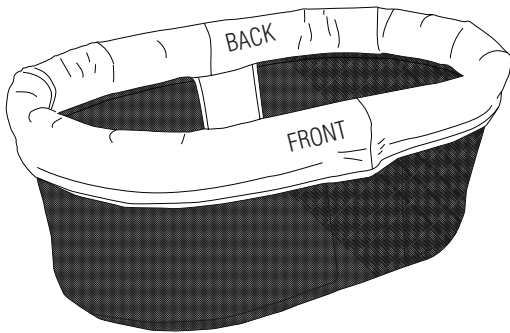
**Simply visit our Website, register your product, and add the Extended Warranty**

**<https://www.deltachildren.com/pages/product-registration>**

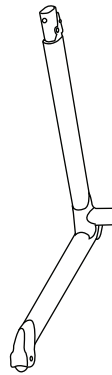
Extended Warranty only available in the following States: Arkansas, Colorado, Delaware, District of Columbia, Georgia, Idaho, Illinois, Indiana, Iowa, Kansas, Kentucky, Louisiana, Maryland, Michigan, Mississippi, Missouri, Nebraska, Nevada, New Hampshire, New York, North Carolina, North Dakota, Pennsylvania, Rhode Island, South Dakota, Tennessee, Utah, West Virginia

# Parts

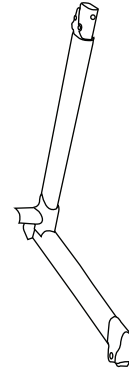
**IMPORTANT!** Please remove all parts from the package and identify them before assembly



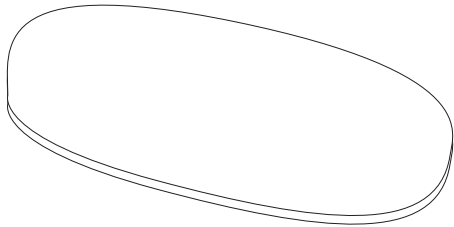
**Bassinet Fabric**  
Part # 50421



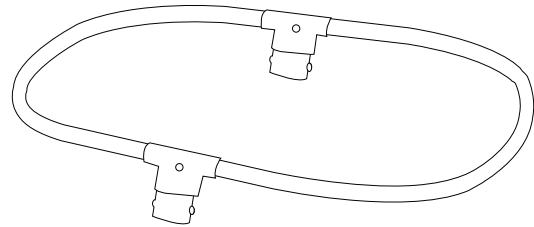
**Side Frame Stand (Left)**  
Part # 50422



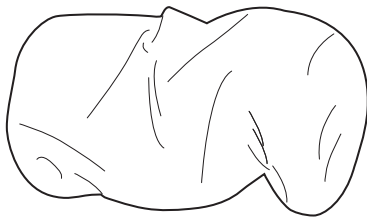
**Side Frame Stand (Right)**  
Part # 50516



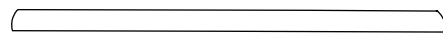
**Mattress Support Pad**  
Part # 50423



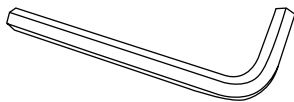
**Top Support Tube**  
Part # 50424



**Sheet**  
Part # 50425

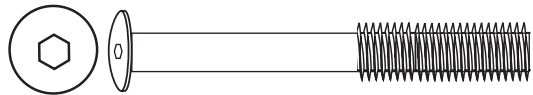


**Bottom Cross Support Bar**  
Part # 50426



**Wrench**

**Hardware**  
Part # 50407



**M6 Screw (X4)**  
\*Screw is actual size to scale

# Assembly

## Bassinet Frame Assembly

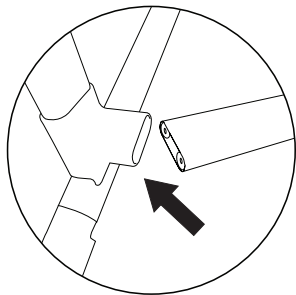
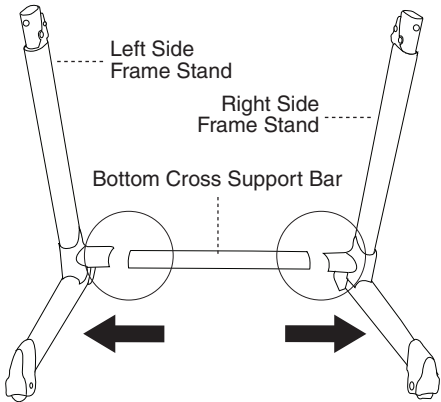


Fig. 1  
Insert support bar into side frame stand

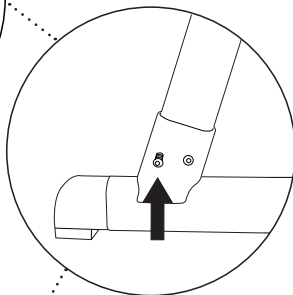


Fig. 1A  
Secure side frame stand and support tube with screw

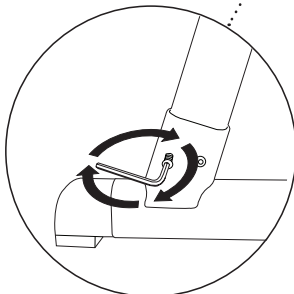


Fig. 1B

Tighten screws with wrench clockwise

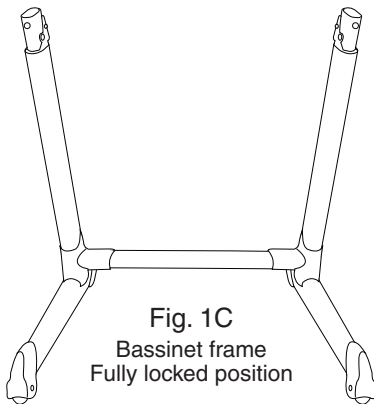


Fig. 1C  
Bassinet frame Fully locked position

1

- Insert support bar to the left side frame stand (Fig.1). Secure with the two screws (Fig. 1A). Use the wrench to tighten screws in clockwise direction (Fig. 1B). Repeat for the right side frame stand. Make sure frame is in a fully locked position (Fig. 1C) pull outward on left and right side frames.

## Leg Extension

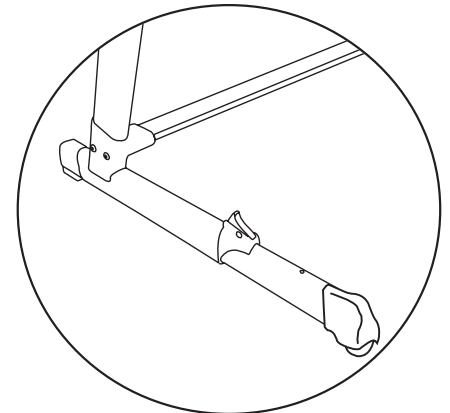
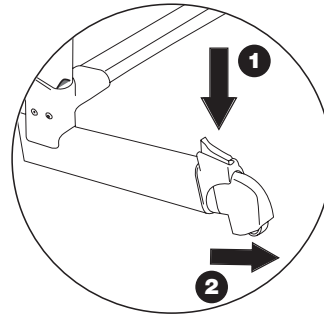


Fig. 2

2

- Fully extend both sides of the bassinet legs by pressing the button located on top of the bassinet legs 1 and pull outward 2 to fully extended position (Fig. 2)

# Fabric Assembly

## STEP 1

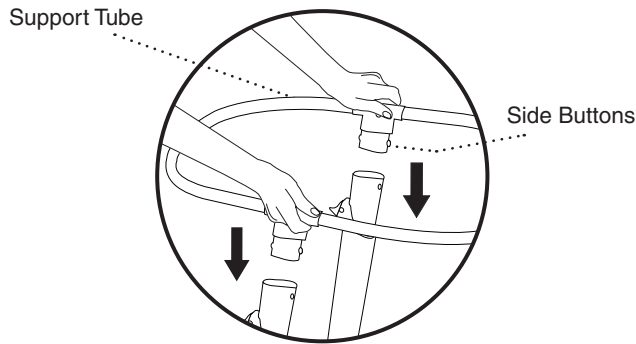


Fig. 3A

Insert both sides of the top support tube into the bassinet frame

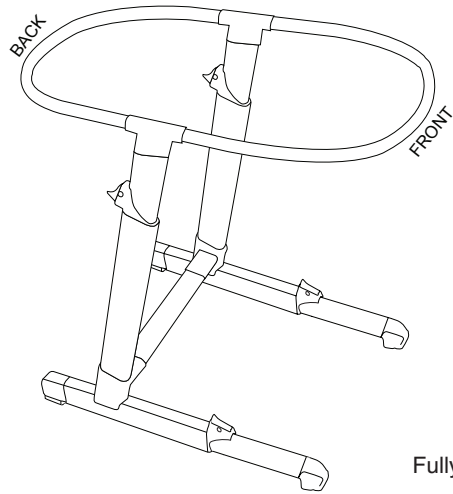


Fig. 3B

Fully Locked Position

## STEP 2

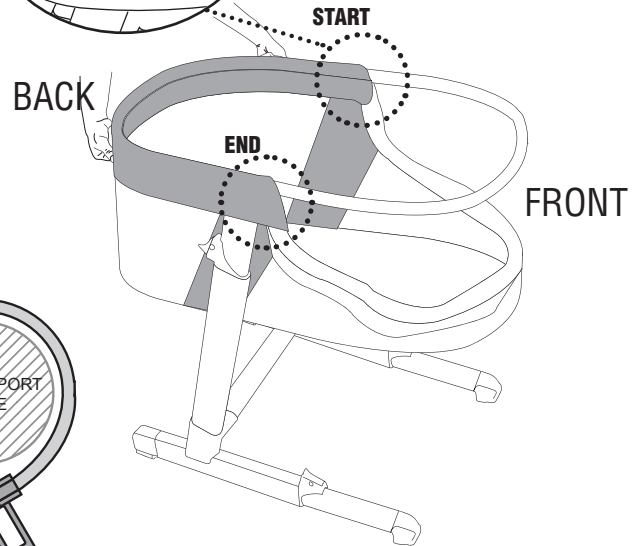
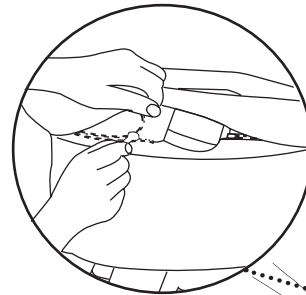
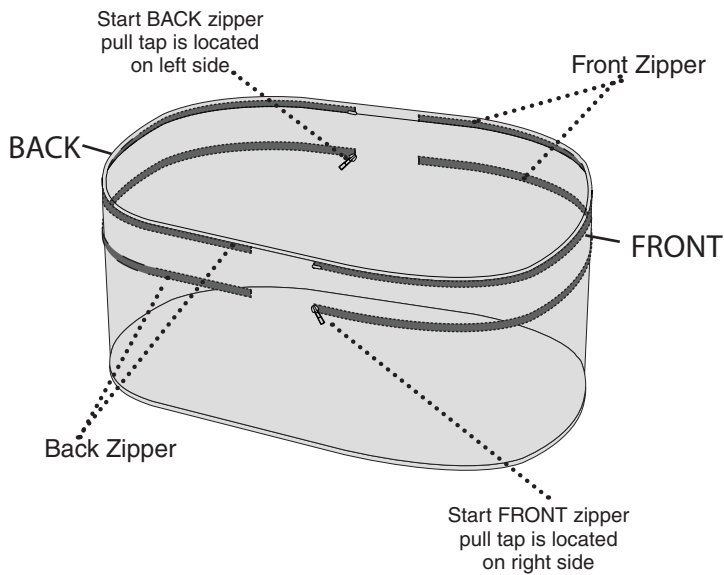


Fig. 3C

Place the back bassinet fabric to the back top support tube

3

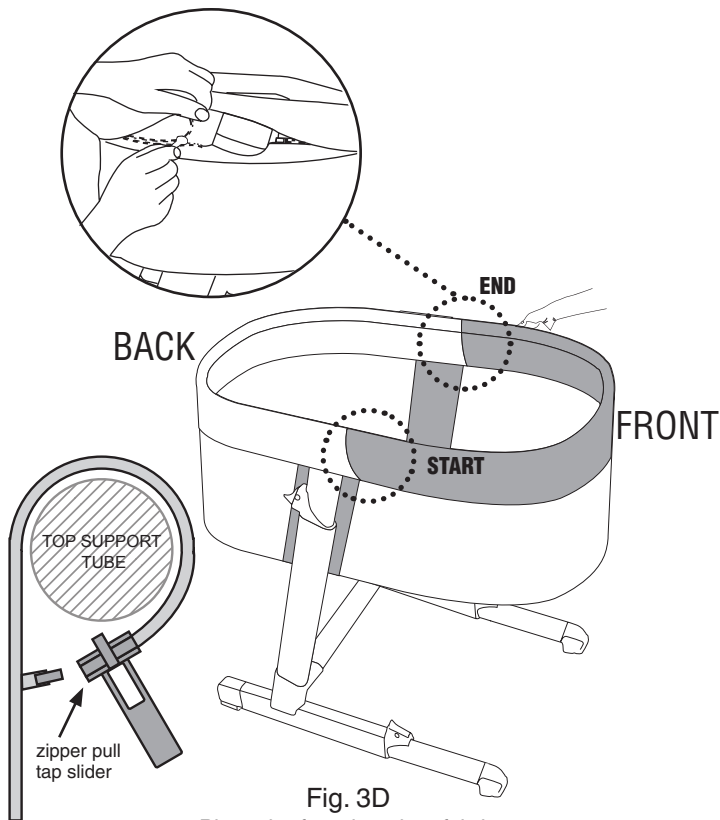
**STEP 1:** Align top back support tube to the side frames. Insert both sides of the top support tube into the bassinet frame until both side buttons “CLICK” (Fig. 3A) into a fully locked position (Fig. 3B)

**STEP 2:** Place the back bassinet fabric over the back rail tube. Align and fasten zipper to top rail (Fig. 3C).

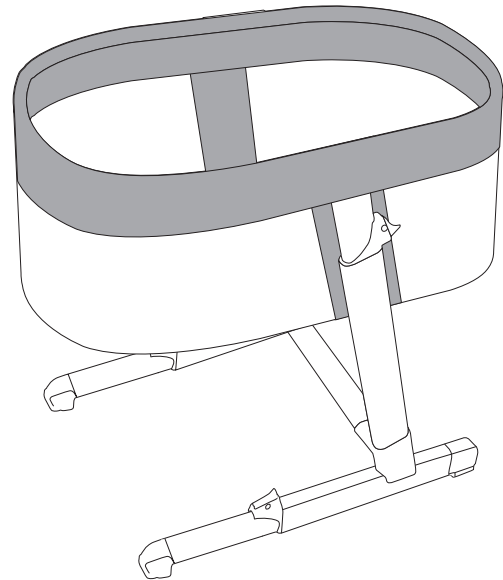
NOTE: Zipper pull tab slider located on left side.

# Fabric Assembly

## STEP 3

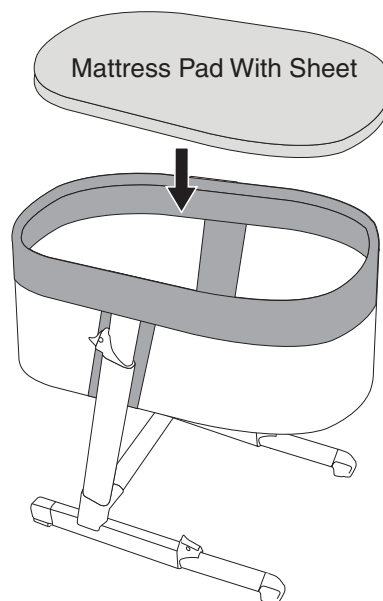


Place the front bassinet fabric to the front top support tube



Fabric Bassinet Fully Zipped

## STEP 4



3

**STEP 3:** Place the front bassinet fabric over the front rail tube. Align and fasten zipper to top rail (Fig. 3D) until fully zipped (Fig. 3E)

**STEP 4:** Place sheet over mattress support pad. Insert mattress support pad to sleeper.

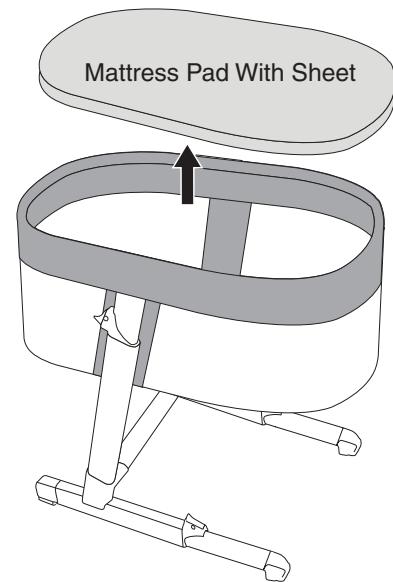
**NOTE:** The mattress support pad should fully cover the bassinet bottom. No excess fabric should show on the edges.

# Height Adjustment

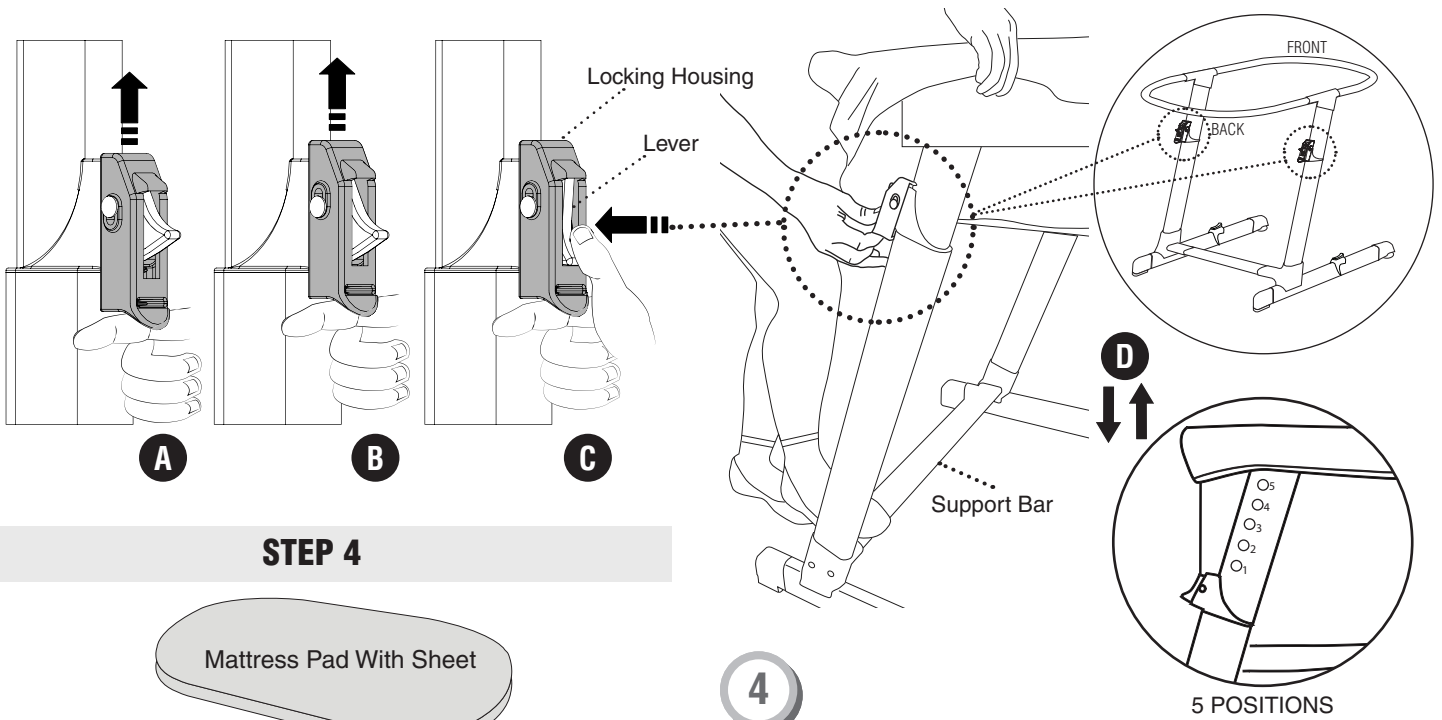
## STEP 1

**WARNING: NEVER** adjust height with baby inside.

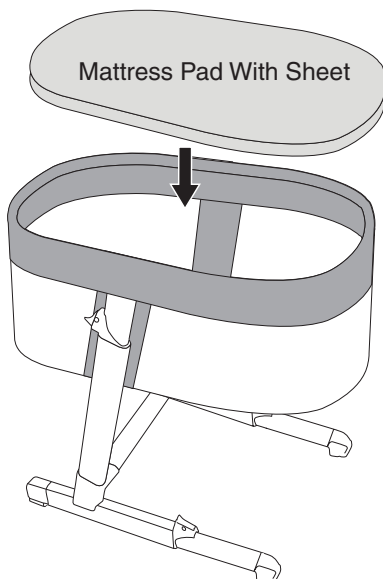
**NOTE:** To adjust up or down you must unlock EACH SIDE separately.



## STEP 2 & 3



## STEP 4



4

5 POSITIONS

**STEP 1:** Remove mattress support pad

**STEP 2:** Locate left side locking housing (A), push and hold up from underneath locking housing (B). Then press the lever inward (C) and move top rail up or down into desired position. There are 5 positions total (D).

**STEP 3:** Repeat STEP 2 on the right side.

**NOTE:** Make sure the bassinet is equally level.

**STEP 4:** Insert mattress pad

**NOTE:** The mattress support pad should fully cover the bassinet bottom. No excess fabric should show on the edges.



# Disassembly

## Removing Fabric

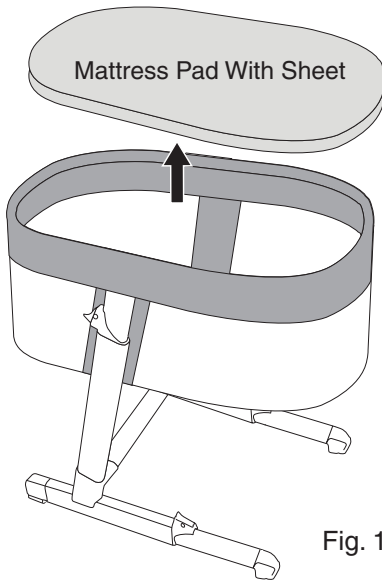


Fig. 1

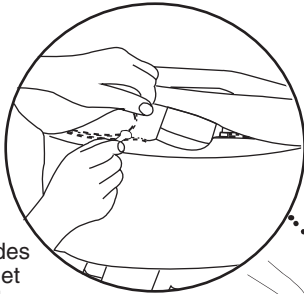


Fig. 1A  
Unzip both sides of the bassinet fabric from the top support tube

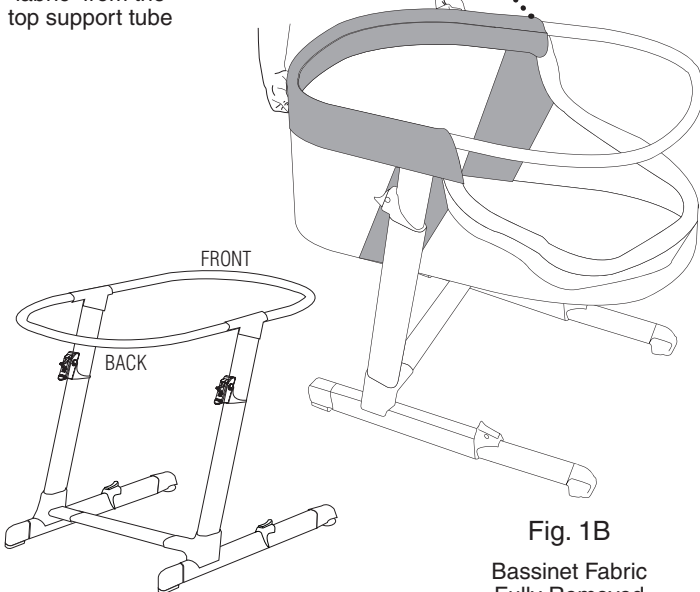


Fig. 1B  
Bassinet Fabric Fully Removed

## Bassinet Frame Disassembly

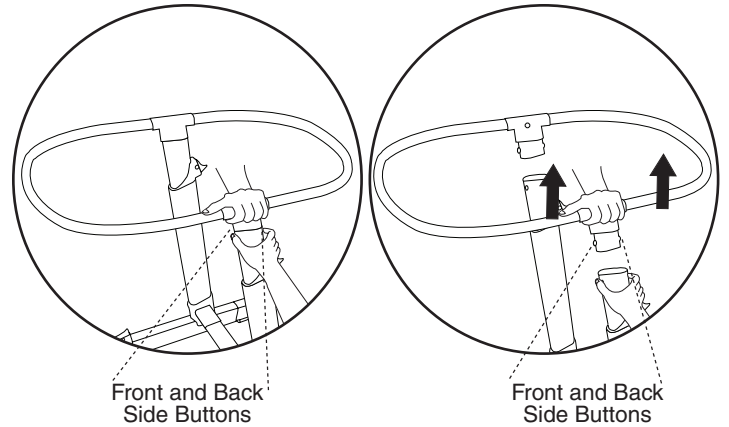


Fig. 2A

Press front and back side buttons on the support tube and lift upward to remove. Repeat on opposite side.

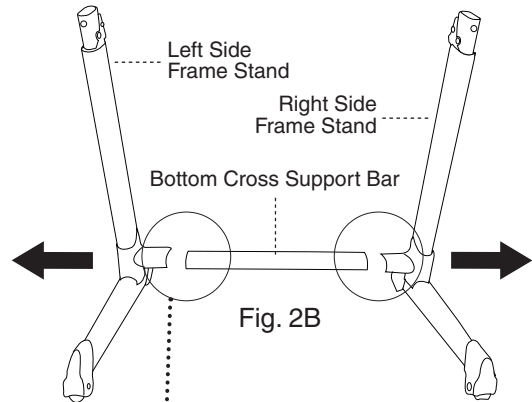


Fig. 2B

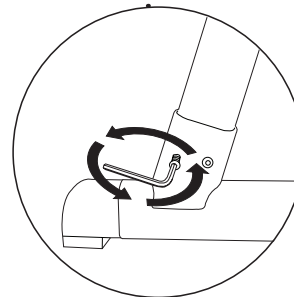


Fig. 2C

1

- Remove mattress support pad (Fig. 1)
- Unzip both sides of the bassinet fabric from the top rail (Fig. 1A and Fig. 1B).

2

- Press front and back side buttons together and pull upward on tube to remove (Fig.2A).
- Press both side buttons on the support tube and lift upward to remove. Repeat on opposite side (Fig.2B). Repeat on the other side.
- Unscrew screws left and right side frame (Fig. 2C).
- Use the wrench to untighten screws in opposite clockwise direction (Fig. 2C).

## Care and Maintenance

- Check bassinet for worn parts, torn material or stitching periodically.
- Replace or repair the parts as needed. Use Delta replacement parts.
- The bassinet fabric cover is machine washable. Wash them separately in cold water on the gentle cycle. Do not use bleach. Tumble dry separately on low heat and remove promptly.
- The frame may be wiped clean using a mild cleaning solution and a damp cloth. Do not use bleach. Do not use harsh or abrasive cleaners. Rinse clean with water to remove residue. Do not immerse the frame.





**Delta Children's Products Corp.**

114 West 26<sup>th</sup> Street  
New York, NY 10001  
646-435-8726  
[www.DeltaChildren.com](http://www.DeltaChildren.com)