

BY THE BED DELUXE BASSINET

SIMMONS KIDS®

INSTRUCTION MANUAL

25501

Styles and colors may vary

ASSEMBLY INSTRUCTIONS

⚠ WARNING: CHOKING HAZARD

Adult assembly required because of small parts. Keep assembly parts out of reach of children under 3 years.



IMPORTANT: Read all instructions before assembly and use of the product.
Keep the instructions for future reference.

Customer Experience Center
phone: (646)-435-8726
email: gcs@SimmonsKids.com



DELTA CHILDREN

www.DeltaChildren.com



DCP-IM-04012020-F8

Consumer Information



WARNING

WARNING: Do not use this bassinet if you cannot exactly follow the accompanying instructions. Failure to follow these warnings and instructions could result in serious injury or death.

• **Read all instructions before assembling unit.**

KEEP INSTRUCTIONS FOR FUTURE USE.

DO NOT USE THIS UNIT IF THE INSTRUCTIONS CANNOT BE STRICTLY FOLLOWED.

• Before each usage or assembly, inspect unit for damaged hardware, loose joints, missing parts or sharp edges. NEVER use this product if there are any loose or missing fasteners, loose joints, broken parts, or torn mesh/fabric. Check before assembly and periodically during use. Contact Simmons Customer Service Department at 646-435-8726 for replacement parts, repair or instructions.

SUFFOCATION HAZARD

Infants have suffocated:

- In gaps between an extra padding, a mattress (too small or too thick) and product sides.
- On soft bedding.
- Use only the pad provided by the manufacturer that is no thicker than 25 mm (1 in) and is of such a size that, when pushed against any side of the product, it does not leave a gap of more than 25 mm (1 in) between the mattress and sides.
- **NEVER** add a pillow, comforter or another mattress for padding.
- Remove any tools or excess parts including plastic packaging from bassinet vicinity after assembly.
- Always make sure both sides of the bassinet are adjusted at the same height position making the bassinet equally leveled.
- Do not use the body of the bassinet without its frame.

FALL HAZARD: For use from birth to 5 months or until your baby begins to push up on their hands and knees, whichever comes first.

- To reduce the risk of SIDS, pediatricians recommend healthy infants be placed on their backs to sleep, unless otherwise advised by your physician.
- Always attach all provided fasteners tightly according to the instructions. Check frequently. Do not use if there are any loose or missing parts or signs of damage. Do not substitute parts. Contact the manufacturer for replacement parts.
- Always pull out legs to full extension when in use.
- Use bassinet with only one child at a time.
- Strings can cause strangulation! DO NOT place items with a string around a child's neck, such as hood strings or pacifier cords. DO NOT suspend strings over a product or attach strings to toys.
- Toys are not to be "mouthed" by the baby and should be positioned clearly out of reach of the baby's face and mouth.
- Do not place medication, small toys, small items, cords, straps or similar items that could become wound around the child's neck in or near this product and do not place product near a window, patio door, heater, or power outlet.
- If a sheet is used with the pad use only the one provided by Delta Children or one specifically the dimension of the bassinet mattress.
- Always check that the bassinet is securely locked on the base/stand by pulling upwards on the bassinet bed.



Before returning this product to the store! Let's see if we can assist you!

- **Not sure how to assemble our product?**

Visit our site for easy to follow instructions along with some Tricks and Tips assembly videos <https://www.deltachildren.com/pages/instructions>

- **If you are missing a piece or have a damaged part**

Please contact our Consumer Experience Center for assistance at 646-435-8726 or email gcs@DeltaChildren.com. To better assist you please have your Style# or Model# and Lot# available. This can be found on a white rectangular sticker on your product, on the registration card, and on the product's box.

- **In the event we do not have a replacement part available**

You may need to return your product to the retailer for an exchange or refund.

- **Warranty**

In order to protect your investment, don't forget to register your product. You may also wish to consider purchasing our extended warranty.

Visit <https://www.deltachildren.com/pages/extended-warranty> for more details.

- **Please note:**

"All Final", "As Is" or Third Party/Liquidator sales are not covered under our Limited Manufacturer Warranty.

DELTA CHILDREN

LIMITED MANUFACTURER WARRANTY

This Delta product is warranted to be free from defects for a period of 90 days from the date of purchase under normal use. If a product is defective during this period, we will at our option repair or replace the defective part or product. This limited warranty extends only to the original retail purchaser and is valid only when supplied with proof of purchase, or if received as a gift, when the registration is on file with Delta.

This limited warranty does not cover the following:

- Products purchased as floor models or samples.
- Items purchased on an “as-is” basis, as a second hand product, or as a resale product.
- Items purchased at a Final sale, a “Going out of Business” sale, or a Liquidation sale. This limited warranty gives you specific legal rights and you may also have other rights which vary from state to state.

This limited warranty gives you specific legal rights and you may also have other rights which vary from state to state.

TO REGISTER YOUR PRODUCT for important safety alerts and updates to your product please visit www.deltachildren.com

TO REPORT A PROBLEM, please log on to www.deltachildren.com and click the Consumer Care Tab, or contact us by phone at (646) 435-8726

Date of Purchase: _____ (you should also keep your receipt)

EXTENDED WARRANTY

DON'T MISS YOUR CHANCE TO BE COVERED FOR ALL OF LIFE'S MISHAPS!

With Delta's Extended Warranty, you're covered for mechanical failure from normal use or if your item stops working due to normal wear and tear, plus all those unexpected surprises.

2 YEARS OF PROTECTION

For Additional Information:

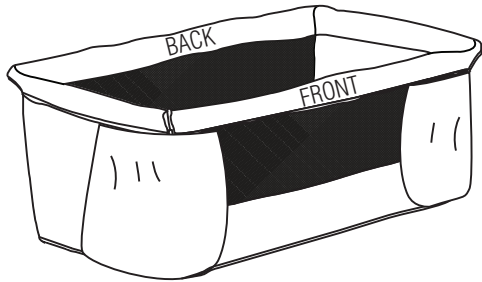
Simply visit our Website, register your product, and add the Extended Warranty

<https://www.deltachildren.com/pages/product-registration>

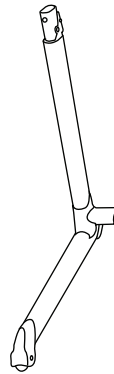
Extended Warranty only available in the following States: Arkansas, Colorado, Delaware, District of Columbia, Georgia, Idaho, Illinois, Indiana, Iowa, Kansas, Kentucky, Louisiana, Maryland, Michigan, Mississippi, Missouri, Nebraska, Nevada, New Hampshire, New York, North Carolina, North Dakota, Pennsylvania, Rhode Island, South Dakota, Tennessee, Utah, West Virginia

Parts

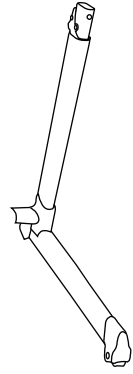
IMPORTANT! Please remove all parts from the package and identify them before assembly.



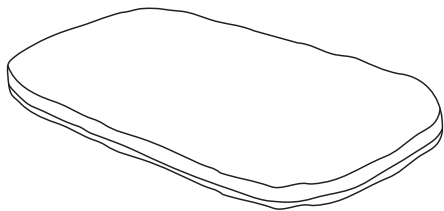
Bassinet Fabric



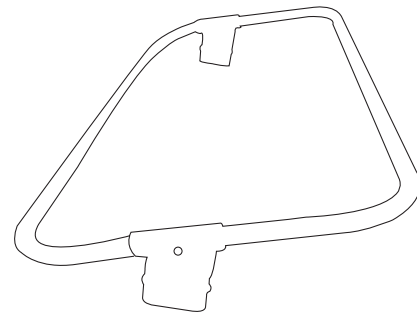
Left Side Frame Stand with Wheel



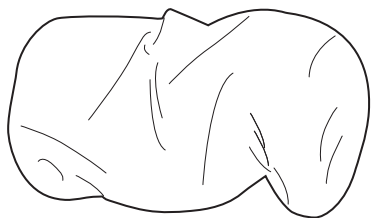
Right Side Frame Stand with Wheel



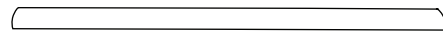
Mattress Support Pad



Top Support Tube

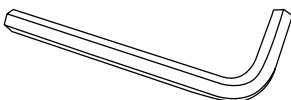


Sheet



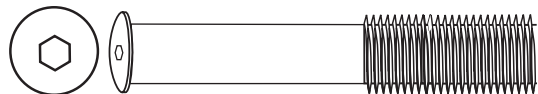
Bottom Cross Support Bar

Hardware

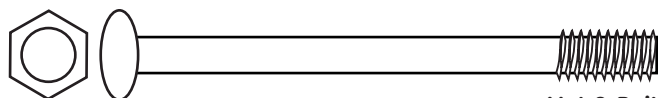


Hex Wrench

*Screws are actual size to scale



M6 Hex Screw (X4)



Nut & Bolt

Assembly

Bassinet Frame Assembly

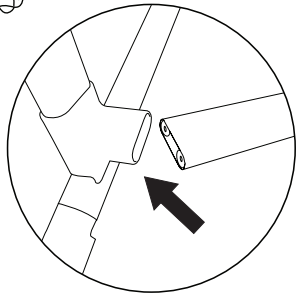
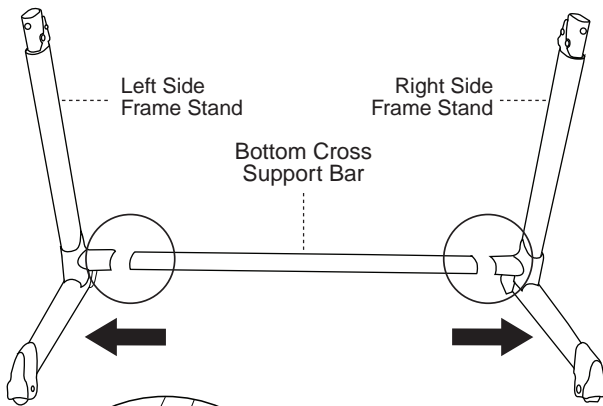


Fig. 1
Insert support bar into
side frame stand

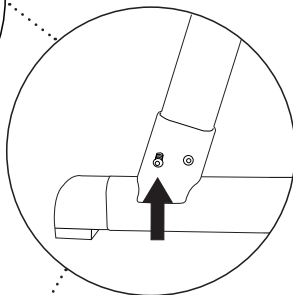


Fig. 1A
Secure side frame
stand and support
tube with screw

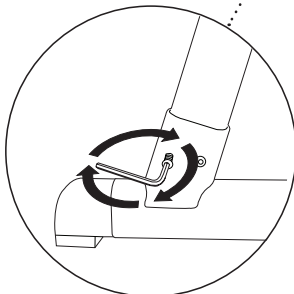


Fig. 1B
Tighten screws with
wrench clockwise

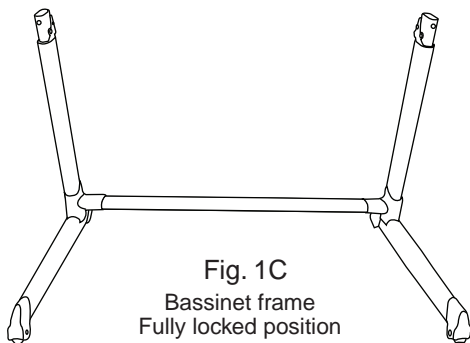


Fig. 1C
Bassinet frame
Fully locked position

1

- Insert support bar to the left side frame stand (Fig. 1). Secure with the two screws (Fig. 1A). Use the wrench to tighten screws in clockwise direction (Fig. 1B). Repeat for the right side frame stand. Make sure frame is in a fully locked position (Fig. 1C) pull outward on left and right side frames.

Leg Extension

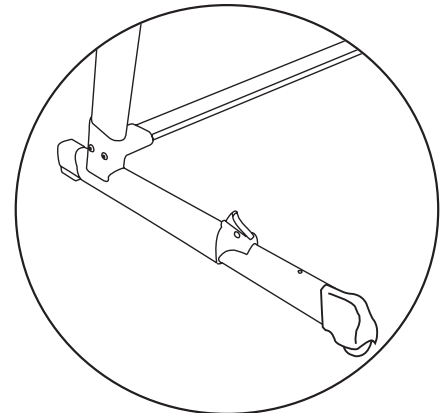
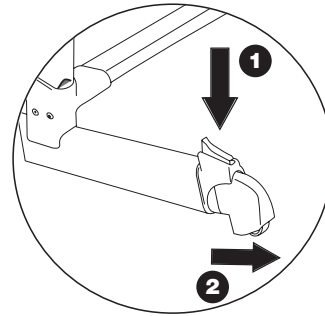


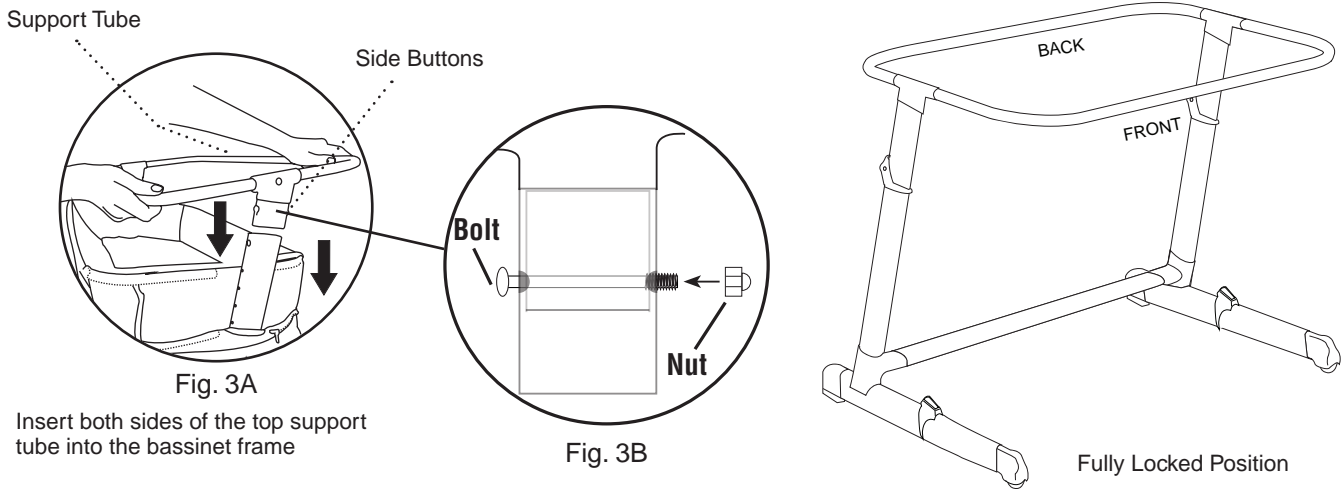
Fig. 2

2

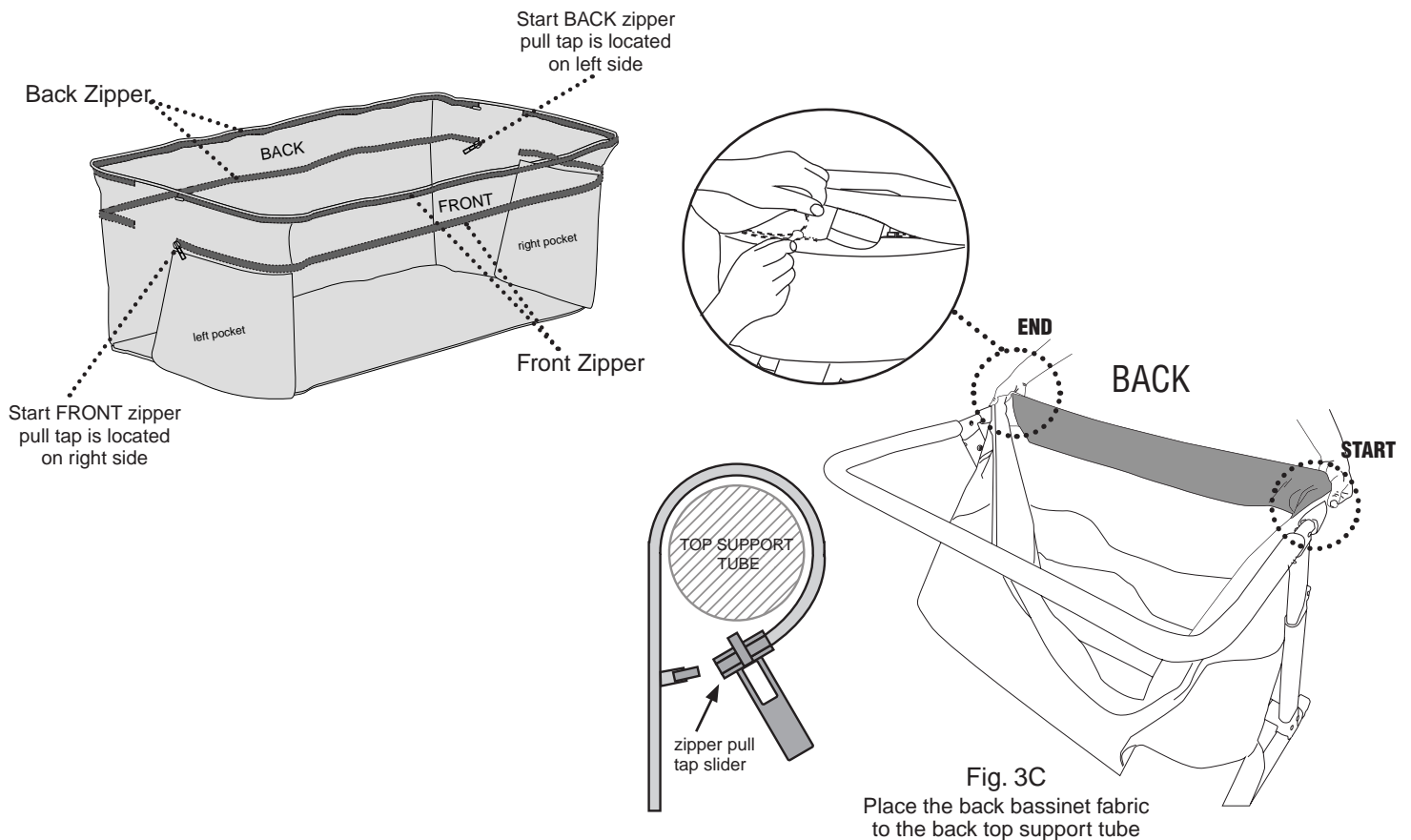
- Fully extend both sides of the bassinet legs by pressing the button located on top of the bassinet legs 1 and pull outward 2 to fully extended position (Fig. 2)

Fabric Assembly

STEP 1



STEP 2



3

STEP 1: Align top back support tube to the side frames. Insert both sides of the top support tube into the bassinet frame (Fig. 3A). Secure by inserting bolt through holes and screwing nut clockwise (Fig. 3B).

STEP 2: Place the back bassinet fabric over the back rail tube. Align and fasten zipper to top rail (Fig. 3C).

NOTE: Zipper pull tab slider located on left side.

Fabric Assembly

STEP 3

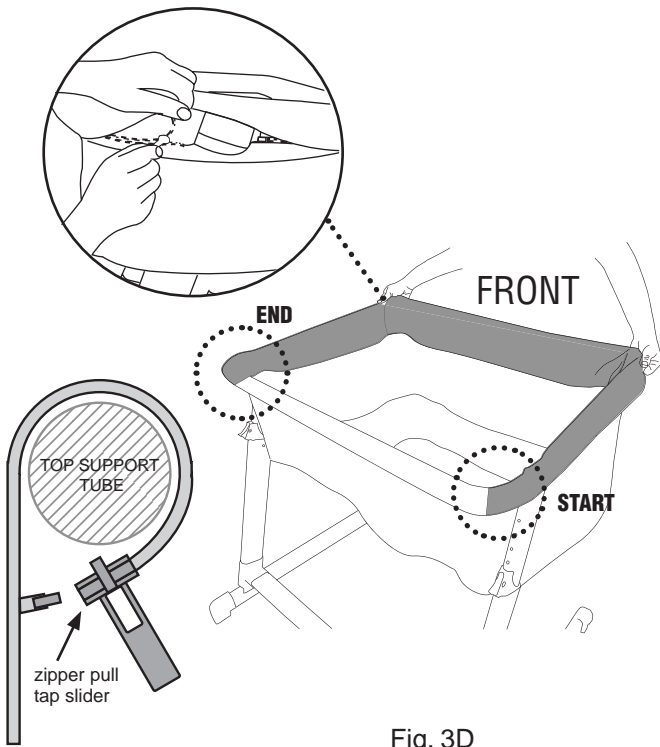


Fig. 3D
Place the front bassinet fabric to the front top support tube

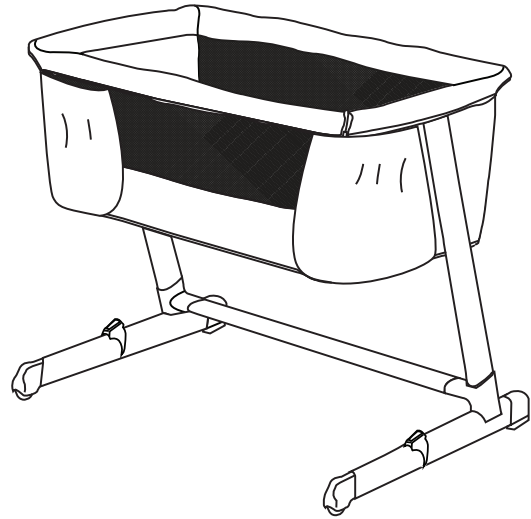
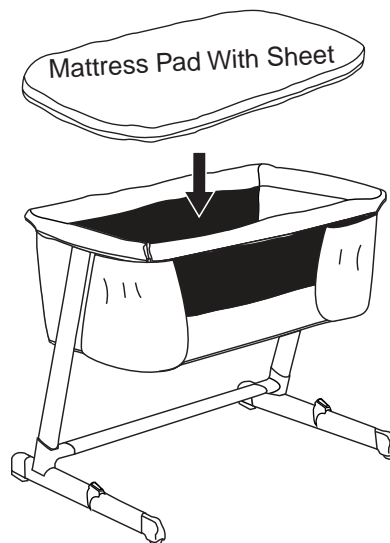


Fig. 3E
Fabric Bassinet Fully Zipped

STEP 4



3

STEP 3: Place the front bassinet fabric over the front rail tube. Align and fasten zipper to top rail (Fig. 3D) until fully zipped (Fig. 3E)

STEP 4: Place sheet over mattress support pad. Insert mattress support pad to sleeper.

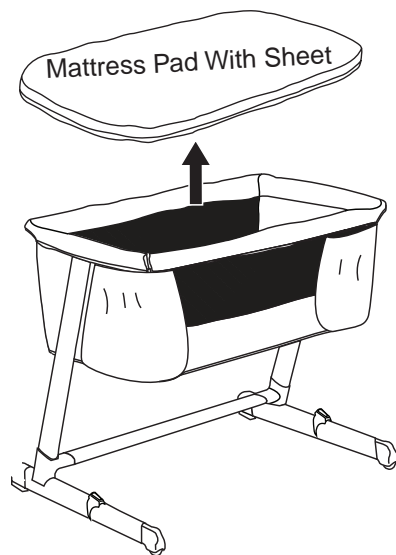
NOTE: The mattress support pad should fully cover the bassinet bottom. No excess fabric should show on the edges.

Height Adjustment

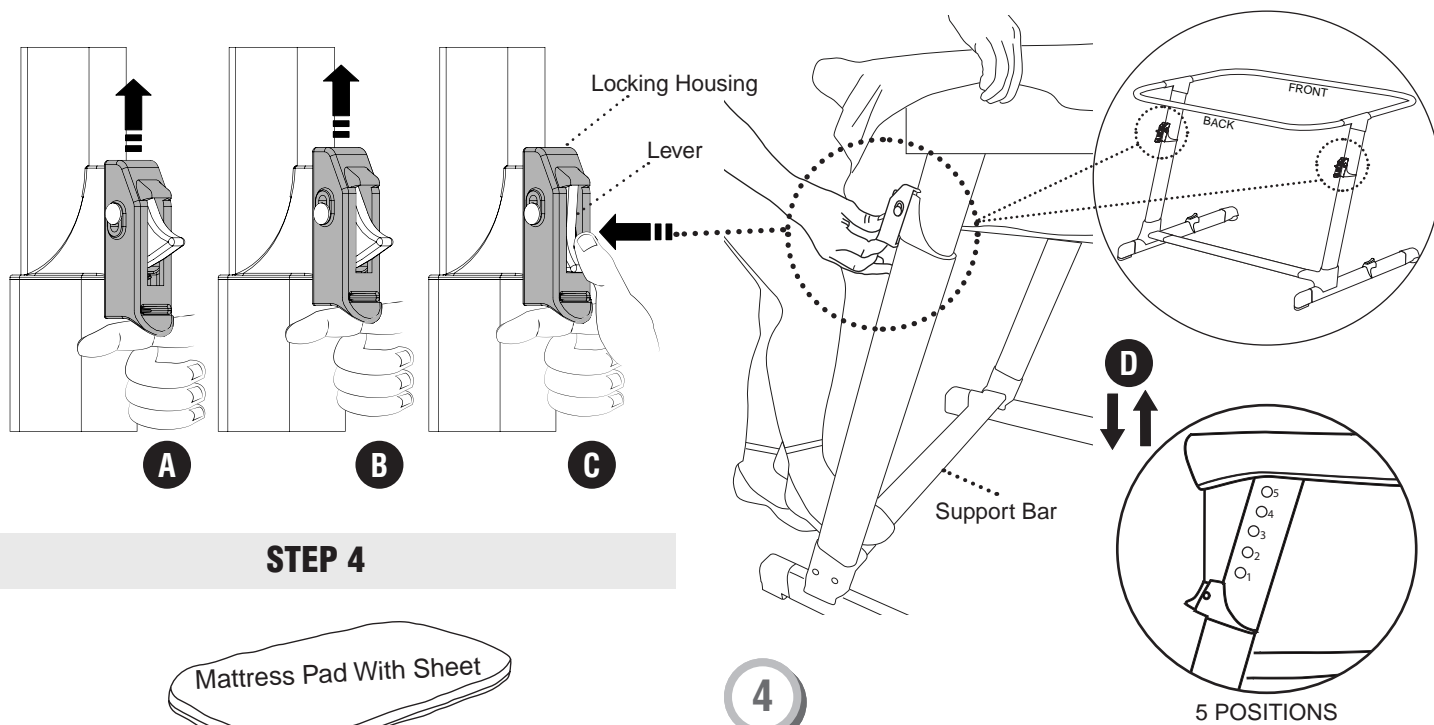
STEP 1

WARNING: NEVER adjust height with baby inside.

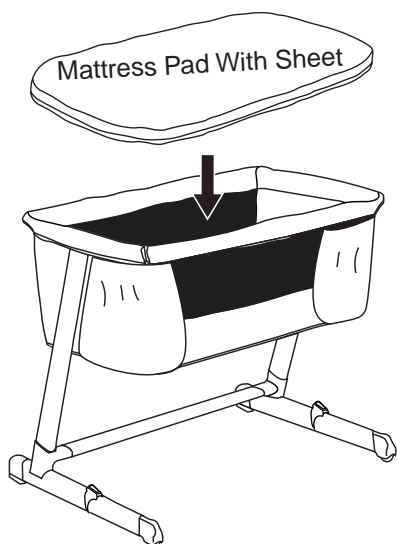
NOTE: To adjust up or down you must unlock EACH SIDE separately.



STEP 2 & 3



STEP 4



STEP 1: Remove mattress support pad

STEP 2: Locate left side locking housing (A), push and hold up from underneath locking housing (B). Then press the lever inward (C) and move top rail up or down into desired position. There are 5 positions total (D).

STEP 3: Repeat STEP 2 on the right side.

NOTE: Make sure the bassinet is equally level.

STEP 4: Insert mattress pad

NOTE: The mattress support pad should fully cover the bassinet bottom. No excess fabric should show on the edges.

Disassembly

Removing Fabric

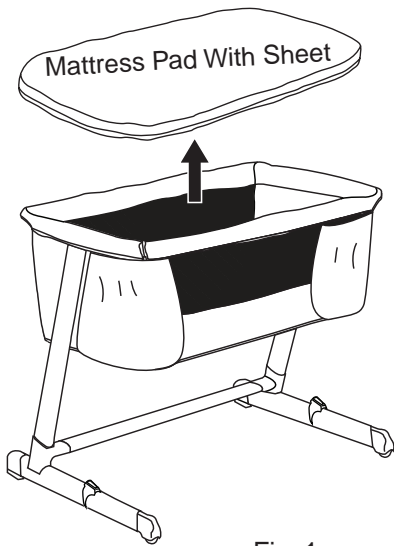


Fig. 1

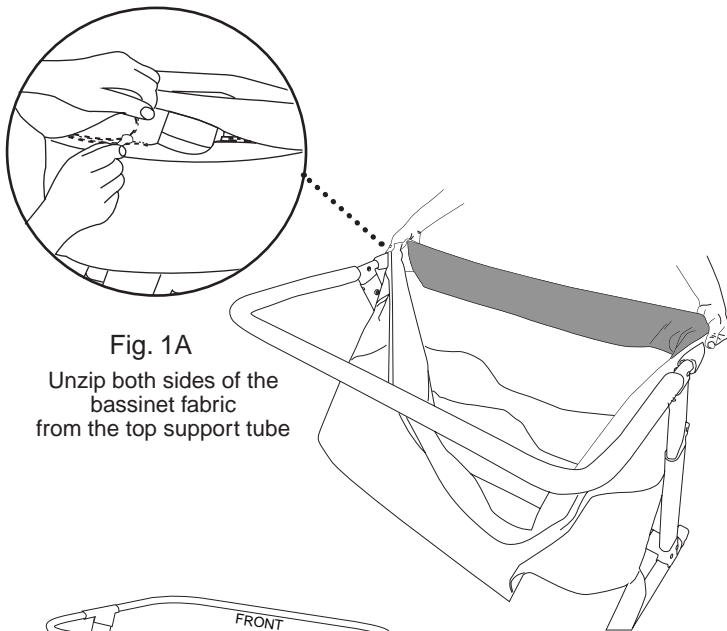


Fig. 1A

Unzip both sides of the bassinet fabric from the top support tube

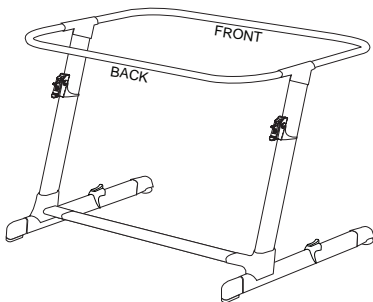


Fig. 1B

Bassinet Fabric Fully Removed

Bassinet Frame Disassembly

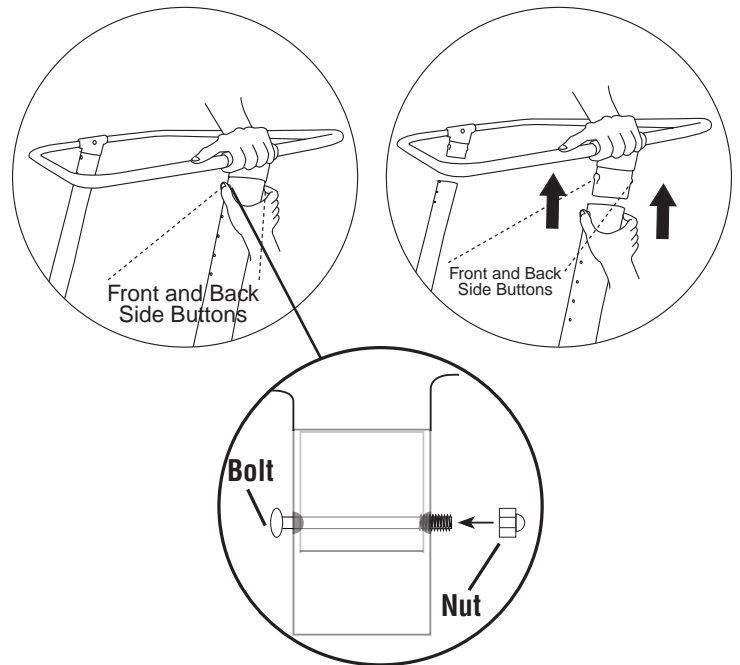


Fig. 2A

Undo nut and bolt, then press front and back side buttons on the support tube and lift upward to remove. Repeat on opposite side.

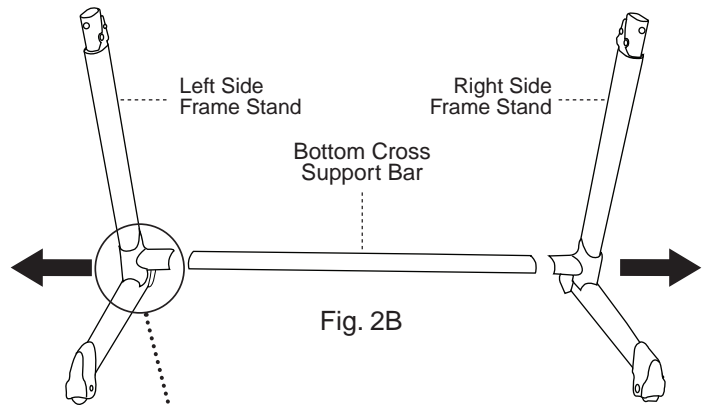


Fig. 2B

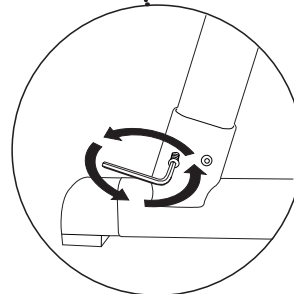


Fig. 2C

1

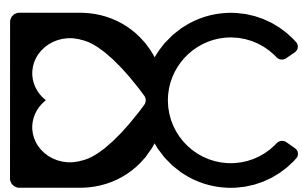
- Remove mattress support pad (Fig. 1)
- Unzip both sides of the bassinet fabric from the top rail (Fig. 1A and Fig. 1B).

2

- Undo nut & bolt by unscrewing counter-clockwise, then press front and back side buttons together and pull upward on tube to remove (Fig.2A).
- Press both side buttons on the support tube and lift upward to remove. Repeat on opposite side (Fig.2B). Repeat on the other side.
- Unscrew screws left and right side frame (Fig. 2C).

Care and Maintenance

- Check bassinet for worn parts, torn material or stitching periodically.
- Replace or repair the parts as needed. Use Delta replacement parts.
- The bassinet fabric cover is machine washable. Wash them separately in cold water on the gentle cycle. Do not use bleach. Tumble dry separately on low heat and remove promptly.
- The frame may be wiped clean using a mild cleaning solution and a damp cloth. Do not use bleach. Do not use harsh or abrasive cleaners. Rinse clean with water to remove residue. Do not immerse the frame.
- Before each usage or assembly, inspect unit for damaged hardware, loose joints, missing parts or sharp edges. NEVER use this product if there are any loose or missing fasteners, loose joints, broken parts, or torn mesh/fabric. Check before assembly and periodically during use. Contact Simmons Customer Service Department at 646-435-8726 for replacement parts, repair or instructions.



DELTACHILDREN

Delta Children's Products Corp.

114 West 26th Street
New York, NY 10001
646-435-8726
www.DeltaChildren.com