

SIMMONS KIDS[®]

MINI ULTRA COMPACT TRAVEL BASSINET

INSTRUCTION MANUAL

25403

Styles and colors may vary

ASSEMBLY INSTRUCTIONS

▲ WARNING: **CHOKING HAZARD**

Adult assembly required because of small parts. Keep assembly parts out of reach of children under 3 years.



REQUIRED: 4 “AA” Alkaline Batteries for battery compartment (not included), Phillips Screwdriver (not included)

Read all instructions BEFORE assembly and USE of product. KEEP INSTRUCTIONS FOR FUTURE USE.



Consumer Information



WARNING

WARNING: Do not use this bassinet if you cannot exactly follow the accompanying instructions. Failure to follow these warnings and instructions could result in serious injury or death.

- **Read all instructions before assembling unit.**

KEEP INSTRUCTIONS FOR FUTURE USE.

DO NOT USE THIS UNIT IF THE INSTRUCTIONS CANNOT BE STRICTLY FOLLOWED.

- Before each usage or assembly, inspect unit for damaged hardware, loose joints, missing parts or sharp edges. NEVER use this product if there are any loose or missing fasteners, loose joints, broken parts, or torn mesh/fabric. Check before assembly and periodically during use. Contact Customer Service Department at (646) 435-8726 (8:00am ~ 4:30pm PST) for replacement parts, repair or instructions.

SUFFOCATION HAZARD

Infants have suffocated:

- In gaps between an extra padding, a mattress (too small or too thick) and product sides.
- On soft bedding.
- Use only the pad provided by the manufacturer that is no thicker than 25 mm (1 in) and is of such a size that, when pushed against any side of the product, it does not leave a gap of more than 25 mm (1 in) between the mattress and sides.
- **NEVER** add a pillow, comforter or another mattress for padding.
- **DO NOT** leave child unattended in the bassinet when it is in the “rocking/gliding” mode. Always make sure the wheels or stands are in the locked “down” position. Remove any tools or excess parts including plastic packaging from bassinet vicinity after assembly.

FALL HAZARD: To help prevent falls, **DO NOT** use this product when the infant begins to push up on hands and knees or has reached manufacturer’s recommended maximum weight of 6.8kg (15lbs), whichever comes first.

STRANGULATION HAZARD: Children have **STRANGLED** in cords. Keep the cord out of reach of children.

- Strings can cause strangulation! **DO NOT** place items with a string around a child’s neck, such as hood strings or pacifier cords. **DO NOT** suspend strings over a product or attach strings to toys.
- **ALWAYS** use product on the floor. Never use on an elevated surface.
- To reduce the risk of SIDS, pediatricians recommend healthy infants be placed on their backs to sleep, unless otherwise advised by your physician.
- **ALWAYS** attach all provided fasteners tightly according to the instructions. Check frequently. Do not use if there are any loose or missing parts or signs of damage. Do not substitute parts. Contact the manufacturer for replacement parts.
- Use bassinet with only one child at a time.
- Toys are not to be “mouthed” by the baby and should be positioned clearly out of reach of the baby’s face and mouth.
- Do not place medication, small toys, small items, cords, straps or similar items that could become wound around the child’s neck in or near this product and do not place product near a window, patio door, heater, or power outlet.
- If a sheet is used with the pad, use only the one provided by the manufacturer or one specifically designed to fit the dimensions of the bassinet mattress.



Please DO NOT return this product to the store.

If you experience any difficulty with assembly, missing parts or use, please **DO NOT** return this item to the store. Retail stores are unable to properly assist you. Contact our **Customer Service Department** directly for assistance (646) 435-8726.



www.DeltaChildren.com • gcs@simmonkids.com

©2018 Delta Children's Products, Inc. New York, NY 10001



EXTENDED WARRANTY

DON'T MISS YOUR CHANCE TO BE COVERED FOR ALL OF LIFE'S MISHAPS!

With Delta's Extended Warranty, you're covered for mechanical failure from normal use or if your item stops working due to normal wear and tear, plus all those unexpected surprises.

2 YEARS OF PROTECTION

For Additional Information:

Simply visit our Website, register your product, and add the Extended Warranty

<https://www.deltachildren.com/pages/product-registration>

Extended Warranty only available in the following States: Arkansas, Colorado, Delaware, District of Columbia, Georgia, Idaho, Illinois, Indiana, Iowa, Kansas, Kentucky, Louisiana, Maryland, Michigan, Mississippi, Missouri, Nebraska, Nevada, New Hampshire, New York, North Carolina, North Dakota, Pennsylvania, Rhode Island, South Dakota, Tennessee, Utah, West Virginia

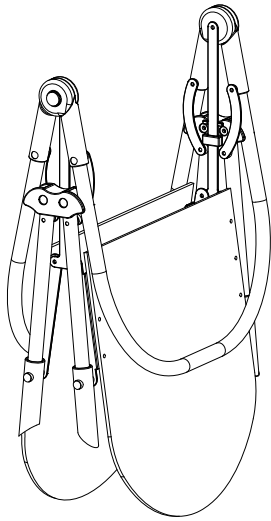
Parts

IMPORTANT! Please remove all parts from the package and identify them before assembly

Product Weight:
9.5 Lbs.

Product Assembled Dimensions:
29" L x 18" W x 11 ¾" H

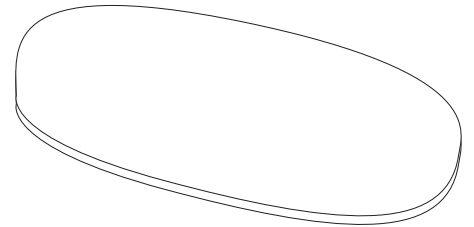
Product Folded Dimensions:
23" L x 18" W x 7" H



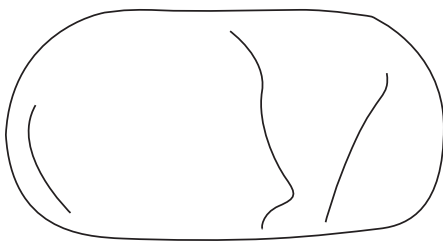
Folded Frame



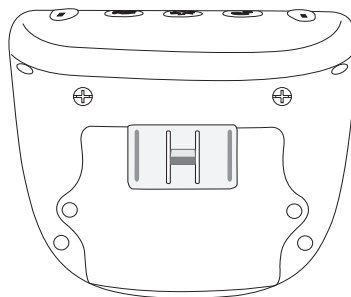
Fabric Cover



Mattress Pad
Part # 50348



Sheet
Part # 50432



Music Module
Part # 50349



Travel Bag

Bassinet Assembly

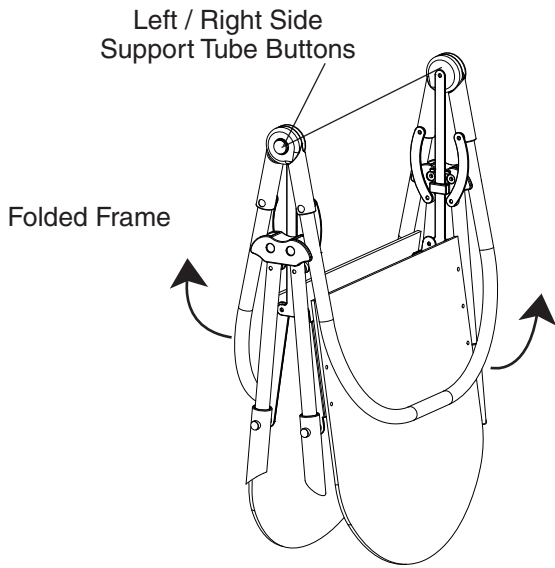


Fig. 1

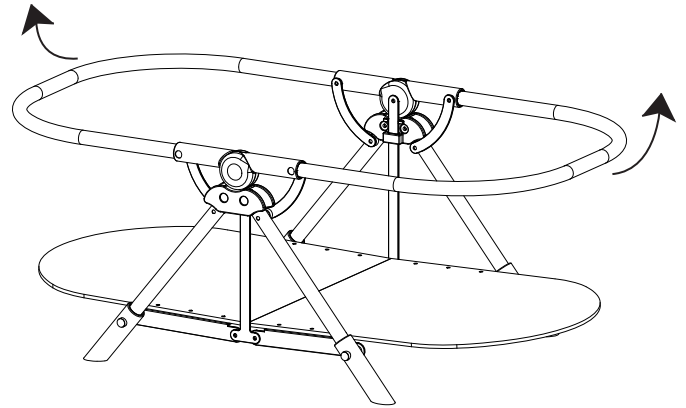


Fig. 1A

1

- Locate the folded frame. (Fig. 1)
- Press both left and right support tube buttons, rotate both support tube buttons upward until they “click” into a fully opened and locked position. (Fig. 1A)

Attaching Fabric Cover

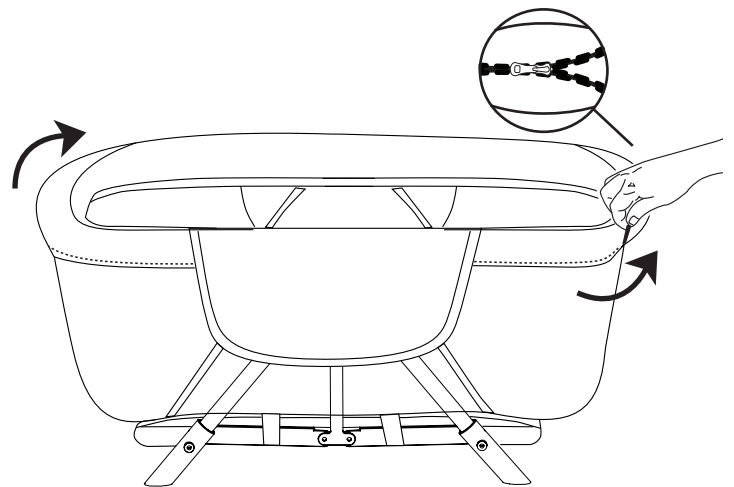
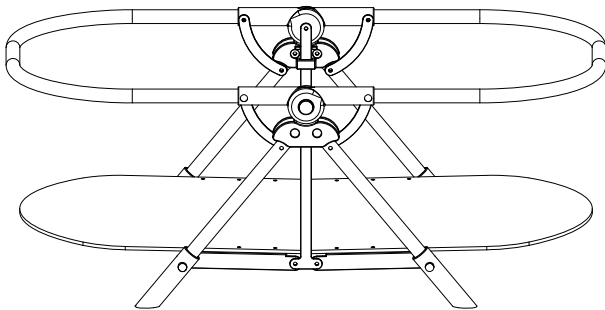
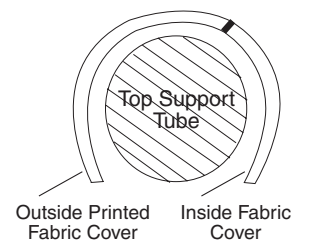


Fig. 2

2

- Attach the fabric cover by lining up the fabric around the top tubing and zipping the right / left sides until fully zipped. (Fig. 2)



Attaching Fabric Cover

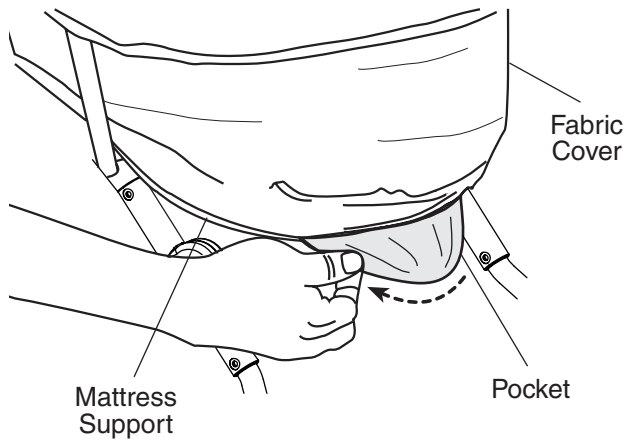


Fig. 3

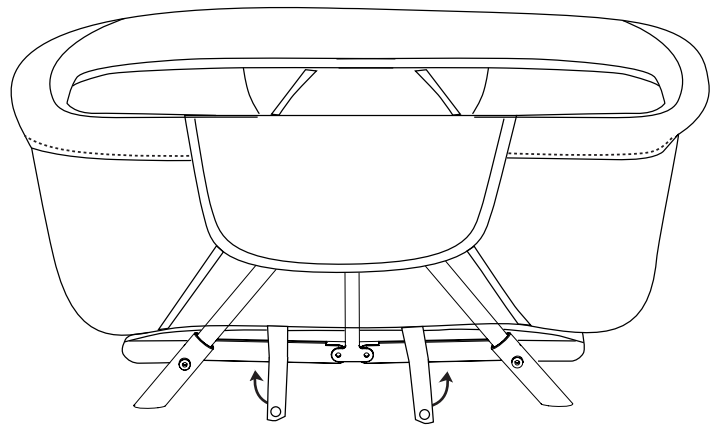


Fig. 4

3

- Stretch the pockets on the bottom of the liner of the ends of the mattress support. (Fig. 3)

4

- Snap the 4 straps located on the left and right side of the bassinet. (Fig. 4)

Mattress Pad Placement

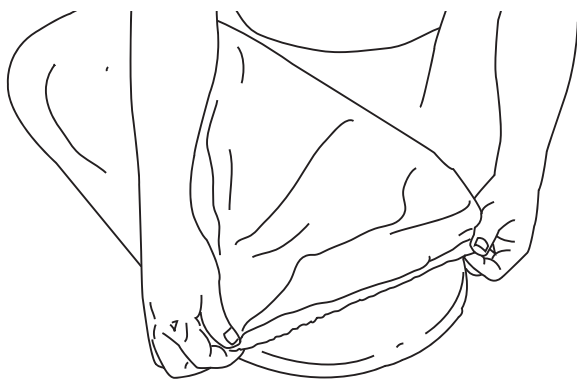


Fig. 5

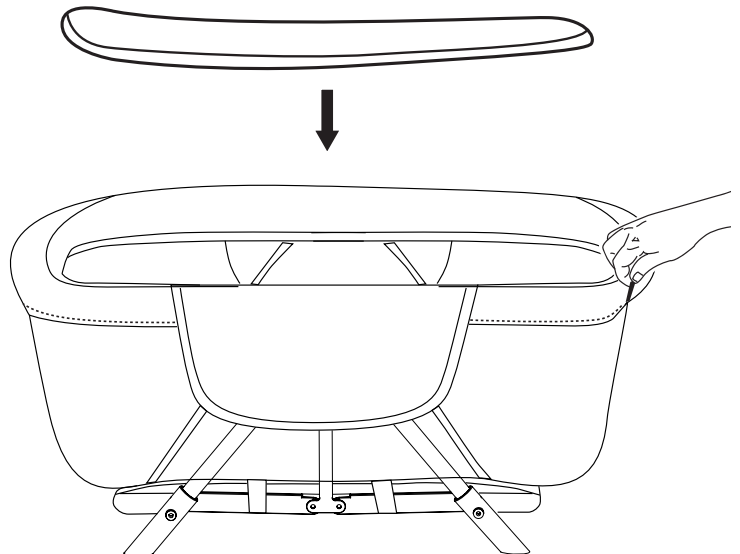


Fig. 6

5

- Place the sheet over the mattress pad. (Fig. 5)

6

- Place the mattress pad with sheet into the fully assembled bassinet. (Fig. 6) Make sure the bassinet mattress pad is flat.

Attaching Music Module

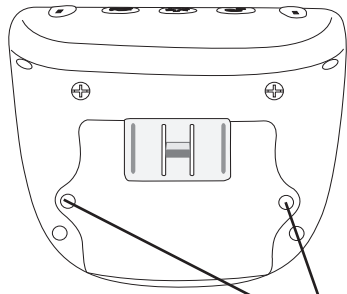
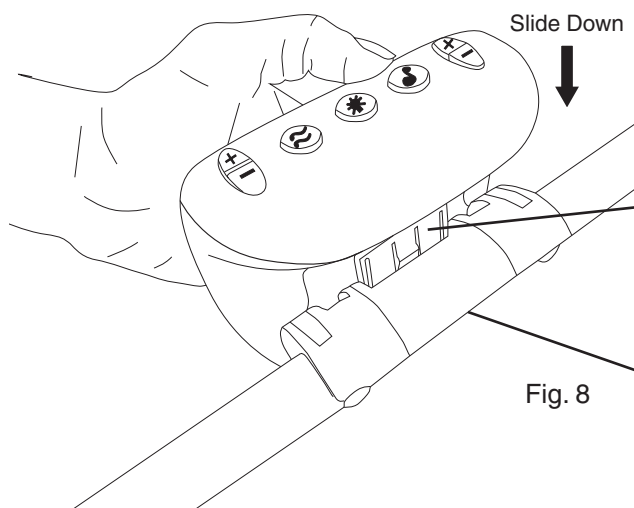


Fig. 7

Loosen Screws

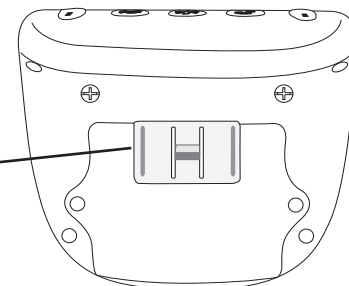
7

- Locate battery Compartment on the front of music module. Loosen screw in Battery Compartment with Phillips Head screwdriver.
 - Lift to remove door. Insert four (4) "AA" alkaline batteries.
 - Replace door and tighten screw.
- HINT:** We recommend using **alkaline** batteries for longer battery life.

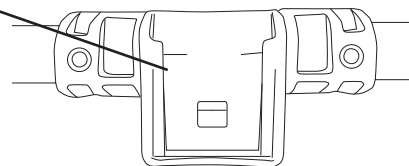


Slide Down

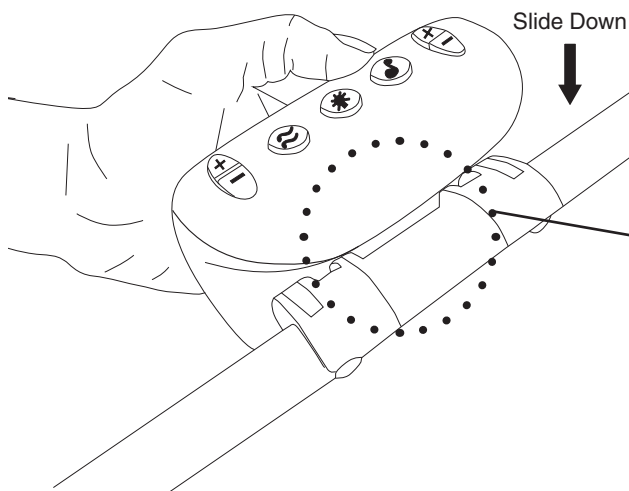
Fig. 8



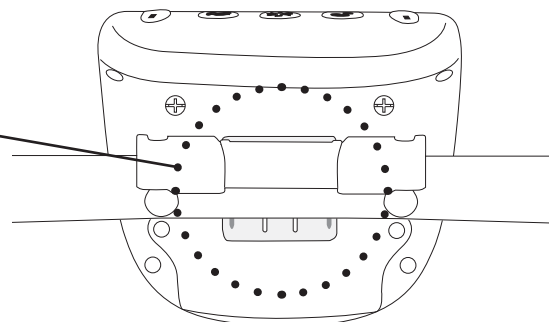
Music Module Clip



Housing Track



Slide Down

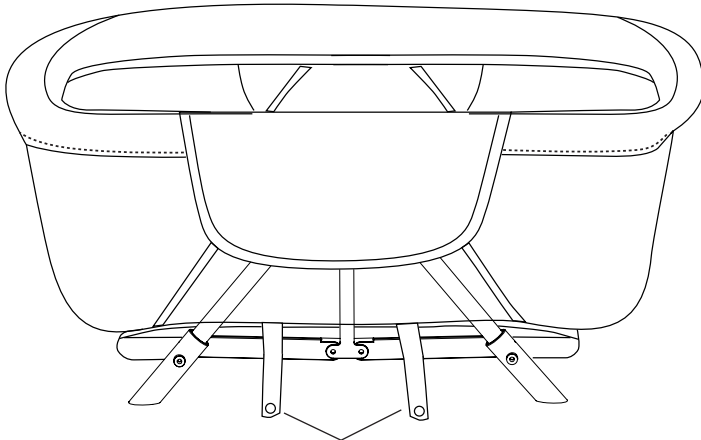


Music Module Clip fully attached to the housing track

8

- Slide down the music module clip into the housing track (Fig.8) located at the bottom of the bassinet frame.

Removing Fabric Cover



Straps
Located on front and back side

Fig. 9

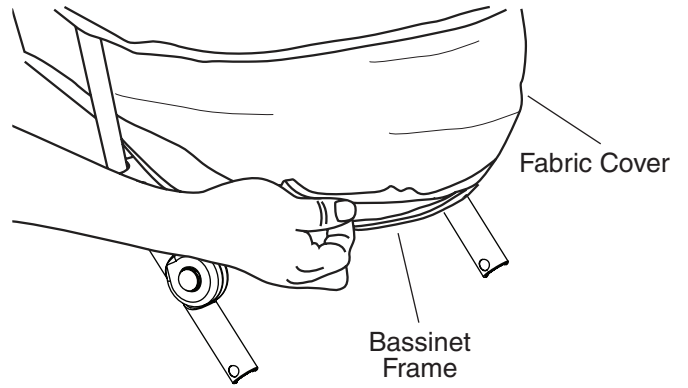


Fig. 11

9

- Unsnap the 4 straps located on the left and right of the bassinet. (Fig. 9)

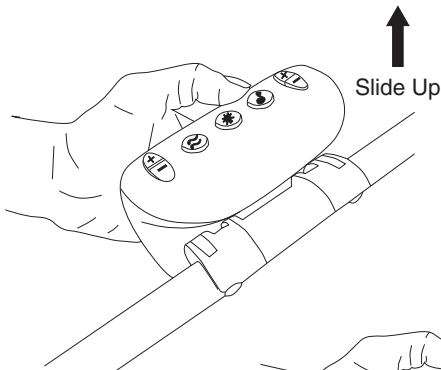


Fig. 10

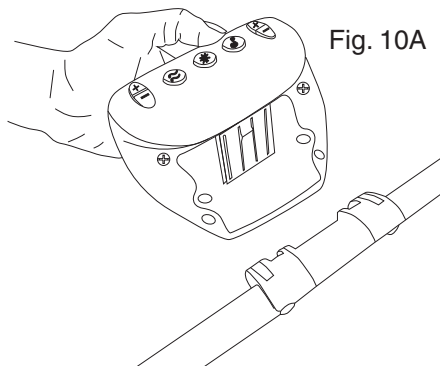


Fig. 10A

10

- Slide up the music module clip from the housing track (Fig. 10) located at the bottom of the bassinet frame until the music module comes out (Fig 10A).

11

- Remove the fabric cover by pulling off the liner located under the bassinet frame. (Fig. 11)

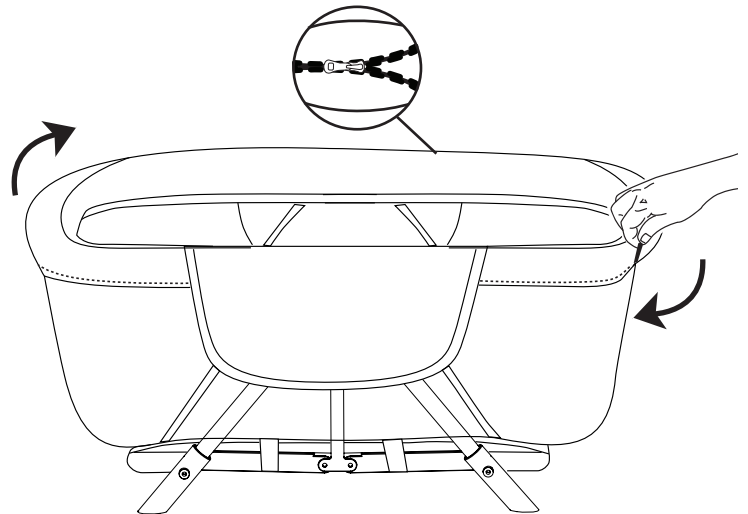
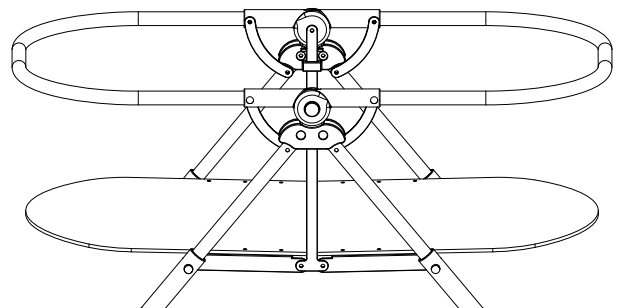


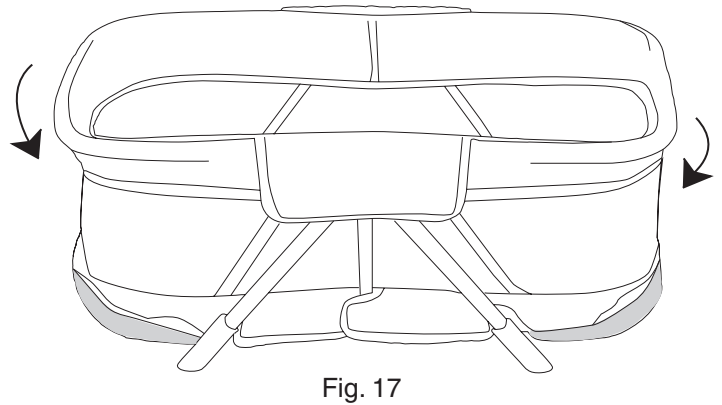
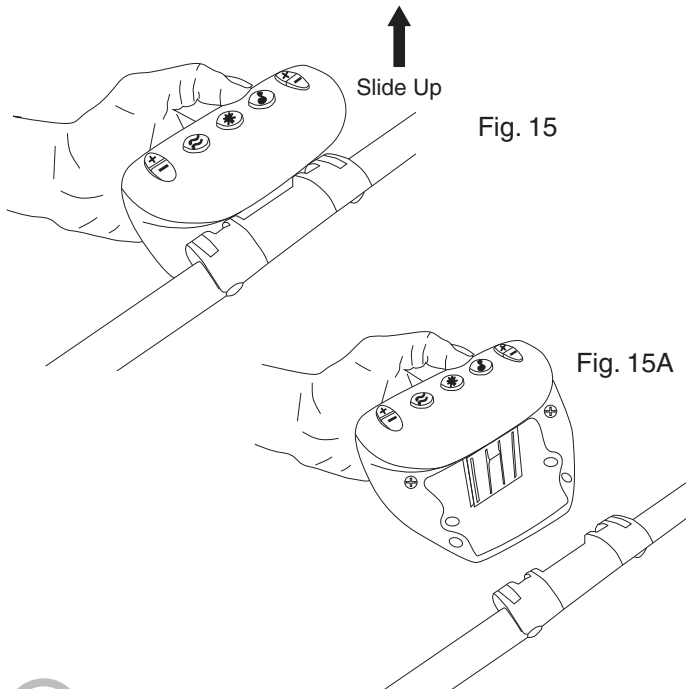
Fig. 12

12

- Unzip the fabric cover from right / left sides until fabric is fully unzipped. (Fig. 12)



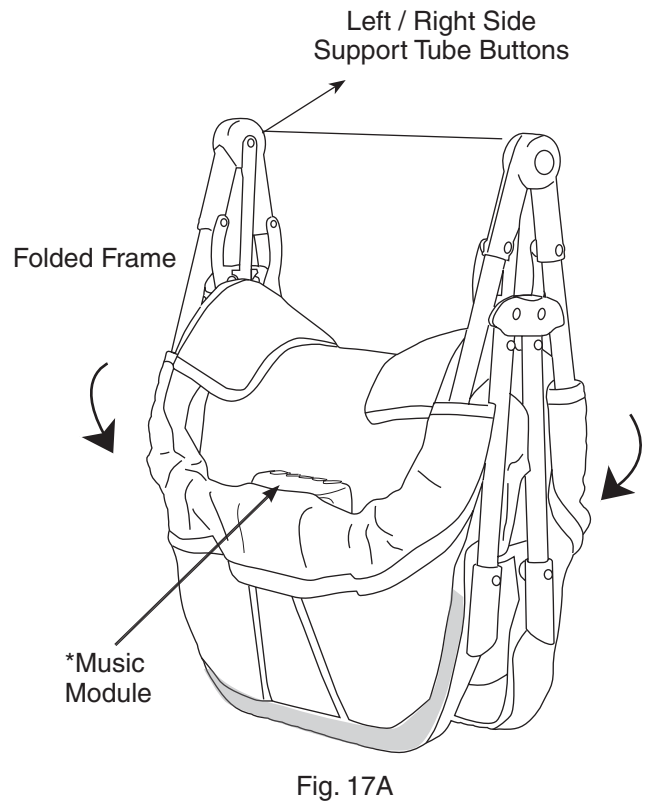
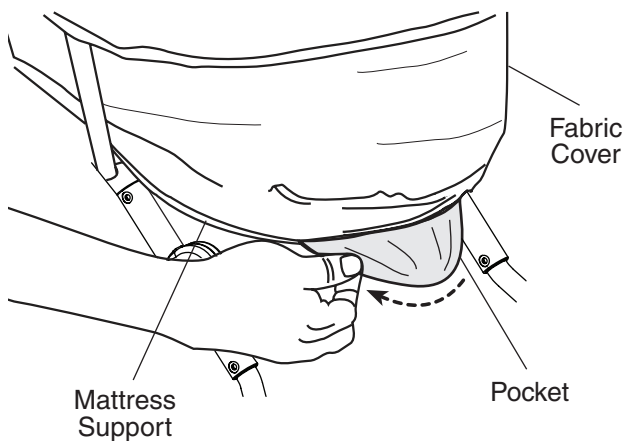
Folding Bassinet



15

- Detach music module from housing track (Fig. 15) located at the bottom of the bassinet frame. Slide music module upward until completely detach. (Fig 15A).

*If folding with fabric cover attached, first remove fabric liner from under bassinet frame



16

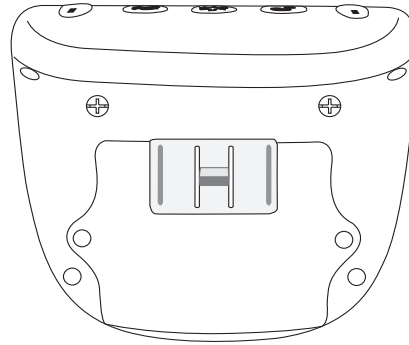
- Unsnap the 4 straps located on the left and right of the bassinet.
- Remove the fabric cover by pulling off the liner located under the bassinet frame. (Fig. 16)

17

- Press both left and right support tube buttons (Fig. 17) rotate both support tubes downward until they “click” into a fully closed and locked position. (Fig. 17A)

NOTE: Music module can be stored within folded fabric pocket.

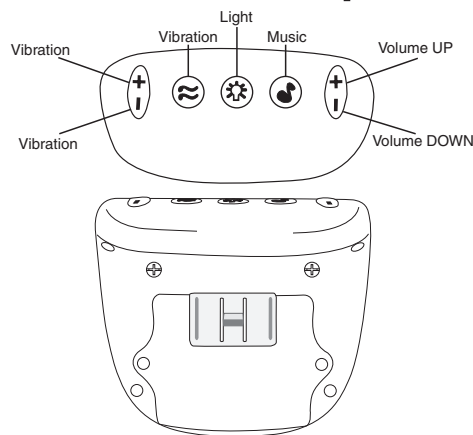
Battery Safety Information



In exceptional circumstances, batteries may leak fluids that can cause a chemical burn injury or ruin your product. To avoid battery leakage;


- Do not mix old and new batteries or batteries of different types: Alkaline, standard (carbon zinc) or rechargeable (nickel-cadmium).
- Insert batteries as indicated inside battery compartment.
- Remove batteries during long periods of non-use. Always remove exhausted batteries from the product. Dispose of batteries safely. Do not dispose of product in a fire. The batteries inside may explode or leak.
- Never short-circuit the battery terminals.
- Use only batteries of the same or equivalent type as recommended.
- Do not charge non-rechargeable batteries.
- Remove rechargeable batteries from the product before charging.
- If removable, rechargeable batteries are used, they are only to be charged under adult supervision.

Music Module Operation




- Activate bassinet light by pressing LIGHT button  on top of the music module.

NOTE: Light will stay on in 10-minute cycles, unless button is pressed before 10 minutes are up.

- Press MUSIC button () on top of the music module to activate MUSIC. Press button multiple times to cycle through three (3) music melodies.

- Volume can be adjusted with UP/DOWN buttons on the top of the music module.

- Press VIBRATION button () on top of the music module to activate VIBRATION. The intensity can be adjusted with UP/DOWN button on the top of the music module.

NOTE: Vibration will stay on in 10-minute cycles, unless button is pressed before 10 minutes are up.

CARE AND MAINTENANCE

- The bassinet fabric cover is machine washable. Wash them separately in cold water on the gentle cycle. Do not use bleach. Tumble dry separately on low heat and remove promptly.
- The frame and music module may be wiped clean using a mild cleaning solution and a damp cloth. Do not use bleach. Do not use harsh or abrasive cleaners. Rinse clean with water to remove residue. Do not immerse the frame.
- Before each usage or assembly, inspect unit for damaged hardware, loose joints, missing parts or sharp edges. NEVER use this product if there are any loose or missing fasteners, loose joints, broken parts, or torn mesh/fabric. Check before assembly and periodically during use. Contact Customer Service Department at (646) 435-8726 (8:00am ~ 4:30pm PST) for replacement parts, repair or instructions.

Notes



Delta Children's Products Corp

114 West 26th Street
New York, NY 10001
(646) 435-8726
www.deltachildren.com