

ULTRA COMPACT E-Z FOLD BASSINET



Read all instructions BEFORE assembly and USE of product. KEEP INSTRUCTIONS FOR FUTURE USE.

25402

**ADULT ASSEMBLY REQUIRED
THIS PRODUCT CONTAINS SMALL PARTS
STYLES AND COLORS MAY VARY**



Customer Service: 1-(800)-377-3777

www.DeltaChildren.com

DCP-IM-11212017-F1

Consumer Information



WARNING

Failure to follow these warnings and the instructions could result in serious injury or death.

- **Read all instructions before assembling unit.**

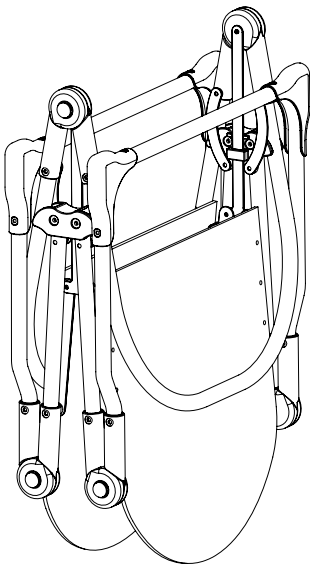
KEEP INSTRUCTIONS FOR FUTURE USE.

DO NOT USE THIS UNIT IF THE INSTRUCTIONS CANNOT BE STRICTLY FOLLOWED.

- Before each usage or assembly, inspect unit for damaged hardware, loose joints, missing parts or sharp edges. NEVER use this product if there are any loose or missing fasteners, loose joints, broken parts, or torn mesh/fabric. Check before assembly and periodically during use. Contact Delta Children's Product Customer Service Department at 1-800-377-3777 (8:00am ~ 4:30pm PST) for replacement parts, repair or instructions.
- **DO NOT** substitute parts.
- **FALL HAZARD**—To help prevent falls, DO NOT use this product when the infant begins to push up on hands and knees or has reached manufacturer's recommended maximum weight of 15lbs. (6.8kg), whichever comes first.
- Use bassinet with only one child at a time.
- Strings can cause strangulation! DO NOT place items with a string around a child's neck, such as hood strings or pacifier cords. DO NOT suspend strings over a product or attach strings to toys.
- **SUFFOCATION HAZARD:** Infants have suffocated:
 - In gaps between an extra padding and side of the bassinet/cradle.
 - On soft bedding.
- Use ONLY the pad provided by the manufacturer. **NEVER** add a pillow, comforter or another mattress for padding.
- If a sheet is used with the pad, use only the one provided by the manufacturer or one specifically designed to fit the dimensions of the bassinet/cradle.
- To reduce the risk of SIDS, pediatricians recommend healthy infants be placed on their back to sleep, unless otherwise advised by your physician.
- Never use plastic shipping bags or other plastic film as a mattress covers not sold and intended for that purpose. They can cause suffocation.
- **DO NOT** place bassinet near a window where cords from blinds or drapes may strangle a child. Child may fall out of window.
- **DO NOT** place cords, straps or similar items that could become wound around a child's neck in or near the bassinet.

Parts

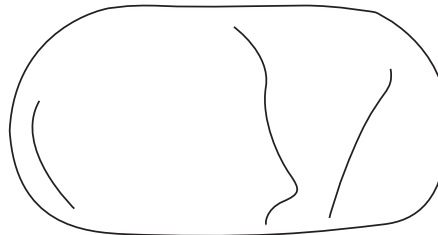
IMPORTANT! Please remove all parts from the package and identify them before assembly.



Folded Frame



Fabric Cover



Mattress Pad with Sheet



Travel Bag

Bassinet Assembly

Folded Frame

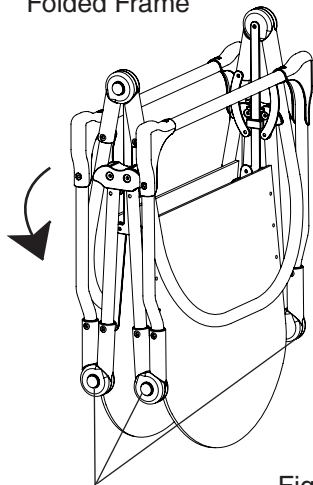


Fig. 1

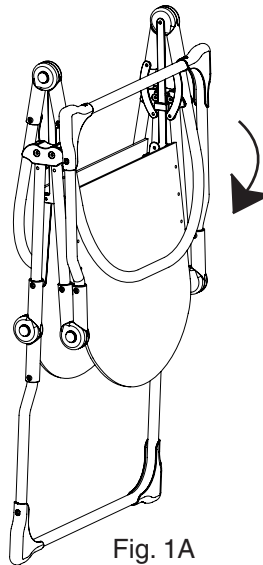


Fig. 1A

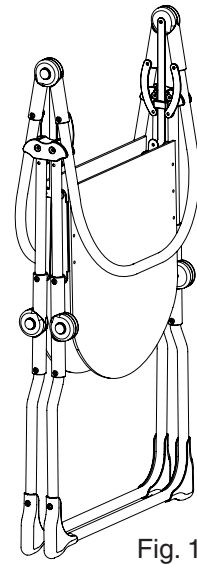


Fig. 1B

Left / Right Side Base Support Tube Buttons

1

- Locate the folded frame. (Fig. 1)
- Press the left / right side base support tube buttons. Rotate the left / right side base support tube downward until they “click” into a fully opened and locked position. (Fig. 1A) Repeat on opposite side. (Fig. 1B)

Bassinet Assembly

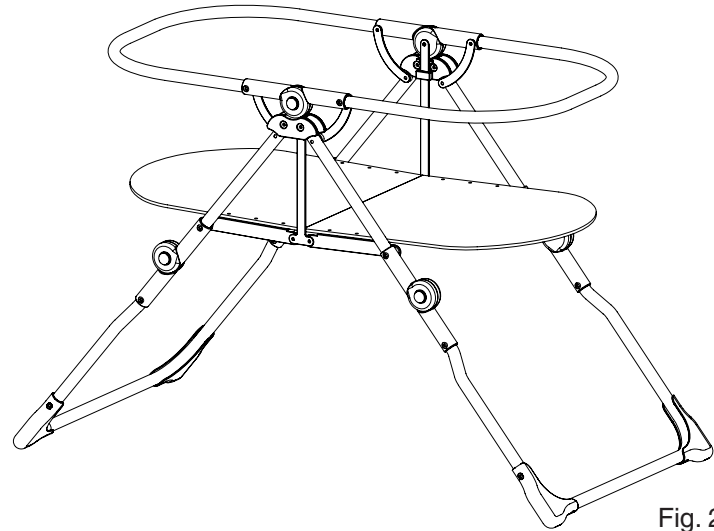
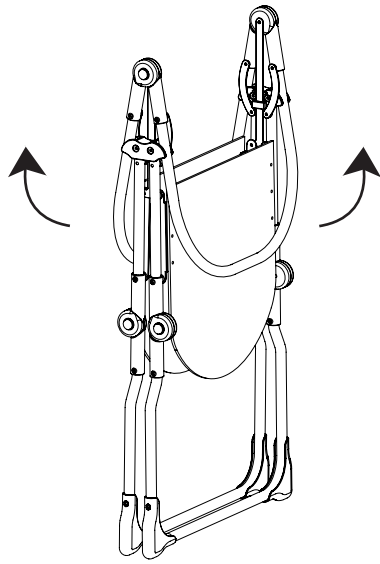


Fig. 2

2

- Rotate both top support tubes upward until they “click” into a fully opened and locked position. (Fig. 2)

Attaching Fabric Cover

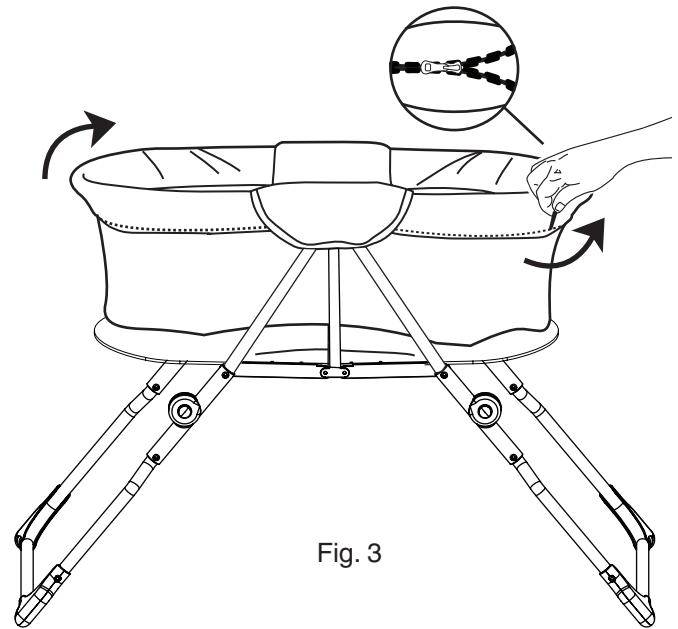
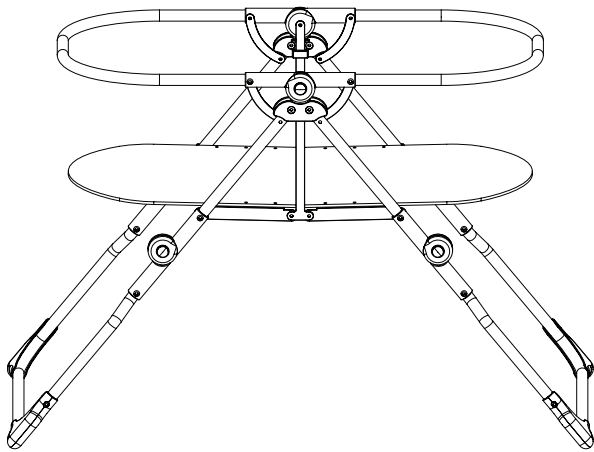
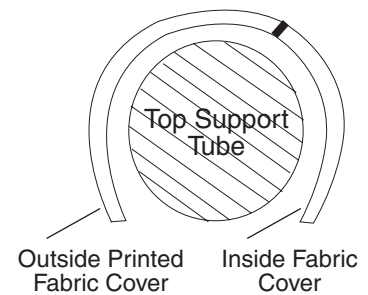


Fig. 3

1

- Attach the fabric cover by lining up the fabric around the top tubing and zipping the right / left sides until fully zipped. (Fig. 3)



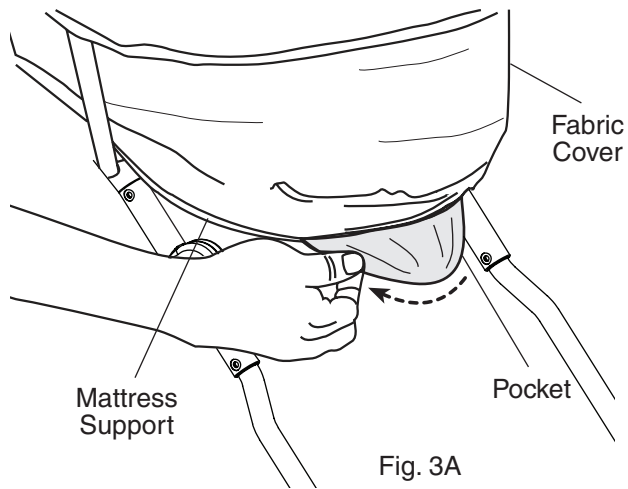


Fig. 3A

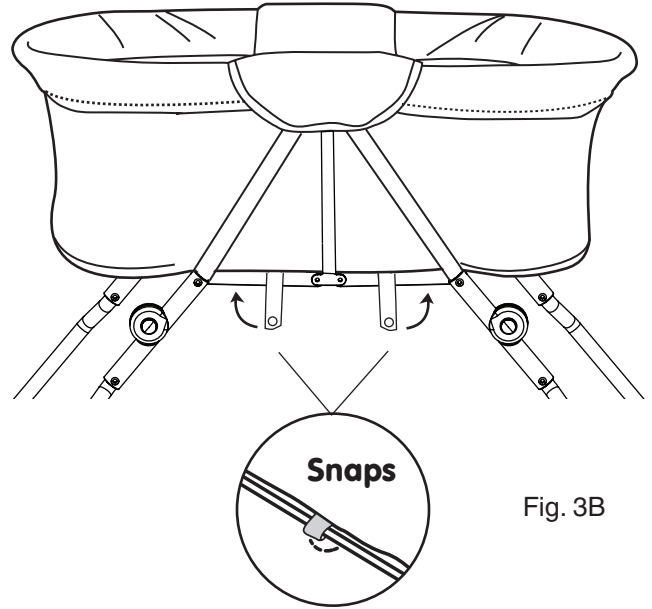


Fig. 3B

2

- Stretch the pockets on the bottom of the liner around the ends of the mattress support. (Fig. 3A)

3

- Snap the 4 straps located on the left and right side of the bassinet. (Fig. 3B)

Mattress Pad Placement

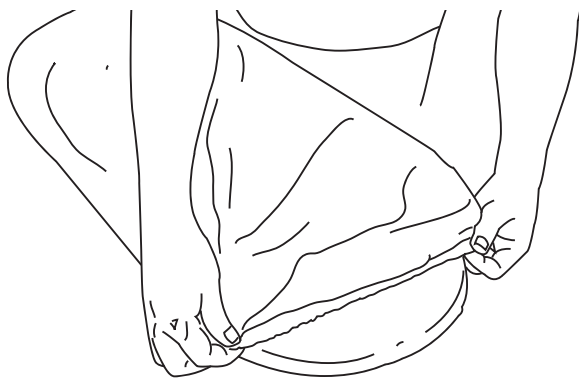


Fig. 4

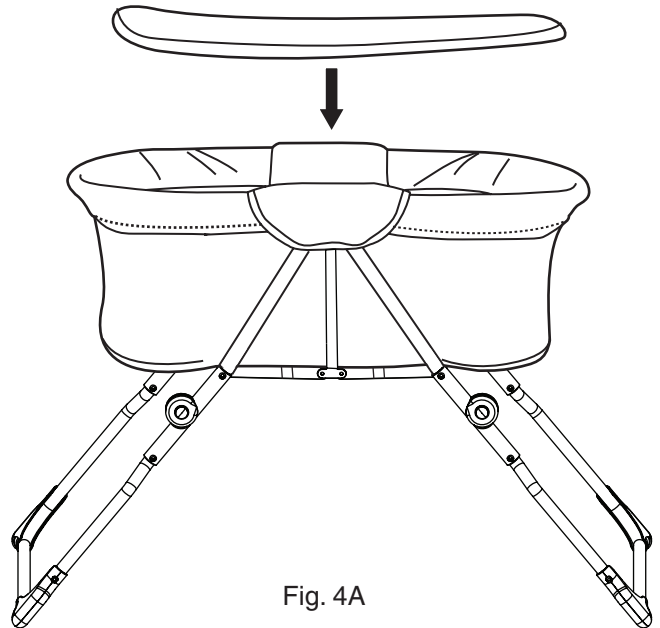


Fig. 4A

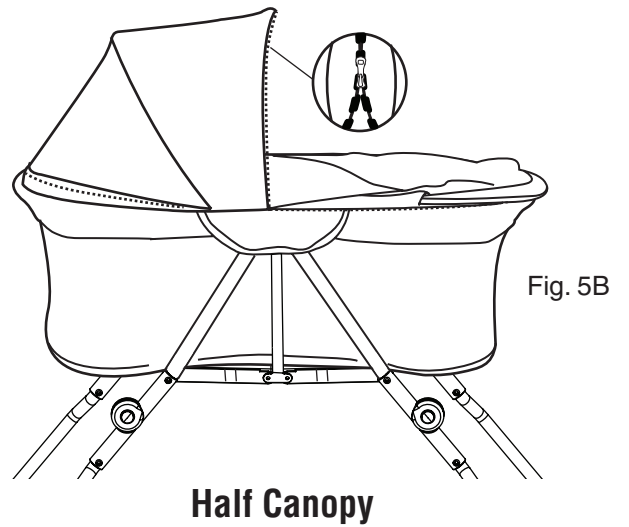
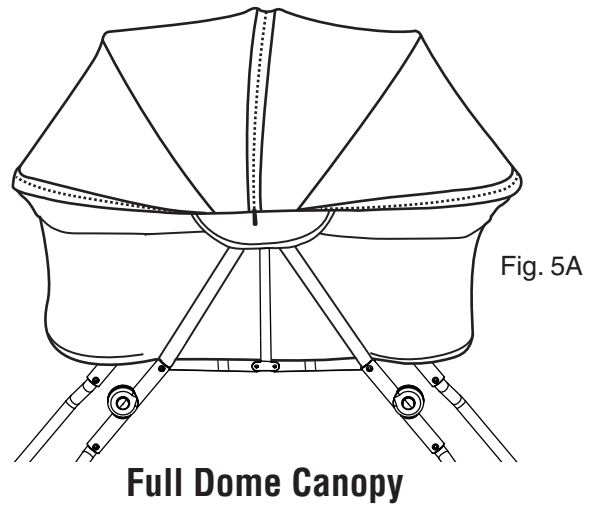
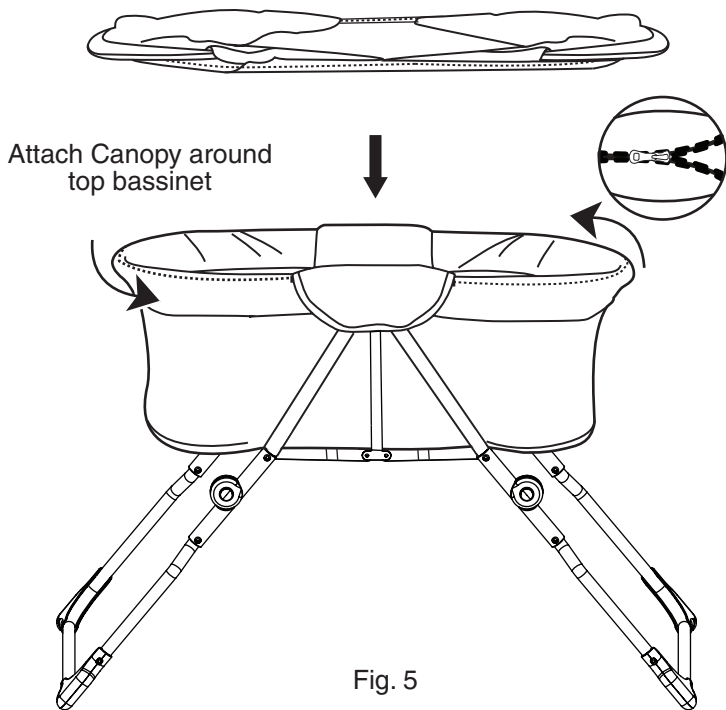
1

- Place the sheet over the mattress pad. (Fig. 4)

2

- Place the mattress pad with sheet into the fully assembled bassinet. (Fig. 4A) Make sure the bassinet mattress pad is flat.

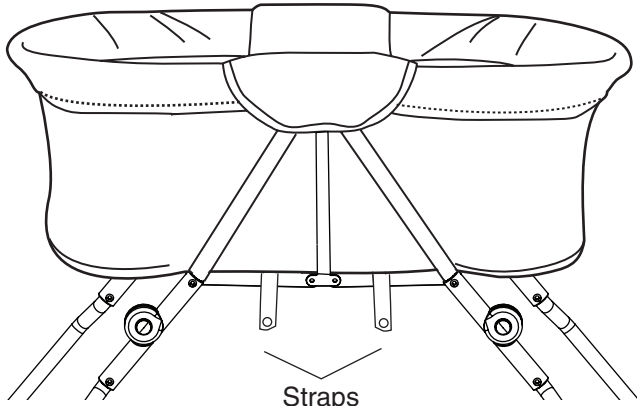
Attaching Canopy



1

- To attach full dome canopy, align the fabric zipper edge with the top bassinet zipper edge and zip around the bassinet until fully zipped (Fig. 5). Then zip the center zipper on the canopy until fully zipped. (Fig. 5A)
- For half canopy option, unzip the center of the full dome canopy, and remove opposite side canopy. (Fig. 5B)

Removing Fabric Cover



Located on front and back side

Fig. 6

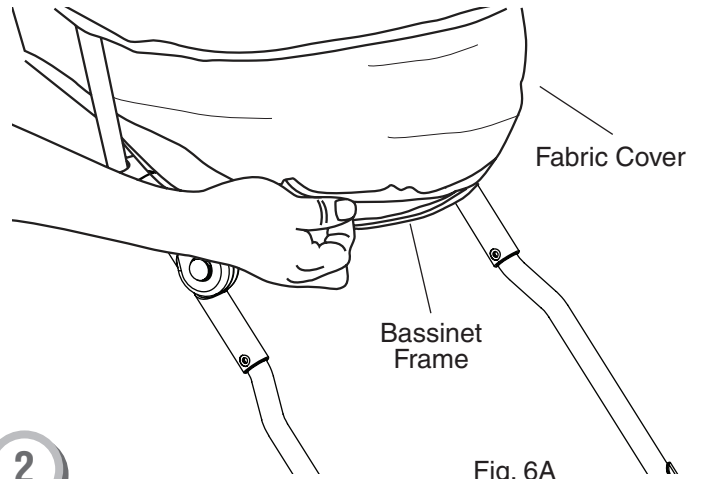


Fig. 6A

1

- Unsnap the 4 straps located on the left and right of the bassinet. (Fig. 6)

2

- Remove the fabric cover by pulling off the liner located under the bassinet frame. (Fig. 6 A)

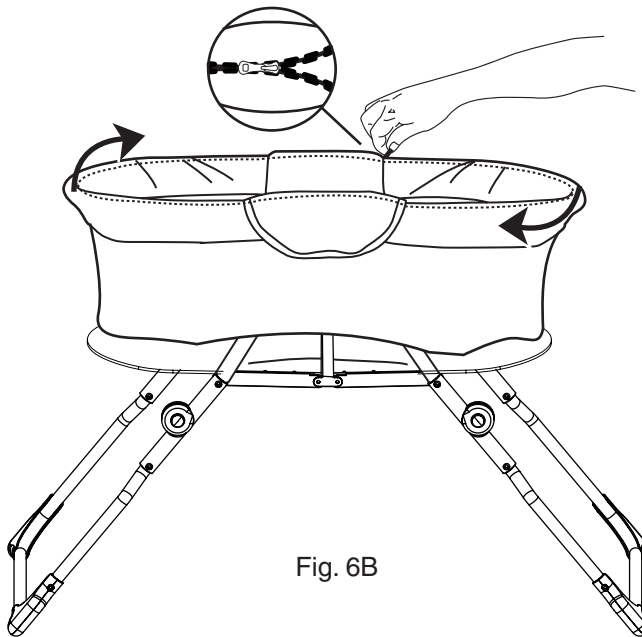
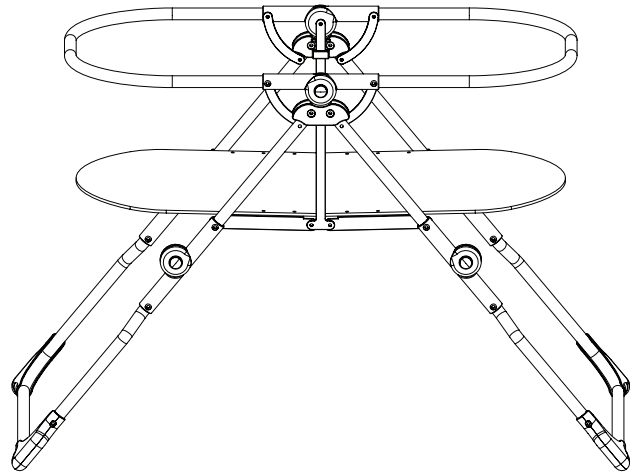


Fig. 6B

3

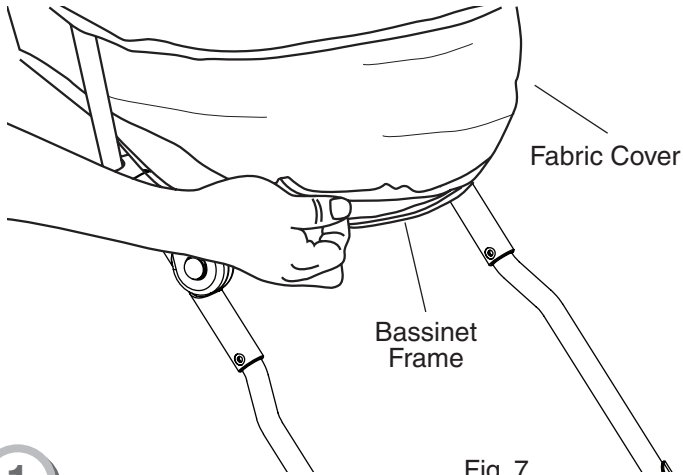
- Unzip the fabric cover from right / left sides until fabric is fully unzipped. (Fig. 6B)



Folding Bassinet

NOTE: Bassinet can be folded with fabric cover attached.

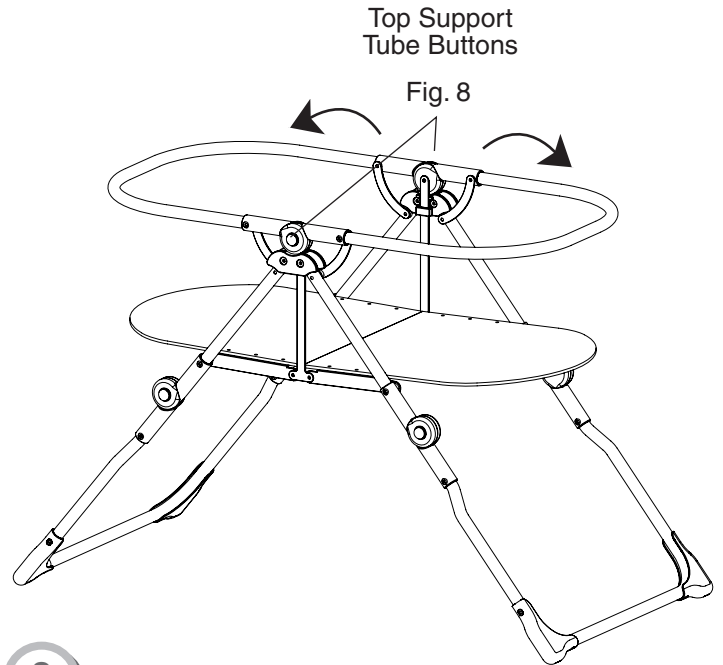
*If folding with fabric cover attached, first remove fabric liner from under bassinet frame



1

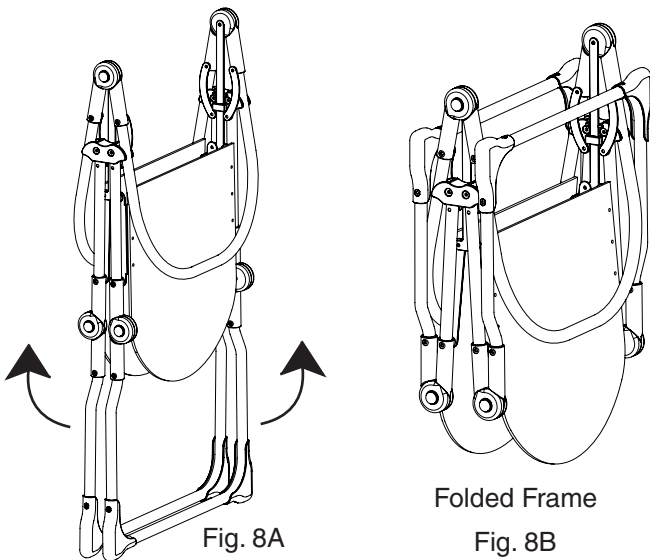
Fig. 7

- Remove the fabric cover by pulling off the liner located under the bassinet frame. (Fig. 7)



2

- Press both left and right top support tube buttons (Fig. 8), rotate both top support tubes downward until they “click” into a fully closed and locked position.



3

- Press the left / right side base support tube buttons located on both left / right sides of the base support tube. Rotate the left / right side base support tube upward. (Fig. 8A) Fully folded frame (Fig. 8B)

CARE AND MAINTENANCE

Check bassinet for worn parts, torn material or stitching periodically. Replace or repair the parts as needed. Use Delta replacement parts.

The bassinet fabric cover is machine washable. Wash them separately in cold water on the gentle cycle. Do not use bleach. Tumble dry separately on low heat and remove promptly.

The frame may be wiped clean using a mild cleaning solution and a damp cloth. Do not use bleach. Do not use harsh or abrasive cleaners. Rinse clean with water to remove residue. Do not immerse the frame.



Delta Childrens Products Corp.
114 West 26th Street
New York, NY 10001
1-800-377-3777
www.deltachildren.com