

PERFECT FIT MULTI-USE HIGH CHAIR



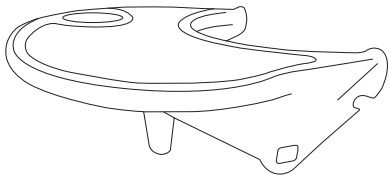
INSTRUCTION MANUAL

ADULT ASSEMBLY REQUIRED
THIS PRODUCT CONTAINS SMALL PARTS
STYLES AND COLORS MAY VARY
23012

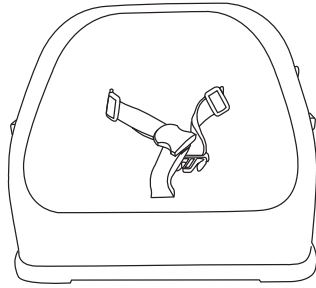


Read all instructions BEFORE assembly and USE of product. KEEP INSTRUCTIONS FOR FUTURE USE.

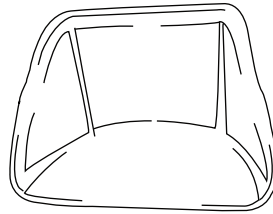
PARTS



Child Tray
Part # 50271



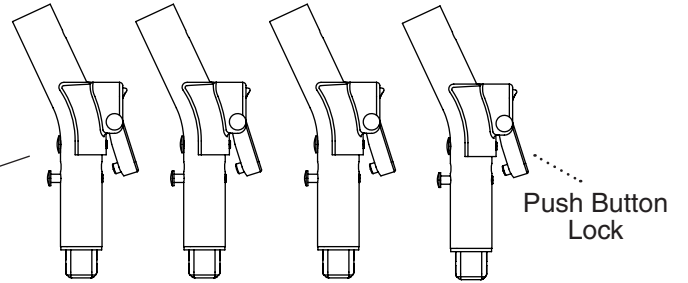
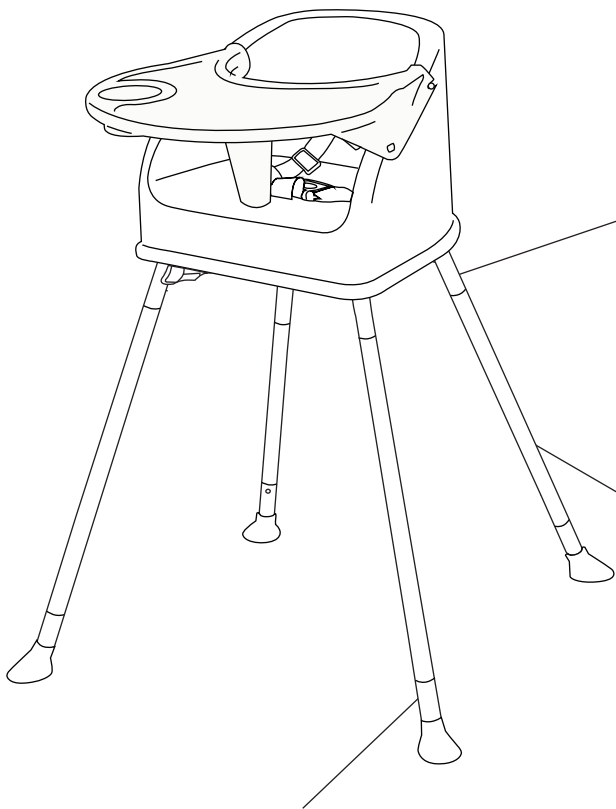
Seat



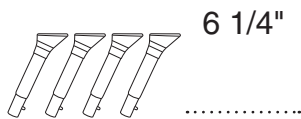
Seat Pad
Part # 50277



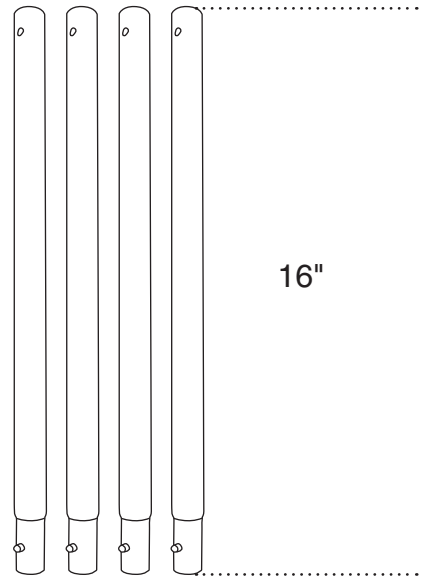
4 Feet
Grey Part # 50275
Red Part # 50267



4 Bent Top Leg Seat Tube
Part # 50273



4 Bottom Infant / Toddler Straight
Extension Tube
Part # 50272



4 Center High Chair Extension
Tube
Part # 50270

! WARNING

WARNING: When not buckled in seat, children can escape and fall suddenly.

WARNING: Always use with the restraint belt.

WARNING: Only use the seat on floor or level ground surface.

WARNING: Never use on raised surfaces such as tables, counters, chairs, beds, or near stairs. Even a belted baby can cause the seat to slide or move off raised surfaces.

WARNING: Always stay with and watch your baby during use.

WARNING: Never use the floor seat in or near water to avoid drowning.

WARNING: Until child is able to get in and out of the booster seat without help (about 2 1/2 years old), the child should be secured in the booster seat at all times by the restraining system. The tray is not designed to hold the child in the chair.

FLOOR SEAT ASSEMBLY

NOTE: SEAT COVER IS REVERSIBLE

1. Place floor seat on a level floor only never on a raised surface (Fig. 1).

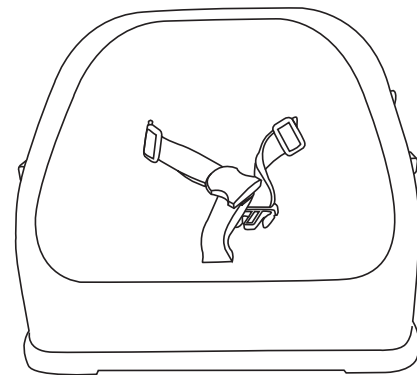


Fig. 1

2. Place child into floor seat and securely fasten into seat with harness. To tighten harness position the crotch belt between your child's legs. Fasten both waist belts to the buckle on each side of the crotch belt. Make sure you hear a "click" on both sides. Check to be sure the restraint system is securely attached by pulling it away from your child. The restraint system should remain attached (Fig 2).

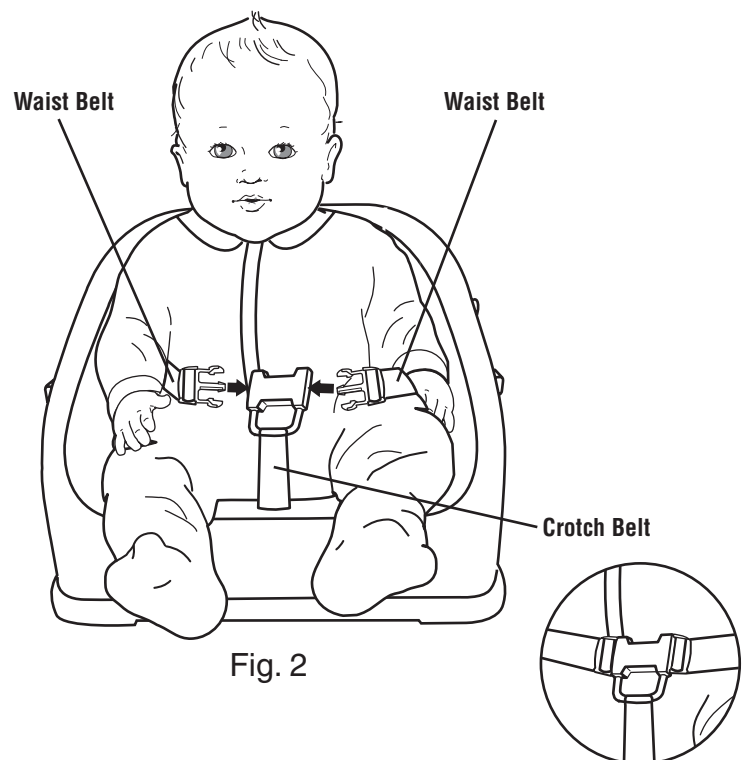


Fig. 2

Fully Locked
Safety Harness

CHILD SAFETY HARNESS

3. To properly install the child safety harness, take the strap lock and insert strap and entire strap buckle into the slot on back of chair (Fig 3).

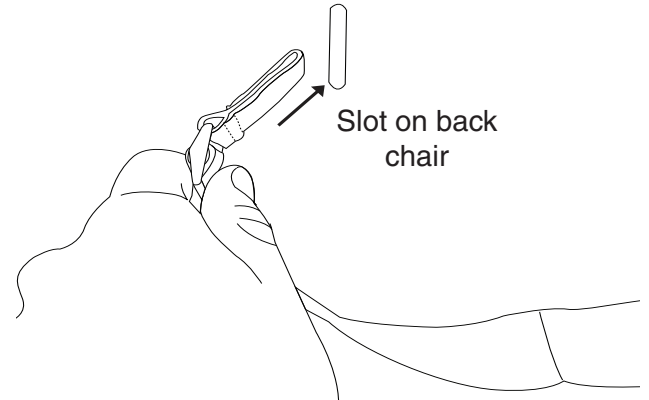


Fig. 3

4. Flip seat over and make sure the strap buckle lays flat and pulls against the back of the chair. Repeat steps for each (3) strap lock. Make sure all (3) strap locks and laying flat against chair bottom. See figure 4 and 4a for reference. For removal of child harness pull on end strap of strap lock and glide entire strap lock through the slots on chair. Repeat (3X) for complete removal of harness.

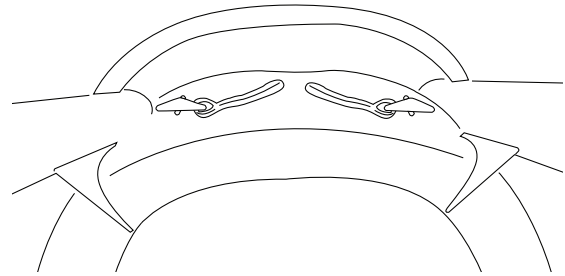


Fig. 4

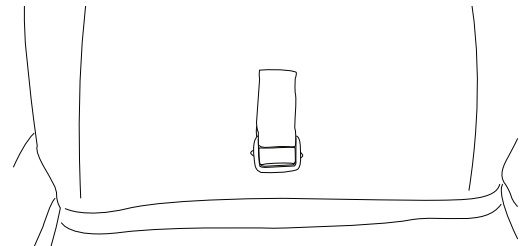


Fig. 4a

! WARNING

WARNING: When not buckled in seat, children can escape and fall suddenly.

WARNING: Always use with the restraint belt.

WARNING: Only use the seat on floor or level ground surface.

WARNING: Never use on raised surfaces such as tables, counters, chairs, beds, or near stairs. Even a belted baby can cause the seat to slide or move off raised surfaces.

WARNING: Always stay with and watch your baby during use.

WARNING: Never use the floor seat in or near water to avoid drowning.

INFANT CHAIR ASSEMBLY

NOTE: SEAT COVER IS REVERSIBLE

1. Flip floor seat over to see bottom. (Fig 5).

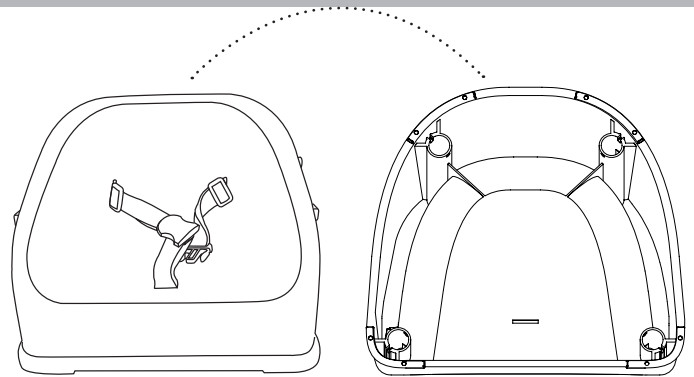
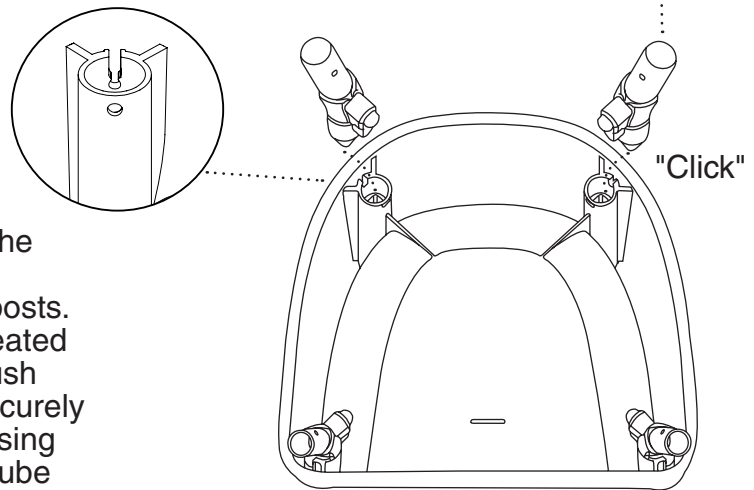


Fig. 5

Bent Top Leg Seat Tube



2. Find the bent top leg seat tube, press in the push button locking tab before sliding the bent top leg seat tube into seat housing posts. Once the bent top leg seat tube is fully seated into the seat housing post, release the push button locking tab so the locking tab is securely fastened into the corresponding seat housing post through hole. The bent top leg seat tube should also have the seat tube post locked into the slot on the seat housing post on the back side of the seat posts. (Fig. 6)

To make sure they are securely locked in place, pull upward on the bent top leg seat tube.

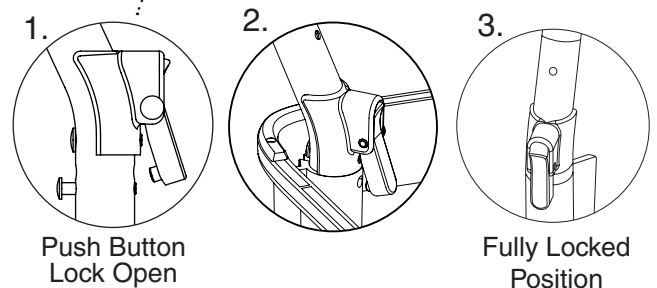
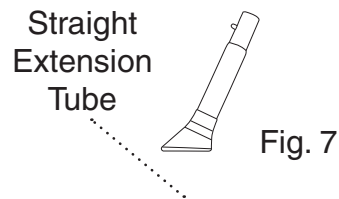


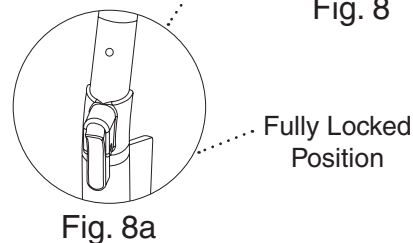
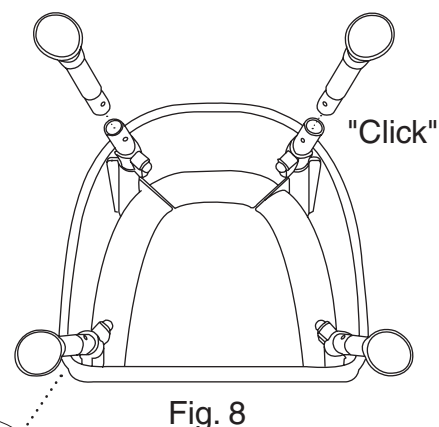
Fig. 6

INFANT CHAIR ASSEMBLY

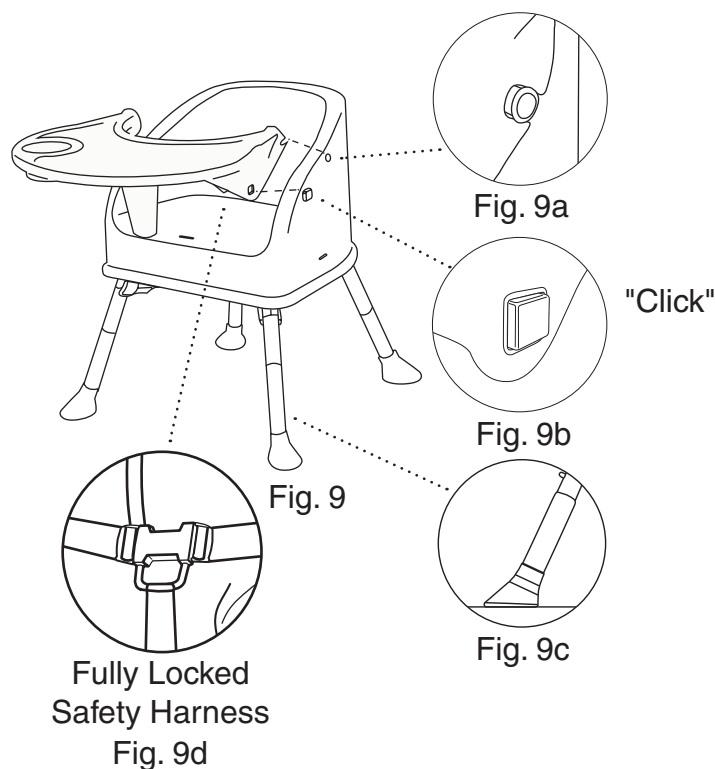
3. Located all (4) feet. Slide each foot onto the bottom of each infant / toddler straight extension tube (Fig. 7)



4. Find all (4) bottom infant / toddler straight extension tubes with feet attached and push into all (4) bent top leg seat tubes (Fig 8). Make sure the push buttons, located at the top of every tube, are securely locked "clicked" in place (Fig 8a). To make sure they are securely locked in place pull upward on extension tube.



5. Flip over infant chair and place on level surface. All (4) feet should be flat against the floor (Fig 9c). Line up left and right child tray grooves with left and right child seat tray posts (Fig 9a). Once tray and tray posts are lined up, rotate tray downward to lock tray over seat tray locking tabs (Fig 9b). Child tray is securely locked in place when seat tray locking tabs "click" into place and are through tray opening. Pull upward on tray to make sure in a fully locked position.



- NOTE: Child must be put into seat and harness must be securely locked in place around child (Fig 9d). Please refer to Fig 4-5 on page 5 for proper use of harness before use.

WARNING

READ ALL INSTRUCTIONS BEFORE ASSEMBLY AND USE OF HIGH CHAIR. KEEP INSTRUCTIONS FOR FUTURE USE. INCORRECT ASSEMBLY MAY MAKE THE HIGH CHAIR UNSAFE. FAILURE TO FOLLOW THESE WARNINGS AND INSTRUCTIONS COULD RESULT IN SERIOUS INJURY OR DEATH.

WARNING! The child should be secured in the high chair at all times by the restraining system, either in the reclining or upright position. The tray is not designed to hold the child in the chair. It is recommended that the high chair be used in the upright position only by children capable of sitting upright unassisted.

WARNING! Prevent serious injury or death from falls or sliding out.

Always secure child in the restraint.

NEVER leave child unattended.

DO NOT use the high chair until the child can sit up unaided.

DO NOT use the high chair unless all components are correctly fitted and adjusted.

WARNING! Make sure that any harness is correctly fitted.

Only use in a flat stable surface.

Ensure your high chair is fully erected before placing your child inside.

Ensure children are clear of all moving parts before making any adjustments.

NEVER move the high chair with your child inside.

NEVER adjust the seat height with child in high chair.

DO NOT allow your child to climb unassisted into, play with or hang onto your high chair. This is not a toy.

CARE AND MAINTENANCE

IMPORTANT! Before assembly or each use of this high chair, inspect this high chair for damaged hardware, loose joints, missing parts or sharp edges. **DO NOT** use if any parts are missing or broken. Never substitute parts. Contact Delta Children's Products Customer Service Department at 1.800.377.3777 for replacement parts and instructions if needed.

HIGH CHAIR ASSEMBLY

NOTE: SEAT COVER IS REVERSIBLE

1. Flip floor seat over to see bottom. (Fig 10).

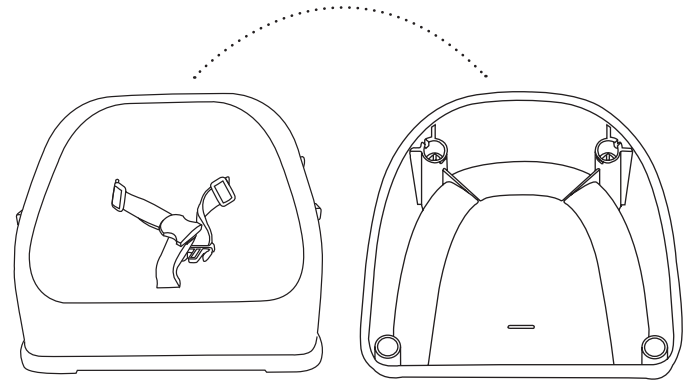


Fig. 10

2. Find the bent top leg seat tube and push all (4) tubes into all (4) tube slots (Fig 11). Make sure the push buttons, located at the top of every tube, are securely locked "clicked" into place. The push buttons should be seen through the seat support posts (Fig 11a). To make sure they are securely locked in place pull upward on bent top leg seat tube.

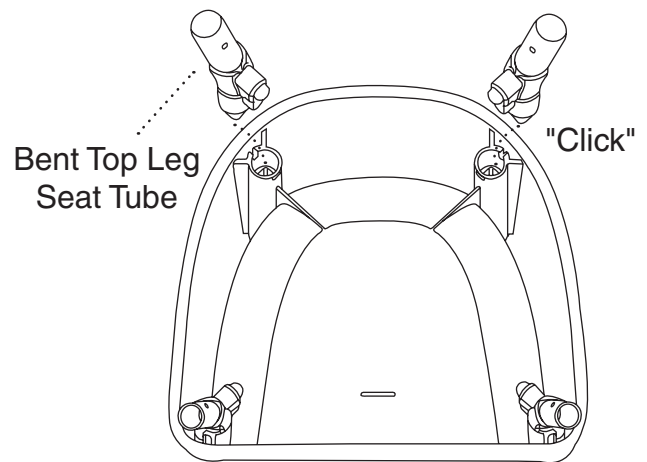
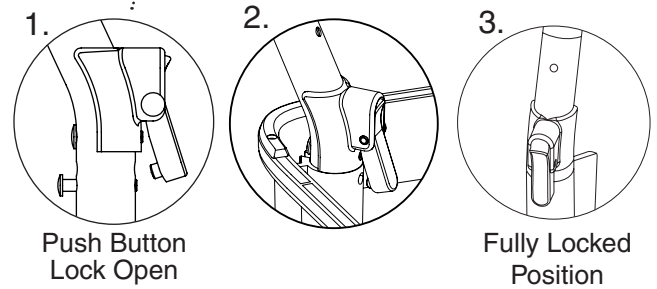


Fig. 11



HIGH CHAIR ASSEMBLY

3. Find all (4) center high chair extension tubes and push into all (4) bent top leg seat tubes (Fig 12). Make sure the push buttons, located at the top of every tube, are securely locked "clicked" in place (Fig 12a). To make sure they are securely locked in place pull upward on extension tube.

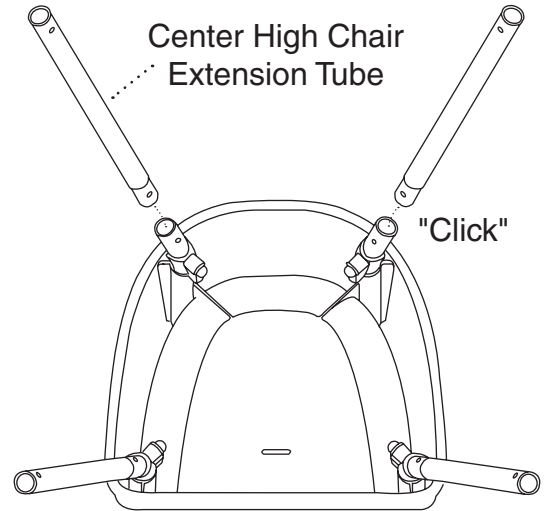
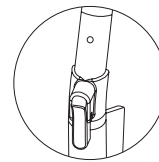


Fig. 12



Fully Locked Position
Fig. 12a

4. Located all (4) feet. Slide each foot onto the bottom of each infant / toddler straight extension tube and place off to side (Fig. 13)

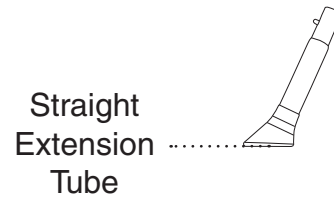


Fig. 13

5. Take all (4) bottom infant / toddler straight extension tubes with feet attached and push into all (4) center high chair extension tubes (Fig 14). Make sure the push buttons, located at the top of every tube, are securely locked "clicked" into place (Fig 14a). To make sure they are securely locked in place pull upward on extension tube.

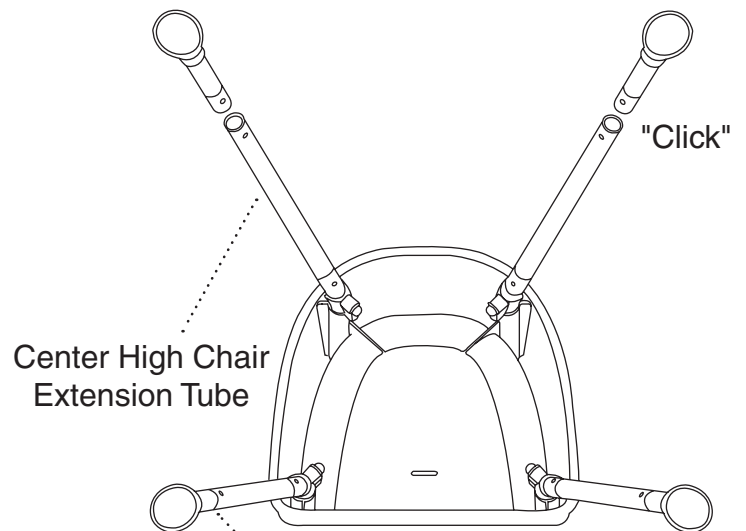


Fig. 14

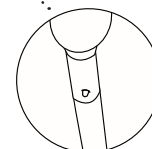
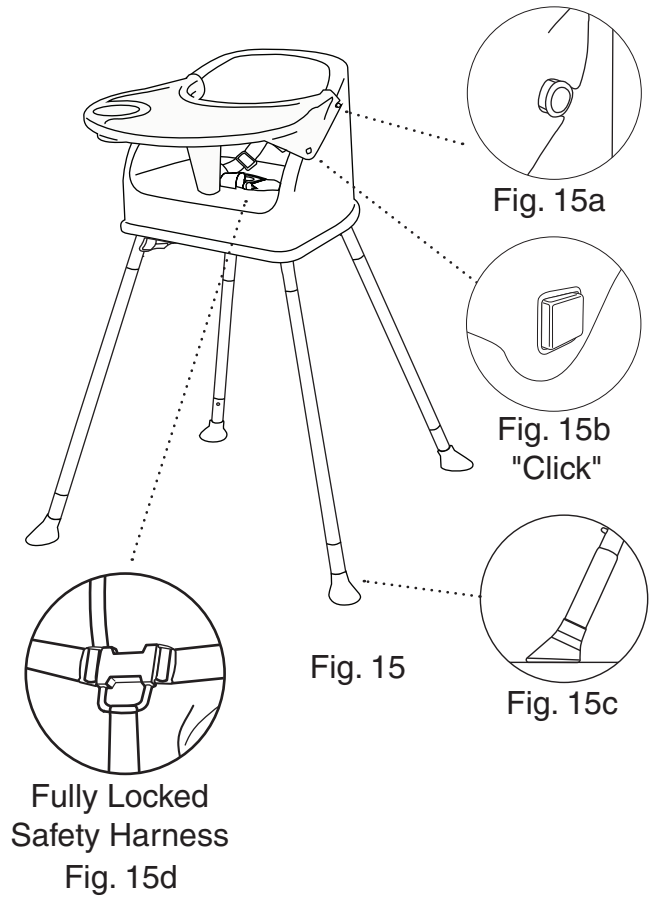


Fig. 14a

HIGH CHAIR ASSEMBLY

6. Flip over high chair and place on level surface. All (4) feet should be flat against the floor (Fig 15c). Line up left and right child tray grooves with left and right child seat tray posts (Fig 15a). Once tray and tray posts are lined up, rotate tray downward to lock tray over seat tray locking tabs (Fig 15b). Child tray is securely locked in place when seat tray locking tabs "click" into place and are through tray opening. Pull upward on tray to make sure in a fully locked position.
- **NOTE:** Child must be put into seat and harness must be securely locked in place around child (Fig 15d). Please refer to Fig 4-5 on page 5 for proper assembly of harness before use.



! WARNING

WARNING: Only use the seat on floor or level ground surface.

WARNING: Never use on raised surfaces such as tables, counters, chairs, beds, or near stairs. Even a belted baby can cause the seat to slide or move off raised surfaces.

WARNING: Always stay with and watch your baby during use.

WARNING: Never use the floor seat in or near water to avoid drowning.

TODDLER CHAIR ASSEMBLY

NOTE: SEAT COVER IS REVERSIBLE

1. Flip floor seat over to see bottom. (Fig 16).

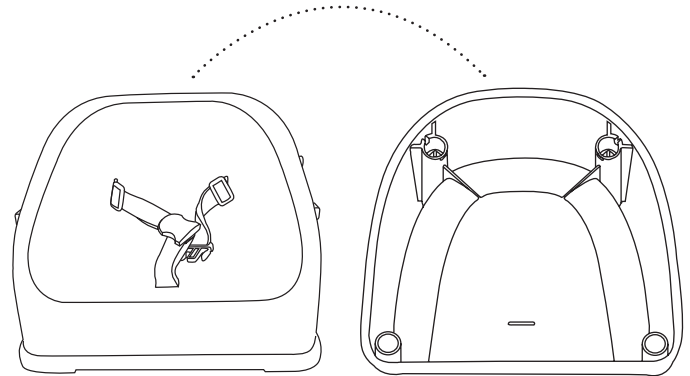


Fig. 16

2. Find the bent top leg seat tube and push all (4) tubes into all (4) tube slots (Fig. 17). Make sure the push buttons, located at the top of every tube, are securely locked "clicked" into place. The push buttons should be seen through the seat support posts (Fig 17a). To make sure they are securely locked in place pull upward on bent top leg seat tube.

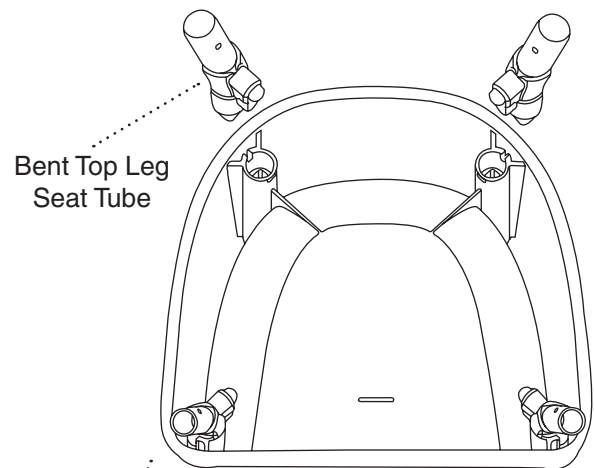
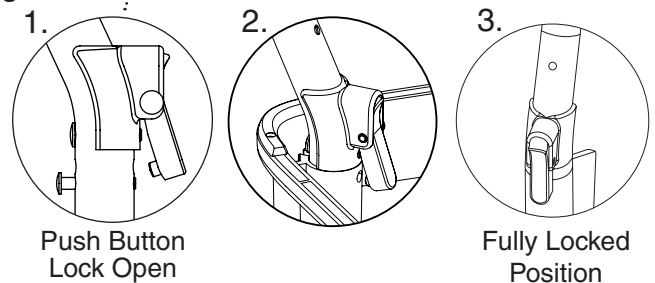


Fig. 17a

Fig. 17

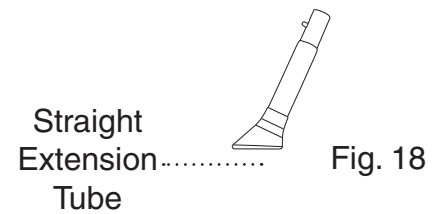


1. Push Button Lock Open

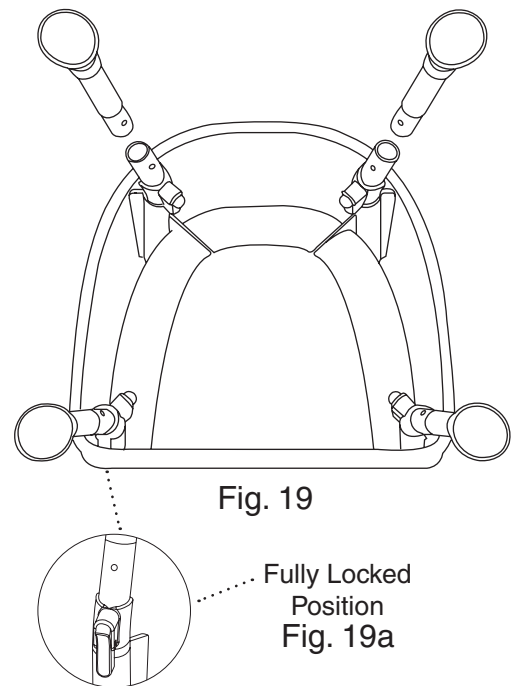
3. Fully Locked Position

TODDLER CHAIR ASSEMBLY

3. Located all (4) feet. Slide each foot onto the bottom of each infant / toddler straight extension tube and place off to side (Fig. 18)



-
4. Find all (4) bottom infant / toddler straight extension tubes and push into all (4) bent top leg seat tubes (Fig 19). Make sure the push buttons, located at the top of every tube, are securely locked "clicked" in place (Fig 19a). To make sure they are securely locked in place pull upward on extension tube.



TODDLER CHAIR ASSEMBLY

5. Flip over toddler chair and place on level surface. All (4) feet should be flat against the floor (Fig 20a). Child safety harness can be removed for toddler chair. Please see figures 4-5 on page 5 on how to removed child safety harness.

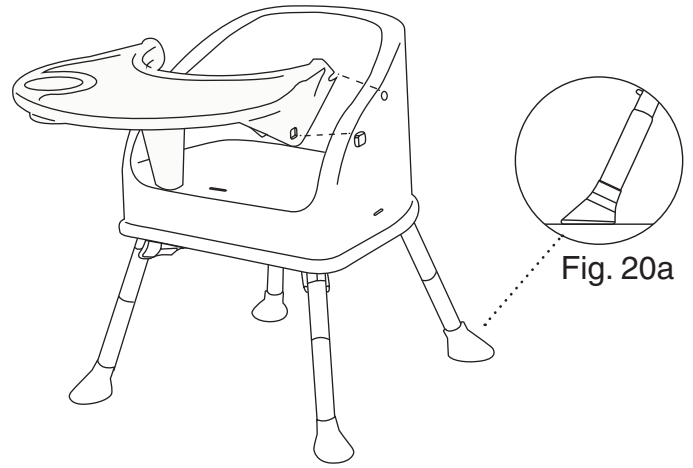


Fig. 20

! WARNING

WARNING: Prevent serious injury or death from sliding out, falls, or tipping over.

WARNING: Never leave child unattended.

WARNING: Never allow a child to push away from table.

WARNING: Secure to adult chair per instructions. Always check security of fit before use.

WARNING: Until child is able to get in and out of the booster seat without help (about 2 1/2 years old) the child should be secured in the booster seat at all times by the restraining system. The tray is not designed to hold the child in the chair.

WARNING: Use of the booster seat with children weighing more than 40 lbs, will cause excessive wear and stress of the booster and may cause hazardous unstable condition to exist.

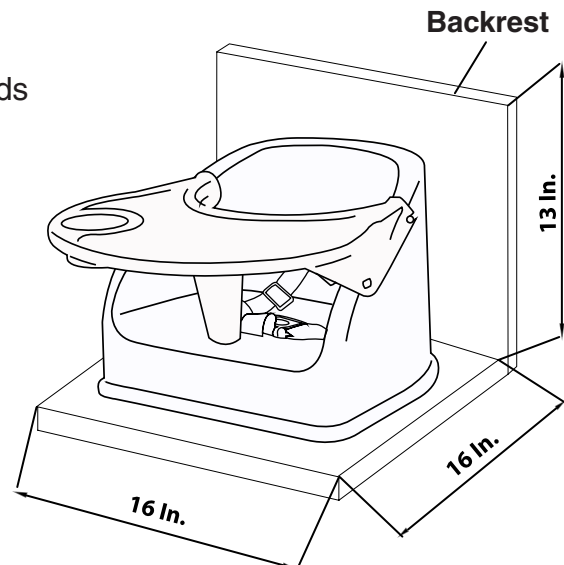
WARNING: Prevent serious injury or death. Do not use in motor vehicles.

WARNING: This booster seat is designed to be attached to an adult chair with minimum dimensions of 16 in. width, 16 in. depth and backrest height of 13 in.

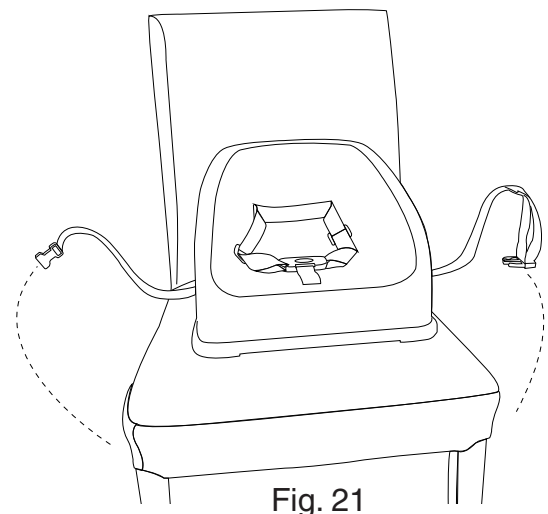
BOOSTER SEAT ASSEMBLY

NOTE: SEAT COVER IS REVERSIBLE

1. Before attaching booster seat to chair the chair needs to meet a certain size requirement as shown in the diagram.



2. Place the booster seat on a chair. Wrap the bottom straps around the bottom of the chair and buckle the straps (Fig 21).



BOOSTER SEAT ASSEMBLY

- When buckles "click", the straps are fully locked. Pull the free end of the strap to tighten on the chair. Check underneath chair to make sure buckles are fully locked (Fig 22).

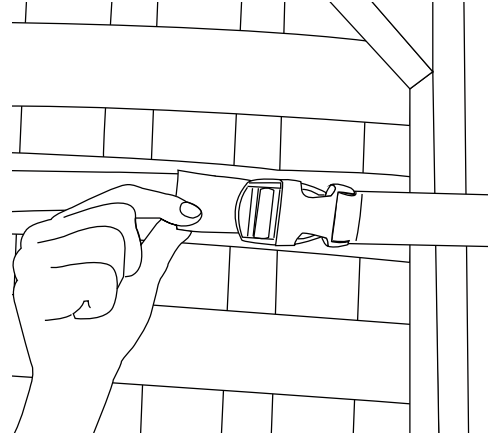


Fig. 22

-
- Wrap the top straps around the back of the chair and buckle the straps (Fig 23).

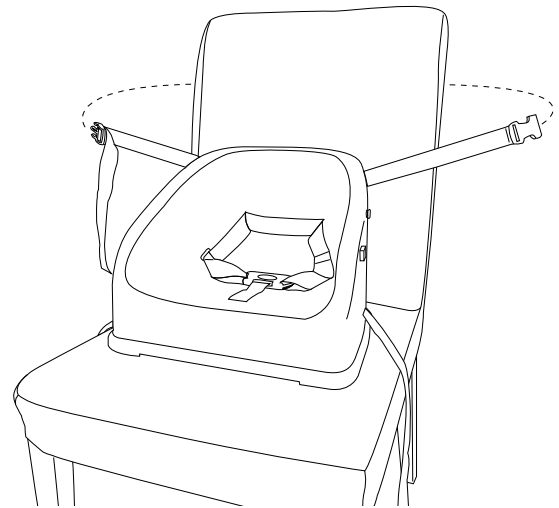


Fig. 23

-
- When buckles "click", the straps are fully locked. Pull the free end of the strap to tighten seat onto the chair. Check behind chair to make sure buckles are fully locked before use (Fig 24). Child harness must be securely locked in place around child before use (Fig 24a).

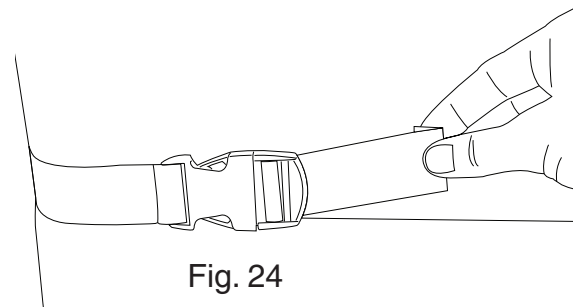
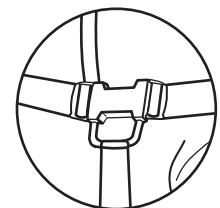


Fig. 24

- NOTE: Child must be put into seat and harness must be securely locked in place around child. Please refer to Fig 4-5 on page 5 for proper assembly of harness before use.



Fully Locked
Safety Harness
Fig. 24a

STORAGE

Located underneath the seat is a storage bag to place unused parts. (Fig. 25)

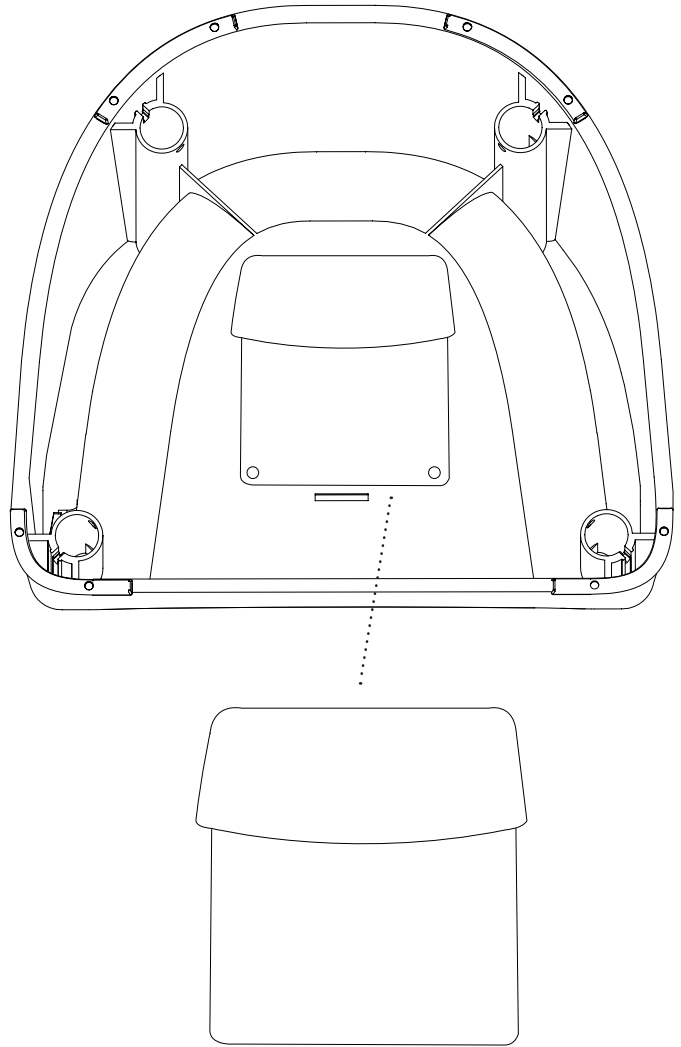


Fig. 25



Delta Childrens Products Corp.
114 West 26th Street
New York, NY 10001
1-800-377-3777
www.deltachildren.com