

WRANGLER 3-IN-1 GROW WITH ME WALKER

Jeep®

INSTRUCTION MANUAL

22508

**ADULT ASSEMBLY REQUIRED
STYLES AND COLORS MAY VARY**

⚠ WARNING: CHOKING HAZARD

Adult assembly required because of small parts. Keep assembly parts out of reach of children under 3 years.



REQUIRED: (x2) "AA" Batteries (not included)
Phillips Screwdriver (not included)

**Read all instructions BEFORE assembly and USE of product
KEEP INSTRUCTIONS FOR FUTURE USE.**

Customer Experience Center
phone: (646) 435-8726
email: gcs@DeltaChildren.com



DELTACHILDREN

www.DeltaChildren.com

DCP-IM-20200525

! WARNING !

Failure to follow these warnings and instructions could result in serious injury or death. Read all instructions before assembling unit.

KEEP INSTRUCTIONS FOR FUTURE USE. DO NOT USE THIS UNIT IF THE INSTRUCTIONS CANNOT BE STRICTLY FOLLOWED.

! WARNING !

WARNING:

- **NEVER** LEAVE CHILD UNATTENDED!
- **ALWAYS** KEEP CHILD IN VIEW WHILE IN WALKER.
- **NEVER** use near stairs or thresholds.
- Before each use clean friction components to maintain stopping performance.
- Strings can cause strangulation! **DO NOT** place items with a string around child's neck, such as hood strings or pacifier cords. **DO NOT** suspend strings over product or attach string to toys.
- To avoid burn injuries, always keep child away from ranges, radiators, hot liquids, space heaters, fireplaces, etc.
- To avoid drowning, never use near pools, bathtubs, etc.
- Always check that surfaces are flat and free of objects that may cause tipping over either indoors or outdoors.

- To reduce chance of child slipping out of seat, always check that both feet of child touch floor.
- Use only for children who can sit upright unassisted and weigh no more than 25 lbs.
- **NEVER** carry walker or adjust height with child in it.
- Walk behind mode is only intended for use by children 9 months - 3 years.
- Not to be used as a ride-on toy when used in the floor toy car mode.

STAIR HAZARD:

**AVOID SERIOUS INJURY OR DEATH
BLOCK STAIRS/STEPS SECURELY
BEFORE USING WALKER.**

- Maximum weight inside storage bin: 3 lbs.
- Tubing frame should always remain in the downward position when walker top tray is removed.
- Tubing frame should remain in locked position when in walker mode.

CARE AND MAINTENANCE

- Wash using mild soap and warm water only. Wipe plastic components dry and air dry seat cover.
- Keep friction components clean to maintain stopping performance



Before returning this product to the store! Let's see if we can assist you!

- **Not sure how to assemble our product?**

Visit our site for easy to follow instructions along with some Tricks and Tips assembly videos <https://www.deltachildren.com/pages/instructions>

- **If you are missing a piece or have a damaged part**

Please contact our Consumer Experience Center for assistance at 646-435-8726 or email gcs@DeltaChildren.com. To better assist you please have your Style# or Model# and Lot# available. This can be found on a white rectangular sticker on your product, on the registration card, and on the product's box.

- **In the event we do not have a replacement part available**

You may need to return your product to the retailer for an exchange or refund.

- **Warranty**

In order to protect your investment, don't forget to register your product. You may also wish to consider purchasing our extended warranty.

Visit <https://www.deltachildren.com/pages/extended-warranty> for more details.

- **Please note:**

“All Final”, “As Is” or Third Party/Liquidator sales are not covered under our Limited Manufacturer Warranty.

DELTA CHILDREN

LIMITED MANUFACTURER WARRANTY

This Delta product is warranted to be free from defects for a period of 90 days from the date of purchase under normal use. If a product is defective during this period, we will at our option repair or replace the defective part or product. This limited warranty extends only to the original retail purchaser and is valid only when supplied with proof of purchase, or if received as a gift, when the registration is on file with Delta.

This limited warranty does not cover the following:

- Products purchased as floor models or samples.
- Items purchased on an “as-is” basis, as a second hand product, or as a resale product.
- Items purchased at a Final sale, a “Going out of Business” sale, or a Liquidation sale. This limited warranty gives you specific legal rights and you may also have other rights which vary from state to state.

This limited warranty gives you specific legal rights and you may also have other rights which vary from state to state.

TO REGISTER YOUR PRODUCT for important safety alerts and updates to your product please visit www.deltachildren.com

TO REPORT A PROBLEM, please log on to www.deltachildren.com and click the Consumer Care Tab, or contact us by phone at (646) 435-8726

Date of Purchase: _____ (you should also keep your receipt)

EXTENDED WARRANTY

DON'T MISS YOUR CHANCE TO BE COVERED FOR ALL OF LIFE'S MISHAPS!

With Delta's Extended Warranty, you're covered for mechanical failure from normal use or if your item stops working due to normal wear and tear, plus all those unexpected surprises.

2 YEARS OF PROTECTION

For Additional Information:

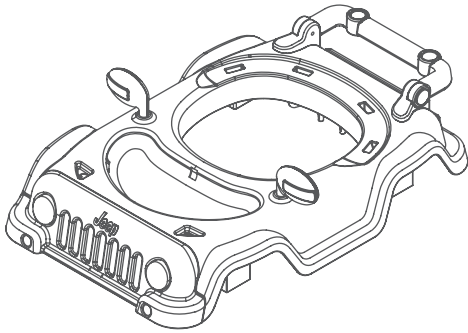
Simply visit our Website, register your product, and add the Extended Warranty

<https://www.deltachildren.com/pages/product-registration>

Extended Warranty only available in the following States: Arkansas, Colorado, Delaware, District of Columbia, Georgia, Idaho, Illinois, Indiana, Iowa, Kansas, Kentucky, Louisiana, Maryland, Michigan, Mississippi, Missouri, Nebraska, Nevada, New Hampshire, New York, North Carolina, North Dakota, Pennsylvania, Rhode Island, South Dakota, Tennessee, Utah, West Virginia

Parts

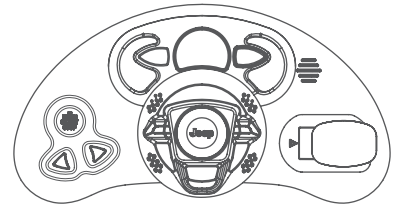
IMPORTANT! Please remove all parts from the package and identify them before assembly.



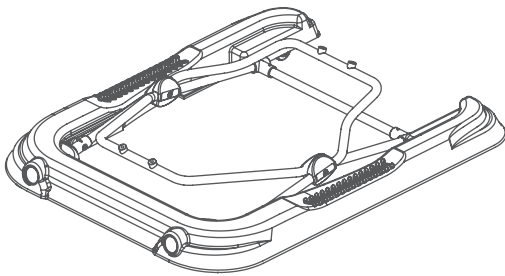
Walker Top Tray



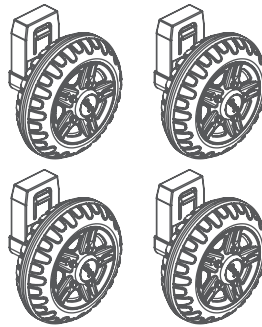
Front Bar



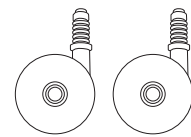
Toy Tray



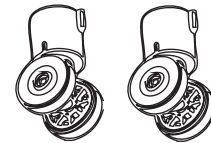
Walker Bottom Base



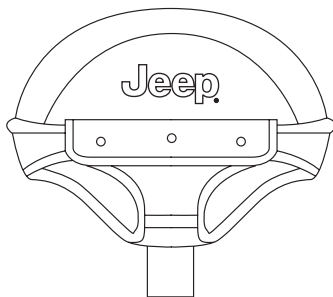
Wheels x4



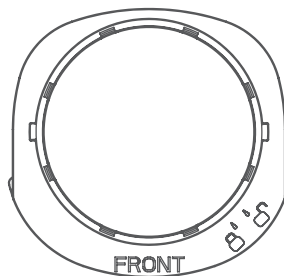
Front Wheels x2



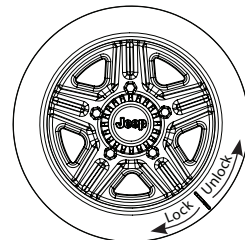
Rear Wheels x2



Seat Pad



Storage Bin



Storage Cap

Battery Safety Information

BATTERY SAFETY INFORMATION

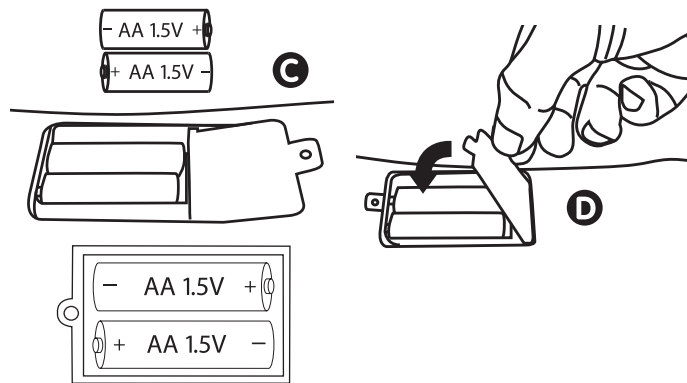
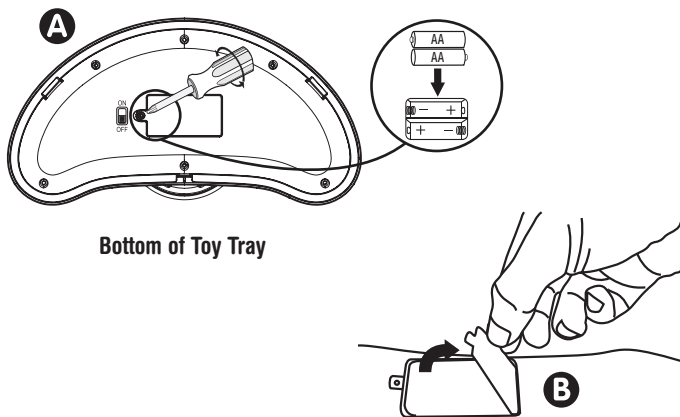
In exceptional circumstances, batteries may leak fluids that can cause a chemical burn injury or ruin your product.

To avoid battery leakage:

- Do not mix old and new batteries or batteries of different types: alkaline, standard (carbon zinc) or rechargeable (nickel-cadmium).
- Insert batteries as indicated inside battery compartment.
- Remove batteries during long periods of non-use. Always remove exhausted batteries from the product. Dispose of batteries safely. Do not dispose of product in a fire. The batteries inside may explode or leak.

- Never short-circuit the battery terminals.
- Use only batteries of the same or equivalent type as recommended.
- Do not charge non-rechargeable batteries.
- Remove rechargeable batteries from the product before charging.
- If removable, rechargeable batteries are used, they are only to be charged under adult supervision.
- When discarding batteries, be sure to dispose of them in the proper manner, according to your state and local regulations.

Inserting Batteries



1

Opening Battery Compartment

- Locate the toy tray.
- Locate toy tray lock tab on the bottom of the toy tray.
- Use a Phillips head screw driver to **A** unfasten the battery cover.
- **B** Lift cover to open battery compartment.

2

Inserting Batteries

- **C** Insert AA batteries (x2) as shown in the picture.
- **D** Close battery cover. Use a Phillips head screw driver to fasten the battery cover closed.

Walker Assembly

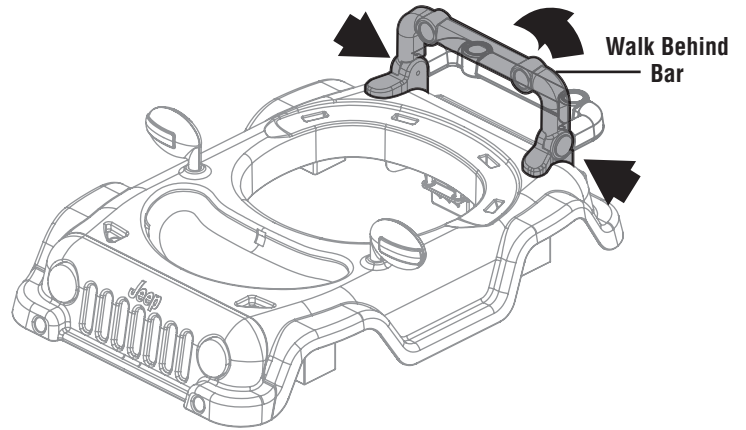
1

WARNING:

Walk Behind Mode is only intended for use by children 9 months - 3 years.

Walk Behind Bar (For Walk Behind Mode)

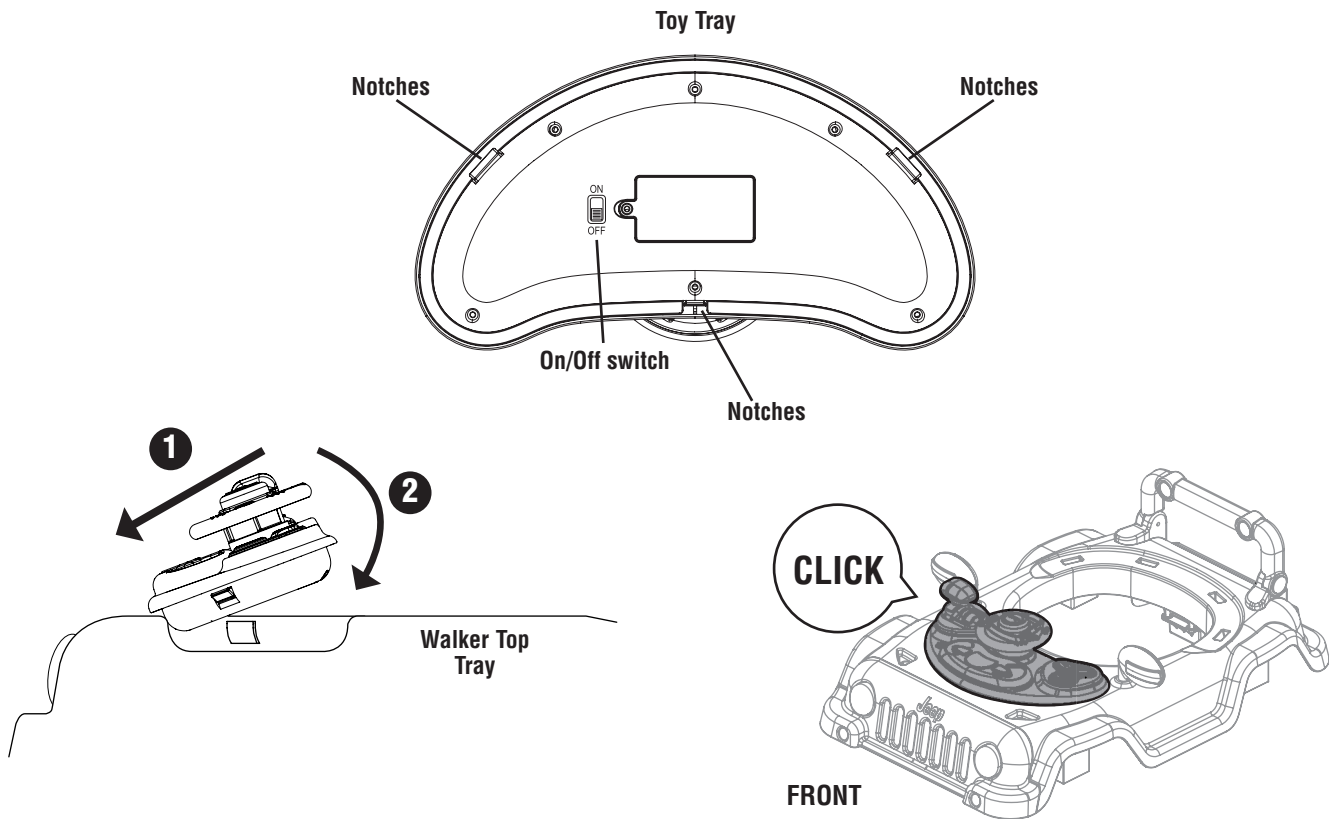
- Locate the walk behind bar.
- Press the two side buttons to adjust height up and down.
- For Walk Behind Mode, rotate handle into an upright position.



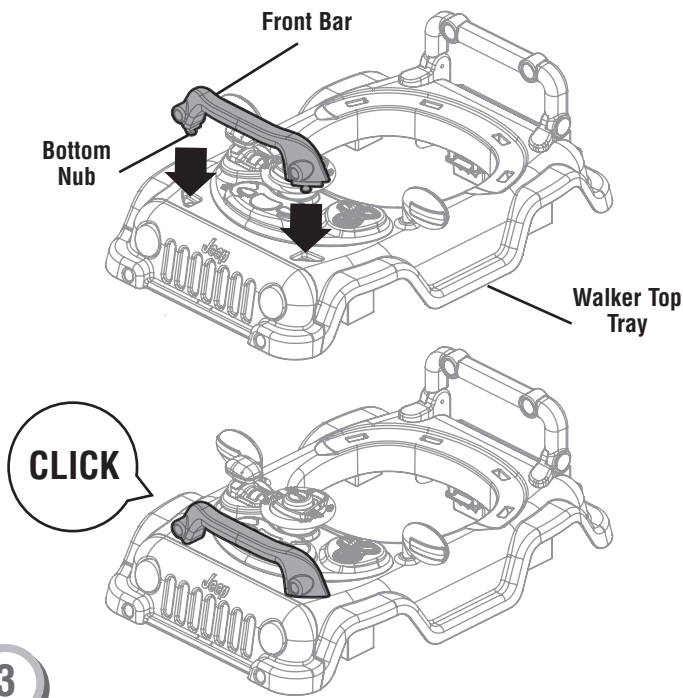
2

Attaching Toy Tray

- Place the toy tray into the recess on the top tray, front side first **1** then push the back down **2** you will hear a “click” when the notches are engaged.
 - Pull upward on the toy tray to assure it is in a fully locked position.
 - To release, press the notches in from underneath the tray.
- *NOTE: On/Off switch is located on the underside of the toy tray

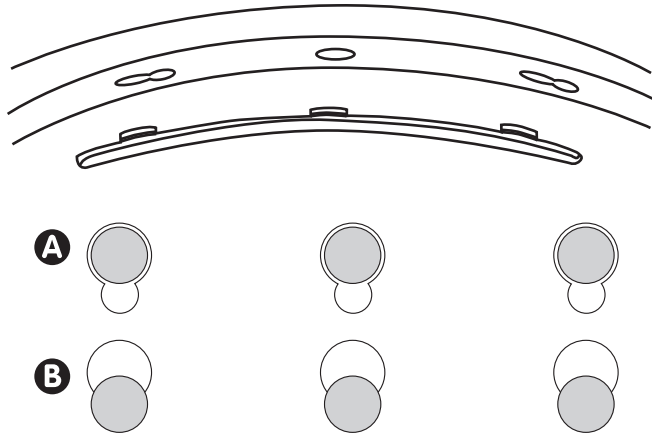


Walker Assembly



Attaching Front Bar

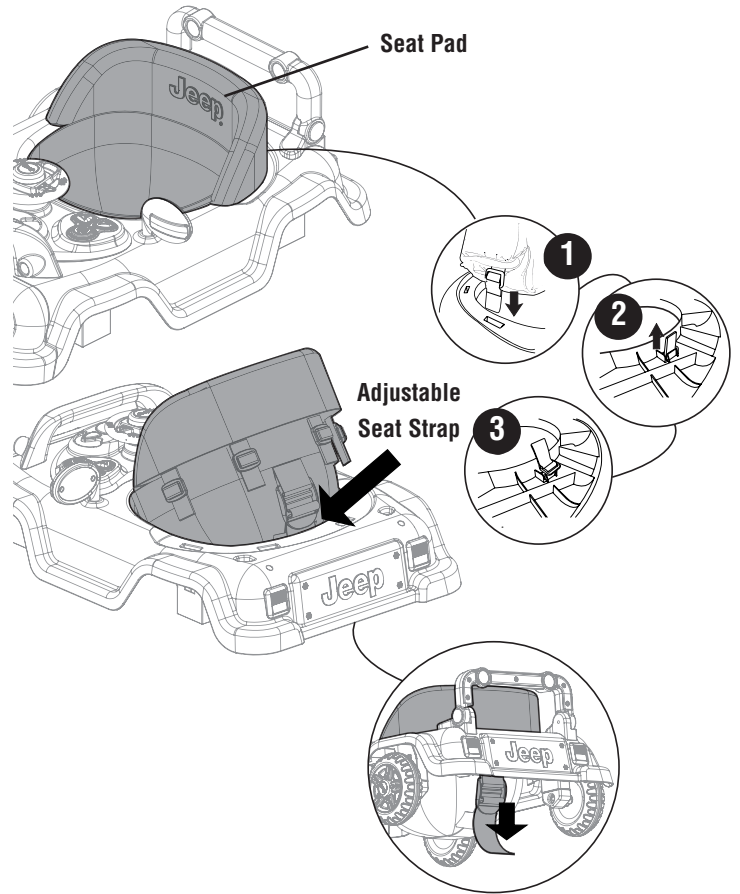
- Align the two bottom nubs of front bar to top tray recesses and press down until it clicks.
- Pull upward on front bar to assure it is in a fully locked position.



4

Attaching Seat Pad

- **A** Insert firstly three outer pins built-in at the fastening parts to the round hole at the upper tray as illustrated.
- **B** Move the plastic fastening panel downward to the lowest position of holes to complete the assembly.



5

- Insert the 4 tabs on the seat pad into the slots located around the seat ring. Slide tabs through inserts. Turn tray upside down, pull tabs and align into grooves.

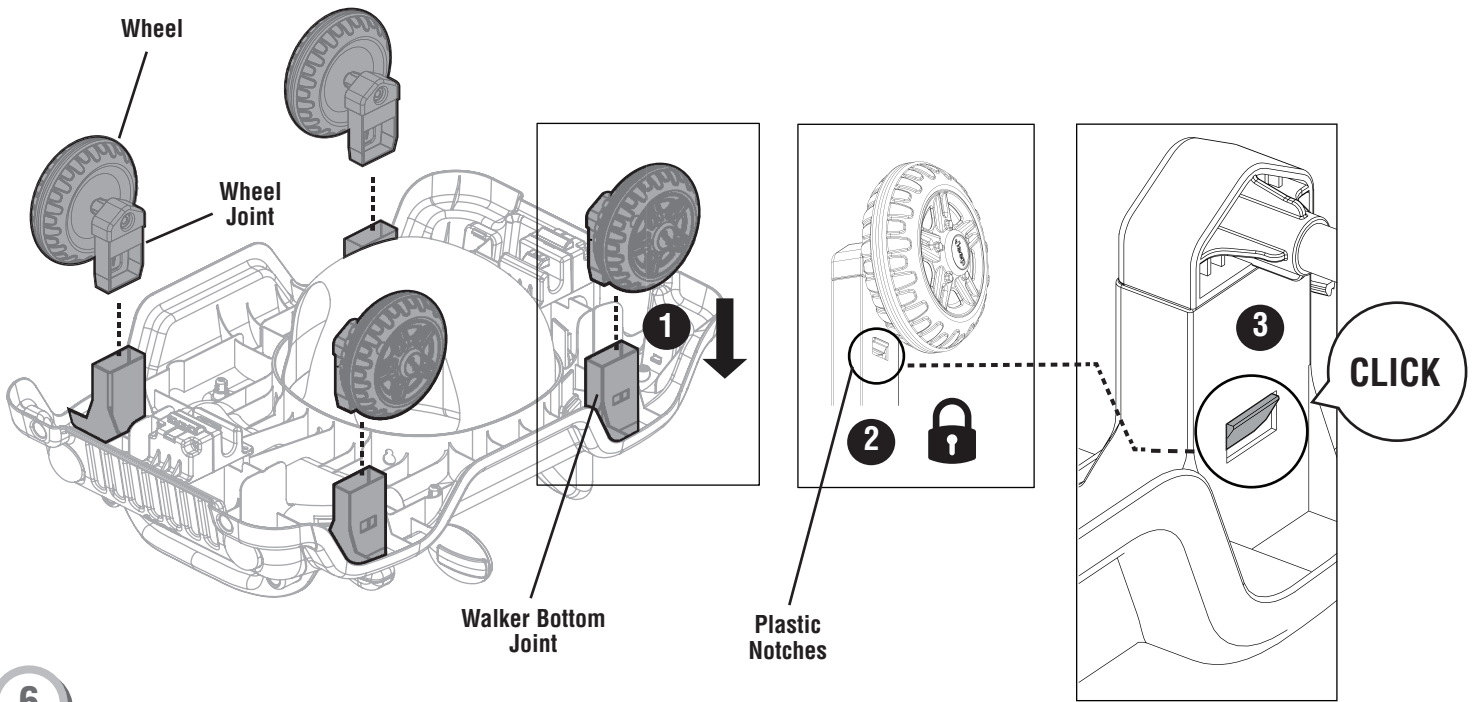
NOTE: Push tabs from top of walker to securely fasten.

NOTE: Push down on the seating area of seat pad to ensure seat is securely in place.

NOTE: Adjustable seat strap should always be tucked into the seat hole and placed underneath car.

WARNING: DO NOT use walker if all tabs are not secured properly.

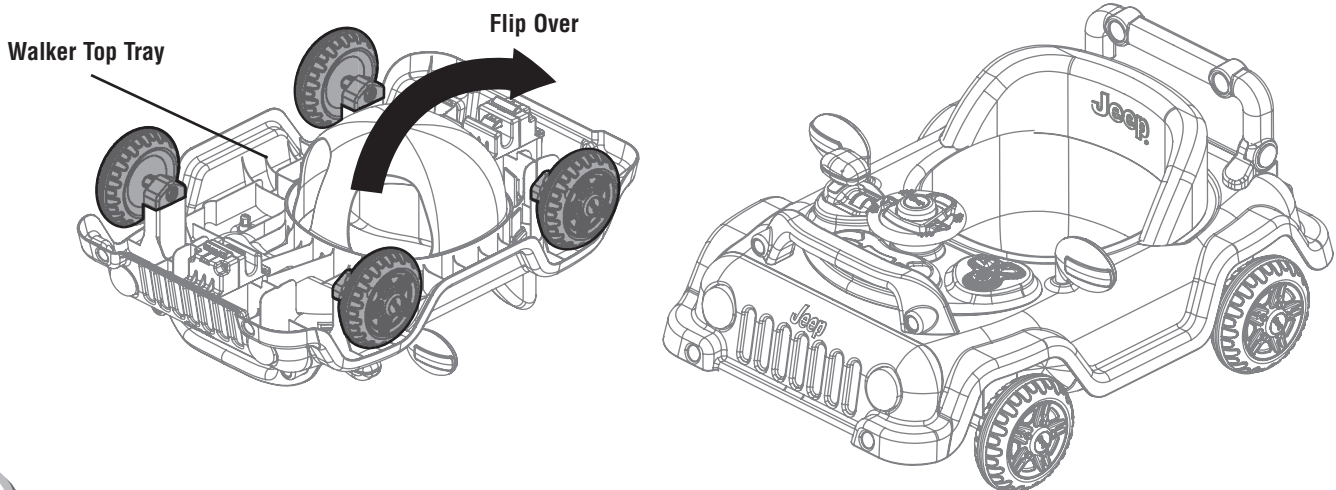
Walker Top Tray Assembly



6

Attaching Wheels to Walker Top Tray

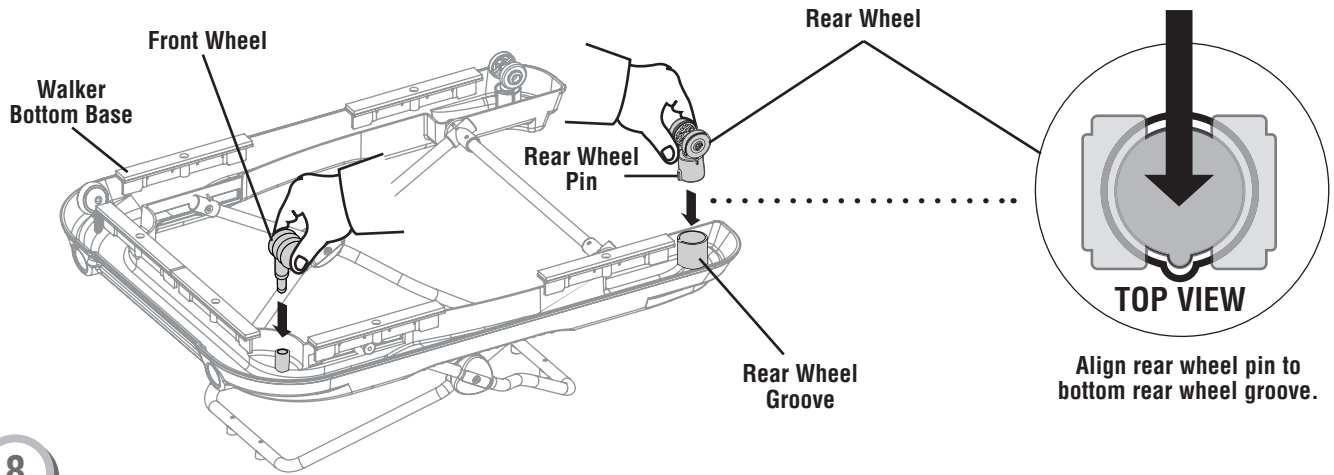
- Locate x4 wheels.
- Align wheels so plastic notches are facing outward of walker.
- Insert the wheel joint into the walker bottom housing and push down until the plastic notches engage.
- Pull upward on wheels to assure they are in a fully locked position.



7

- Completed assembly of wheels.
- Flip over entire walker top tray for next step.

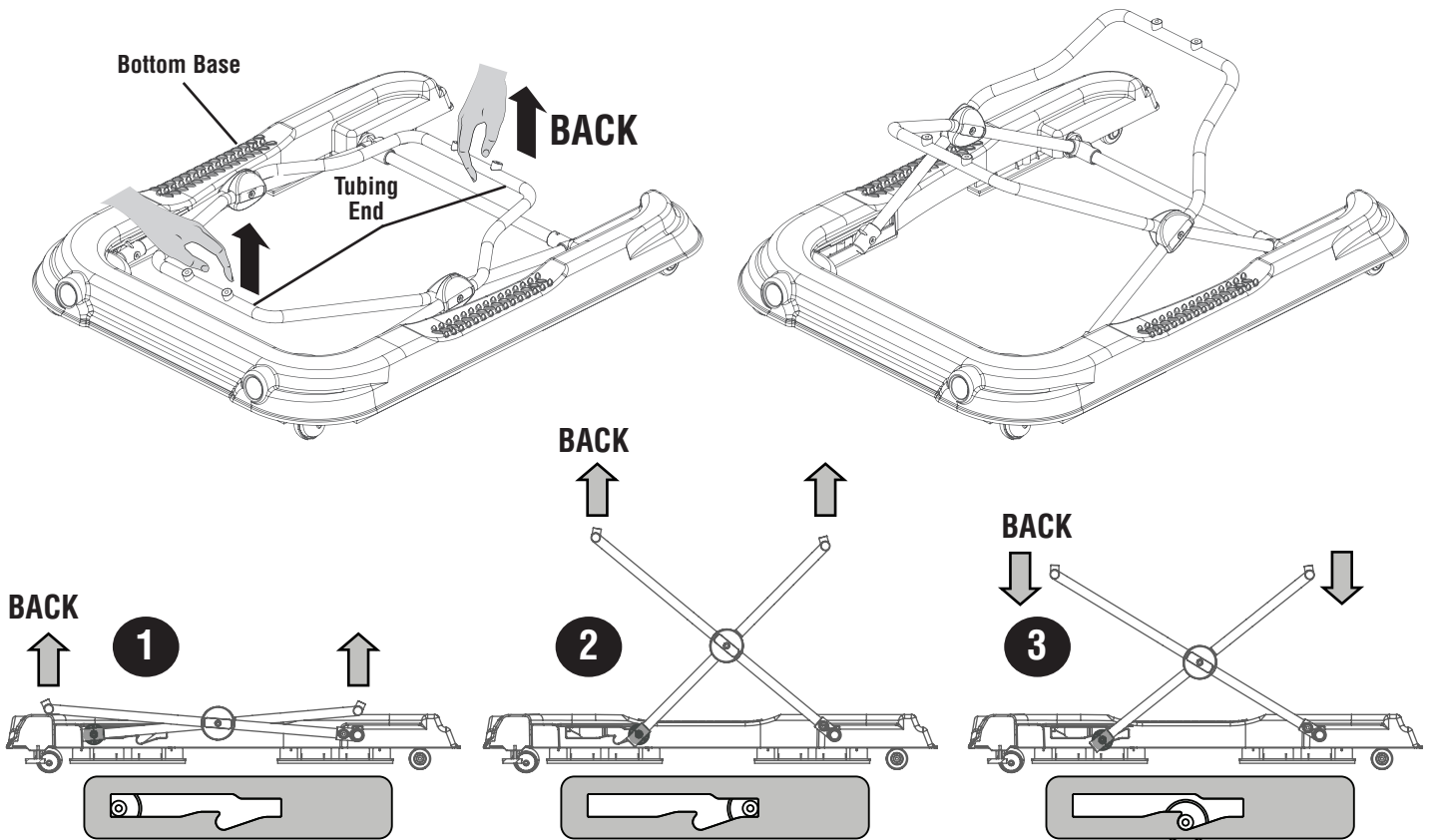
Walker Bottom Base Assembly



8

Attaching Wheels to Walker Bottom Base

- Locate front wheels and walker bottom base.
- Place the walker bottom base on a solid flat surface with the bottom facing upwards.
- Insert the pins of the front wheels into their housings until they click into position.
- Pull upward on wheels to assure they are properly inserted, and in a fully locked position.
- Locate rear wheels and walker bottom base.
- Align rear wheel pin to bottom rear wheel groove and insert.
- Pull upward on wheels to assure they are properly inserted, and in a fully locked position.



9

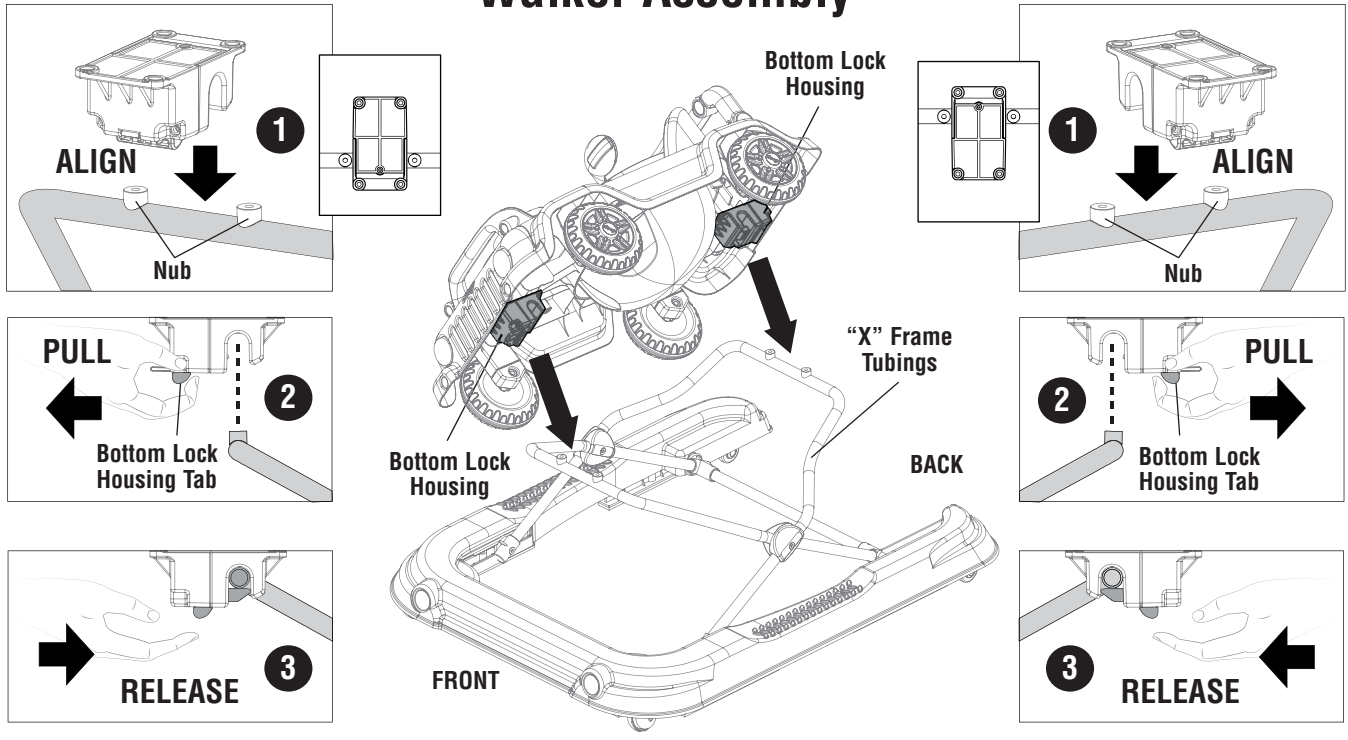
1 Hold both ends of tubing and pull upward.

2 When pulling tubing, bottom slot joint should fully extend to the back.

3 Release both ends of tubing to allow slot joint to lock in place on hook. Push downward to make sure it is in a fully locked position.

- Locate both ends the tubing frame on the bottom base and pull upward into a fully assembled position. Follow 1, 2 and 3 steps.

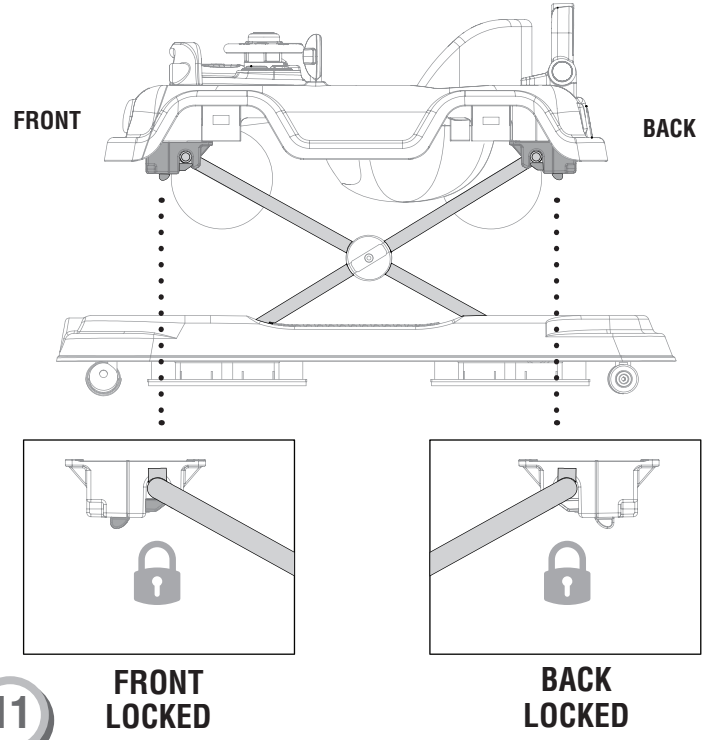
Walker Assembly



10

Attaching Walker Top Tray

- **1** Align bottom lock housings in between the 2 nubs of "X" Frame Tubing. Make sure walker top tray is facing FRONT position, by aligning the front sticker located on the x frame tubings and the walker top tray.
- **2** Pull both bottom lock housing tabs and clip lock housings on top of tubing.
- **3** Once both lock housings are clipped on "X" frame tubing, release the lock housing tabs.



11

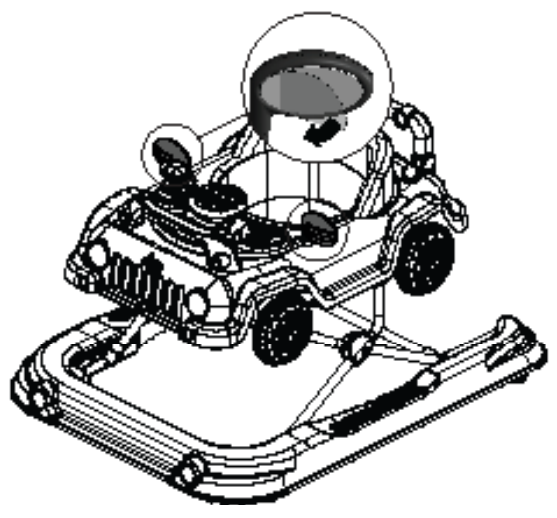
Locking Walker Top Tray

- To make sure top tray is locked, lock tab should be fully extended trapping the tubing frame.

NOTE: Pull up top tray to ensure it is securely locked.
 WARNING: DO NOT use walker if walker top tray is not fully locked.

WARNING:
 Walker Mode is only intended for use by children 6 months - 12 months.
 Please remove clear plastic film from both mirrors before using Walker.

12

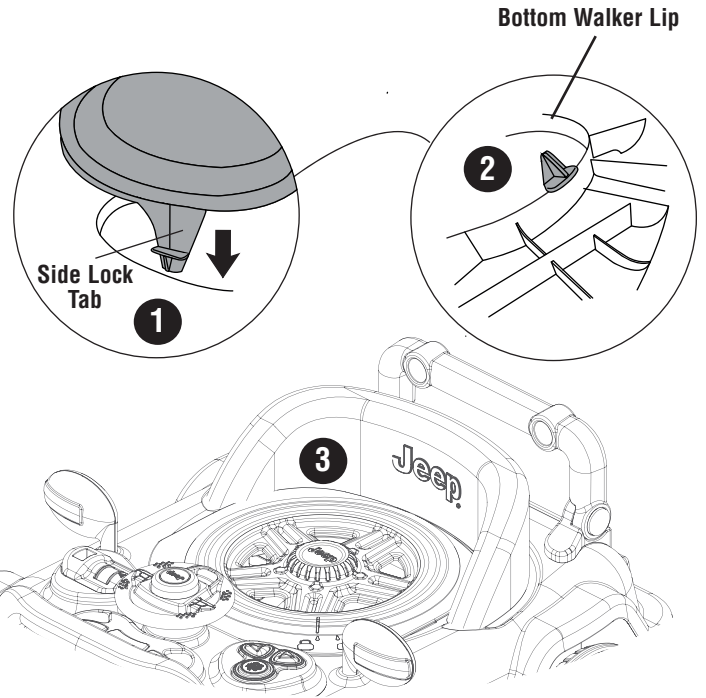
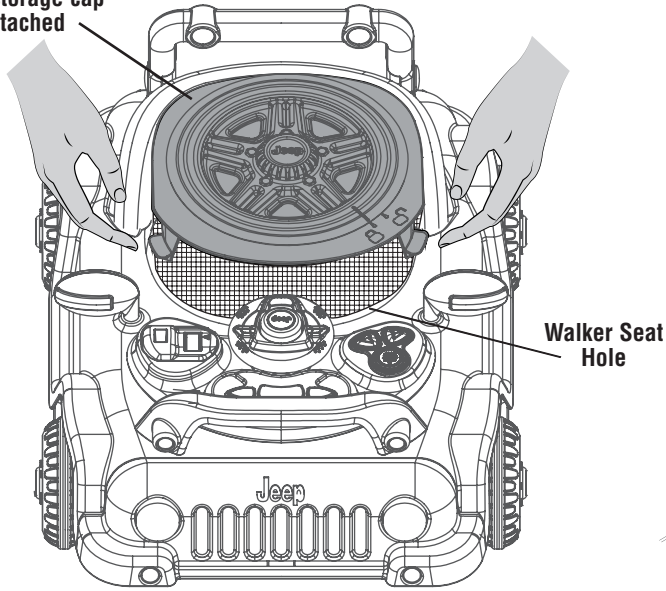


- Completed Walker Assembly.
- NOTE: Please remove clear plastic film from both mirrors before using walker.

Storage Bin Assembly

! WARNING:
Floor Toy Car Mode is not to be used as a ride-on toy.

Storage Bin
with storage cap
attached



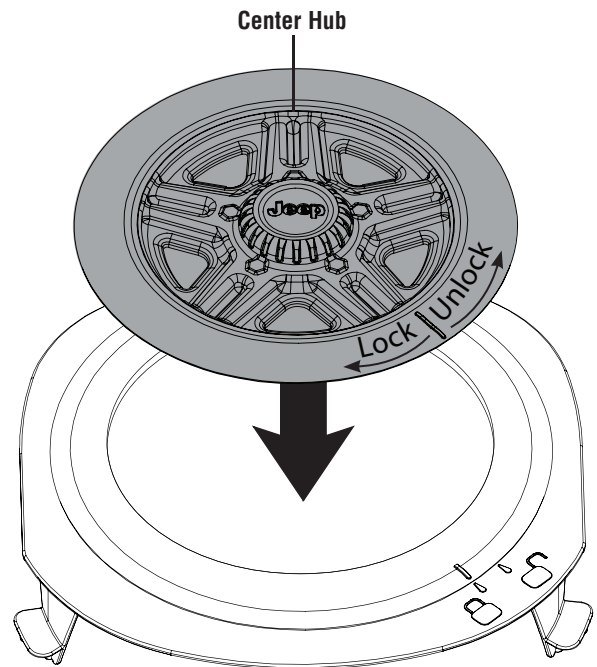
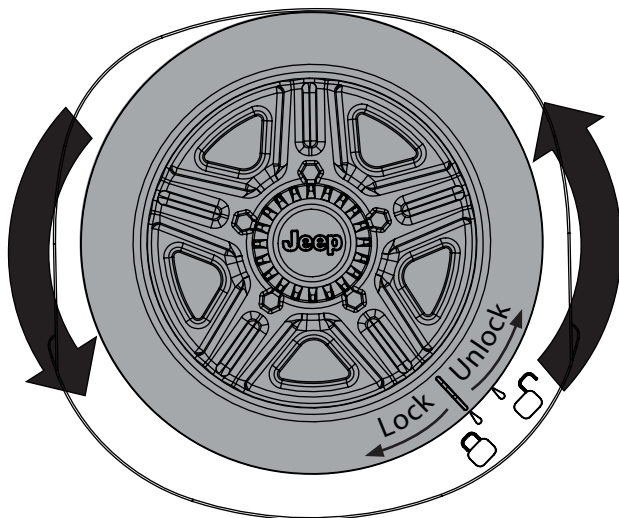
1

Attaching Storage Bin

- Locate Storage Bin and Storage Cap.
- Press side lock tabs inward and press down into walker seat hole until bottom side locks should catch on to bottom walker lip.

NOTE: To remove storage cap, locate side lock tabs and push inward to release.

NOTE: To remove mesh from storage bin, pull upwards until fully released.

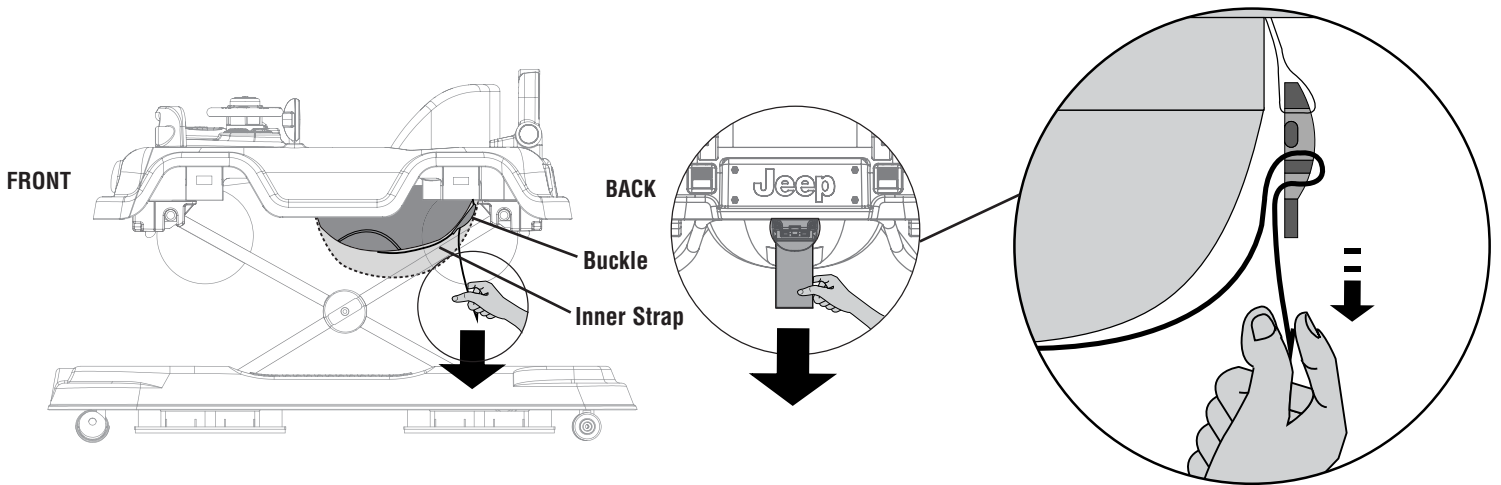


2

Locking / Unlocking Storage Cap

- To unlock storage cap, twist center hub counter clockwise until center hub dash lines up with the unlock symbol.
- To lock storage cap, twist center hub clockwise until center hub dash lines up with the lock symbol.

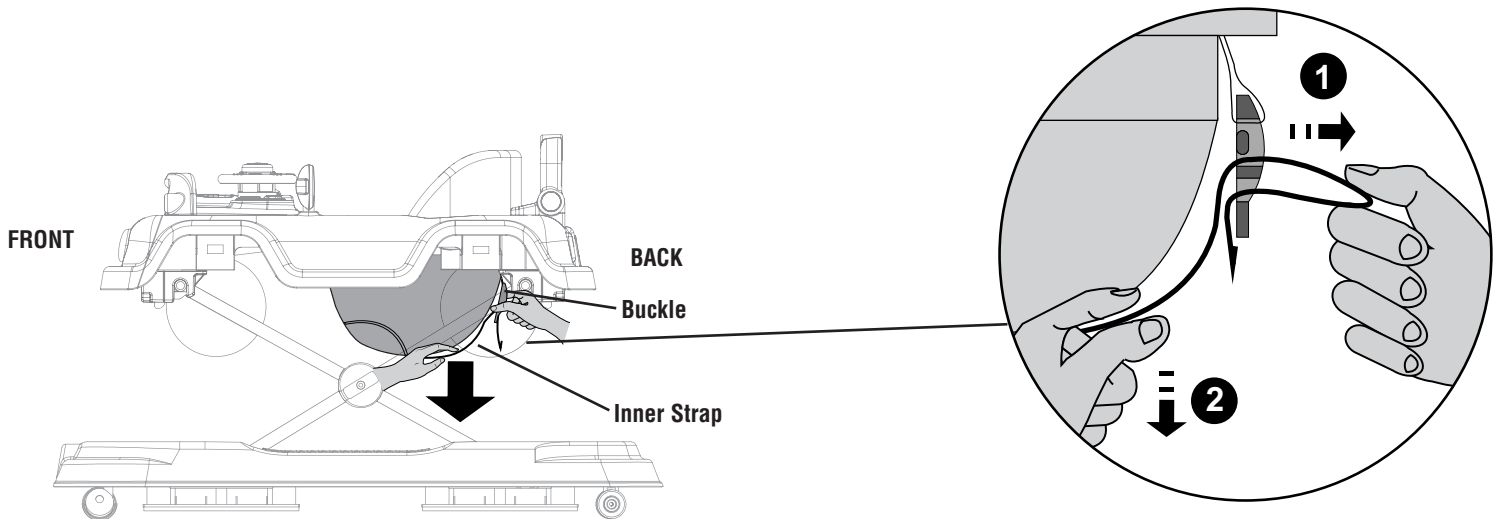
Seat Height Adjustability



A

To Increase Seat Height

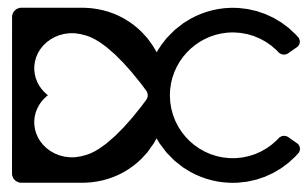
To increase the height of the seating position, Pull Strap Downwards.



B

To Lower Seat Height

To lower the height of the seating position, hold buckle with one hand and pull inner strap downward.



DELTACHILDREN

Delta Children's Products Corp.

114 West 26th Street
New York, NY 10001
646-435-8726
www.DeltaChildren.com